

US00D503915S

(12) **United States Design Patent**
Markefka

(10) **Patent No.:** **US D503,915 S**
(45) **Date of Patent:** **** Apr. 12, 2005**

(54) **FRONT FACE OF A VEHICLE WHEEL**

(75) **Inventor:** **Marc Michael Markefka, Munich (DE)**

(73) **Assignee:** **Bayerische Motoren Werke Aktiengesellschaft, Munich (DE)**

(**) **Term:** **14 Years**

(21) **Appl. No.:** **29/188,667**

(22) **Filed:** **Aug. 22, 2003**

(30) **Foreign Application Priority Data**

Feb. 25, 2003 (DE) 4 03 01 698

(51) **LOC (7) Cl.** **12-16**

(52) **U.S. Cl.** **D12/209**

(58) **Field of Search** D12/204-213;
301/37.101, 64.101, 65

(56) **References Cited**

U.S. PATENT DOCUMENTS

- D419,941 S * 2/2000 Chung D12/209
- D432,069 S * 10/2000 Chung D12/209
- D453,722 S * 2/2002 Fitzgerald D12/209

- D457,847 S * 5/2002 Neeper D12/209
- D461,754 S * 8/2002 Hoshino D12/209
- D466,852 S * 12/2002 Pfeiffer et al. D12/211
- D480,031 S * 9/2003 Mattin et al. D12/209
- D487,568 S * 3/2004 Min D12/209
- D487,882 S * 3/2004 Cahyono D12/209
- D493,405 S * 7/2004 Boyer D12/211
- D497,132 S * 10/2004 Lee D12/209

* cited by examiner

Primary Examiner—Stacia Cadmus

(74) *Attorney, Agent, or Firm*—Crowell & Moring LLP

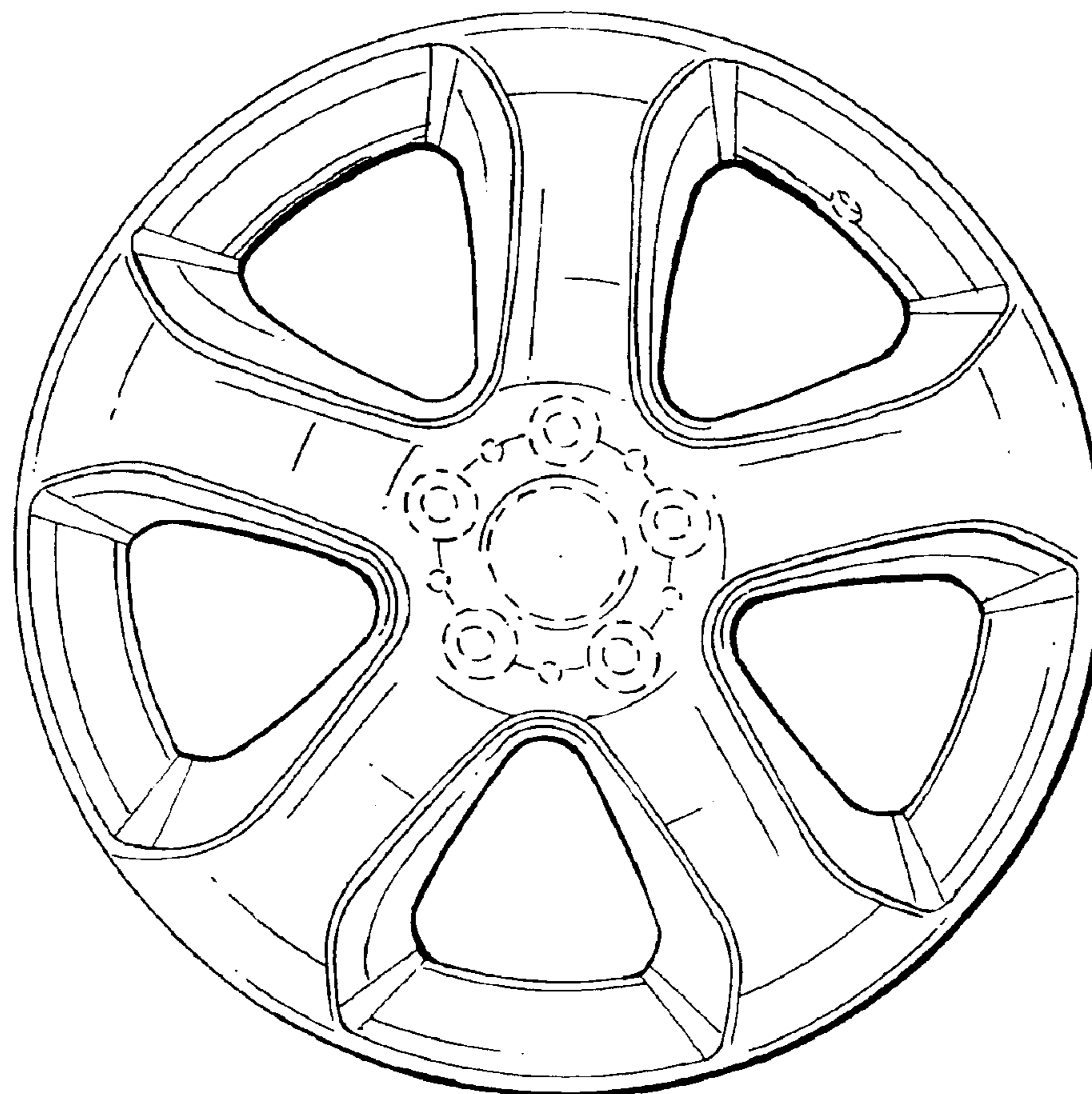
(57) **CLAIM**

The ornamental design for a front face of a vehicle wheel, as shown and described.

DESCRIPTION

FIG. 1 is a front view of a front face of a vehicle wheel according to my novel design; and, FIG. 2 is a perspective view of the front face of a vehicle wheel according to my novel design. The broken lines are for illustrative purposes only and form no part of the claimed design.

1 Claim, 1 Drawing Sheet



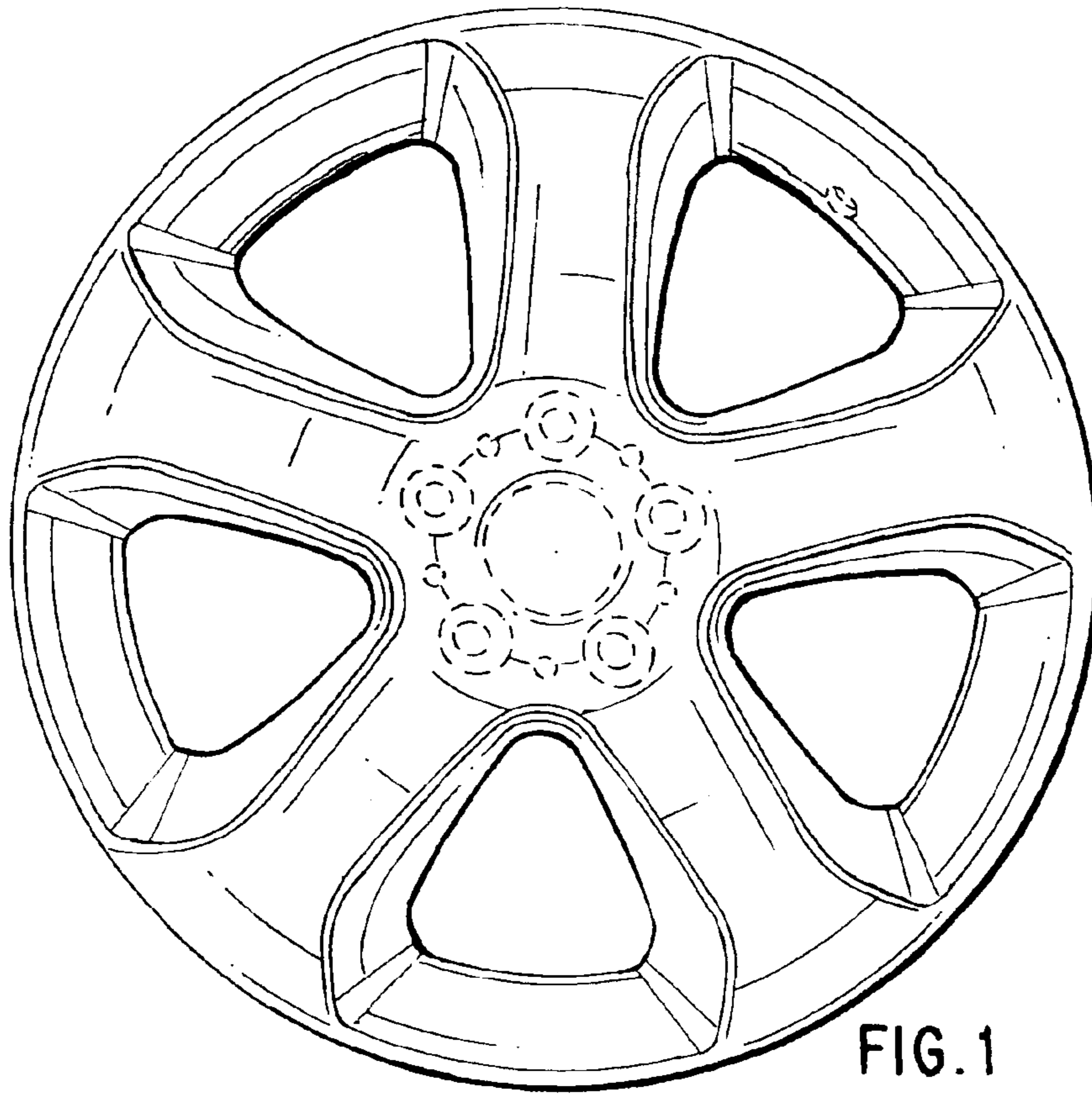


FIG. 1

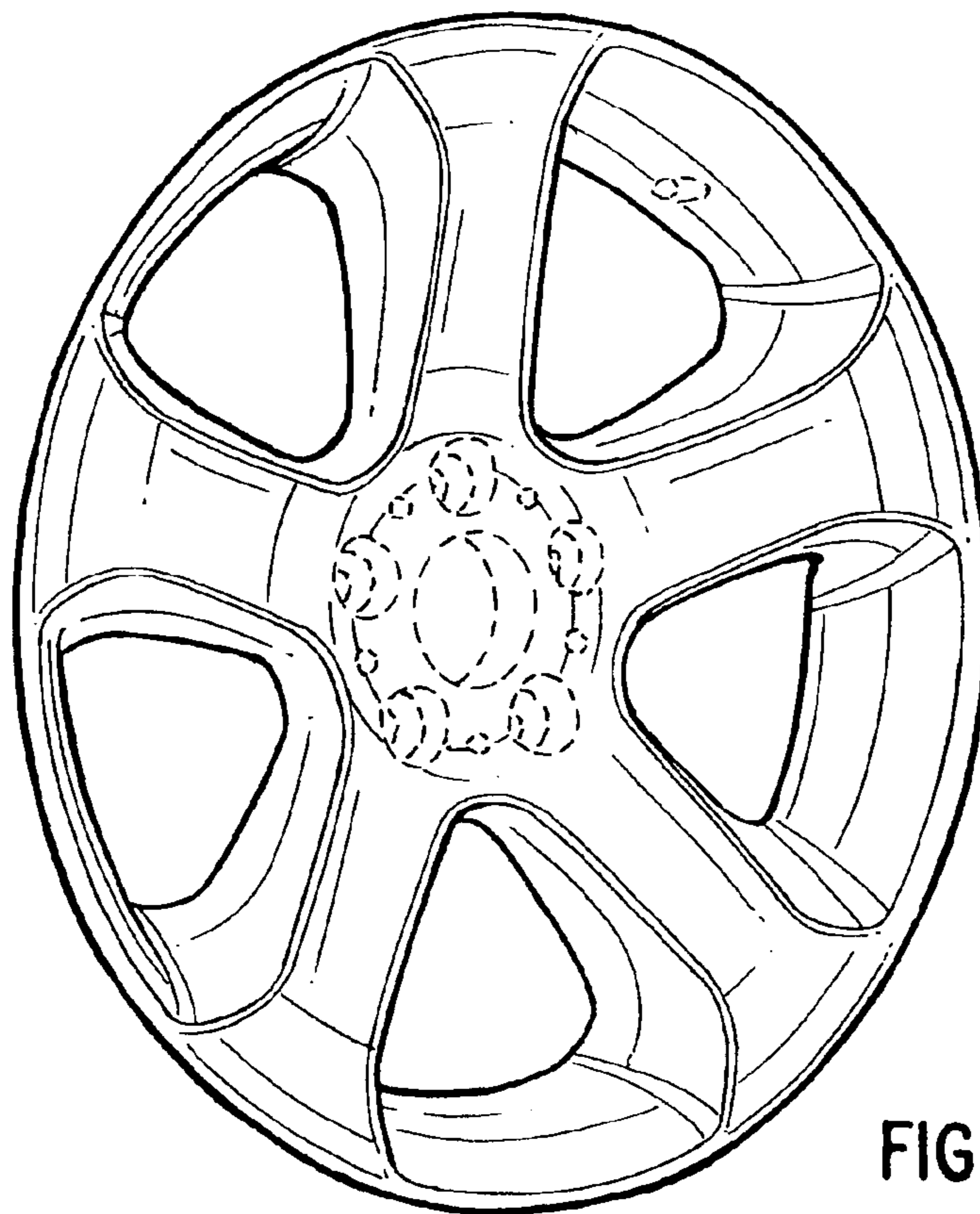


FIG. 2