

US00D503910S

(12) **United States Design Patent**
Oertel et al.

(10) **Patent No.: US D503,910 S**

(45) **Date of Patent: ** Apr. 12, 2005**

(54) **SURFACE CONFIGURATION OF A VEHICLE SPOILER**

(75) Inventors: **Hans-Michael Oertel**, Stuttgart (DE);
Christian Mahler, Stuttgart (DE)

(73) Assignee: **DaimlerChrysler AG**, Stuttgart (DE)

(**) Term: **14 Years**

(21) Appl. No.: **29/201,343**

(22) Filed: **Mar. 15, 2004**

(30) **Foreign Application Priority Data**

Sep. 16, 2003 (DE) 403 06 033

(51) **LOC (7) Cl.** **12-08**

(52) **U.S. Cl.** **D12/181**

(58) **Field of Search** D12/181, 191,
D12/196, 400; 160/133, 161, DIG. 1; 280/848;
296/180.1–180.5, 280.3, 208, 82; 180/903

(56) **References Cited**

U.S. PATENT DOCUMENTS

D278,046 S * 3/1985 Kerschbaum D12/181
D319,613 S * 9/1991 Mikawa D12/181
D356,770 S * 3/1995 Almen D12/181

D420,314 S * 2/2000 Kulla et al. D12/181
D422,544 S * 4/2000 Carlson et al. D12/181
D495,636 S * 9/2004 Iwata D12/181
D498,720 S * 11/2004 Dyson et al. D12/181

* cited by examiner

Primary Examiner—Stacia Cadmus

(74) *Attorney, Agent, or Firm*—Crowell & Moring LLP

(57) **CLAIM**

The ornamental design for a surface configuration of a vehicle spoiler, as shown and described.

DESCRIPTION

FIG. 1 is a front view of a surface configuration of a vehicle spoiler according to our novel design;

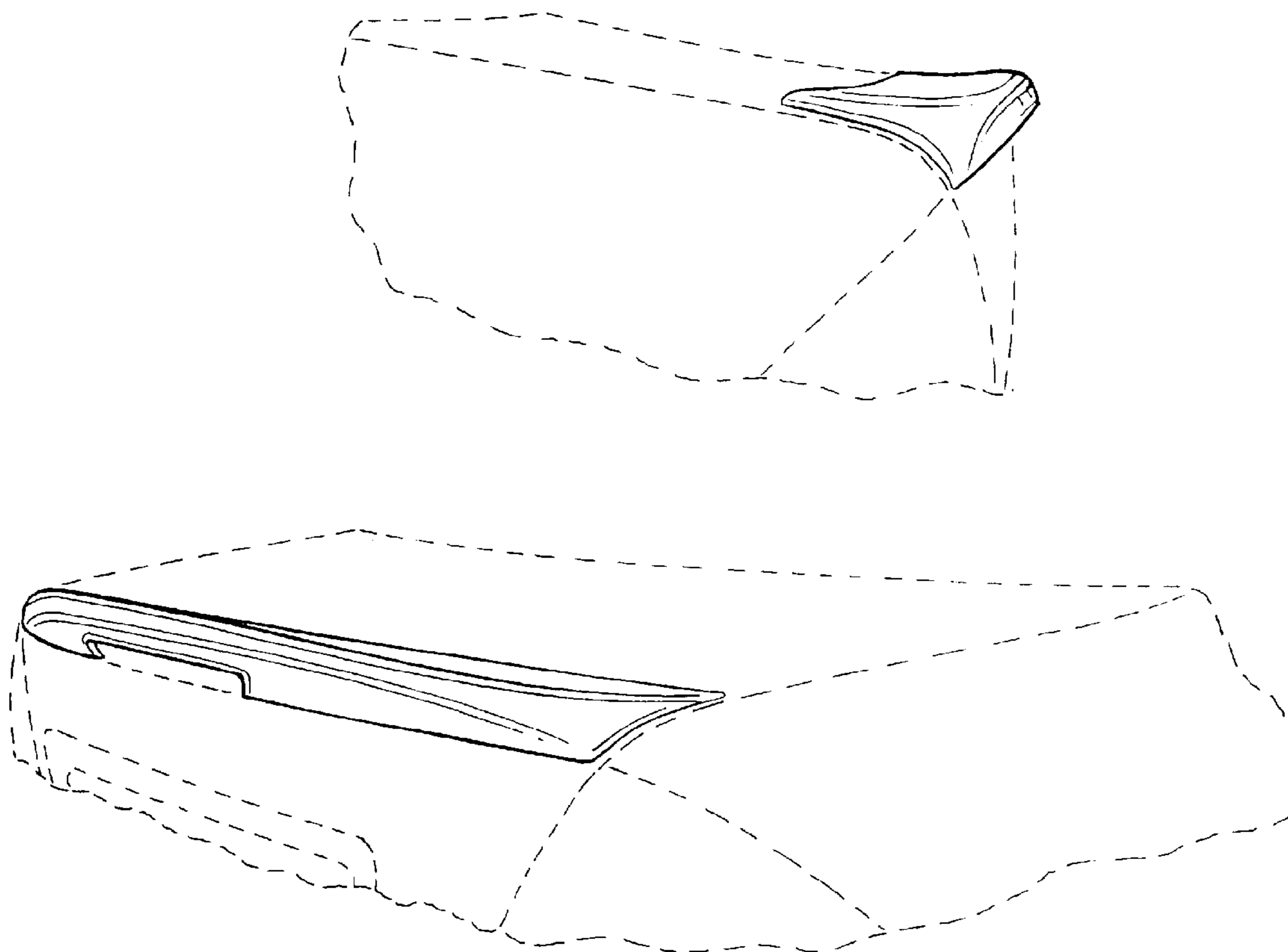
FIG. 2 is a left side view of the surface configuration of a vehicle spoiler according to our novel design, the right side view being mirror symmetrical;

FIG. 3 is a top view of the surface configuration of a vehicle spoiler according to our novel design; and,

FIG. 4 is a right perspective view of the surface configuration of a vehicle spoiler according to our novel design, the left perspective view being mirror symmetrical.

The broken lines are for illustrative purposes only and form no part of the claimed design.

1 Claim, 2 Drawing Sheets



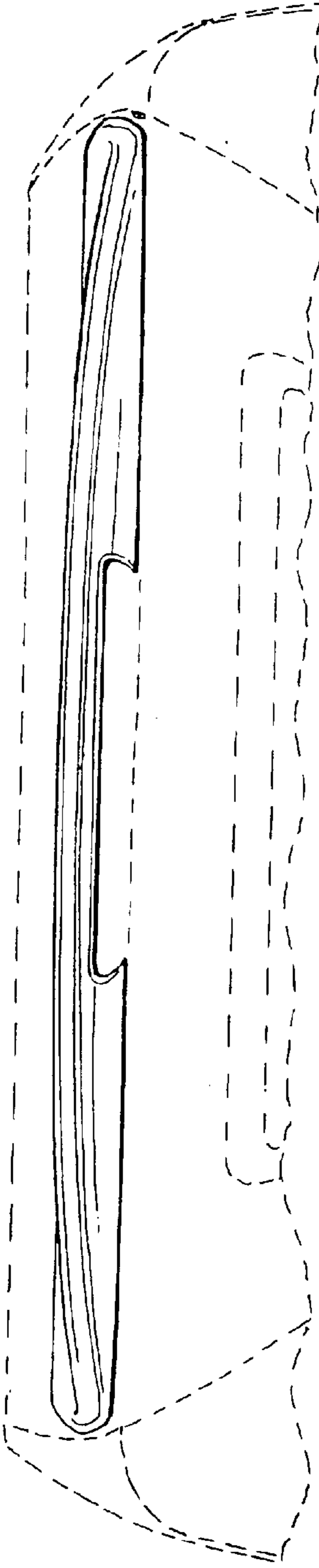


FIG. 1

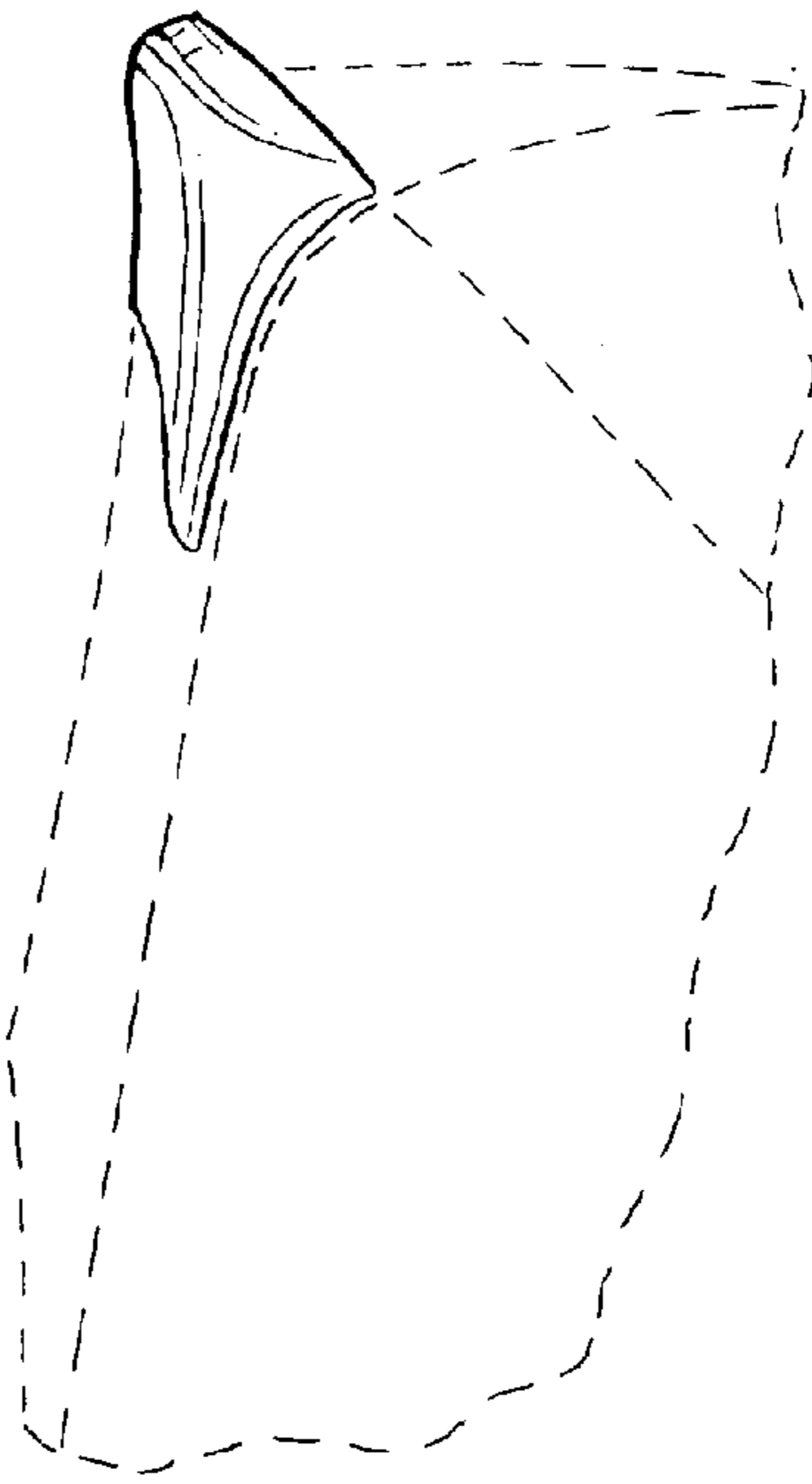


FIG. 2

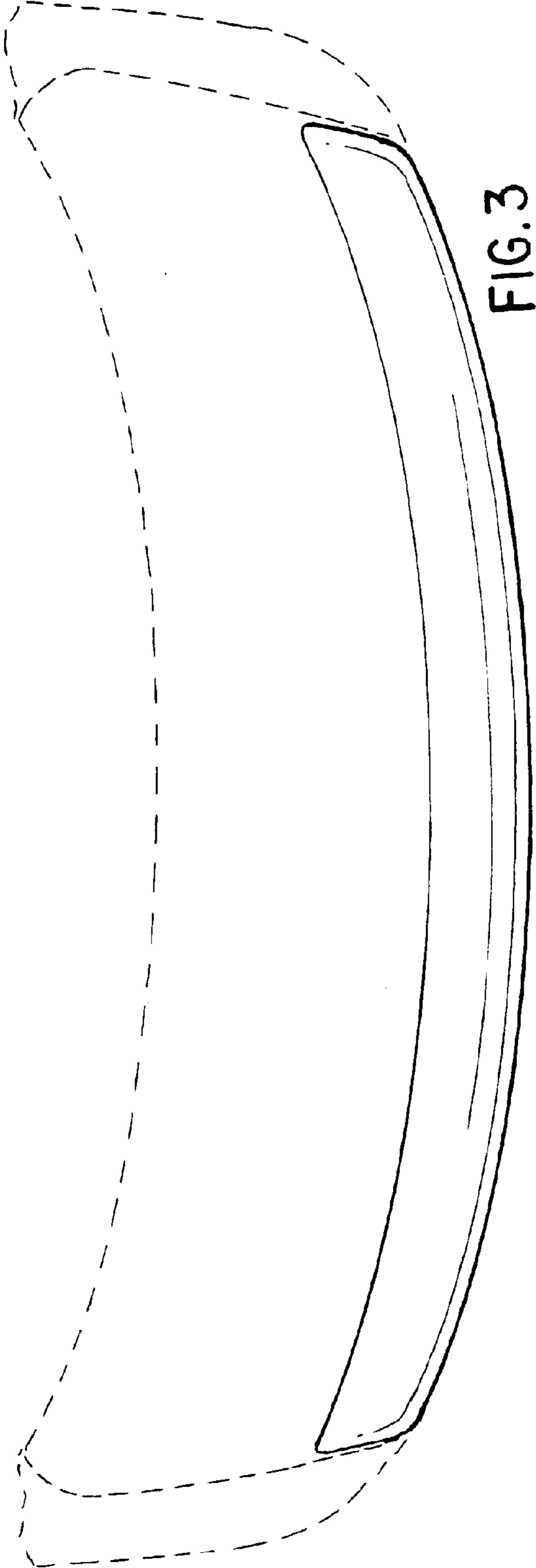


FIG. 3

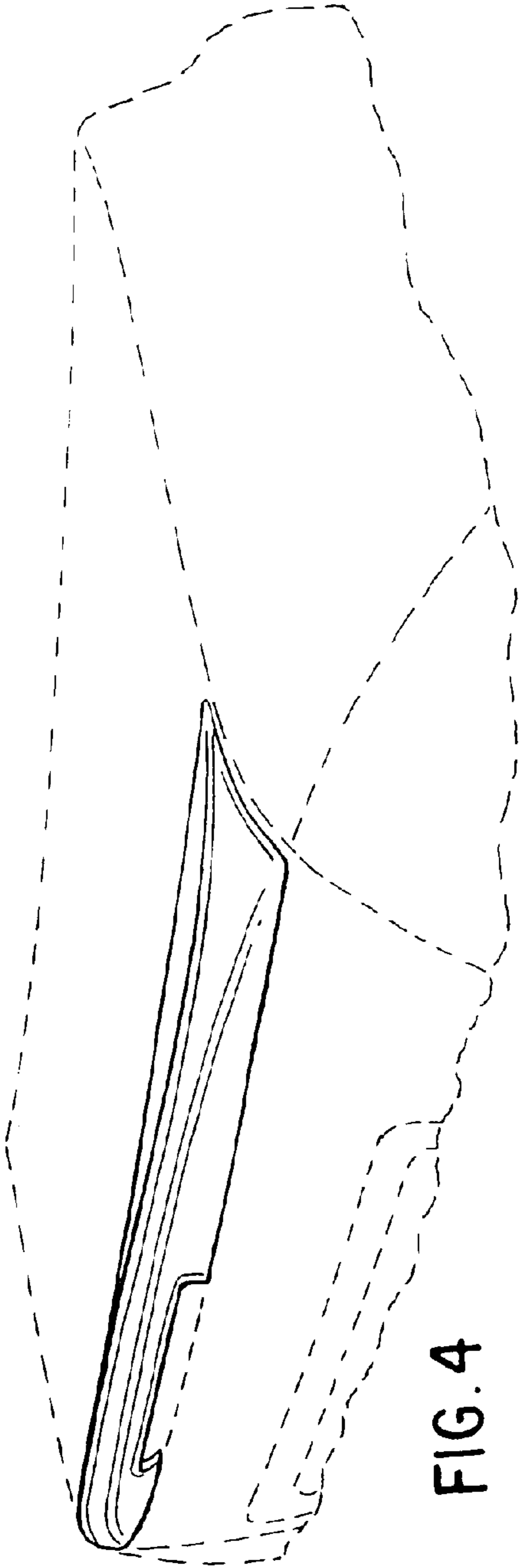


FIG. 4