



US00D503899S

(12) **United States Design Patent** (10) **Patent No.:** **US D503,899 S**  
**Yamada et al.** (45) **Date of Patent:** **\*\* Apr. 12, 2005**

(54) **BODY FAT MEASURING DEVICE WITH BODY WEIGHT MEASURING FUNCTION**

(75) Inventors: **Satoshi Yamada**, Kyoto (JP); **Tetsuya Sato**, Kyoto (JP); **Masahiro Umeda**, Kyoto (JP); **Takanobu Yamauchi**, Kyoto (JP); **Sunao Ouchida**, Kyoto (JP)

(73) Assignee: **Omron Healthcare Co., Ltd.**, Kyoto (JP)

(\*\*) Term: **14 Years**

(21) Appl. No.: **29/187,216**

(22) Filed: **Jul. 30, 2003**

(30) **Foreign Application Priority Data**

Feb. 7, 2003 (JP) ..... 2003-002866

(51) **LOC (7) Cl.** ..... **10-04**

(52) **U.S. Cl.** ..... **D10/97; D10/92**

(58) **Field of Search** ..... **D10/88, 92-93, D10/97; 177/25.13, 25.16, 126-127; 600/547, 506**

(56) **References Cited**

**U.S. PATENT DOCUMENTS**

D415,972 S	*	11/1999	Sato et al.	.....	D10/92
D425,807 S	*	5/2000	Sato	.....	D10/92
6,369,337 B1	*	4/2002	Machiyama et al.	.....	177/25.13
6,487,445 B1	*	11/2002	Serita et al.	.....	600/547
D467,192 S	*	12/2002	Itagaki et al.	.....	D10/97
6,516,221 B1	*	2/2003	Hirouchi et al.	.....	600/547
6,590,166 B2	*	7/2003	Yoshida	.....	177/25.13
6,665,561 B2	*	12/2003	Baba et al.	.....	600/547
6,725,089 B2	*	4/2004	Komatsu et al.	.....	600/547
6,738,660 B2	*	5/2004	Hakomori et al.	.....	600/547
6,762,609 B2	*	7/2004	Alanen et al.	.....	600/547

\* cited by examiner

*Primary Examiner*—Antoine D. Davis  
(74) *Attorney, Agent, or Firm*—Dickstein Shapiro Morin Oshinsky LLP

(57) **CLAIM**

The ornamental design for a body fat measuring device with body weight measuring function, as shown and described.

**DESCRIPTION**

FIG. 1 is a front view of our new design for a body fat measuring device with body weight measuring function; FIG. 2 is a rear view of the body fat measuring device with body weight measuring function of FIG. 1; FIG. 3 is a plan view of the body fat measuring device with body weight measuring function of FIG. 1; FIG. 4 is a bottom view of the body fat measuring device with body weight measuring function of FIG. 1; FIG. 5 is a right side view of the body fat measuring device with body weight measuring function of FIG. 1; FIG. 6 is a perspective view of the body fat measuring device with body weight measuring function of FIG. 1; FIG. 7 is a front view of the body fat measuring device with body weight measuring function of FIG. 1 with the handle portion detached; FIG. 8 is a rear view of the body fat measuring device with body weight measuring function of FIG. 1 with the handle portion detached; FIG. 9 is a plan view of the body fat measuring device with body weight measuring function of FIG. 1 with the handle portion detached; FIG. 10 is a bottom view of the body fat measuring device with body weight measuring function of FIG. 1 with the handle portion detached; FIG. 11 is a right side view of the body fat measuring device with body weight measuring function of FIG. 1 with the handle portion detached; FIG. 12 is a left side view of the body fat measuring device with body weight measuring function of FIG. 1 with the handle portion detached; and FIG. 13 is a front view of the body fat measuring device with body weight measuring function taken along line XIII—XIII of FIG. 9; FIG. 14 is a rear view of the body fat measuring device with body weight measuring function of FIG. 1 without the handle portion; FIG. 15 is a rear view of the handle portion of the body fat measuring device with body weight measuring function taken along line XV—XV of FIG. 9;

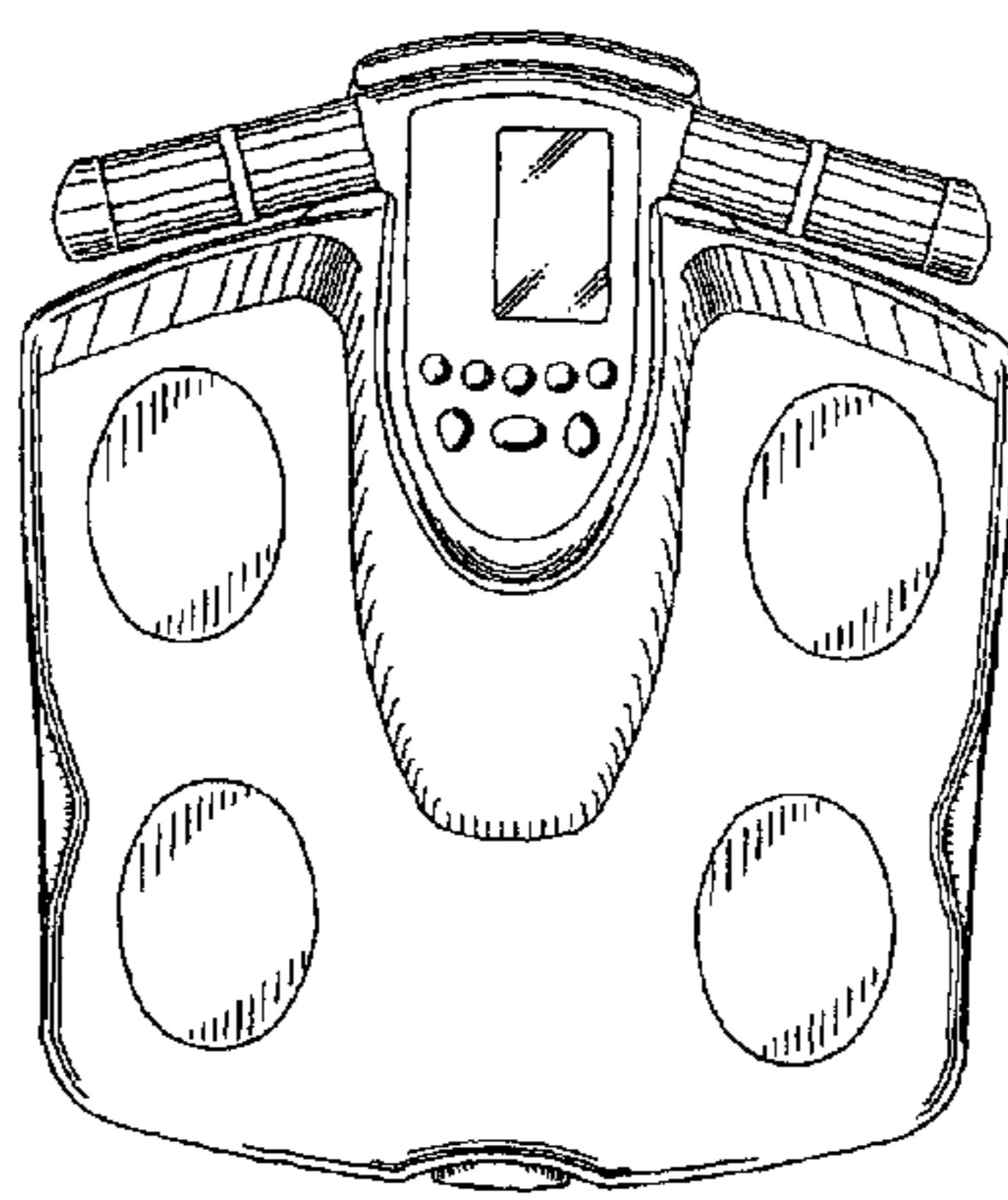


FIG. 16 is a front view of the handle portion of the body fat measuring device with body weight measuring function of FIG. 1;

FIG. 17 is a perspective view of the handle portion of the body fat measuring device with body weight measuring function without the cable; and,

FIG. 18 is a perspective view of the body fat measuring device with body weight measuring function without the handle portion and the cable.

**1 Claim, 15 Drawing Sheets**

Fig. 1

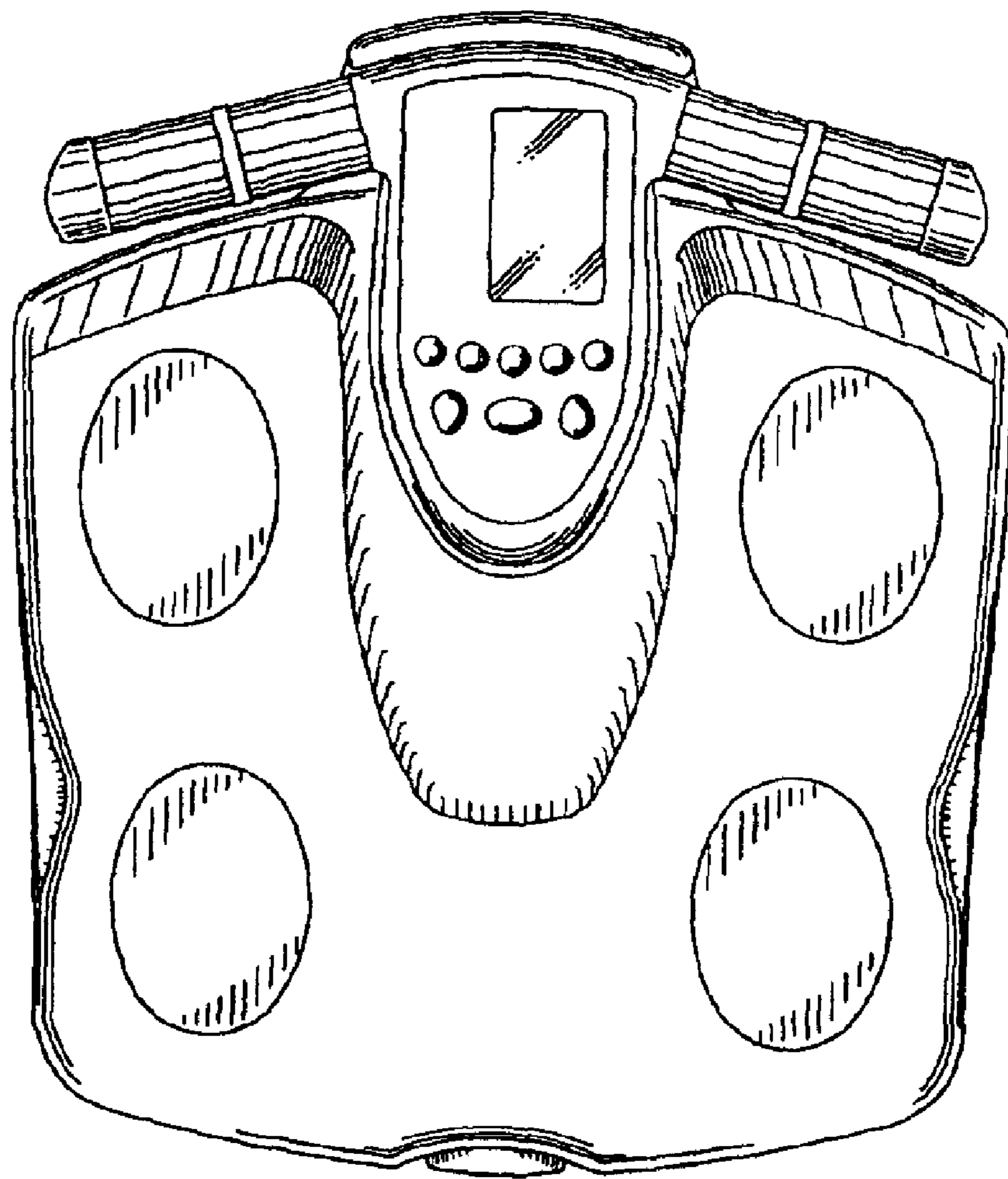


Fig. 2

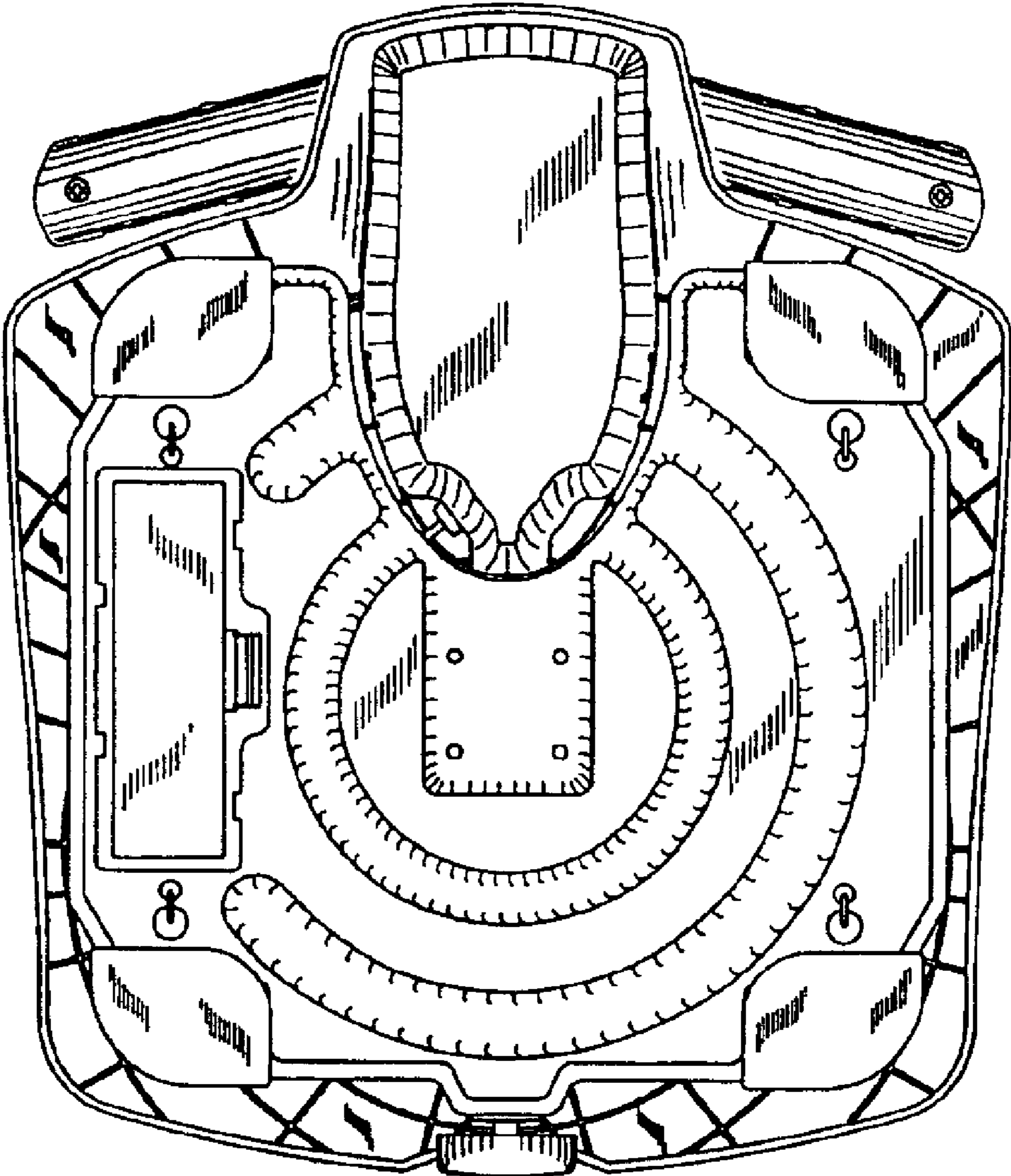


Fig. 3

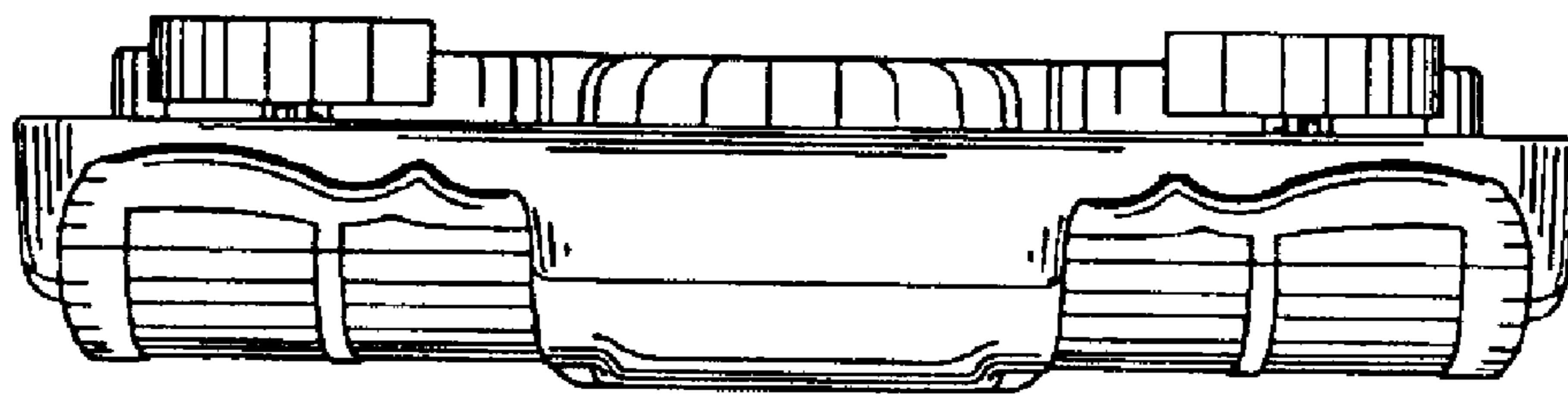


Fig. 4

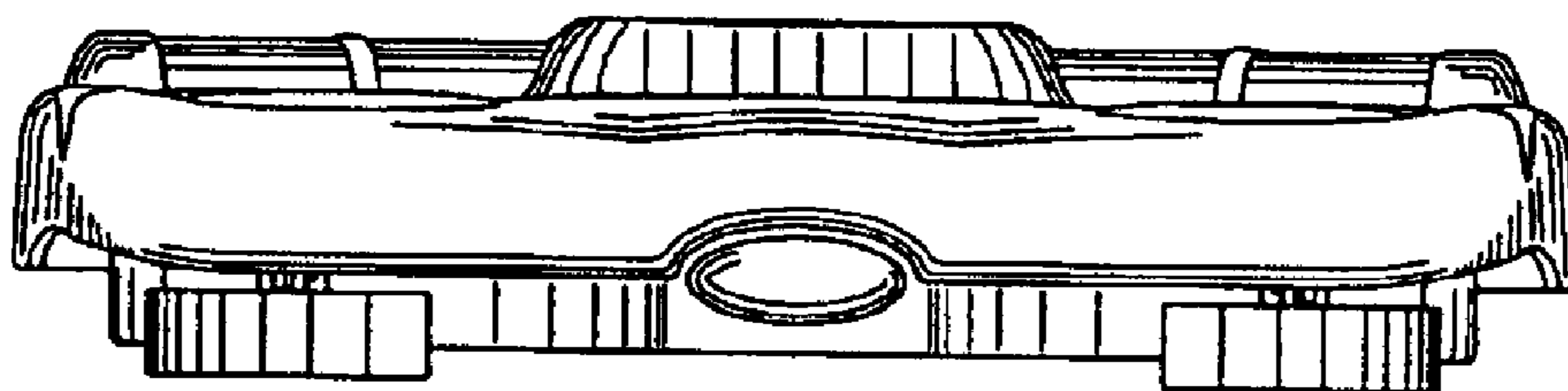


Fig. 5

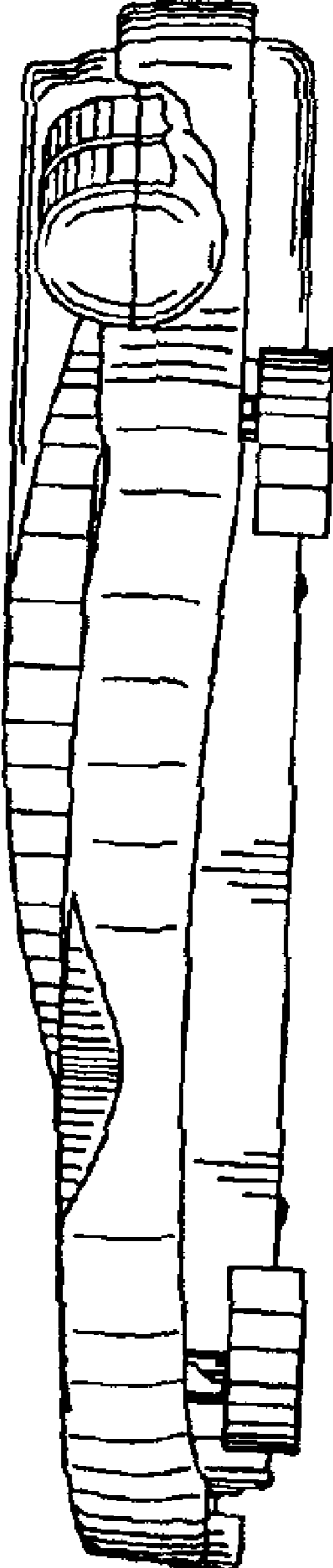


Fig. 6

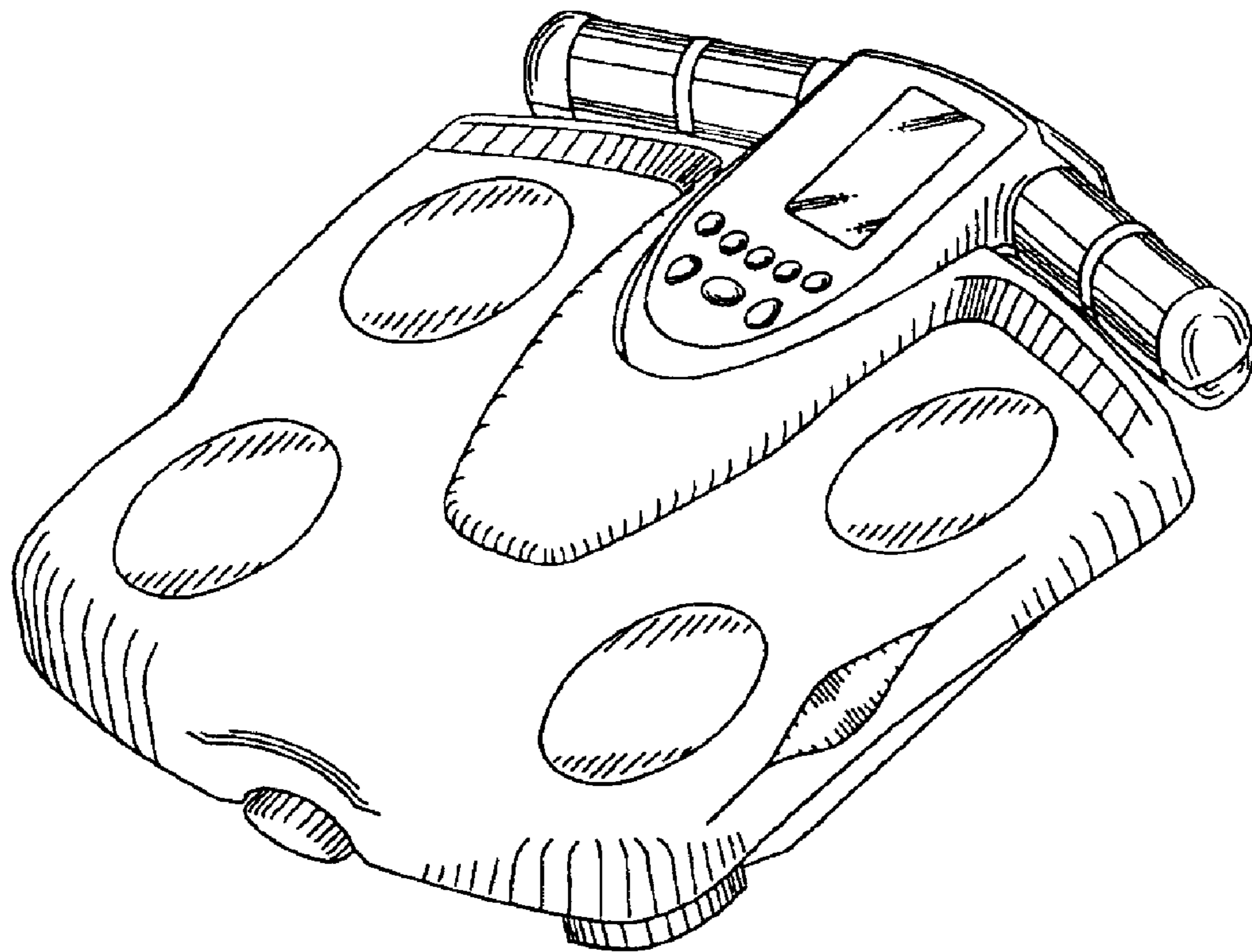


Fig. 7

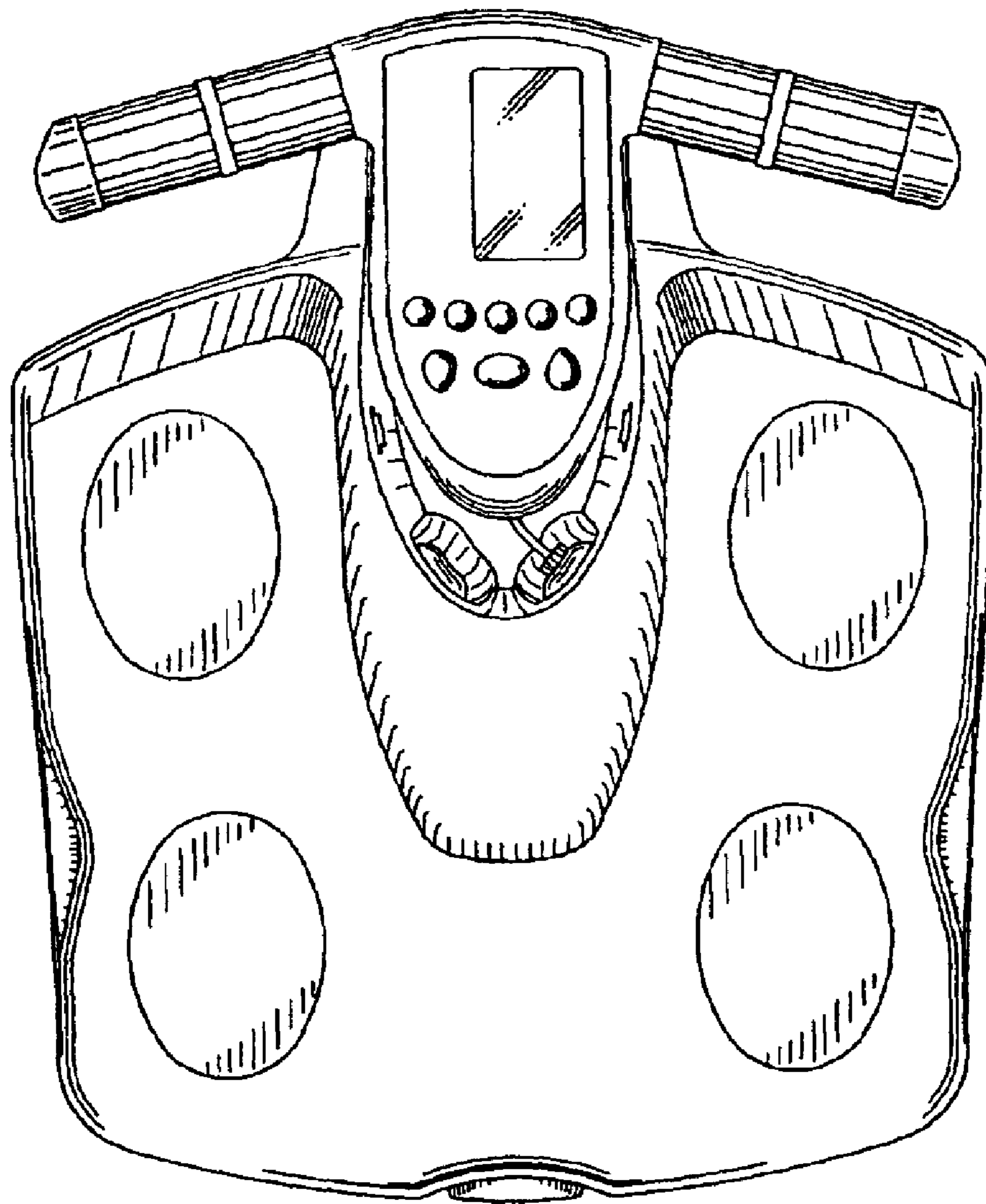




Fig. 8

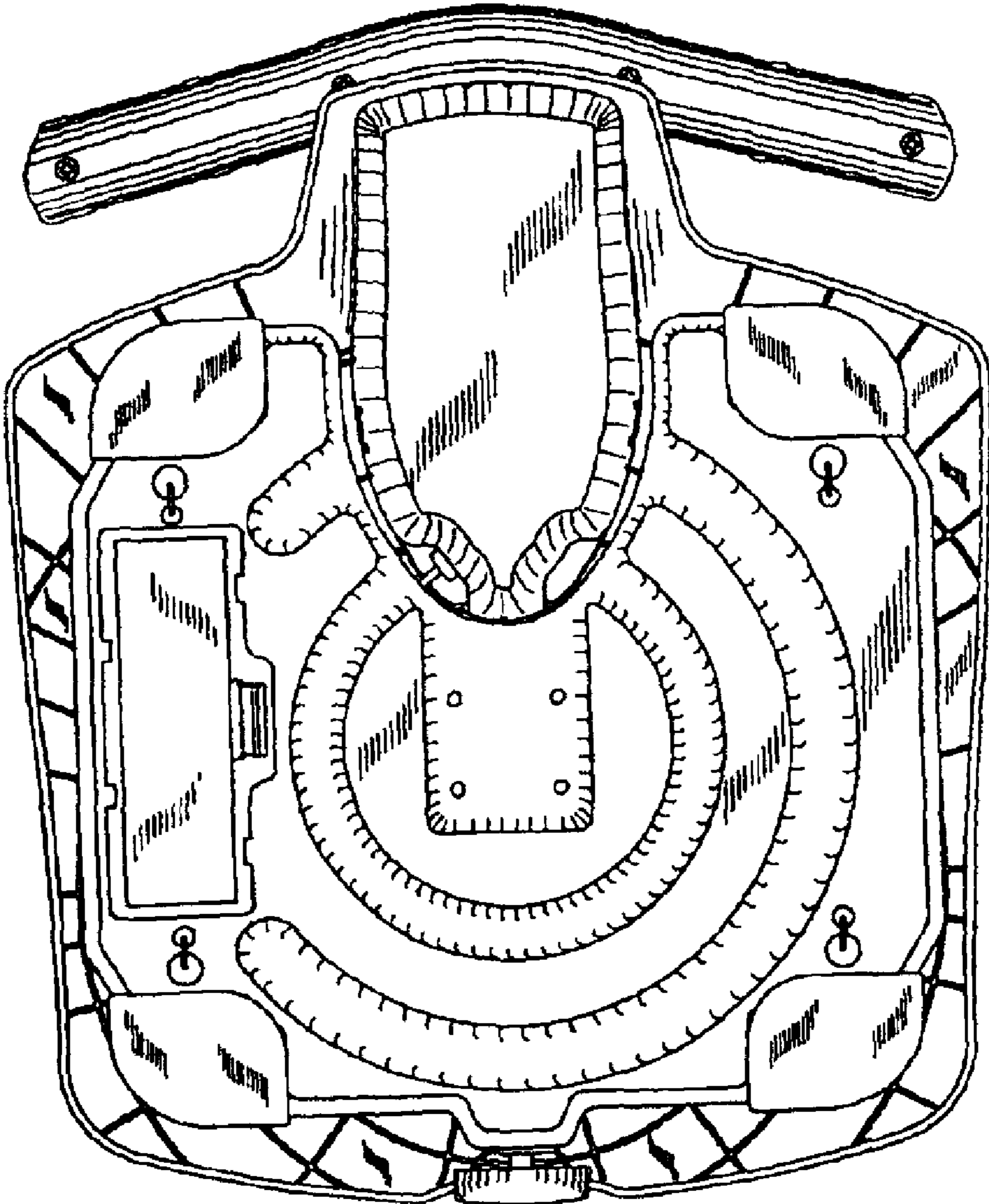


Fig. 9

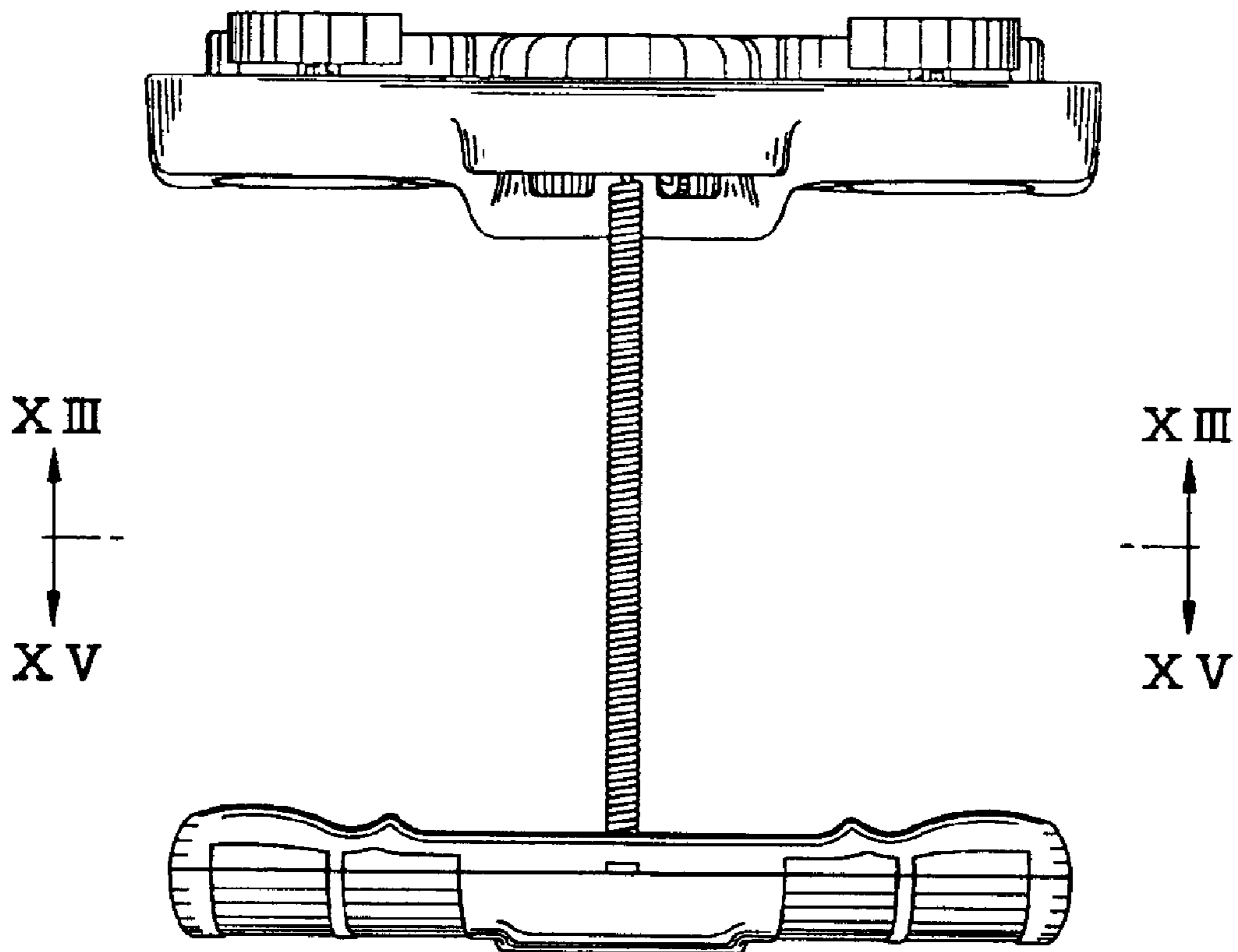


Fig. 10

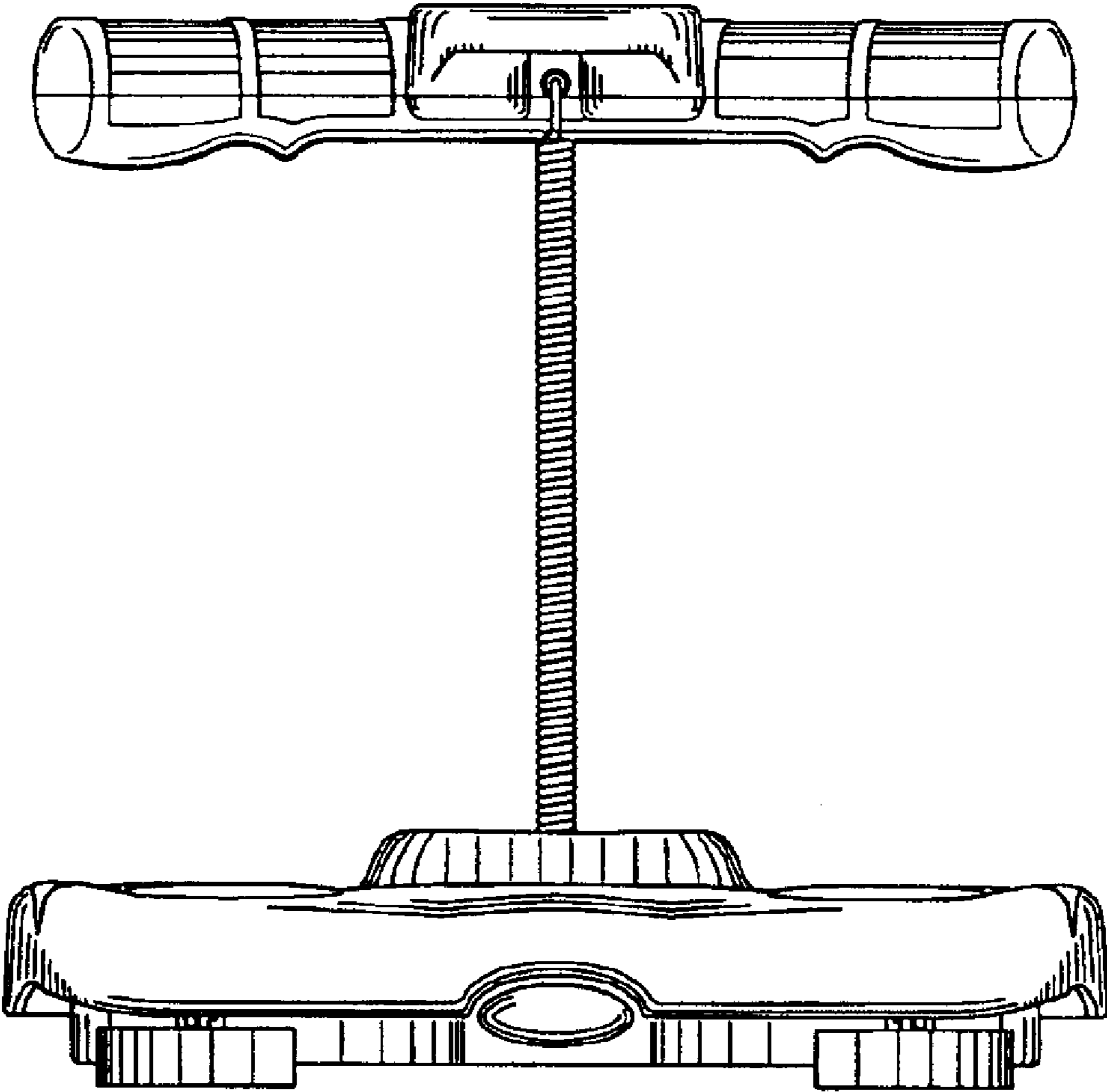


Fig. 11

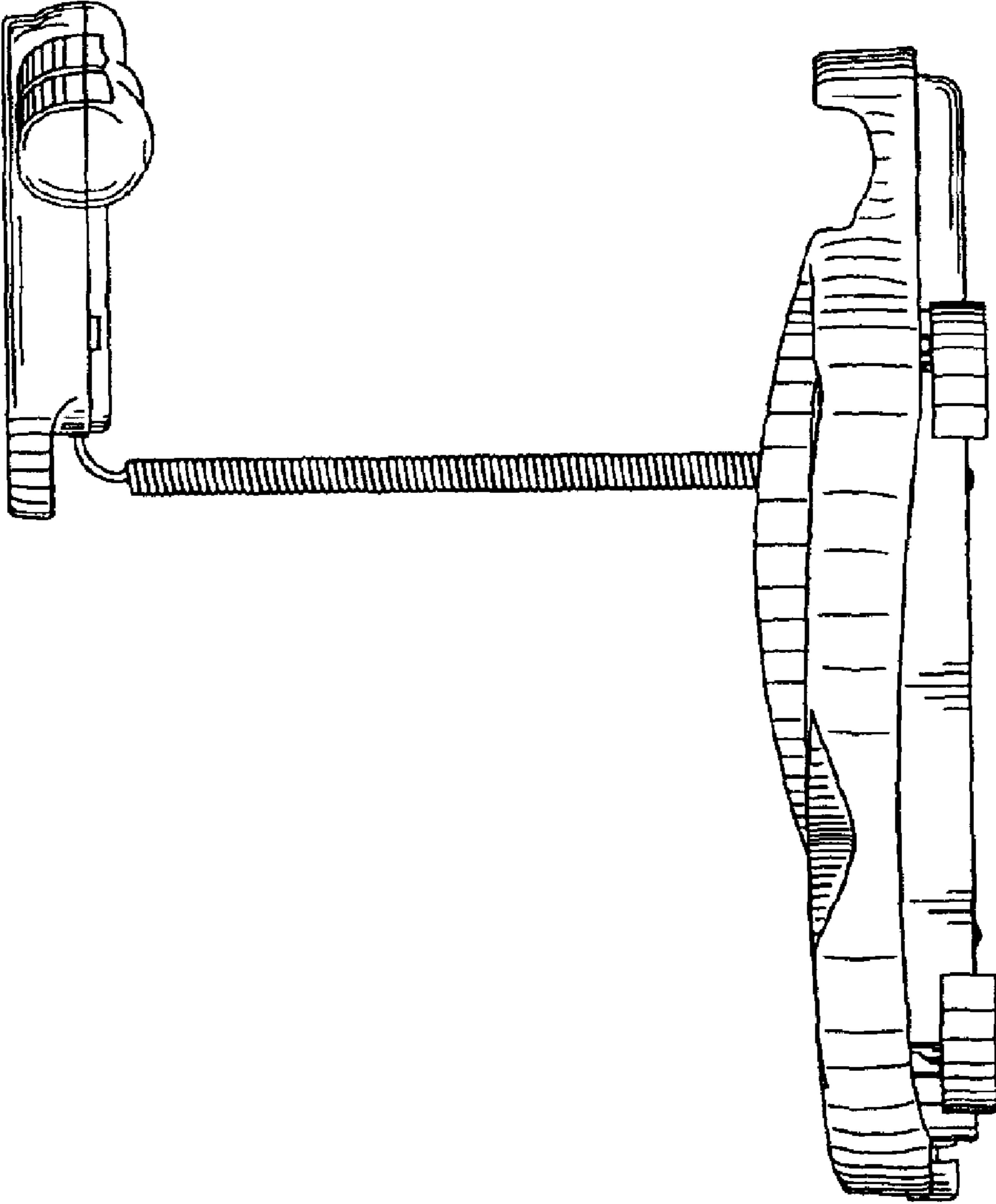


Fig. 12

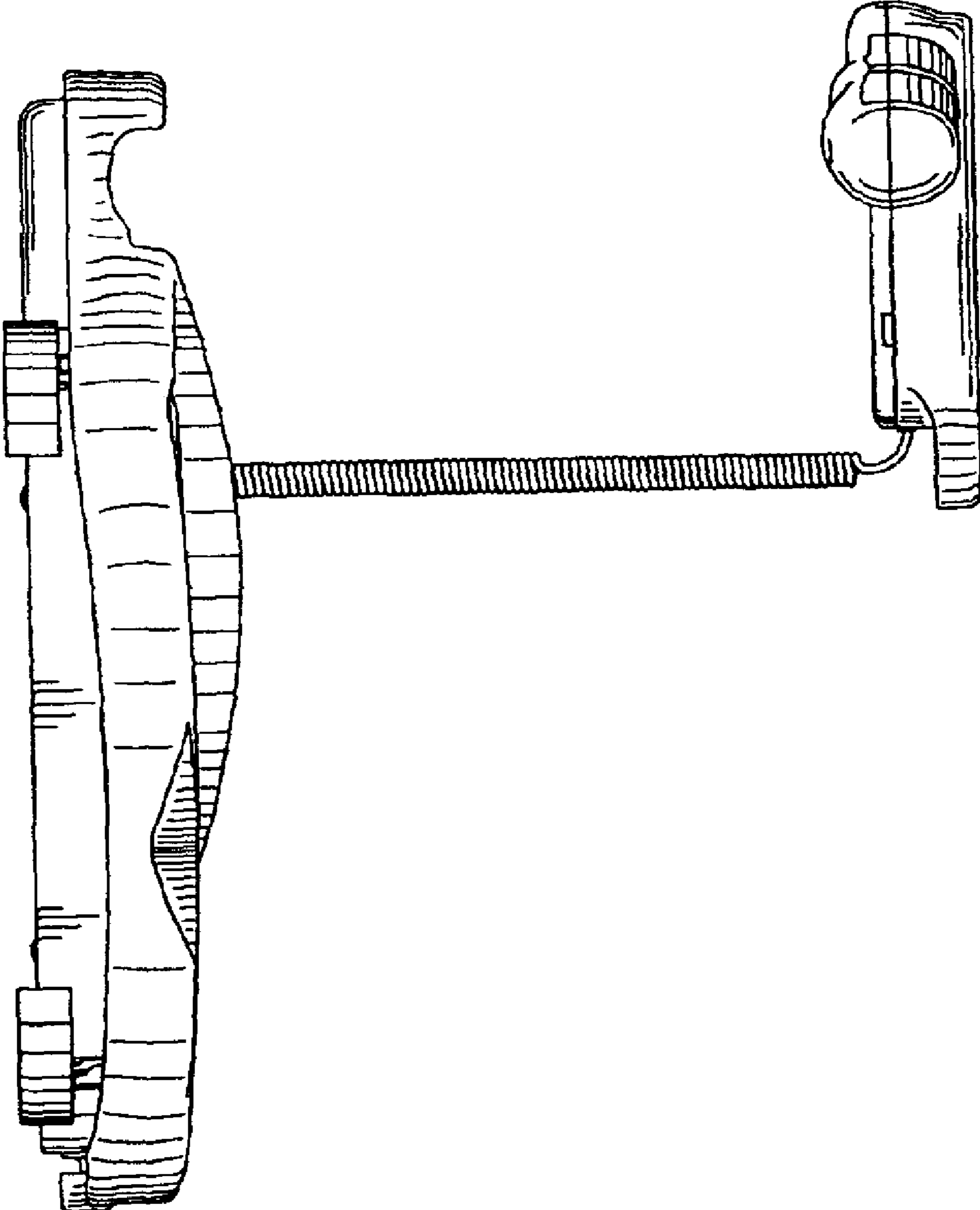


Fig. 13

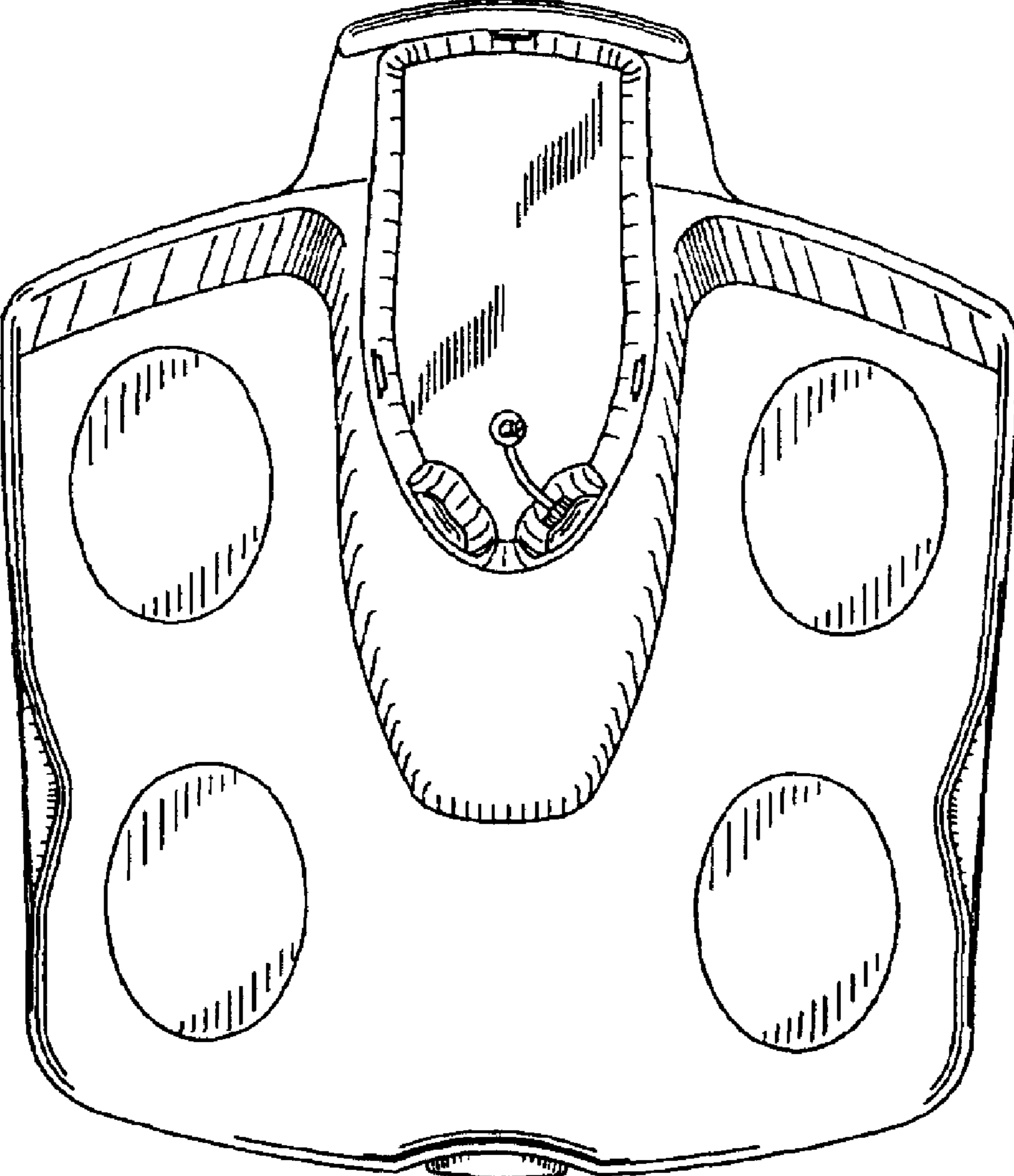


Fig. 14

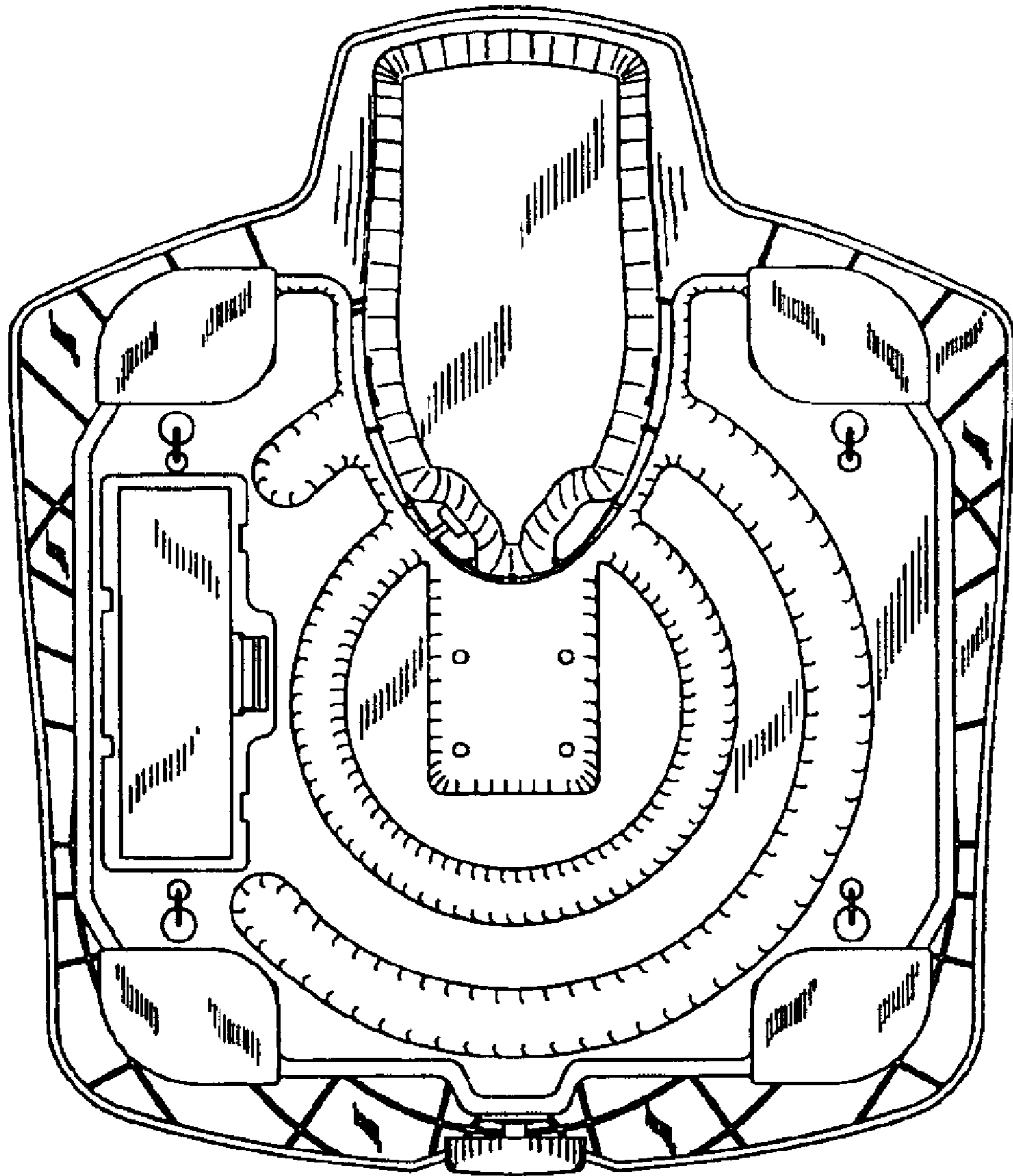


Fig. 15

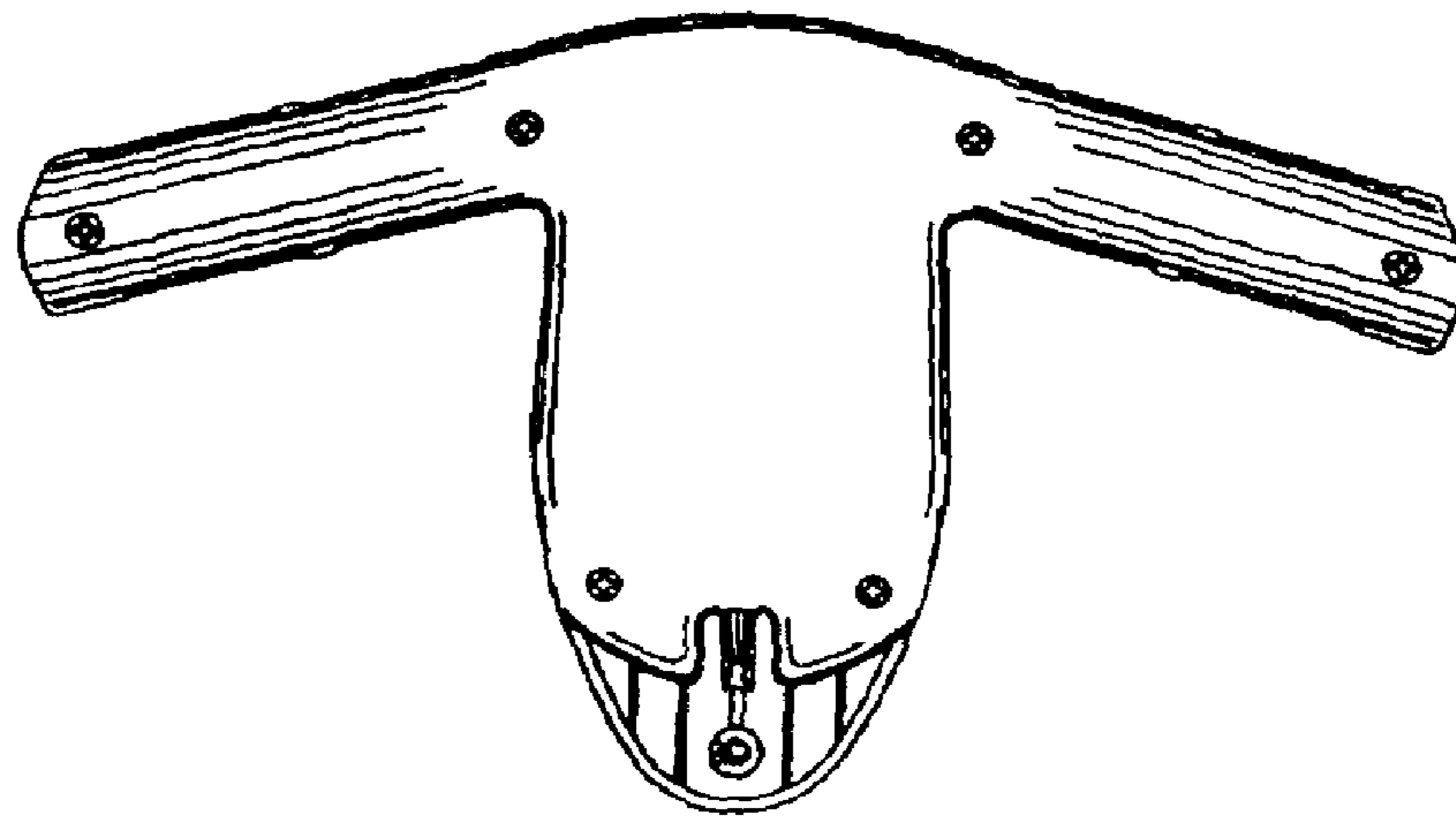


Fig. 16

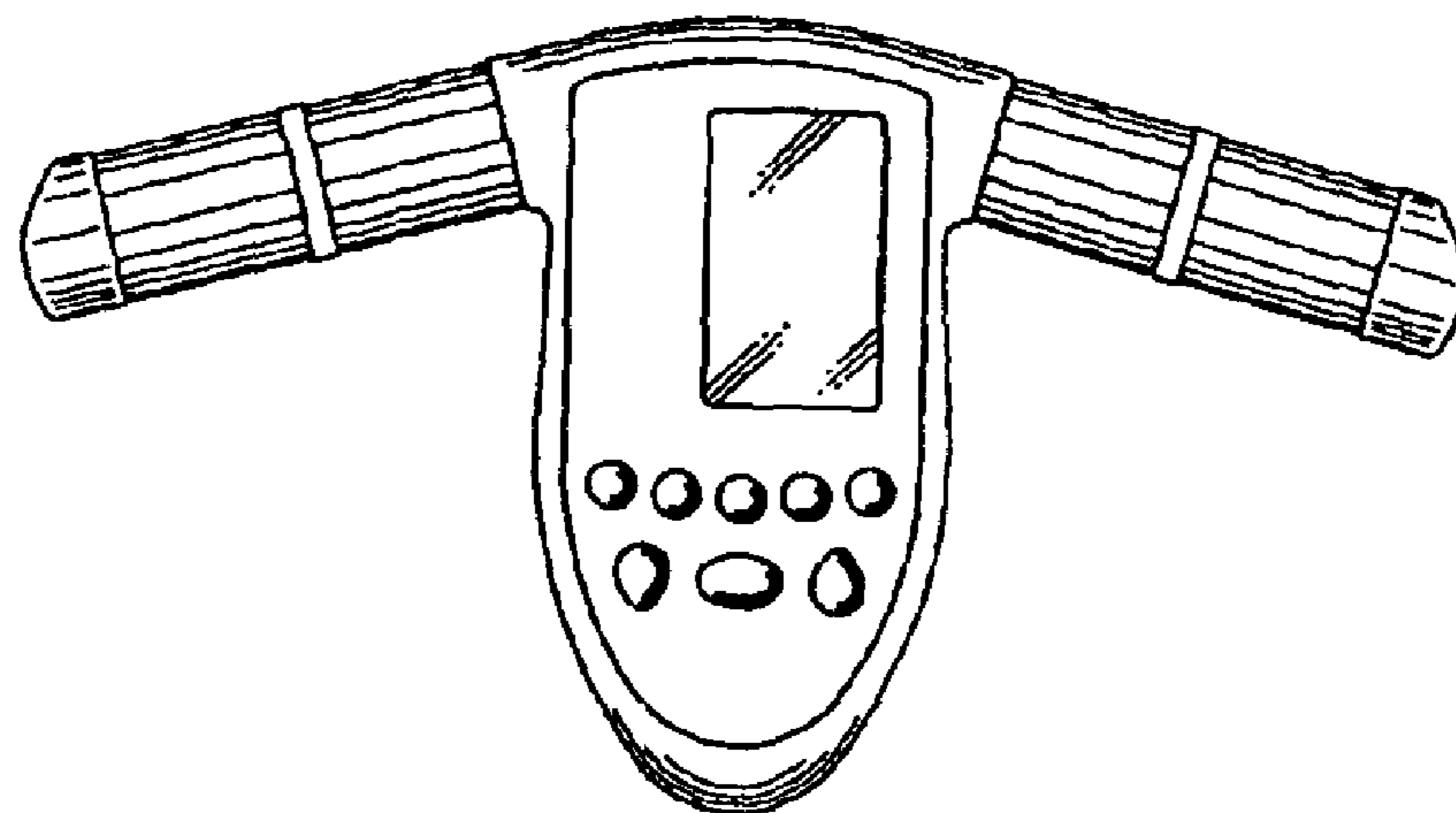




Fig. 17

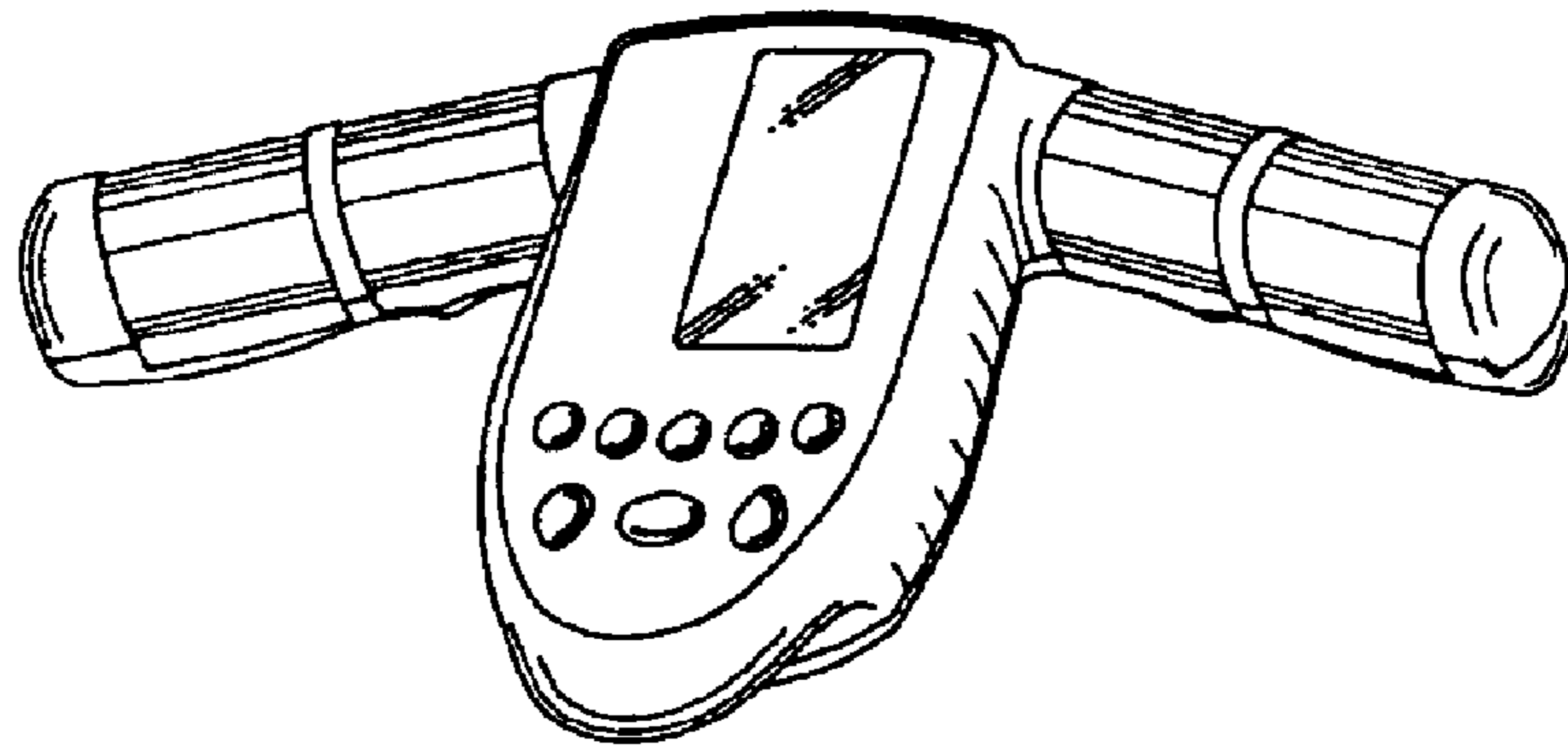


Fig. 18

