

US00D503894S

(12) **United States Design Patent** (10) **Patent No.:** **US D503,894 S**  
**Tu** (45) **Date of Patent:** **\*\* Apr. 12, 2005**

(54) **PORTION OF A WATCH**  
(75) Inventor: **Aurelie C. Tu**, Portland, OR (US)  
(73) Assignee: **Nike, Inc.**, Beaverton, OR (US)  
(\*\*) Term: **14 Years**  
(21) Appl. No.: **29/204,615**  
(22) Filed: **May 3, 2004**  
(51) **LOC (7) Cl.** ..... **10-02**  
(52) **U.S. Cl.** ..... **D10/30**  
(58) **Field of Search** ..... D10/1-39, 122-132;  
368/276-277, 223, 281-282, 228-229,  
285, 239-242, 28-30, 41-44; D11/3-25;  
224/164, 168, 178; 63/1.1, 3, 5, 11

D457,814 S \* 5/2002 Bodino ..... D10/32  
D480,653 S \* 10/2003 Lo ..... D10/32  
D481,959 S 11/2003 Houlihan

**FOREIGN PATENT DOCUMENTS**

EP 189372 7/1986  
JP 62-239081 10/1987

\* cited by examiner

*Primary Examiner*—Nelson C. Holtje  
(74) *Attorney, Agent, or Firm*—Banner & Witcoff, Ltd.

(57) **CLAIM**

The ornamental design for a portion of a watch, as shown and described.

**DESCRIPTION**

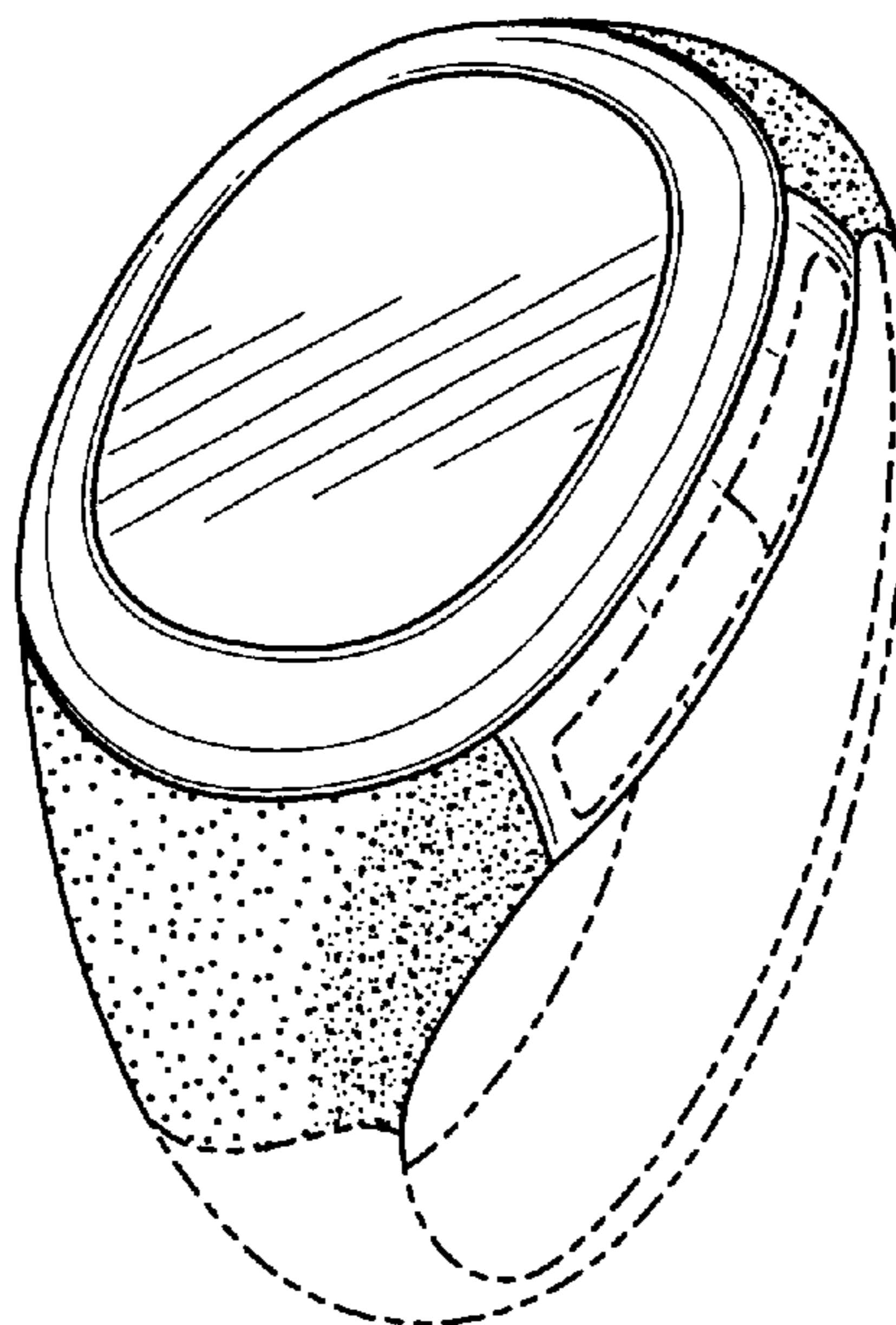
FIG. 1 is a perspective view of a portion of a watch showing my new design;  
FIG. 2 is a front view thereof;  
FIG. 3 is a bottom view thereof;  
FIG. 4 is a top view thereof;  
FIG. 5 is a left side view thereof;  
FIG. 6 is a right side view thereof;  
FIG. 7 is a perspective view of a second embodiment of a portion of a watch showing my new design;  
FIG. 8 is a front view thereof;  
FIG. 9 is a bottom view thereof;  
FIG. 10 is a top view thereof;  
FIG. 11 is a left side view thereof; and,  
FIG. 12 is a right side view thereof.  
The broken line showing of the side buttons and the remainder of the watch band is for illustrative purposes only and forms no part of the claimed design. The unshown back of the watch forms no part of the claimed design.

(56) **References Cited**

**U.S. PATENT DOCUMENTS**

D285,543 S 9/1986 Moser  
D297,622 S 9/1988 Lee  
D365,285 S 12/1995 Nanayakkara  
D386,692 S \* 11/1997 Kume et al. .... D10/30  
D391,499 S 3/1998 Houlihan et al.  
D392,902 S 3/1998 Mouawad  
D398,540 S 9/1998 Lee  
D404,315 S 1/1999 Azegami  
D413,070 S 8/1999 Charriol  
D427,084 S 6/2000 Ramos, Jr. et al.  
D433,342 S \* 11/2000 Fox ..... D10/30  
D446,461 S \* 8/2001 Wunderman ..... D10/32  
D449,997 S 11/2001 Blauner et al.  
D449,999 S \* 11/2001 Ng ..... D10/32  
D451,819 S 12/2001 Streltsov  
D452,173 S 12/2001 Giardiello  
D453,688 S 2/2002 Bodino  
D456,283 S \* 4/2002 Baumann ..... D10/32  
D457,071 S 5/2002 Blauner et al.

**1 Claim, 12 Drawing Sheets**



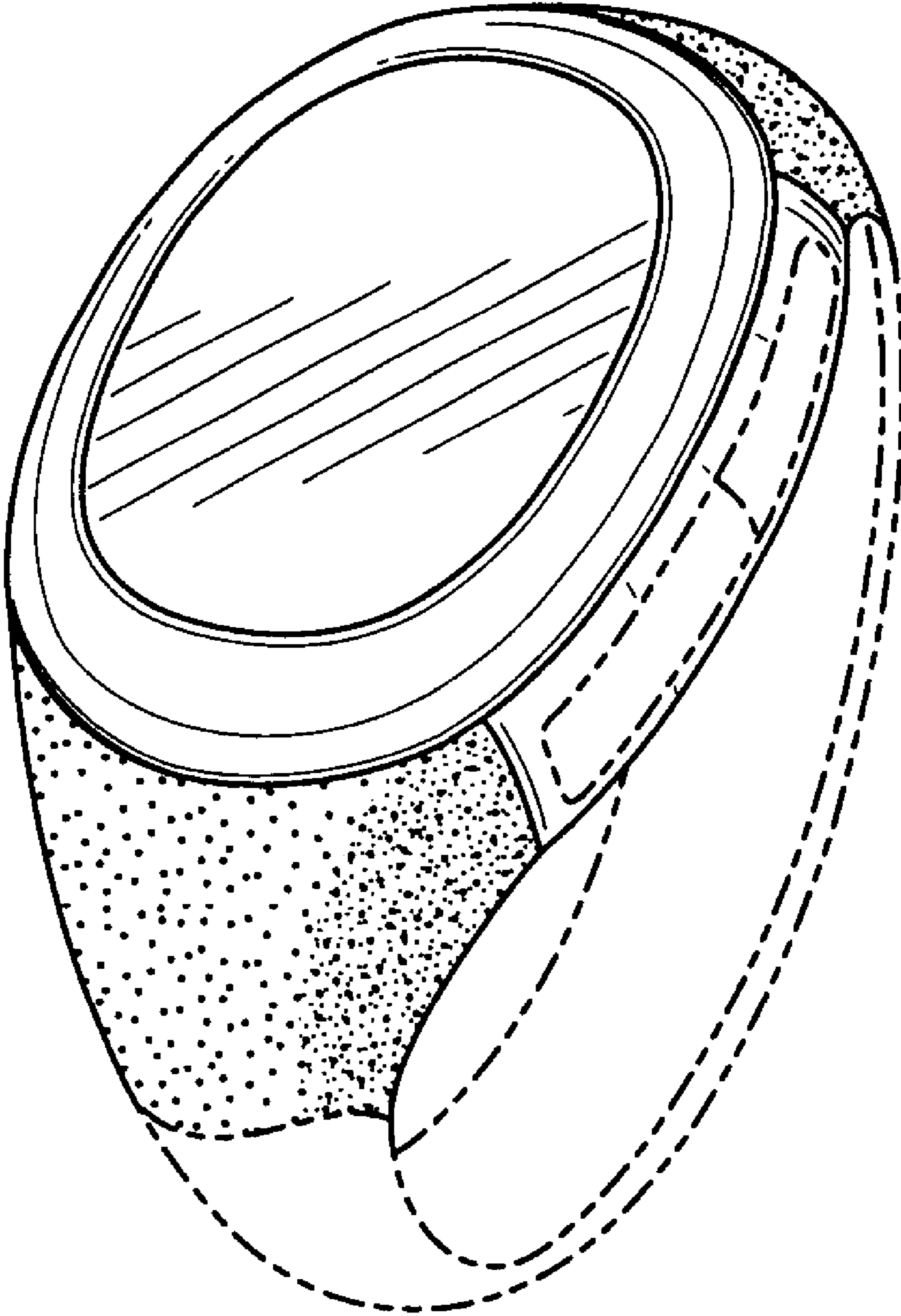


FIG. 1

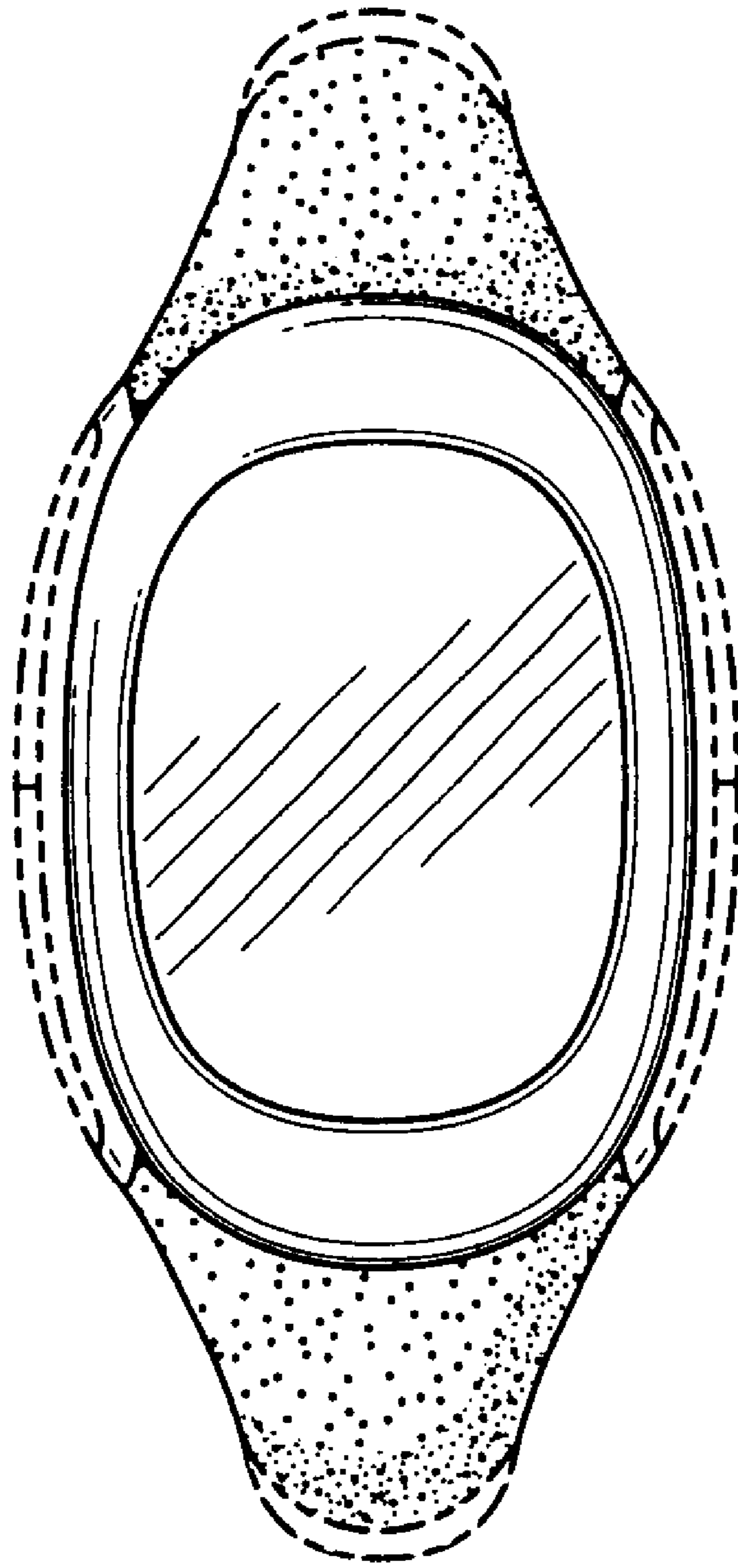


FIG. 2

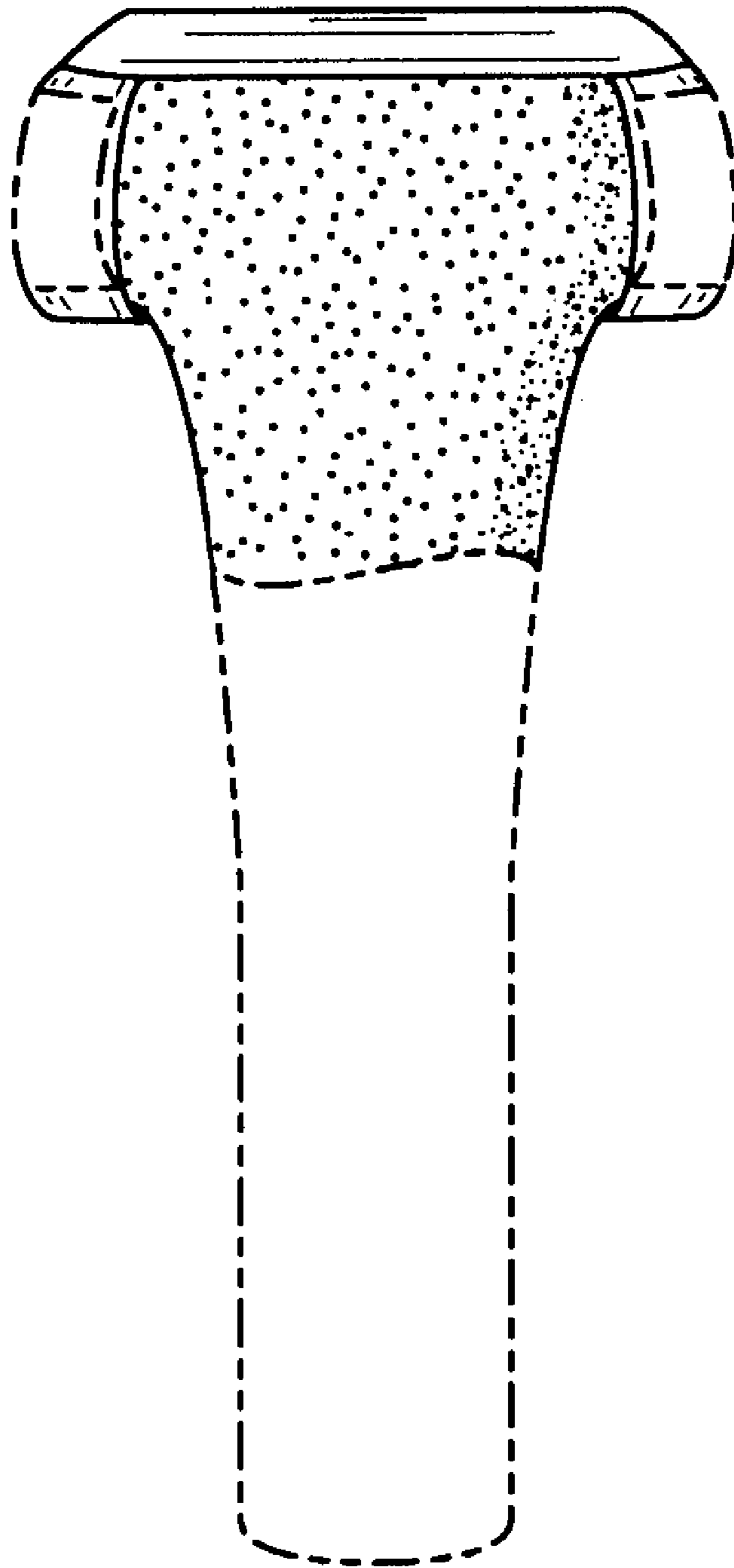


FIG. 3

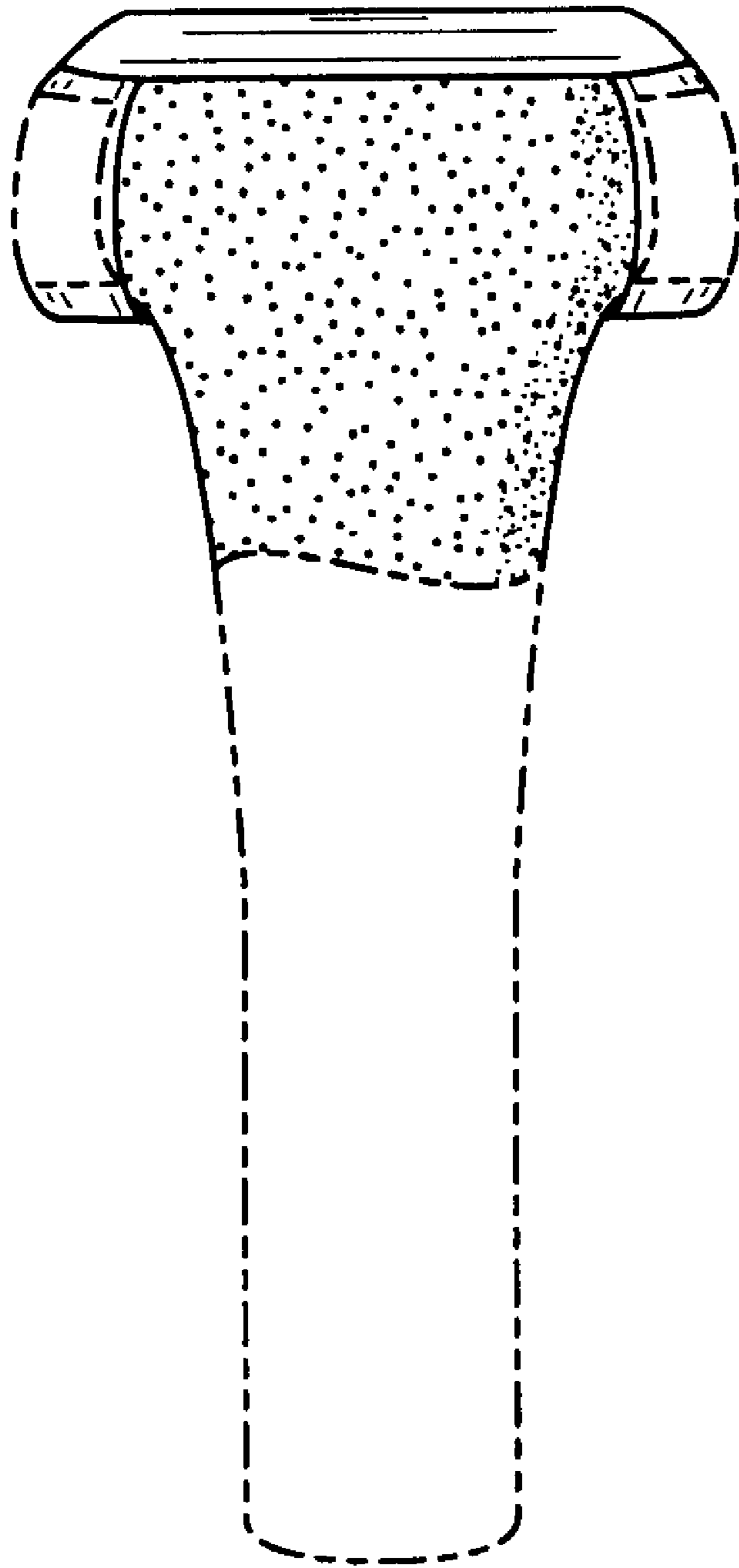


FIG. 4

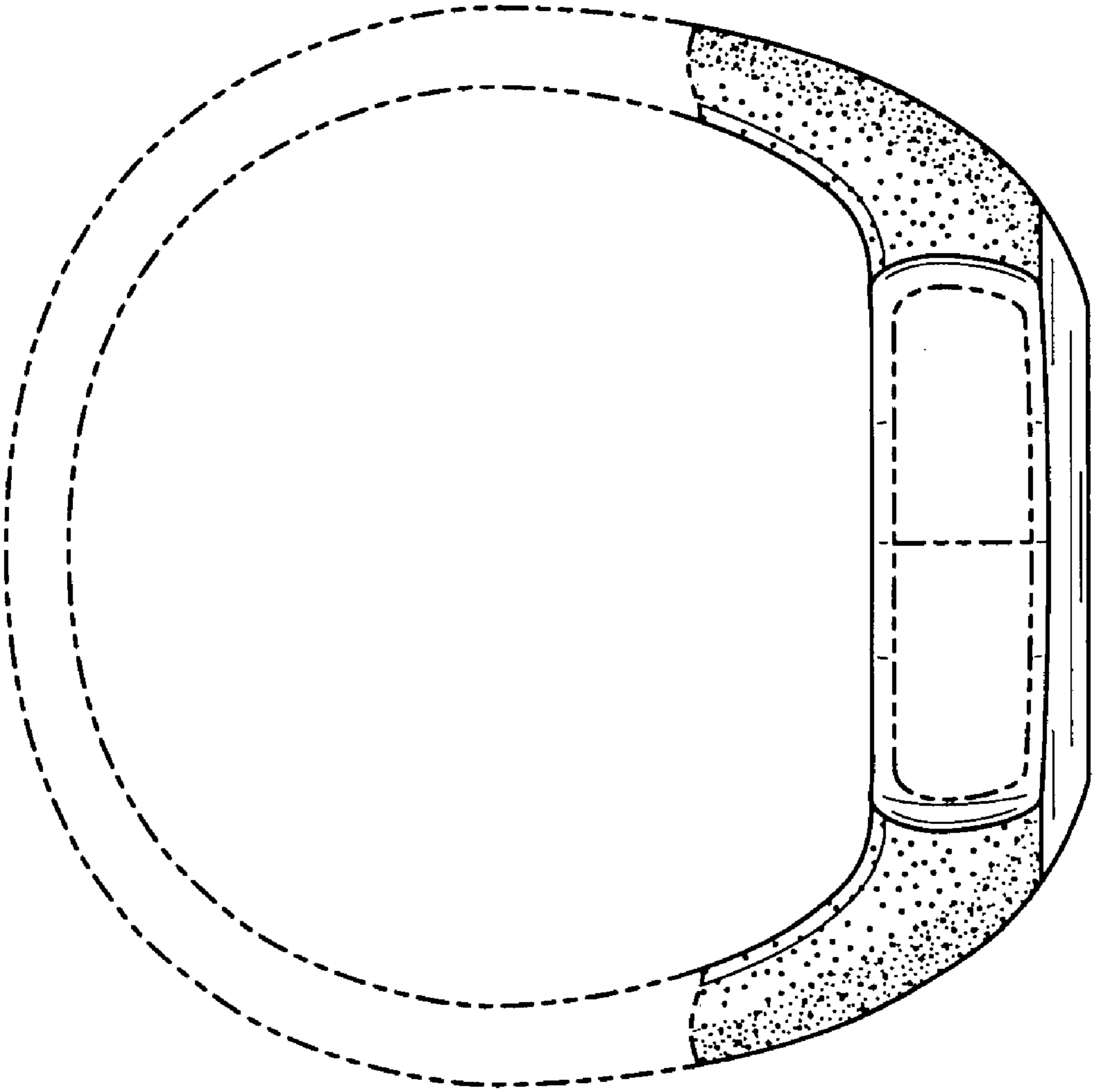


FIG. 5

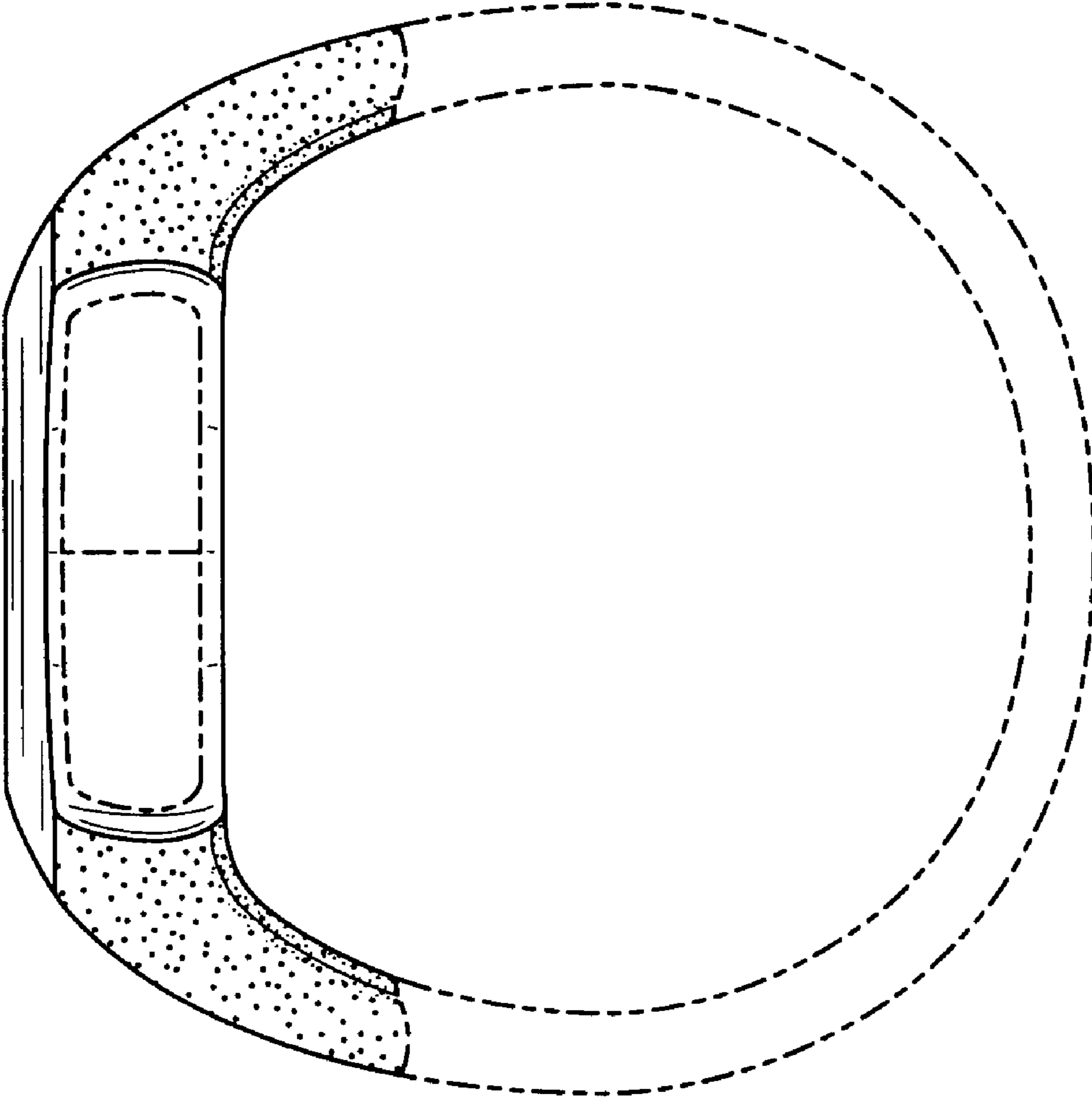


FIG. 6



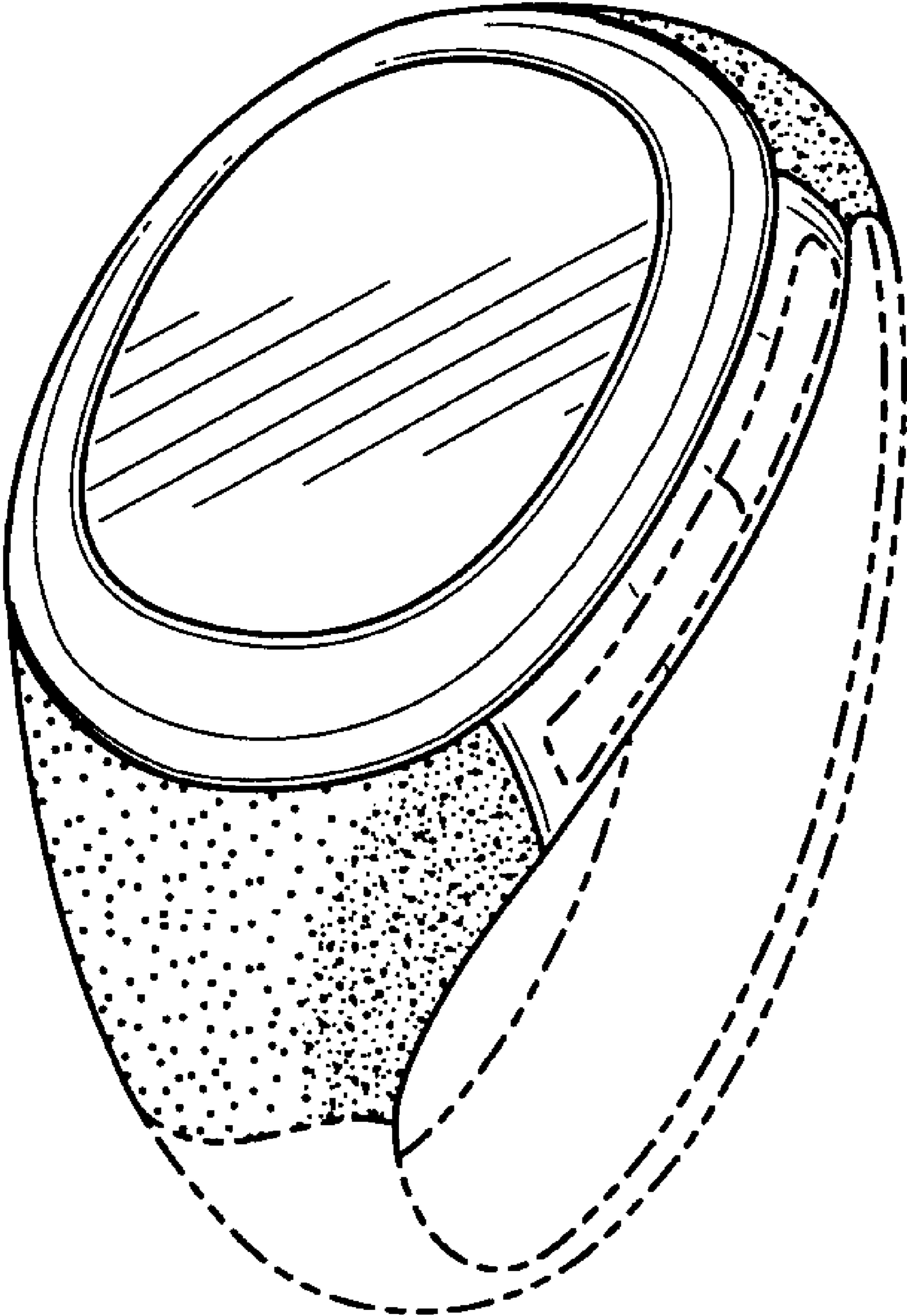


FIG. 7



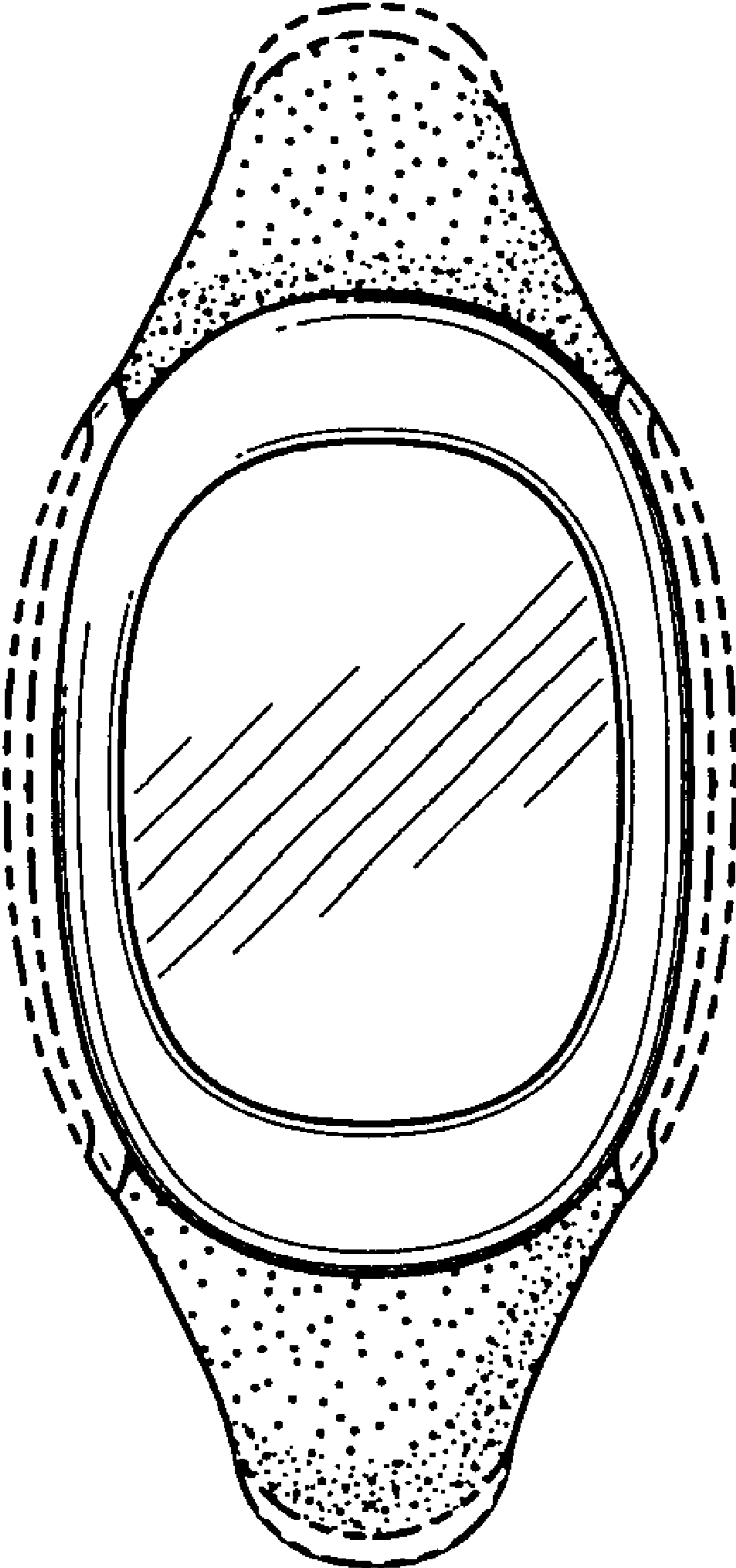


FIG. 8

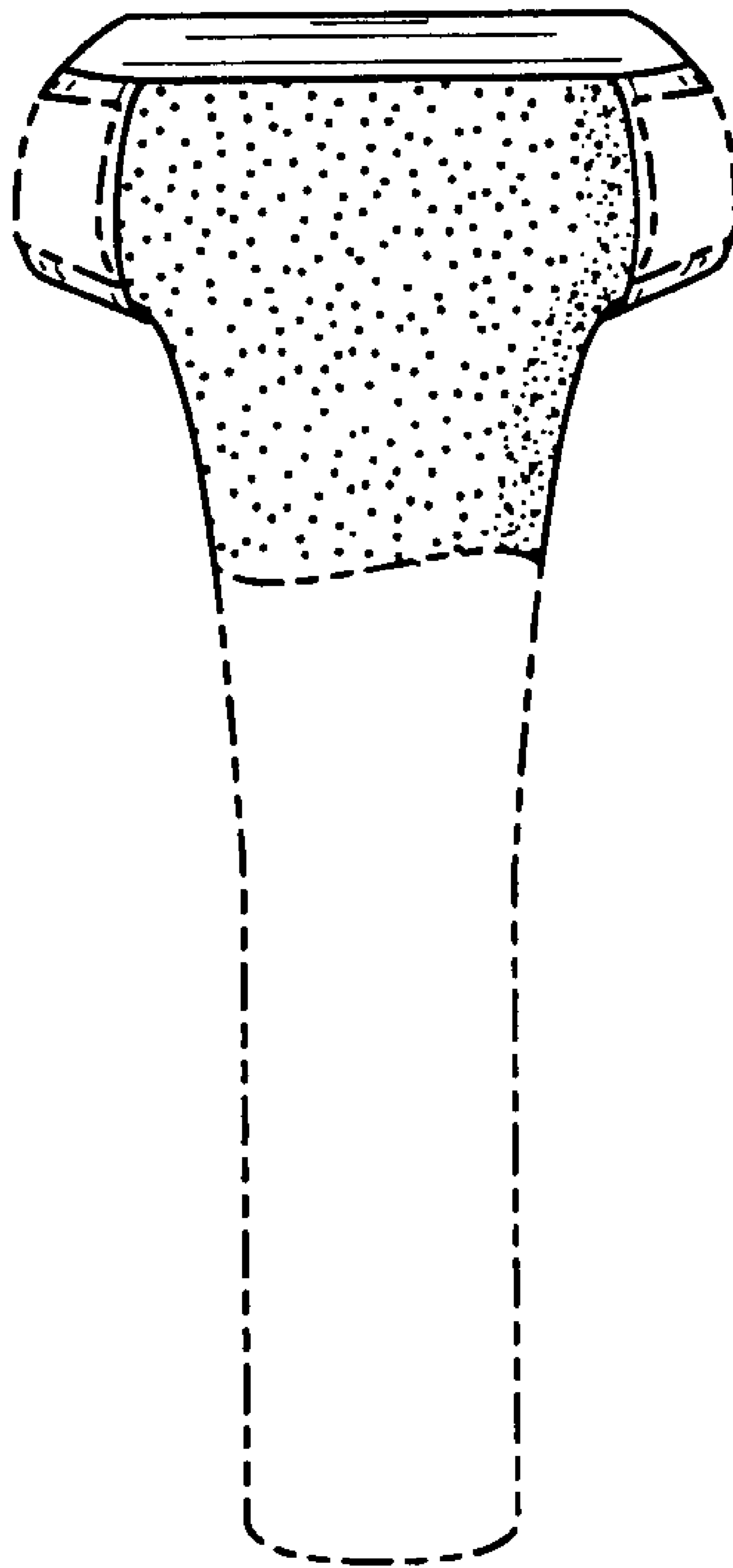


FIG. 9

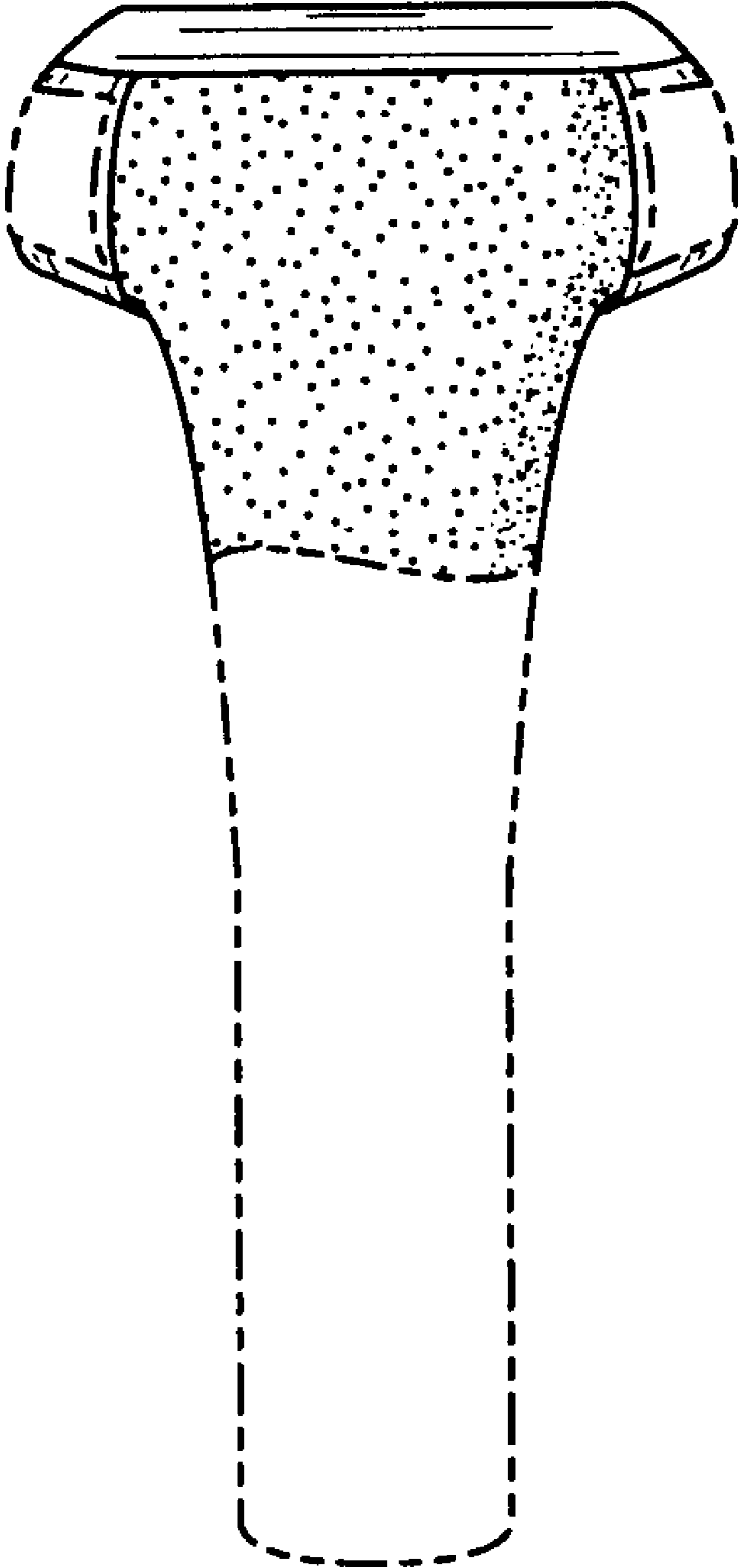


FIG. 10

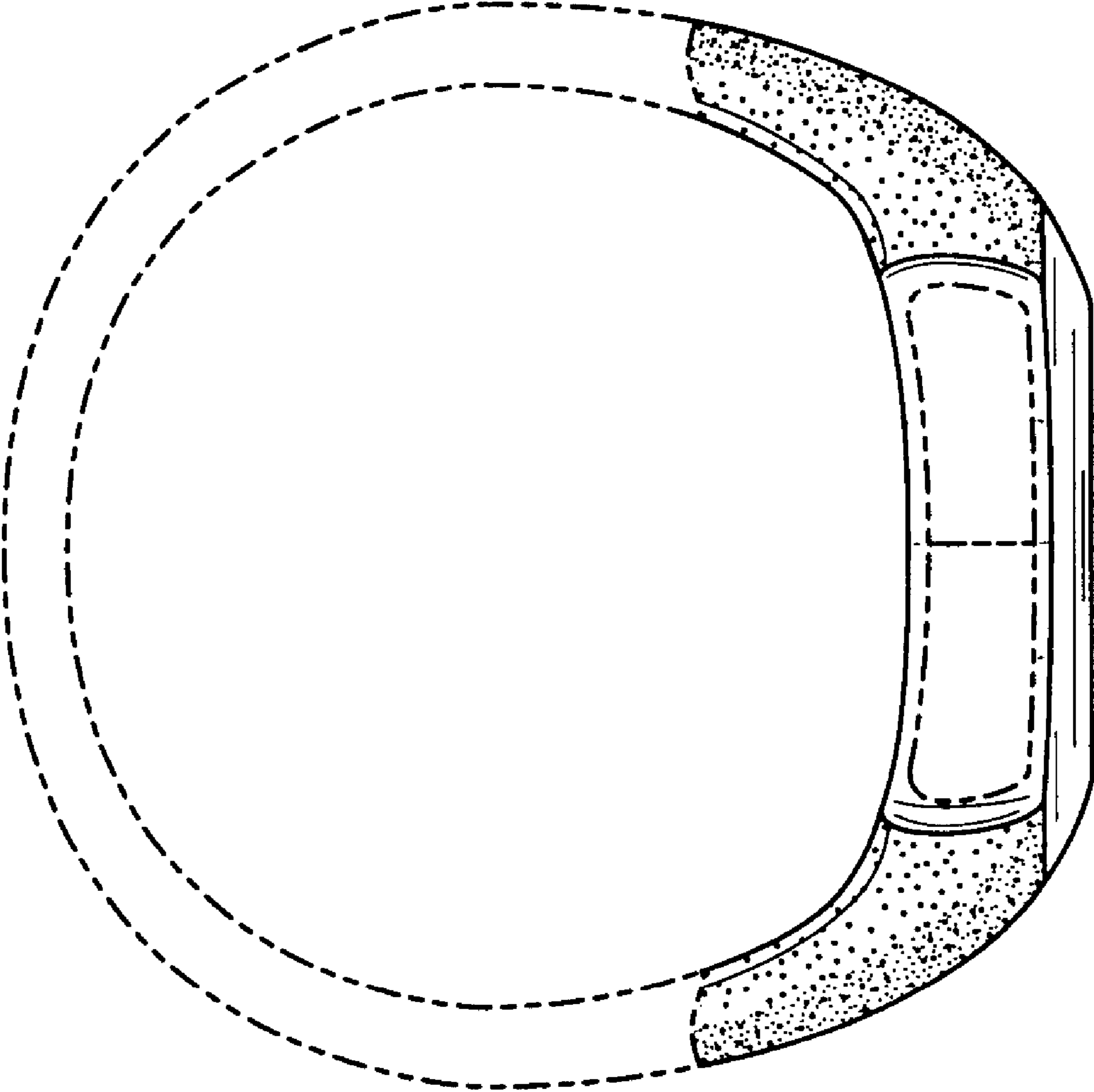


FIG. 11

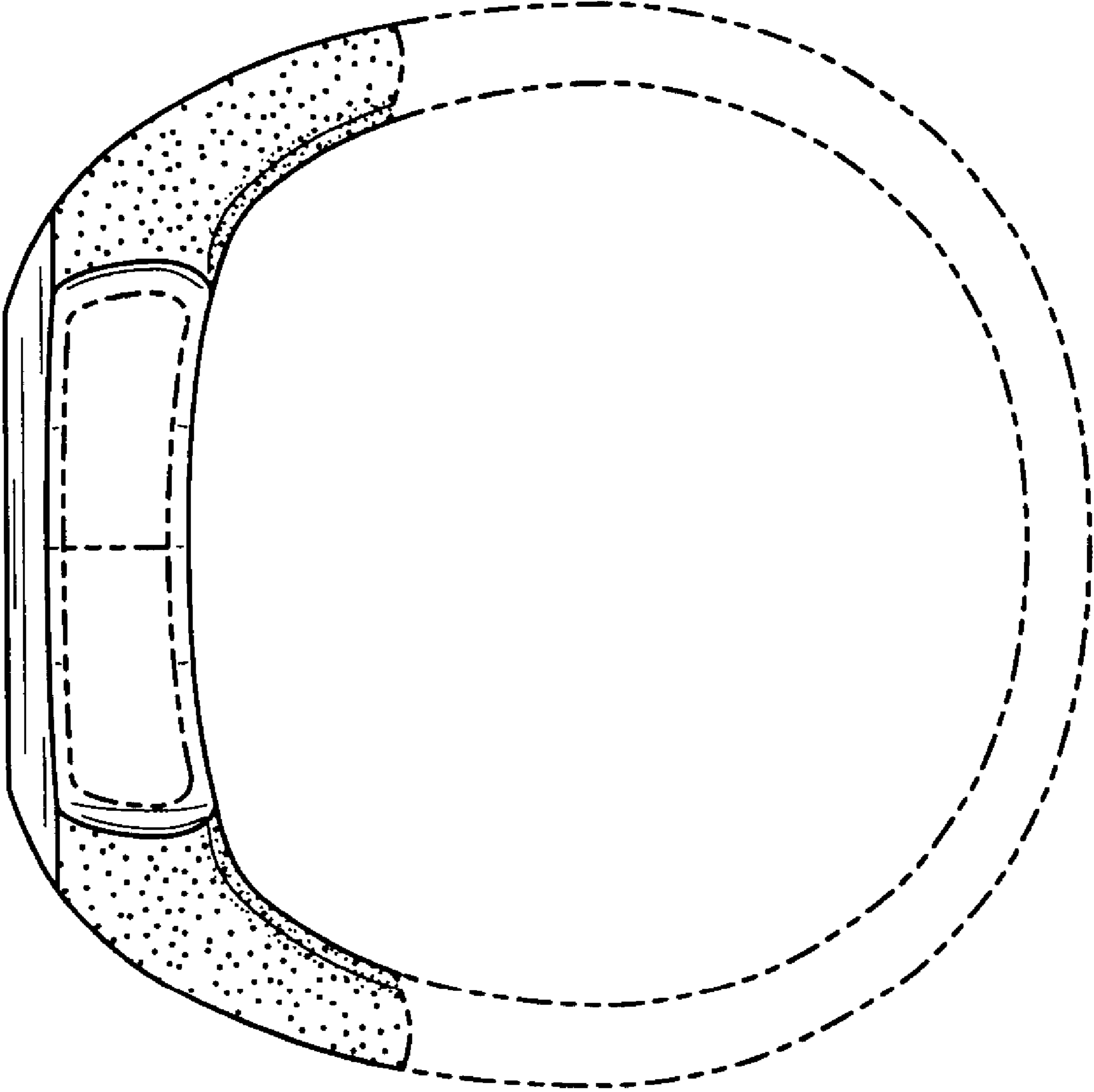


FIG. 12