

US00D503893S

(12) **United States Design Patent**  
**Kohring**

(10) **Patent No.:** **US D503,893 S**  
(45) **Date of Patent:** **\*\* Apr. 12, 2005**

(54) **RAZOR CARTRIDGE DISPENSER TAB**  
(75) Inventor: **Douglas R. Kohring**, Chelmsford, MA  
(US)  
(73) Assignee: **The Gillette Company**, Boston, MA  
(US)  
(\*\*) Term: **14 Years**  
(21) Appl. No.: **29/176,629**  
(22) Filed: **Feb. 25, 2003**

D256,997 S 9/1980 Motta ..... D9/189  
D256,998 S 9/1980 Motta ..... D9/189  
4,742,909 A 5/1988 Apprille et al. .... 206/356  
D312,568 S 12/1990 Gray ..... D9/342  
D316,962 S 5/1991 Gray ..... D9/342  
D334,885 S \* 4/1993 Eastin ..... D9/414  
D366,611 S \* 1/1996 Poisson ..... D9/736  
5,518,114 A 5/1996 Kohring et al. .... 206/352  
D426,322 S \* 6/2000 Anderson et al. .... D25/164  
6,102,374 A \* 8/2000 Macri ..... 256/24  
D475,147 S \* 5/2003 Ogawa et al. .... D25/164  
D479,611 S \* 9/2003 Ogawa et al. .... D25/113  
6,668,484 B2 \* 12/2003 Riccobene ..... 47/33

(51) **LOC (7) Cl.** ..... **09-03**  
(52) **U.S. Cl.** ..... **D9/736**  
(58) **Field of Search** ..... D9/735-737, 748,  
D9/749, 414; D3/205; D8/1; D25/113, 115,  
117, 164; 206/352-360; 220/555, 556;  
47/33

\* cited by examiner

*Primary Examiner*—Stella Reid  
*Assistant Examiner*—Mark A. Goodwin  
(74) *Attorney, Agent, or Firm*—Donal B. Tobin

(56) **References Cited**

**U.S. PATENT DOCUMENTS**

D224,997 S 10/1972 Petrillo ..... D9/187  
D226,553 S 3/1973 Glaberson ..... D9/189  
D227,752 S \* 7/1973 Muncey ..... D9/735  
3,797,657 A 3/1974 Petrillo ..... 206/356  
D231,198 S 4/1974 Casselli et al. .... D9/189  
3,835,532 A 9/1974 Petrillo ..... 30/40.2  
D233,417 S 10/1974 Pomfret ..... D9/189  
3,880,284 A 4/1975 Pomfret ..... 206/354  
D240,507 S 7/1976 Hood ..... D9/189  
4,030,598 A 6/1977 Pentney ..... 206/356  
D247,349 S 2/1978 Carr ..... D9/186  
4,173,285 A 11/1979 Kiraly et al. .... 206/356  
D256,996 S 9/1980 Kiraly ..... D9/189

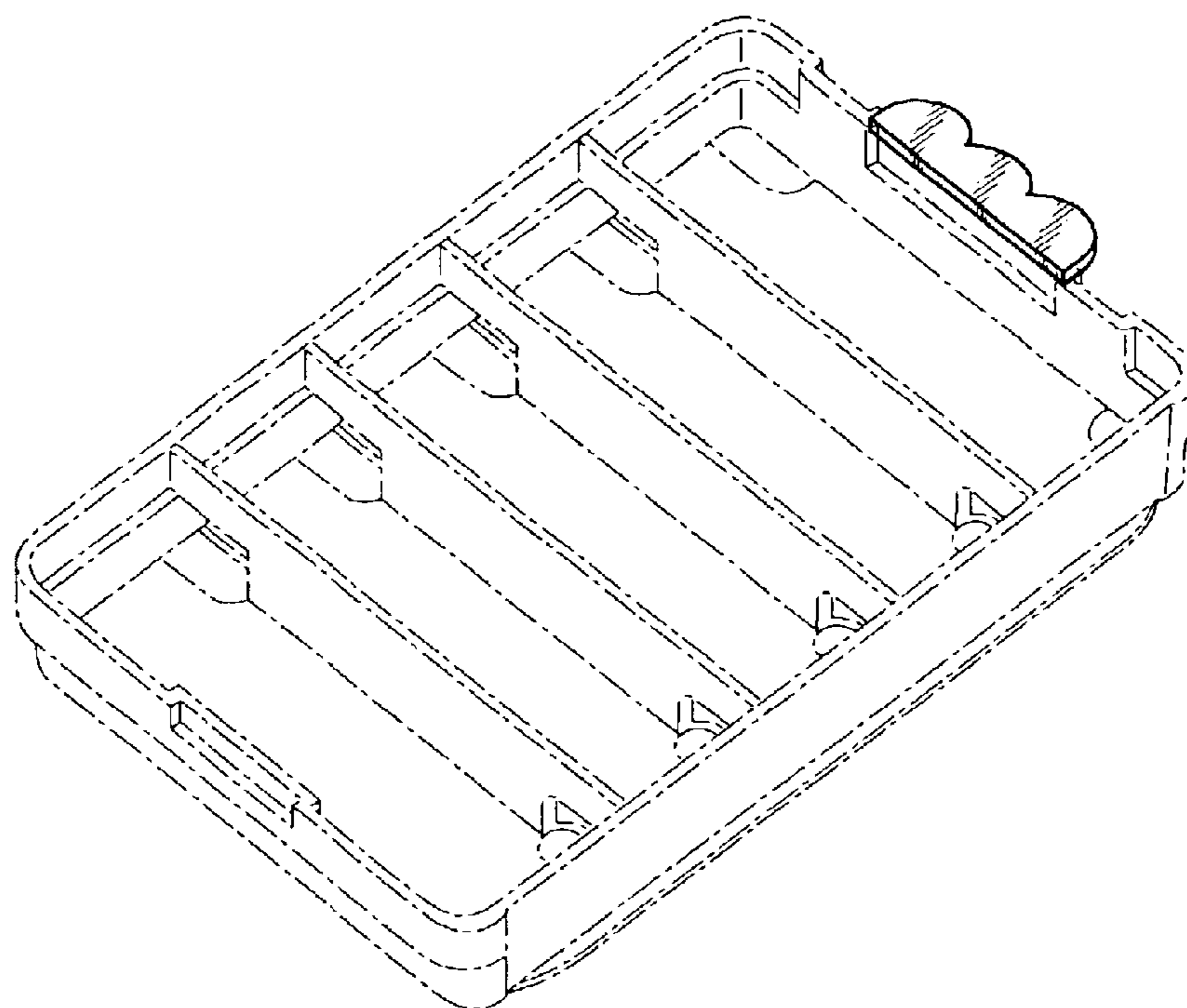
(57) **CLAIM**

The ornamental design for a razor cartridge dispenser tab, as shown and described.

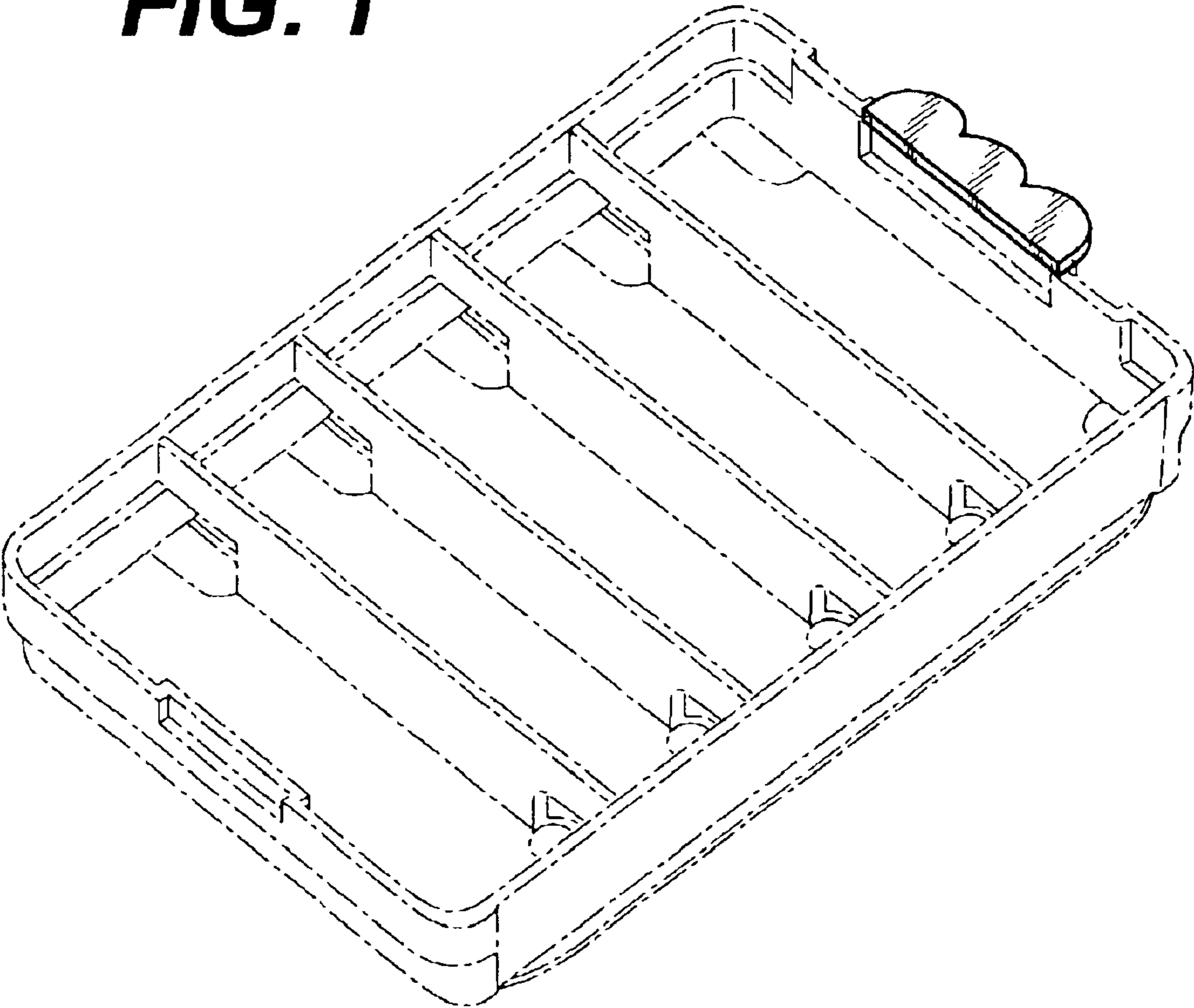
**DESCRIPTION**

FIG. 1 is a top right perspective view of a razor cartridge dispenser tab showing my new design; FIG. 2 is a top plan view thereof; FIG. 3 is a rear elevational view thereof; FIG. 4 is a right side view thereof; the left side view being a mirror image thereof; FIG. 5 is a front elevational view thereof; and, FIG. 6 is a bottom plan view thereof. The broken lines shown in all the views is for illustrative purposes only and forms no part of the claimed design.

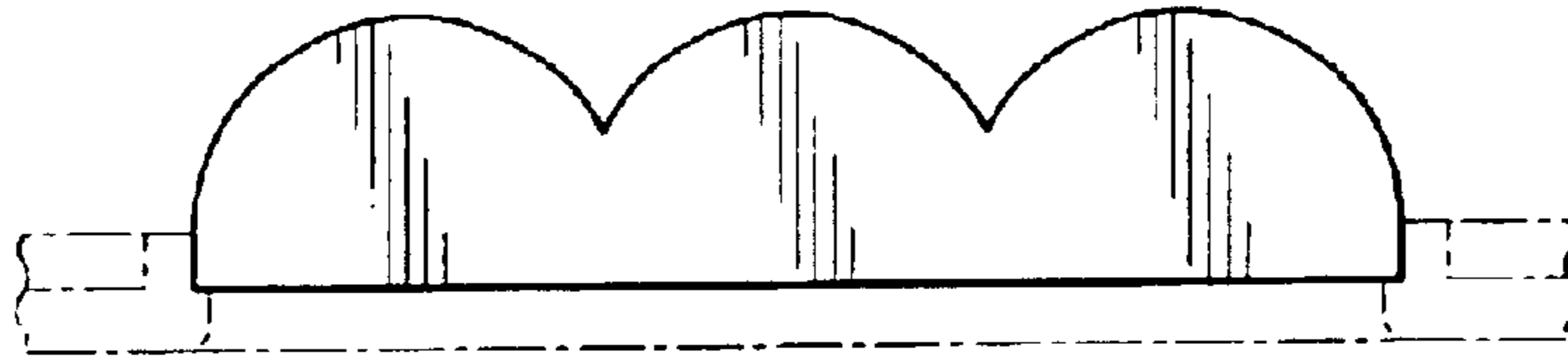
**1 Claim, 2 Drawing Sheets**



**FIG. 1**



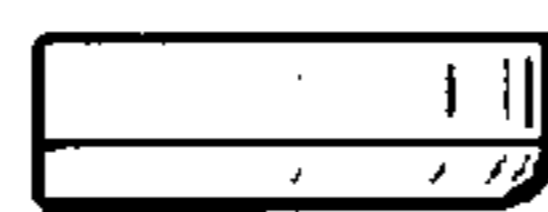
**FIG. 2**



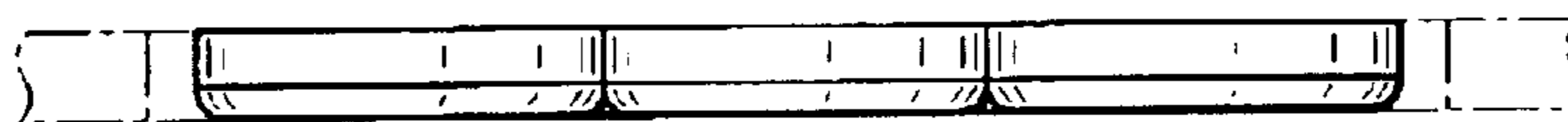
**FIG. 3**



**FIG. 4**



**FIG. 5**



**FIG. 6**

