

US00D503891S

(12) **United States Design Patent**
Morris et al.

(10) **Patent No.: US D503,891 S**
(45) **Date of Patent: ** Apr. 12, 2005**

(54) **ICE PACKAGE**

(75) Inventors: **Virginia Louise Morris**, Westport, CT (US); **Daniel Richard Armin**, Coram, NY (US)

(73) Assignee: **Allied Domecq International Holding BV**, Etten-Leur (NL)

(**) Term: **14 Years**

(21) Appl. No.: **29/196,213**

(22) Filed: **Dec. 24, 2003**

(51) **LOC (7) Cl.** **09-03**

(52) **U.S. Cl.** **D9/634; D9/751; D9/757**

(58) **Field of Search** D9/634, 751, 757, D9/737, 415, 418, 456; D7/603, 672; D3/271.5, 283, 284, 294, 295, 905; 206/387.13, 473

(56) **References Cited**

U.S. PATENT DOCUMENTS

1,123,537 A	1/1915	Huizer	
1,943,384 A	1/1934	Hall	
2,015,496 A	9/1935	Platt	
3,576,113 A	4/1971	Swett et al.	
3,743,081 A	* 7/1973	Roberg et al. 206/387.13
3,834,437 A	9/1974	Swett et al.	
4,550,575 A	11/1985	DeGaynor	
4,625,518 A	12/1986	Freedman	

4,641,750 A	*	2/1987	Johnson et al.	206/387.13
4,892,195 A	*	1/1990	Slavin et al.	206/473
D308,331 S	*	6/1990	Slavin et al.	D9/737
D473,054 S	*	4/2003	Roehrig	D3/295

* cited by examiner

Primary Examiner—Mitchell Siegel
Assistant Examiner—Mark A. Goodwin

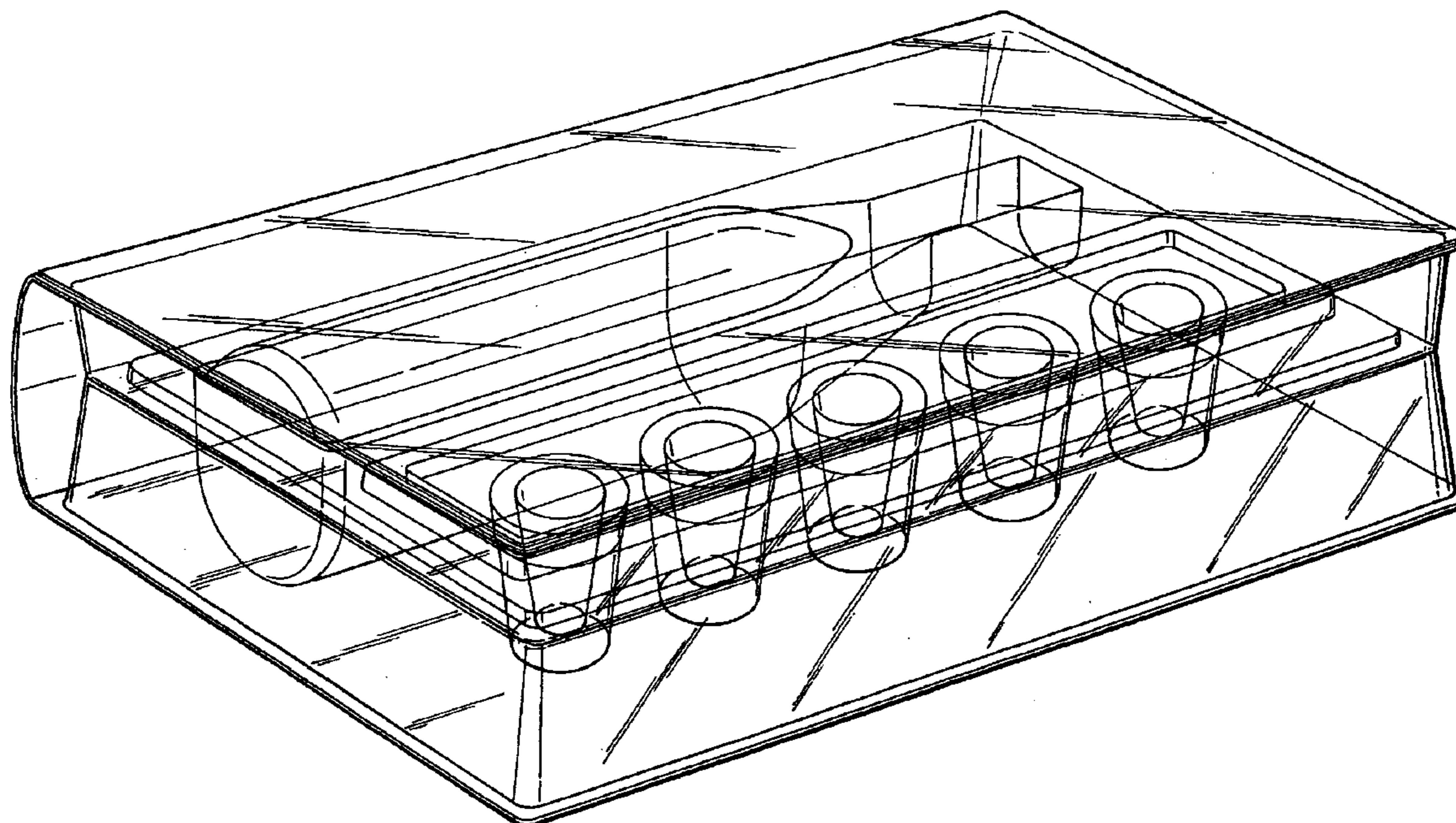
(57) **CLAIM**

The ornamental design for an ice package, as shown and described.

DESCRIPTION

FIG. 1 is a perspective view of an ice package showing our new design, in a closed condition;
FIG. 2 is a top plan view thereof;
FIG. 3 is a side view thereof;
FIG. 4 is a side view from the opposite side to FIG. 3;
FIG. 5 is an end view thereof;
FIG. 6 is an end view from the opposite end to FIG. 5;
FIG. 7 is a bottom plan view thereof;
FIG. 8 is a cross sectional view along the line 8—8 of FIG. 2;
FIG. 9 is a cross sectional view on the line of 9—9 of FIG. 2; and,
FIG. 10 is a perspective view thereof, in an open condition.

1 Claim, 7 Drawing Sheets



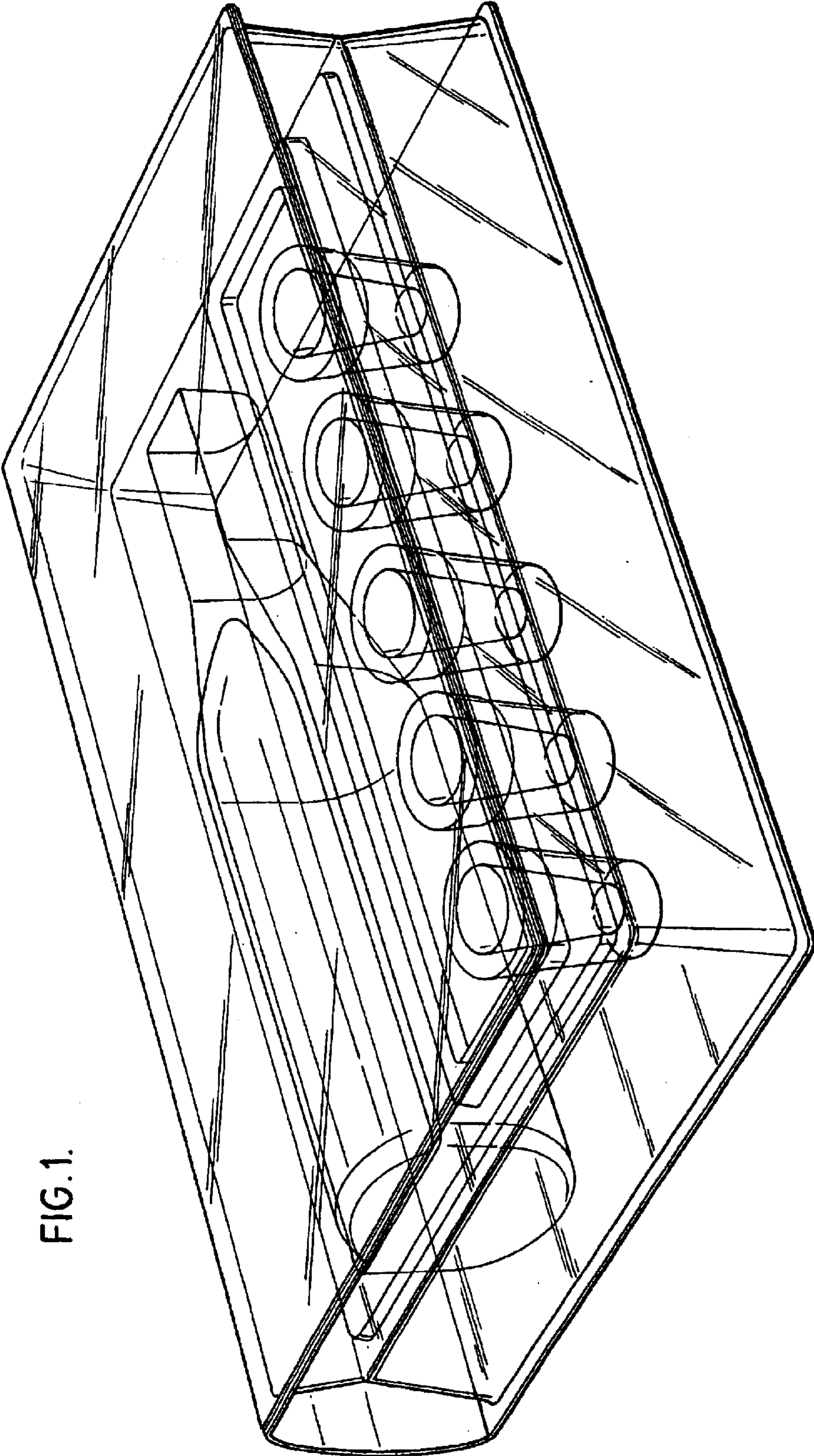


FIG.1.

FIG. 2.

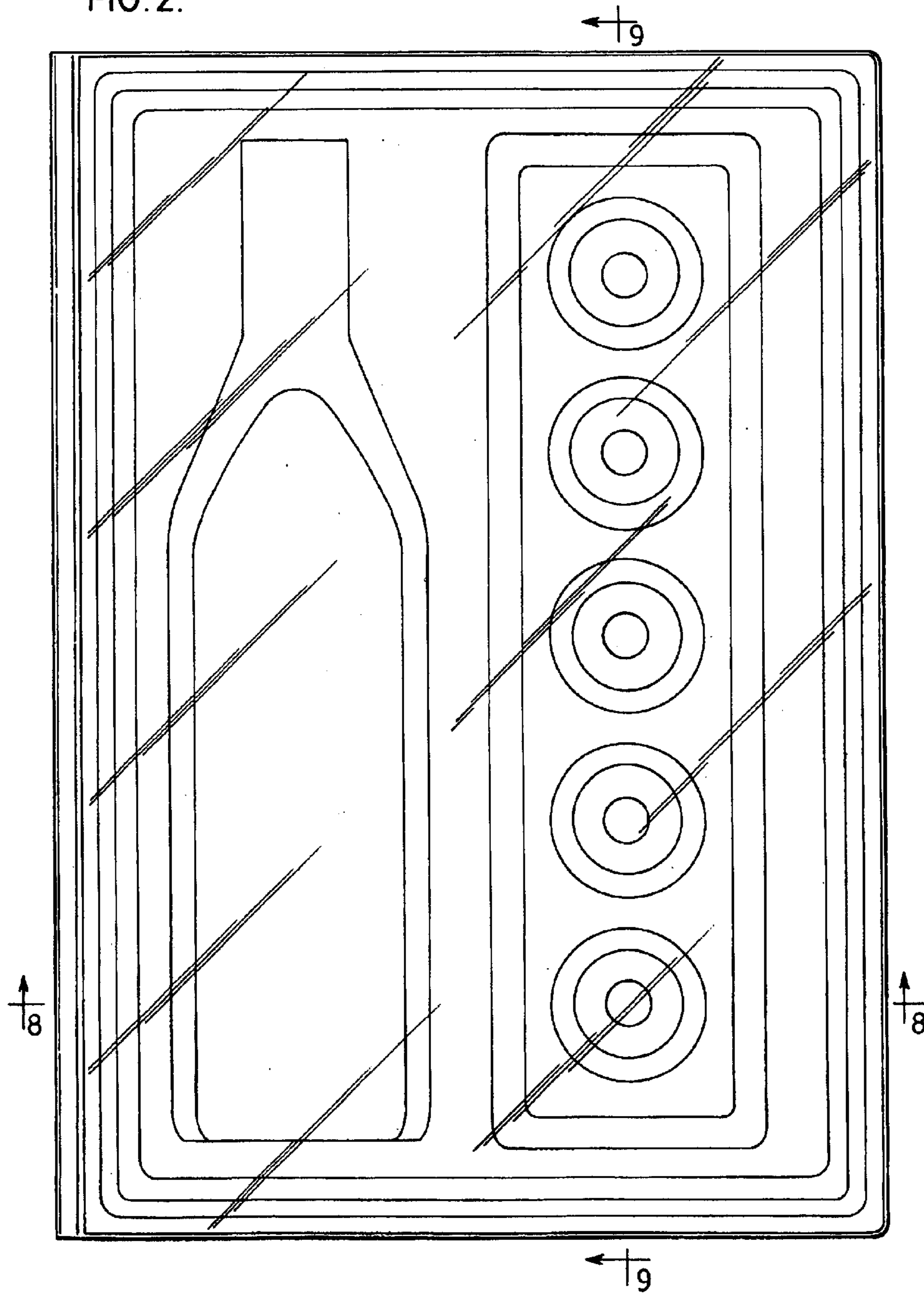


FIG. 3.

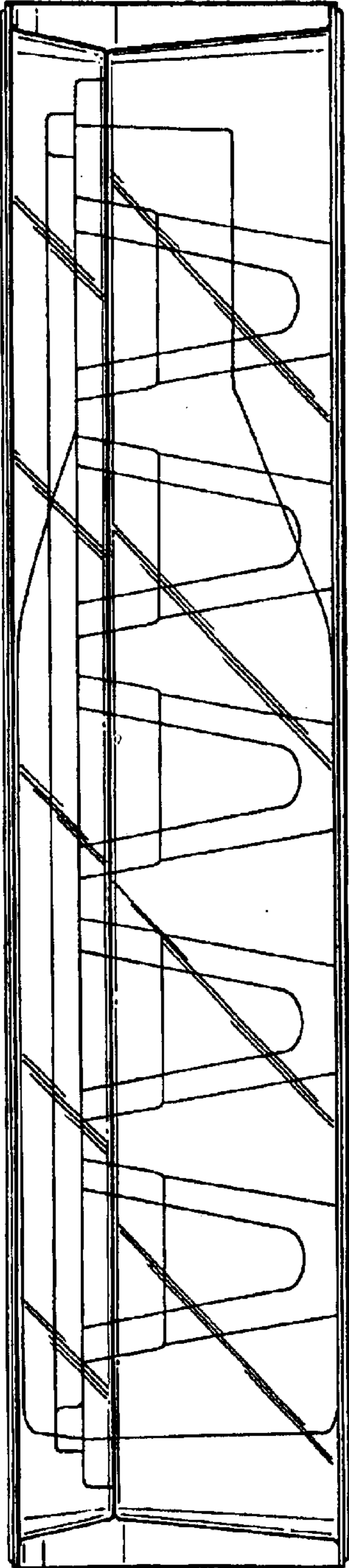


FIG. 4.

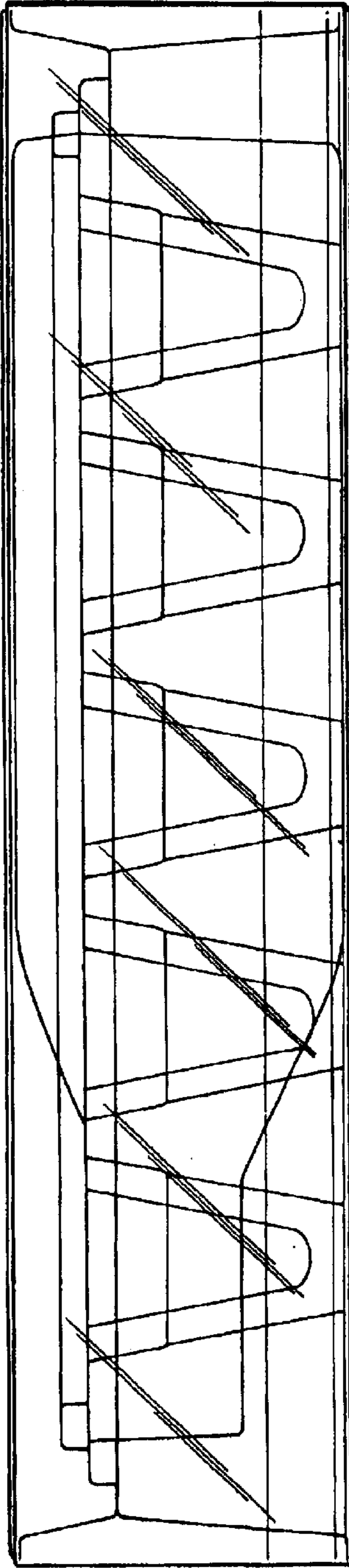


FIG. 5.

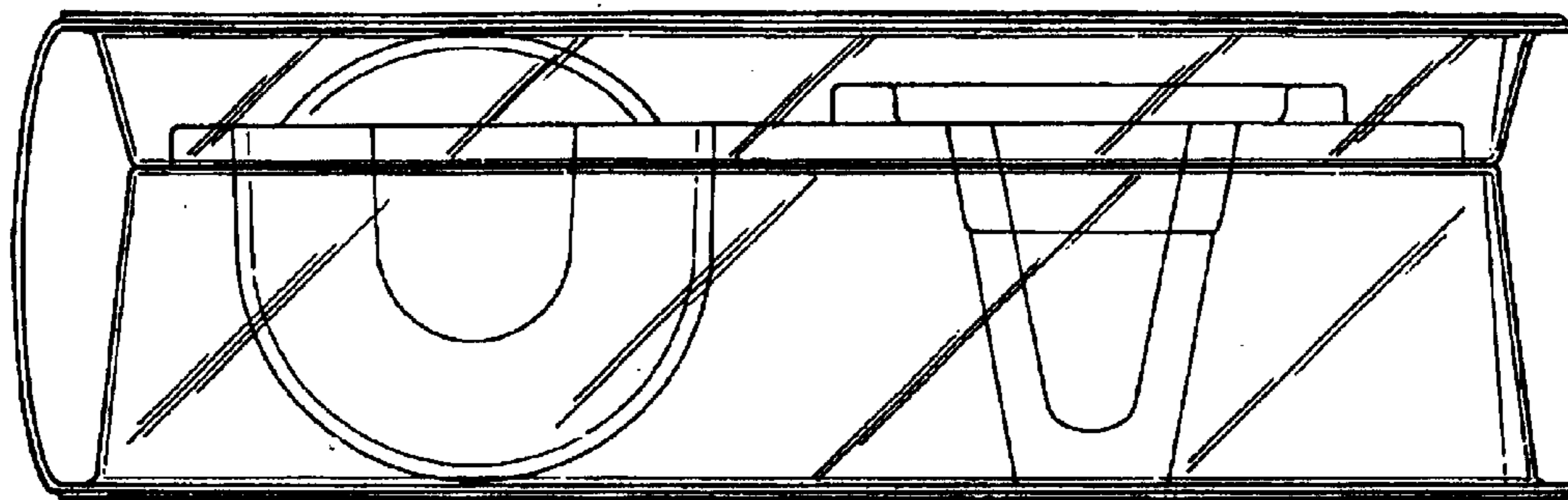


FIG. 6.

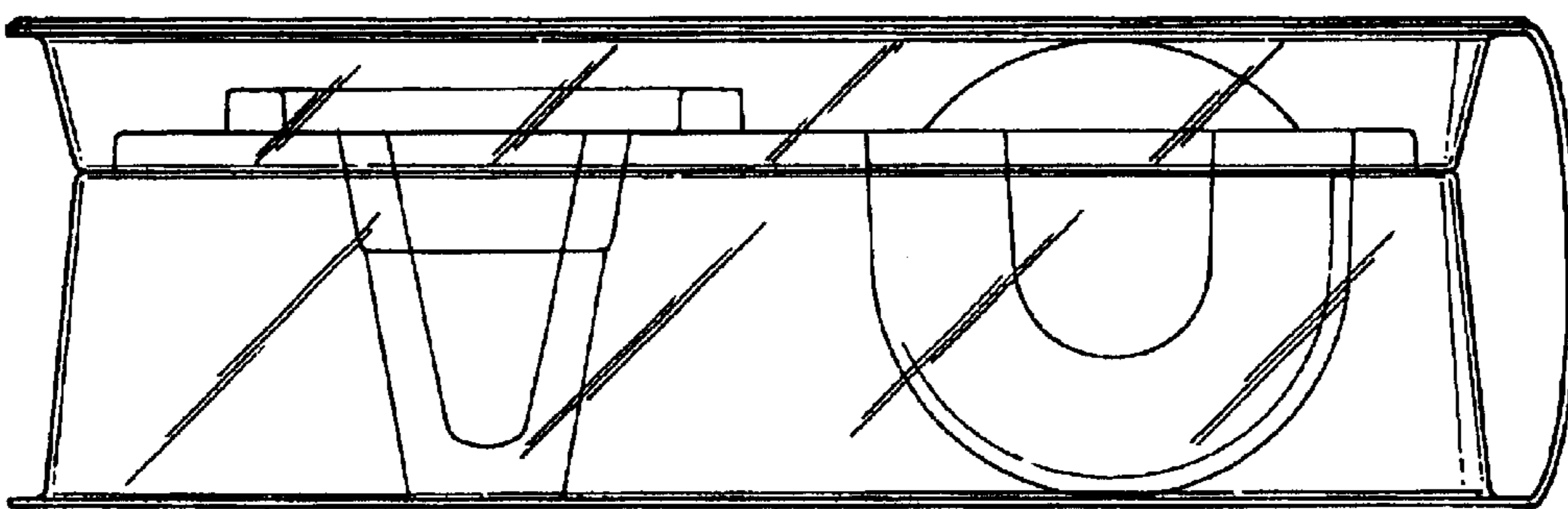
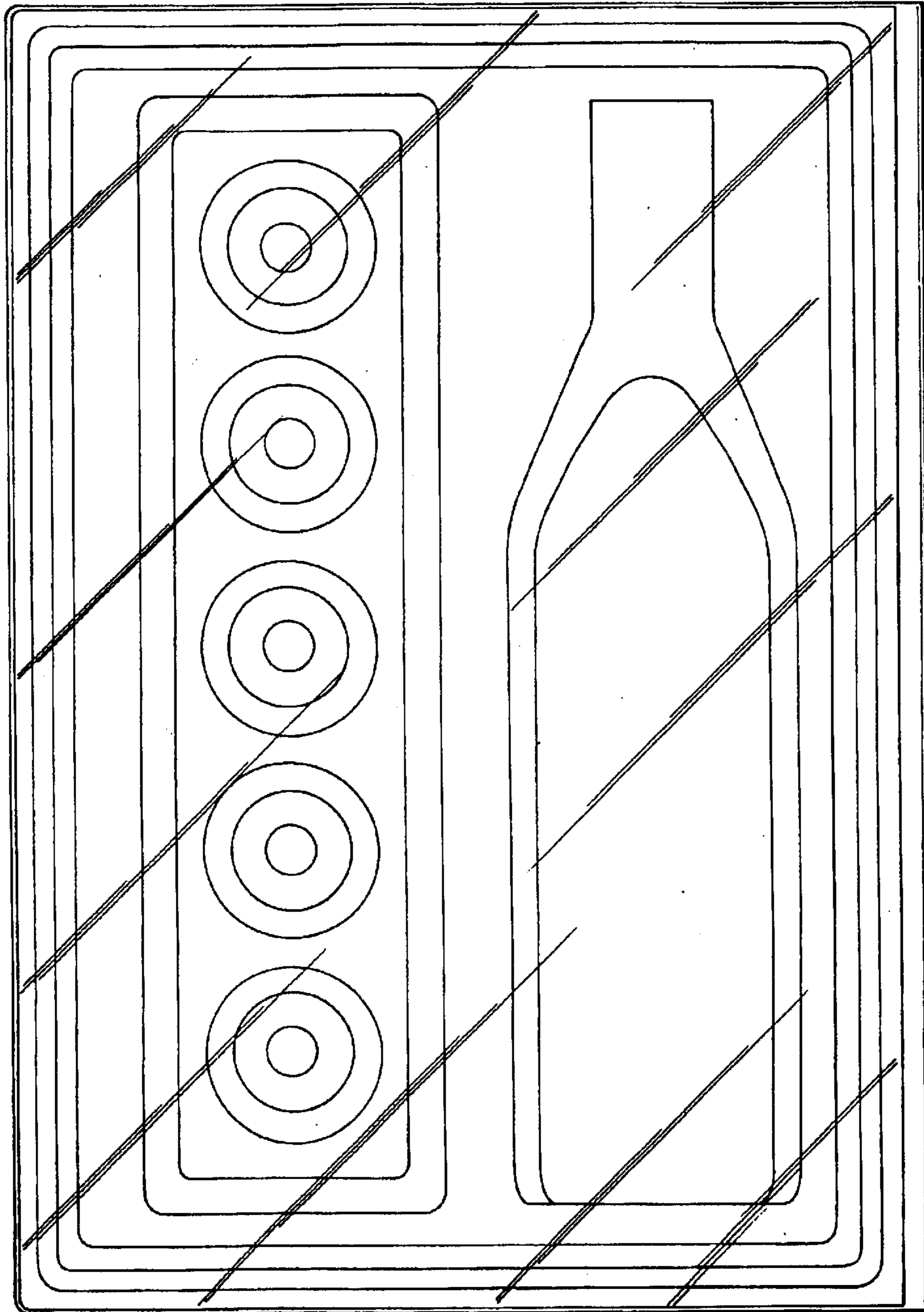


FIG. 7.



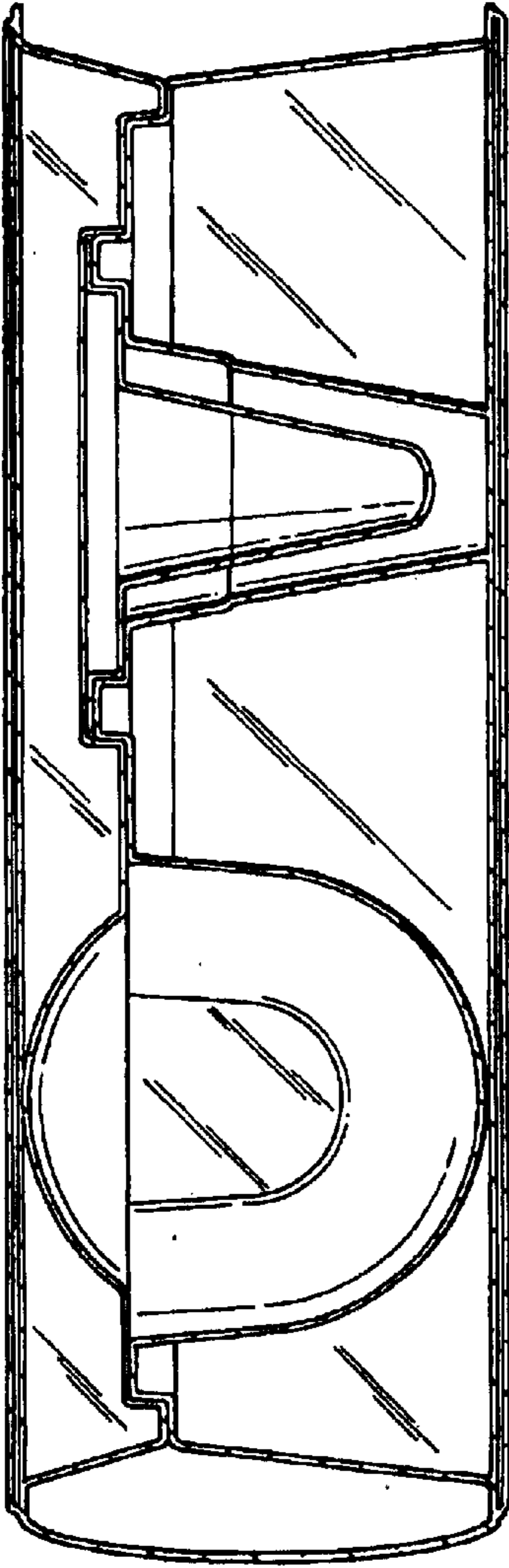


FIG. 8.

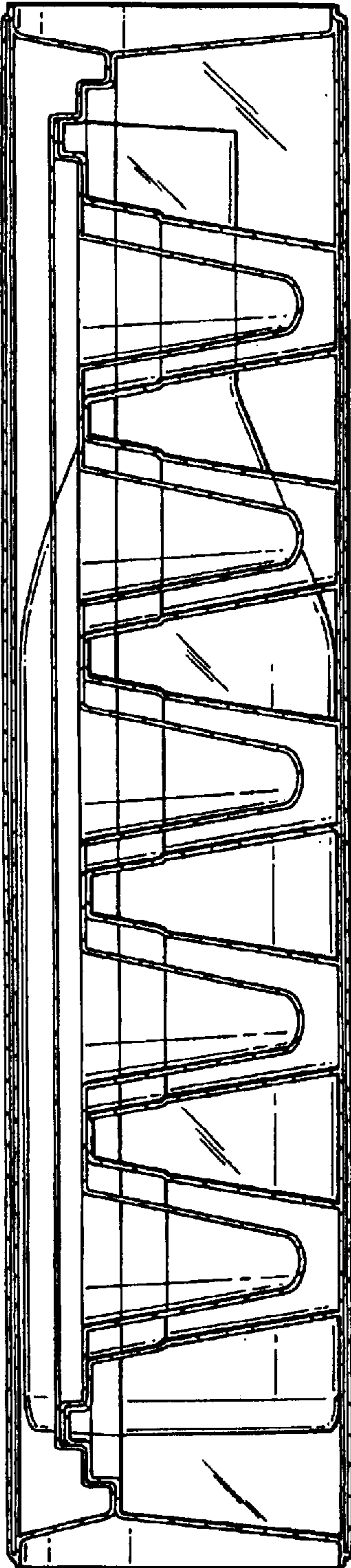


FIG. 9.

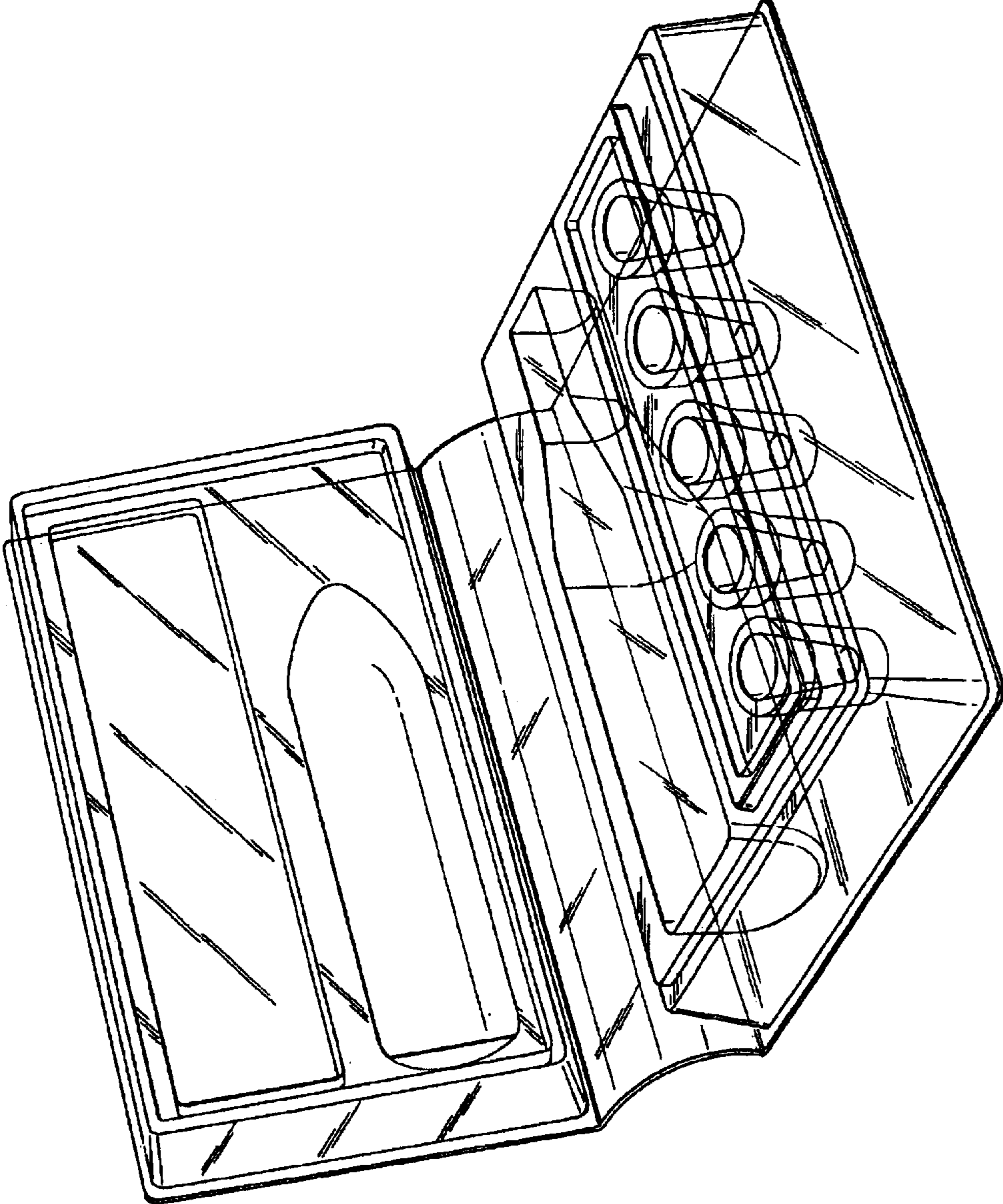


FIG.10.