

US00D503884S

(12) **United States Design Patent**  
**Camilleri-Oller et al.**

(10) **Patent No.:** **US D503,884 S**  
(45) **Date of Patent:** **\*\* Apr. 12, 2005**

(54) **COMBINED RIBBON AND PACKAGING BOX FOR A COSMETICS OR SKIN CARE PRODUCT**

(76) Inventors: **Lori Michele Camilleri-Oller**, 260 Union St., Apt. 2, Brooklyn, NY (US) 11231; **Mark Oran Oller**, 260 Union St., Apt. 2, Brooklyn, NY (US) 11231

(\*\*) Term: **14 Years**

(21) Appl. No.: **29/191,252**

(22) Filed: **Oct. 3, 2003**

(51) **LOC (7) Cl.** ..... **09-03**

(52) **U.S. Cl.** ..... **D9/432; D9/419**

(58) **Field of Search** ..... D9/432, 337, 414, D9/419, 424, 499; 206/524.2, 525, 527, 823; 220/200, 890, 345.1, 375, 916; 229/100, 124, 117.09, 117.23, 125.37

(56) **References Cited**

**U.S. PATENT DOCUMENTS**

1,892,722	A	*	1/1933	Dodge	.....	24/17	R
2,239,733	A	*	4/1941	Newsom	.....	229/122.32	
2,290,971	A	*	7/1942	King	.....	229/120.011	
2,362,181	A	*	11/1944	Zimmerman	.....	229/120.02	
2,401,664	A	*	6/1946	Robins	.....	229/117.19	
3,104,796	A	*	9/1963	Kozlowski	.....	229/117.24	
3,973,356	A	*	8/1976	Schacht	.....	47/41.01	
D244,749	S		6/1977	Hodges			

(Continued)

**OTHER PUBLICATIONS**

Aromatherapy Associates, Advertisement, Professional Spa Magazine, p. 23, Aug. 2003 (No volume–issue numbers), Publisher; Mark Maloney, London, England.

*Primary Examiner*—Stella Reid  
*Assistant Examiner*—Daniel Bui

(74) *Attorney, Agent, or Firm*—Lucius L. Lockwood; Lewis and Roca LLP

(57) **CLAIM**

The ornamental design for a combined ribbon and packaging box for a cosmetics or skin care product, as shown and described.

**DESCRIPTION**

A portion of the disclosure of this patent document contains material to which a claim for copyright is made. The copyright owner has no objection to the facsimile reproduction by anyone of the patent document or the patent disclosure, as it appears in the Patent and Trademark patent file or records, but reserves all other copyrights whatsoever.

FIG. 1 is a front perspective view of a combined ribbon and packaging box for a cosmetics or skin care product in closed position showing our new design;

FIG. 2 is a front perspective view of the combined ribbon and packaging box for a cosmetics or skin care product of FIG. 1, shown in open position;

FIG. 3 is a right elevational view of the combined ribbon and packaging box as shown in FIG. 1;

FIG. 4 is a front elevational view of the combined ribbon and packaging box as shown in FIG. 1;

FIG. 5 is a front elevational view of the combined ribbon and packaging box as shown in FIG. 2;

FIG. 6 is a right elevational view of the combined ribbon and packaging box as shown in FIG. 2;

FIG. 7 is a left elevational view of the combined ribbon and packaging box as shown in FIG. 1;

FIG. 8 is a rear elevational view of the combined ribbon and packaging box as shown in FIG. 1;

FIG. 9 is a top plan view of the combined ribbon and packaging box as shown in FIG. 1;

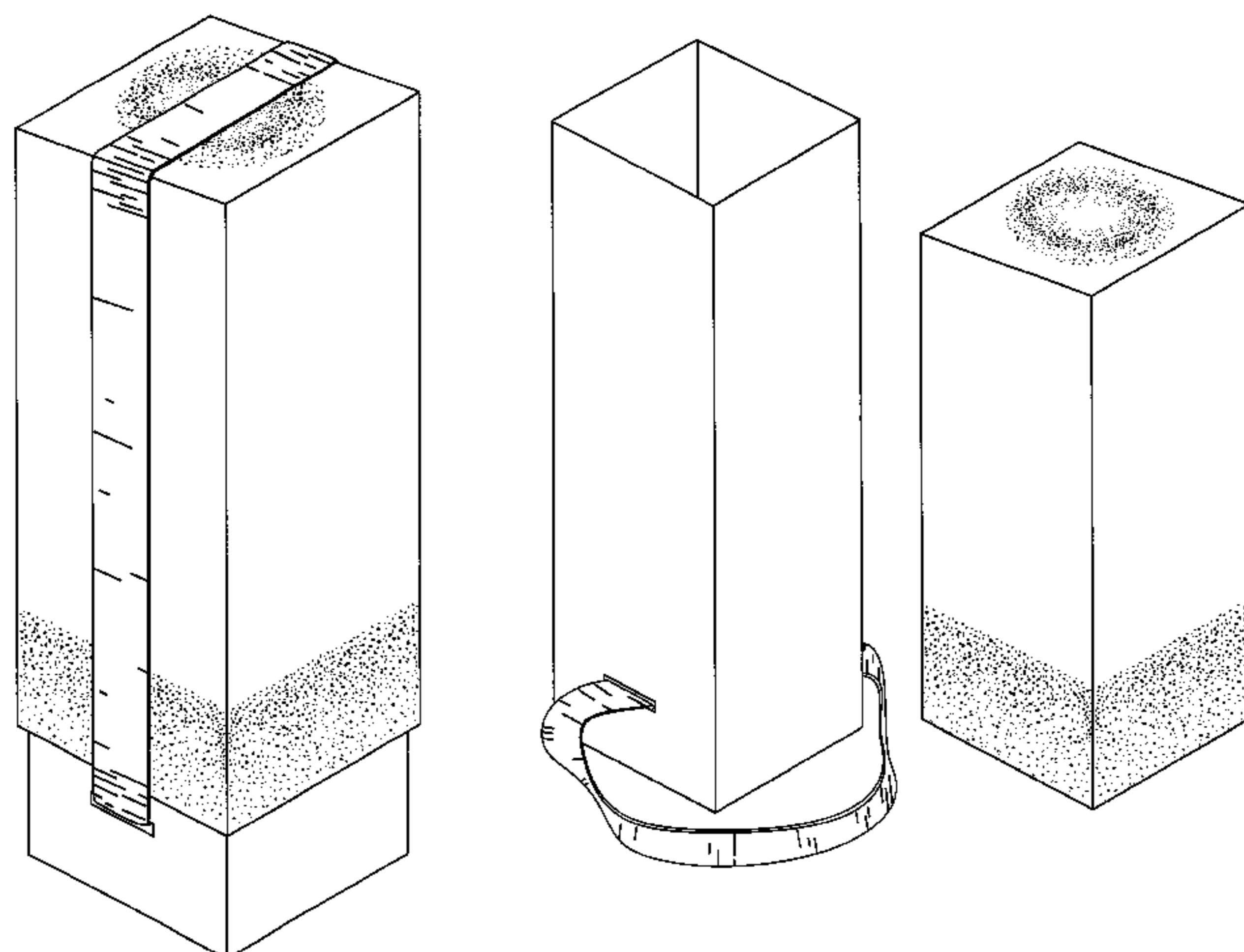
FIG. 10 is a top plan view of the combined ribbon and packaging box as shown in FIG. 2;

FIG. 11 is a left elevational view of the combined ribbon and packaging box as shown in FIG. 2; and,

FIG. 12 is a rear elevational view of the combined ribbon and packaging box as shown in FIG. 2.

The bottom of the combined ribbon and packaging box for a cosmetics or skin care product is flat and unornamented.

**1 Claim, 9 Drawing Sheets**



# US D503,884 S

Page 2

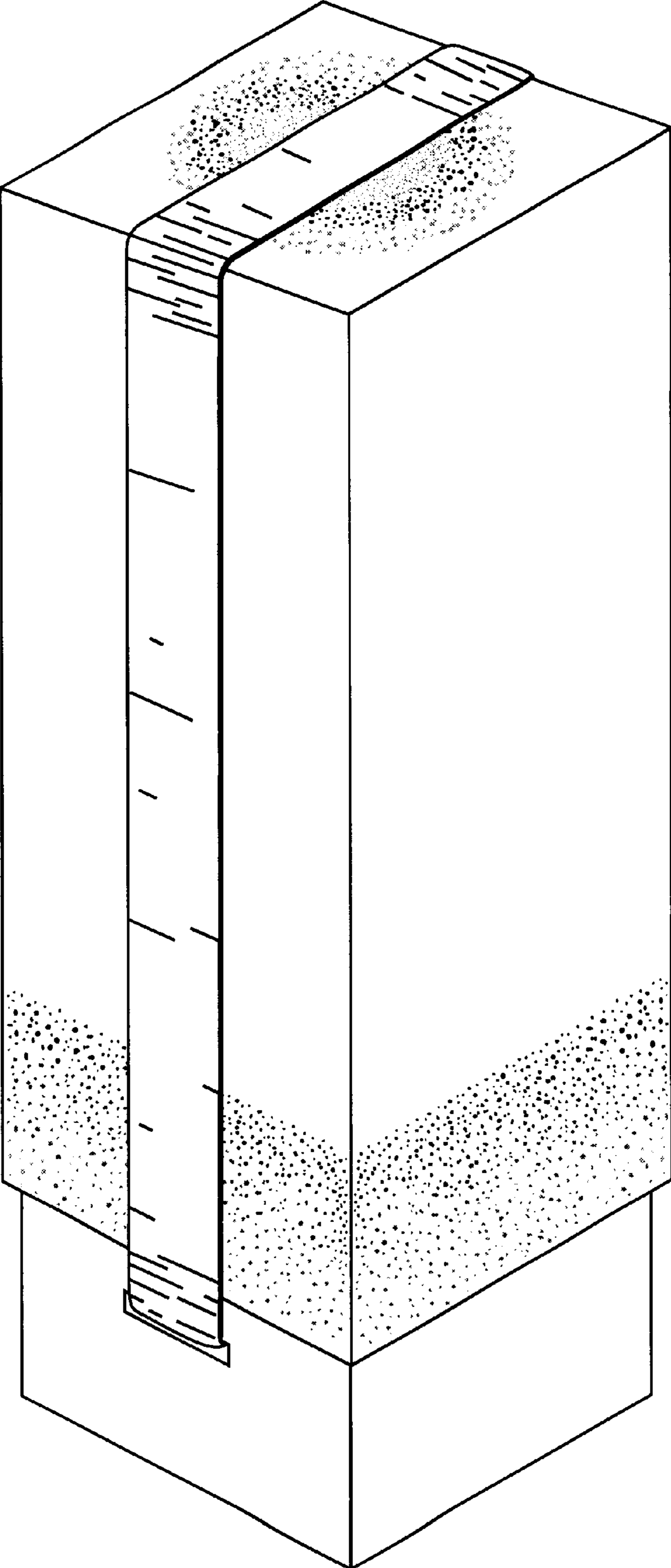
---

## U.S. PATENT DOCUMENTS

D281,668 S	12/1985	Berard		
D311,685 S	10/1990	Tozawa		
5,048,687 A *	9/1991	Suzuki et al. ....	206/497	
D330,853 S	11/1992	Koytuk		
D394,808 S	6/1998	Mansau		
D394,822 S	6/1998	Swenson et al.		
6,168,028 B1 *	1/2001	Telesca et al. ....	206/776	
D453,002 S	1/2002	Mansau		
D464,261 S	10/2002	Hereth		

\* cited by examiner

FIG. 1



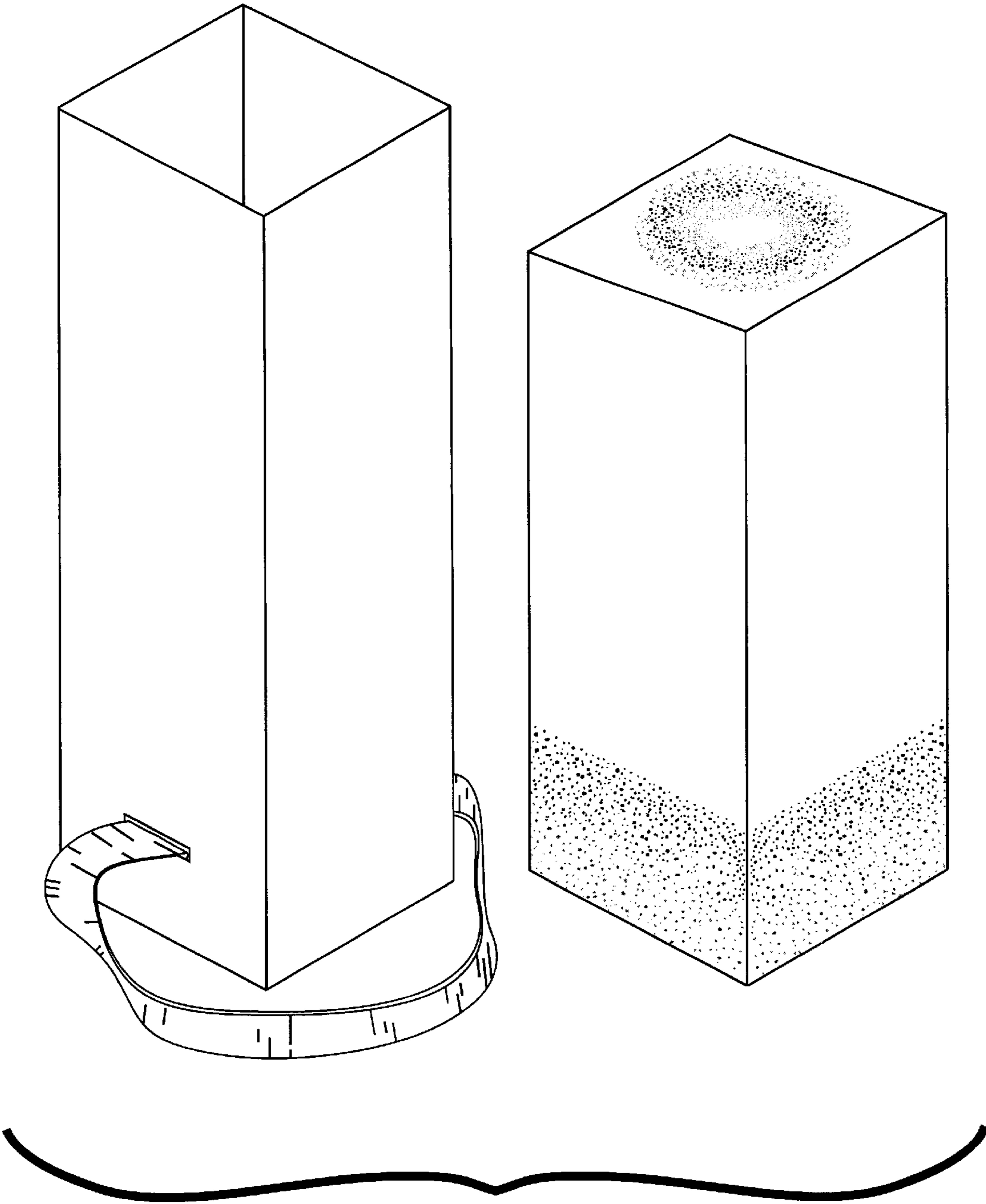


FIG. 2

FIG. 3

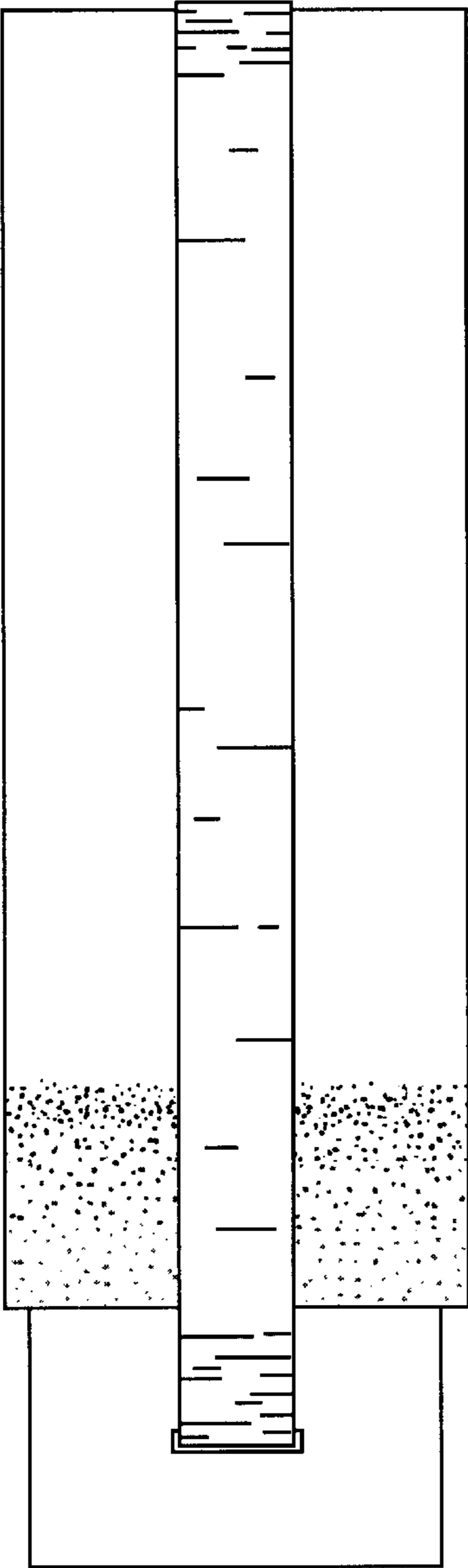
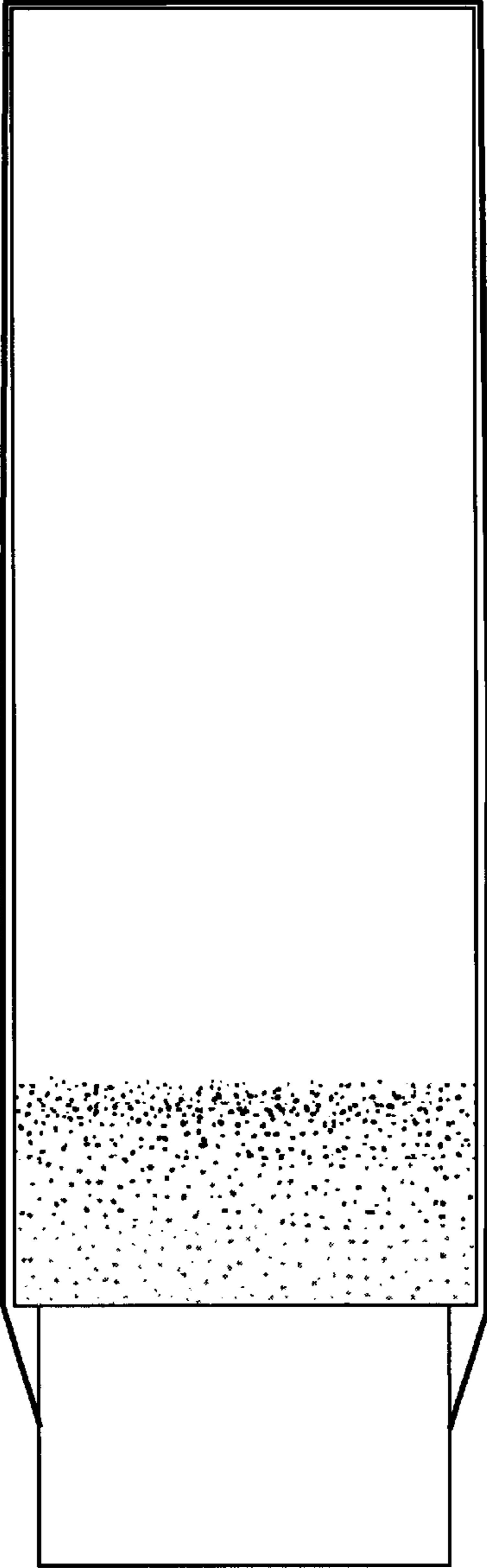


FIG. 4



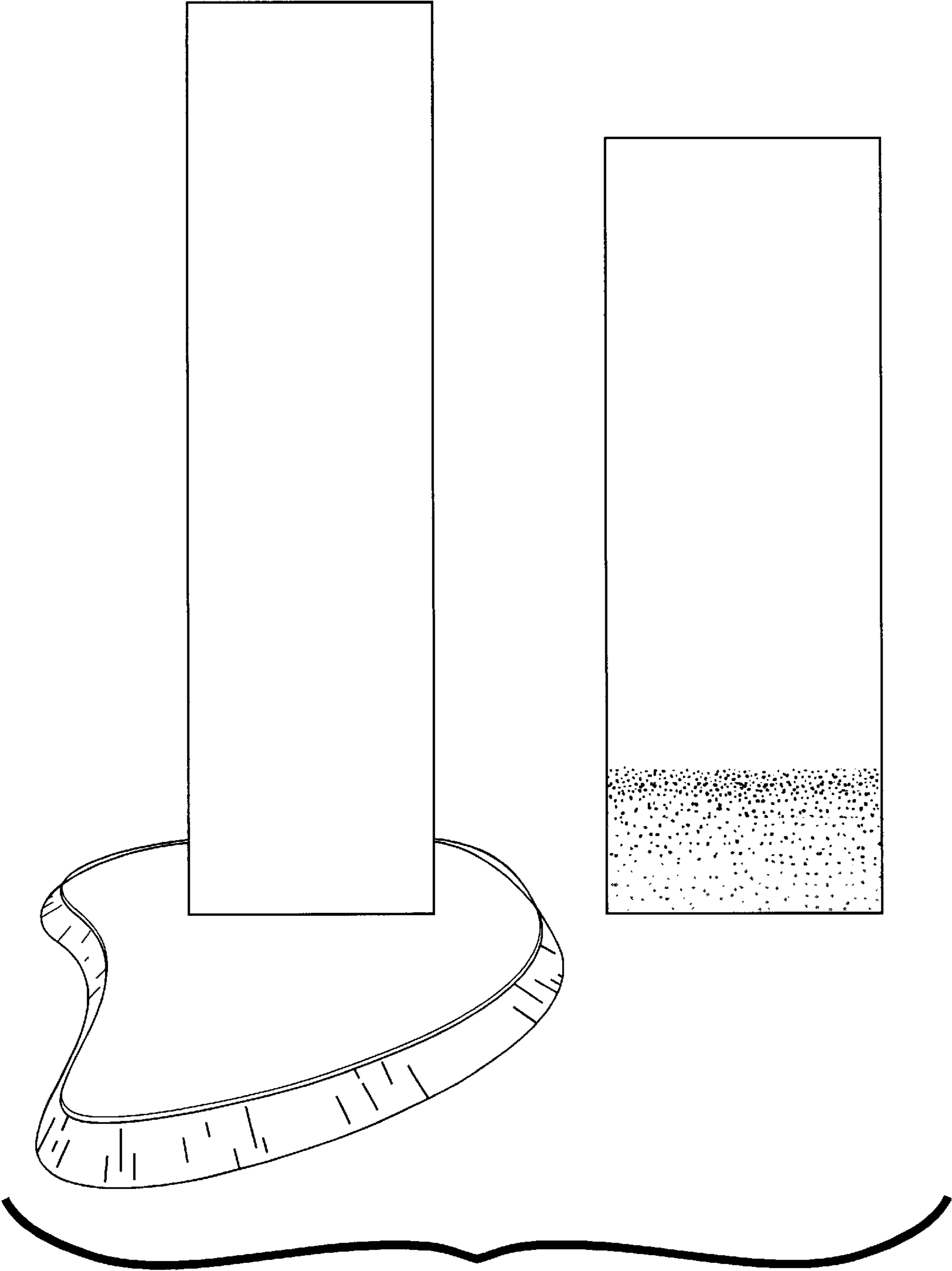


FIG. 5

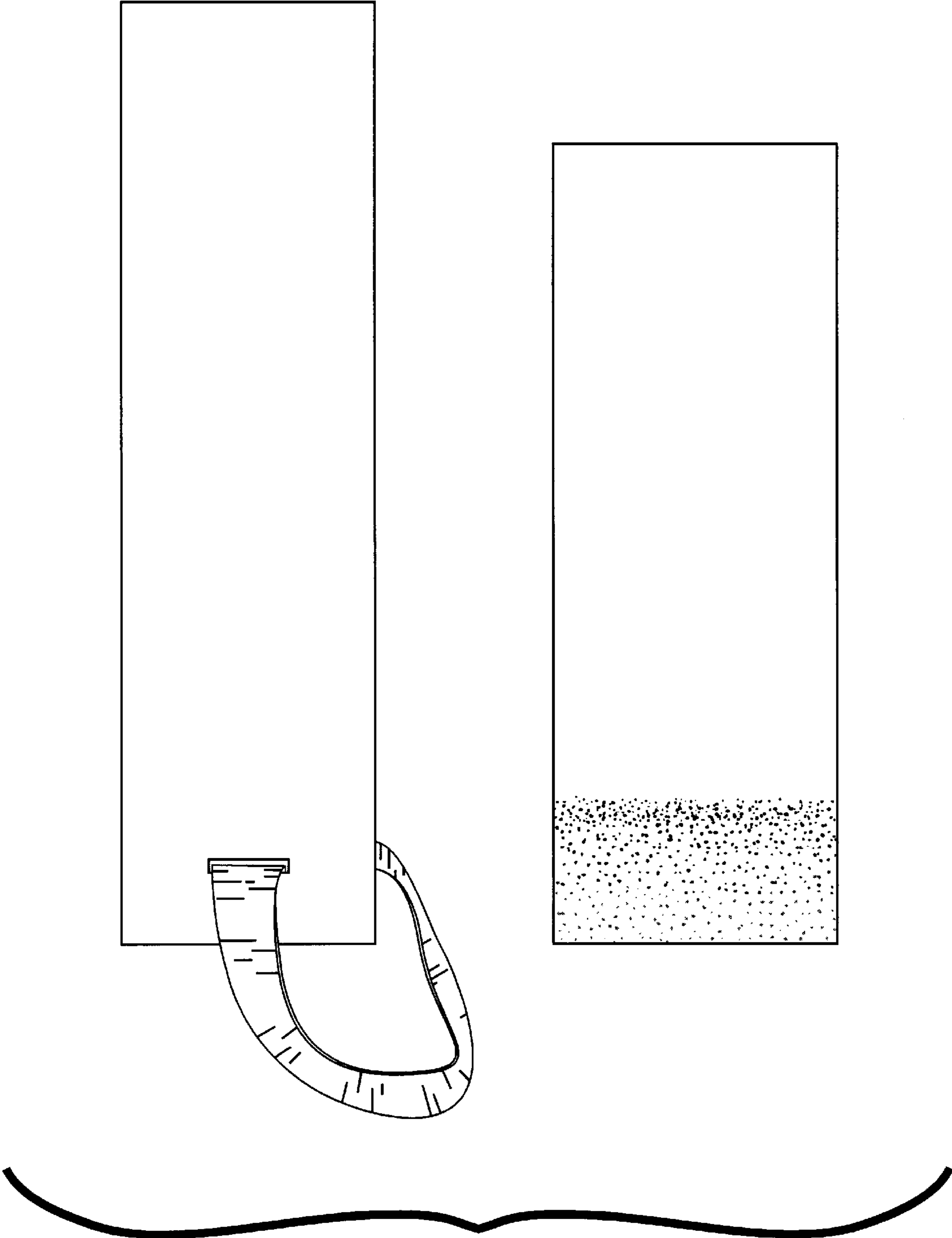


FIG. 6

FIG. 7

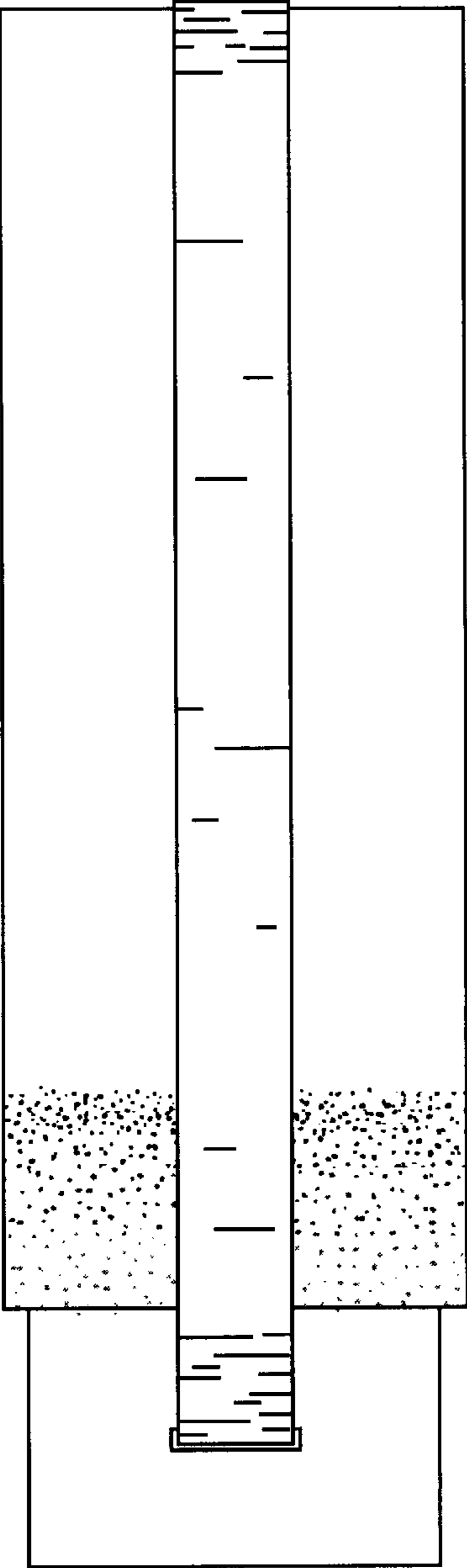


FIG. 8

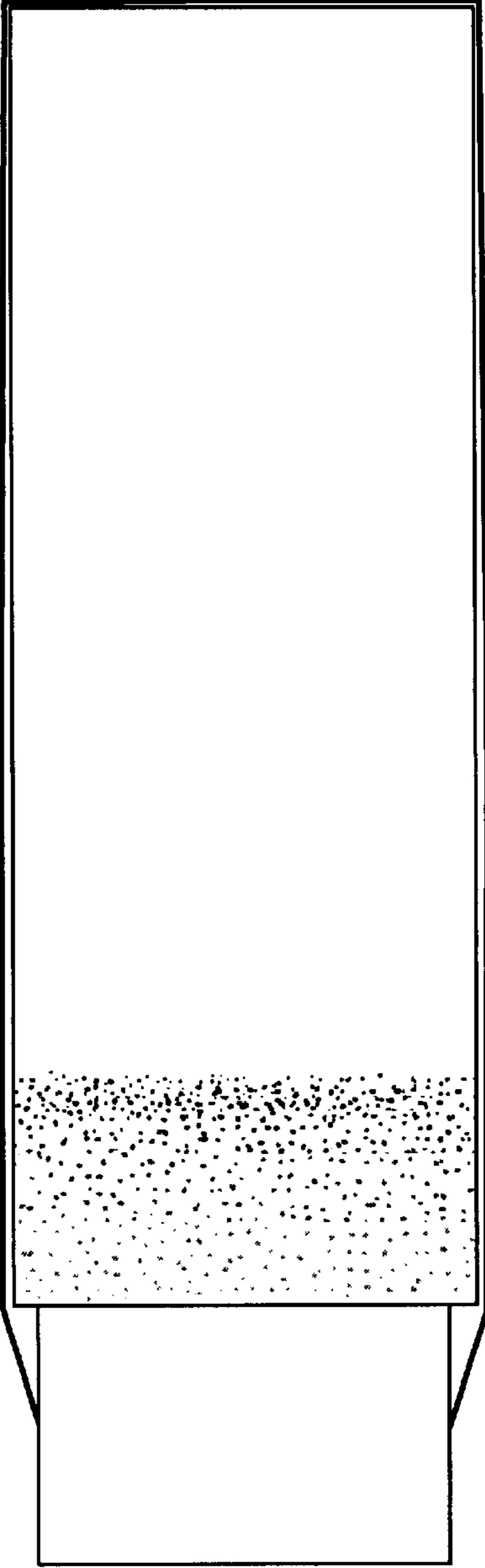




FIG. 9

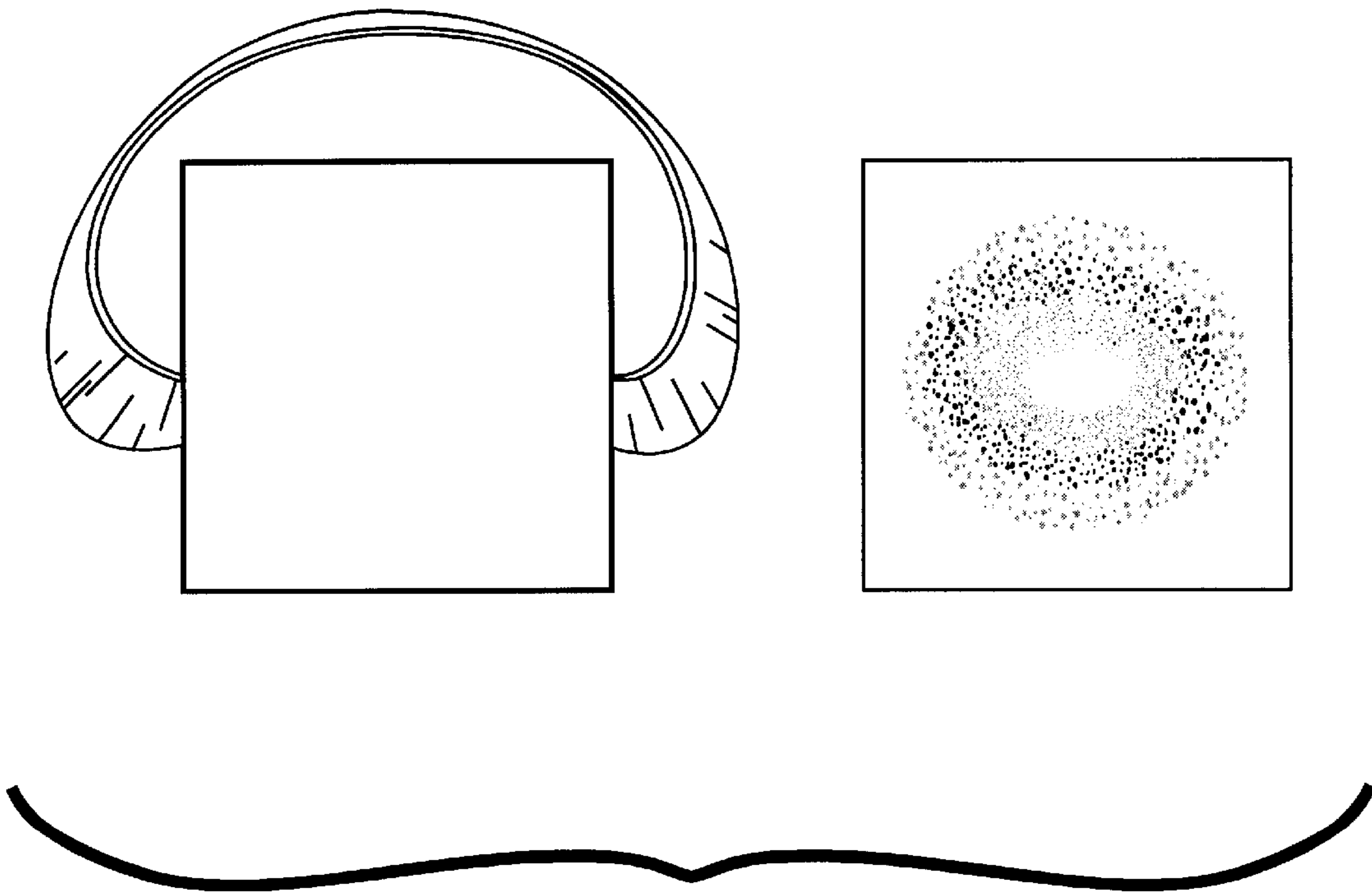
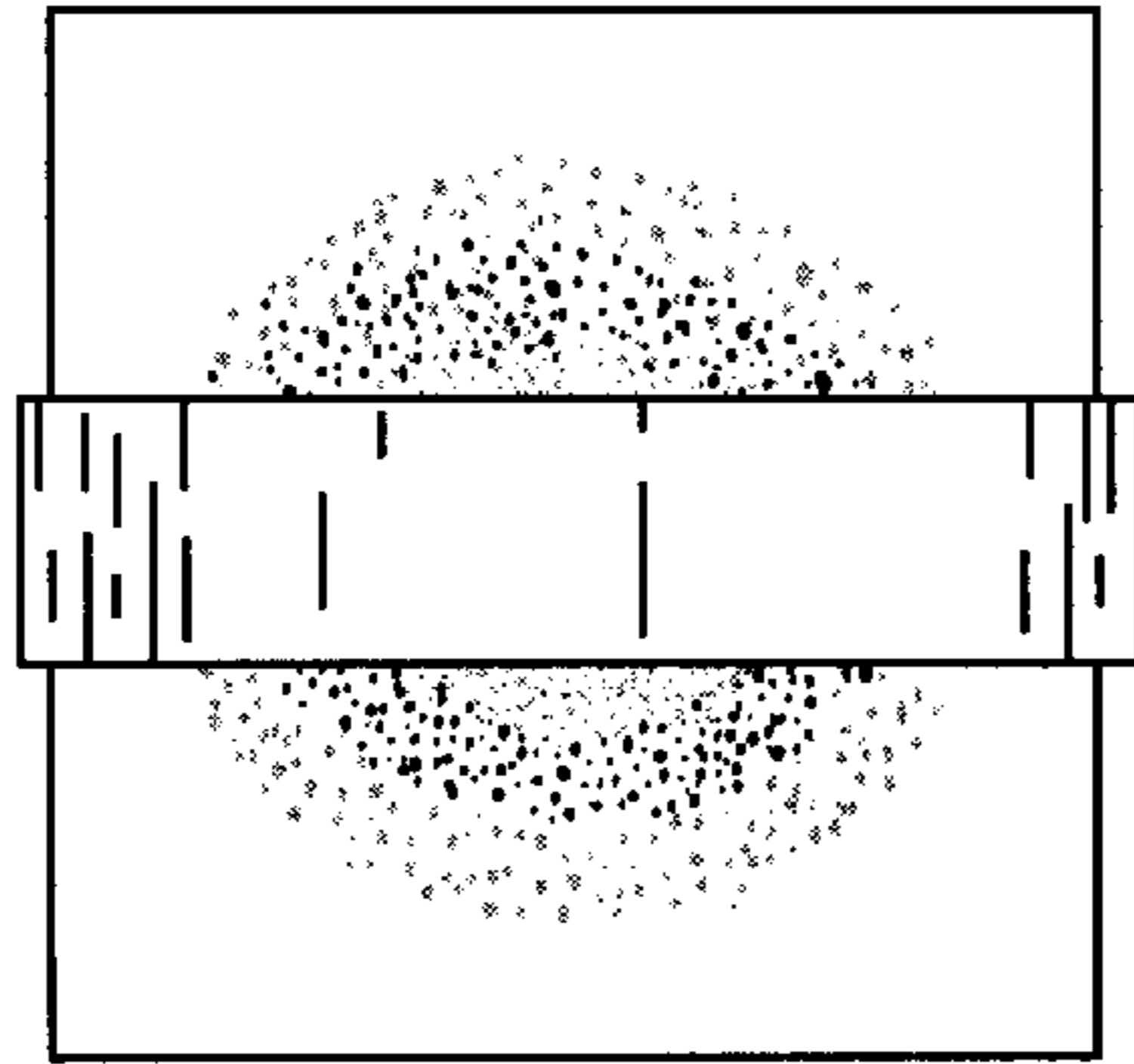


FIG. 10

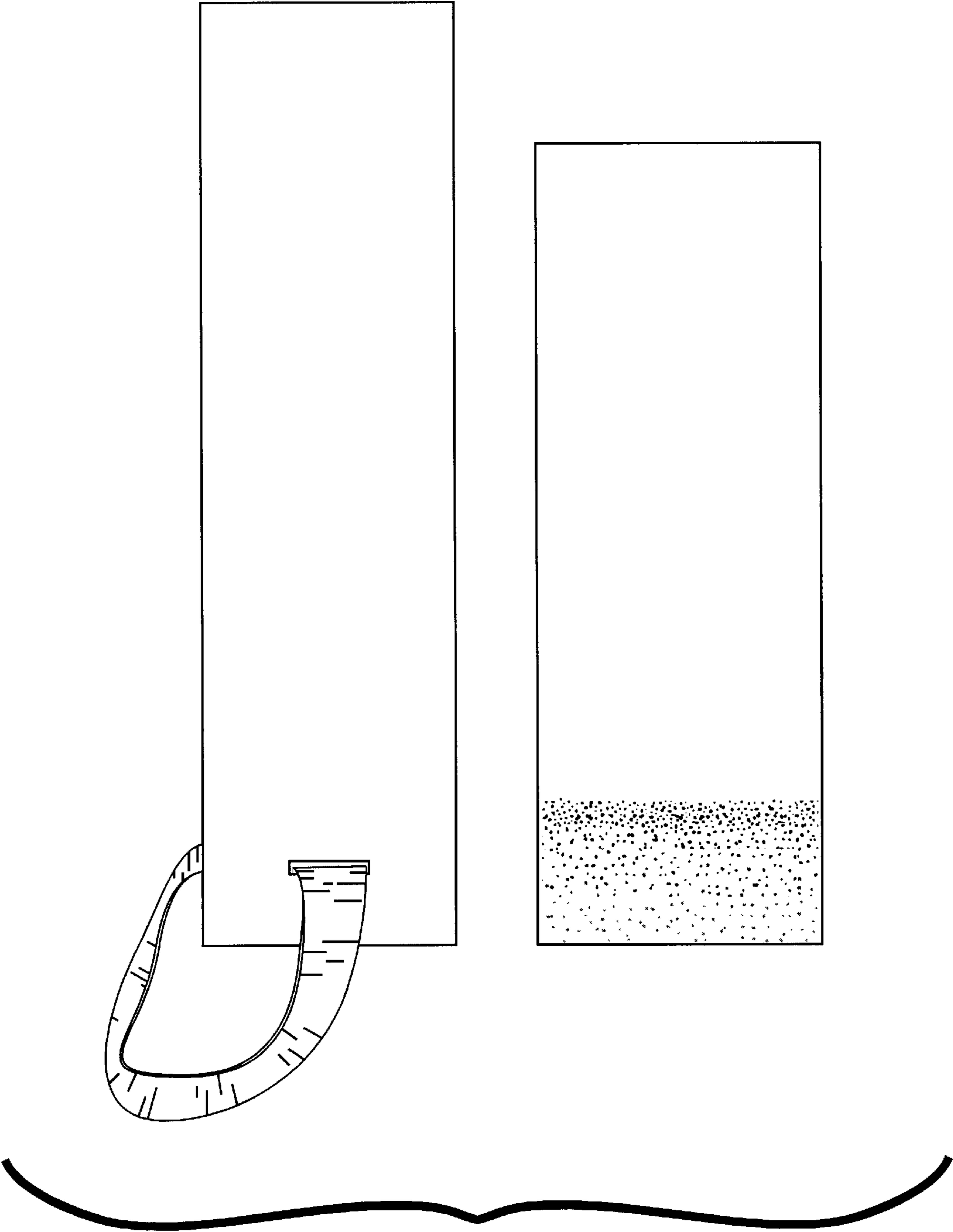


FIG. 11

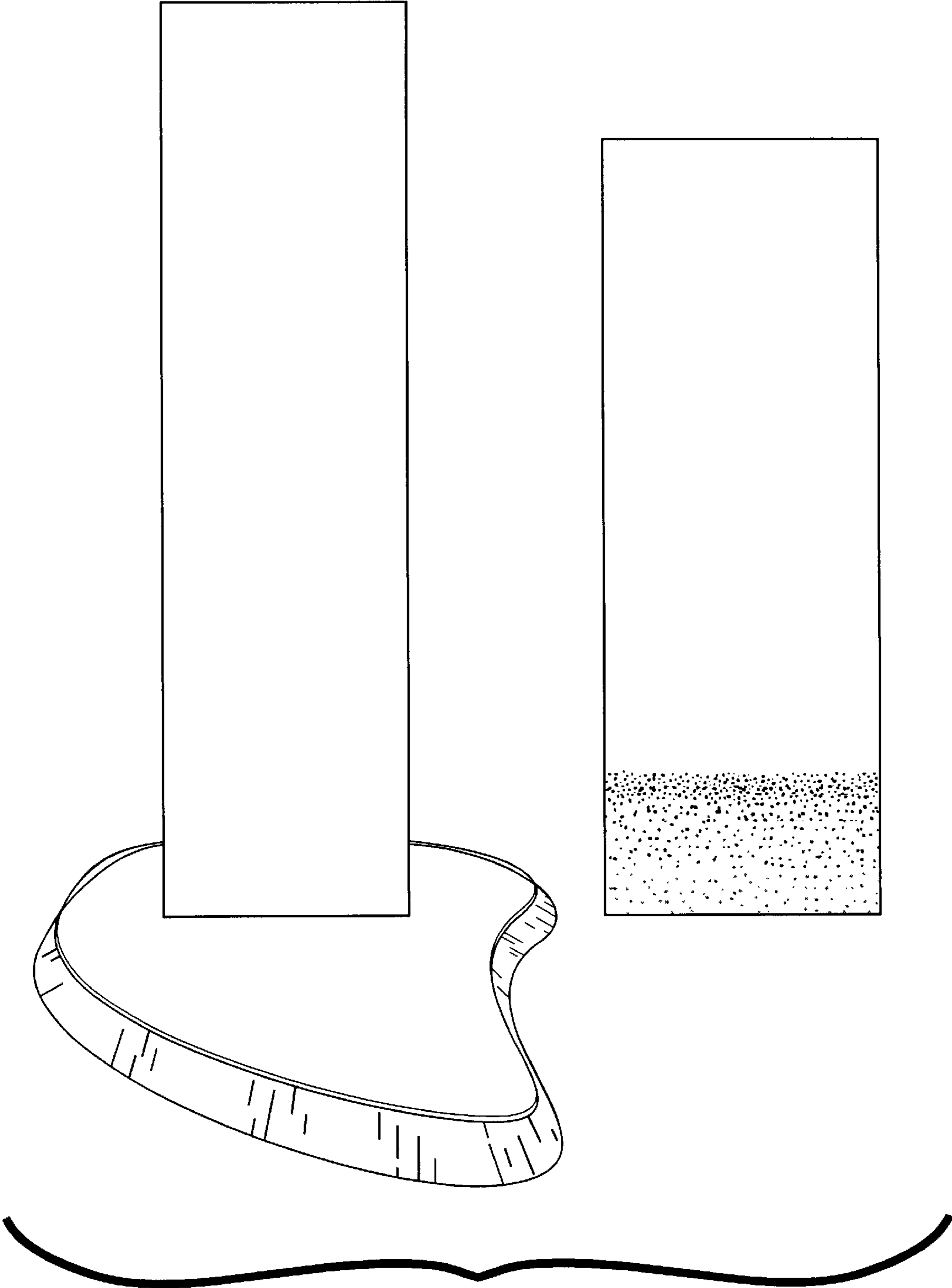


FIG.12