

US00D503881S

(12) **United States Design Patent**
Govrik et al.

(10) **Patent No.:** **US D503,881 S**
(45) **Date of Patent:** **** Apr. 12, 2005**

- (54) **BEVERAGE CAN CAROUSEL**
- (75) Inventors: **Devee J. Govrik**, St. Paul, MN (US);
Christopher Govrik, St. Paul, MN (US)
- (73) Assignee: **DV International**, St. Paul, MN (US)
- (**) Term: **14 Years**
- (21) Appl. No.: **29/173,693**
- (22) Filed: **Jan. 3, 2003**
- (51) **LOC (7) Cl.** **09-03**
- (52) **U.S. Cl.** **D9/347**
- (58) **Field of Search** D9/347, 341, 348,
D9/414, 424-425, 430, 499; 206/139, 144,
427; 220/4.01, 23.83, 500

- D238,624 S * 2/1976 McArthur D3/23
- 5,375,716 A * 12/1994 Rubin et al. 206/443
- D374,820 S * 10/1996 Knoss et al. D9/429
- D405,361 S * 2/1999 Cameron et al. D9/341
- D419,869 S * 2/2000 Loew et al. D9/341
- 2003/0029768 A1 * 2/2003 Wong 206/526

* cited by examiner

Primary Examiner—Philip S. Hyder
Assistant Examiner—Daniel Bui
(74) *Attorney, Agent, or Firm*—Merchant & Gould P.C.

(57) **CLAIM**

The ornamental design for a beverage can carousel, as shown and described.

DESCRIPTION

FIG. 1 is a top and side perspective view of the beverage can carousel, showing our new design; FIG. 2 is a top plan view thereof; FIG. 3 is a bottom plan view thereof; and, FIG. 4 is a side elevation view thereof, it being understood that the opposite side is a mirror image thereof.

1 Claim, 2 Drawing Sheets

(56) **References Cited**
U.S. PATENT DOCUMENTS

- 1,736,122 A * 11/1929 La Duke 126/390.1
- 1,761,483 A * 6/1930 Martin 220/592.28
- 2,971,674 A * 2/1961 Wicoff 206/199

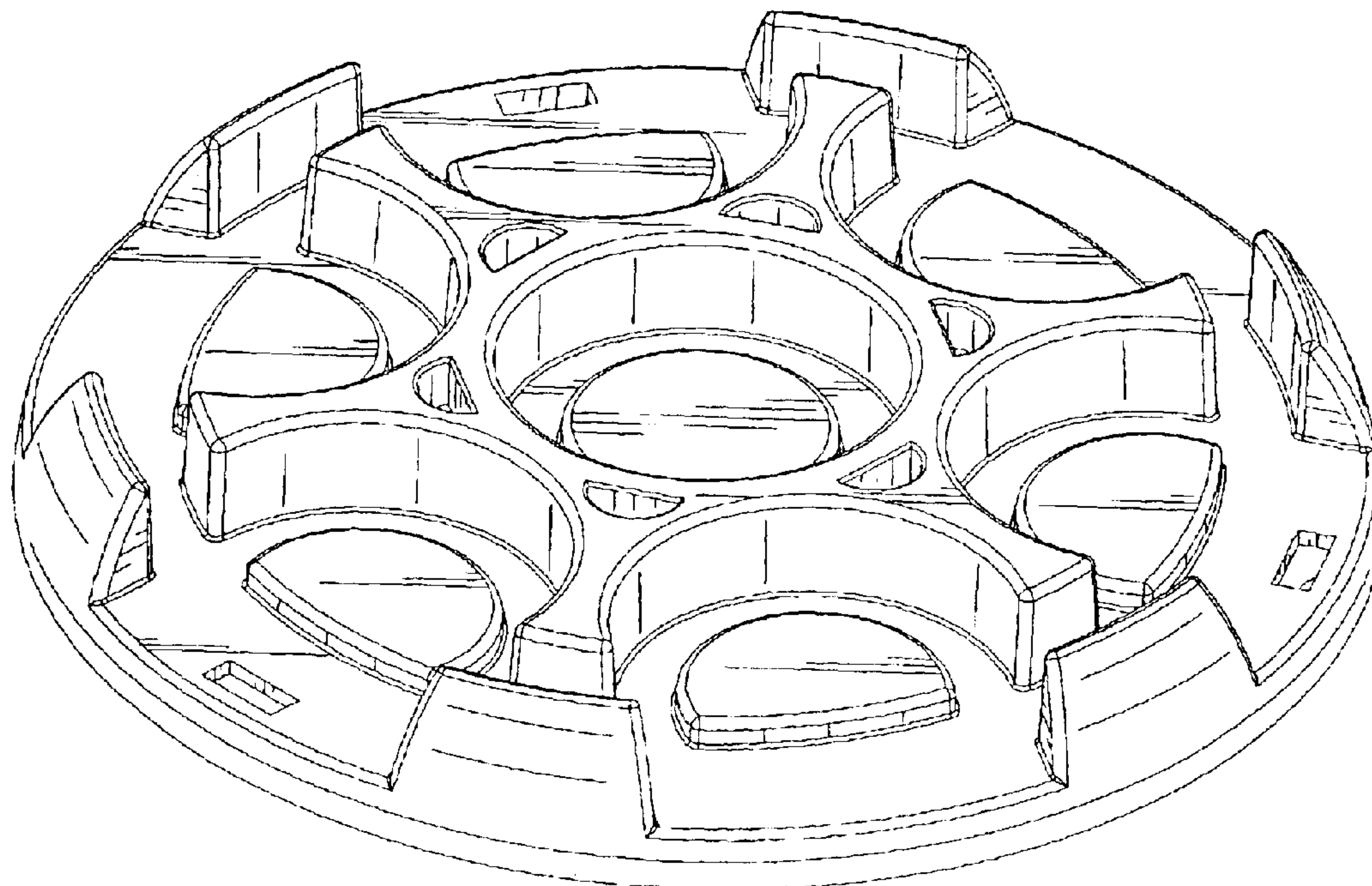


FIG. 1

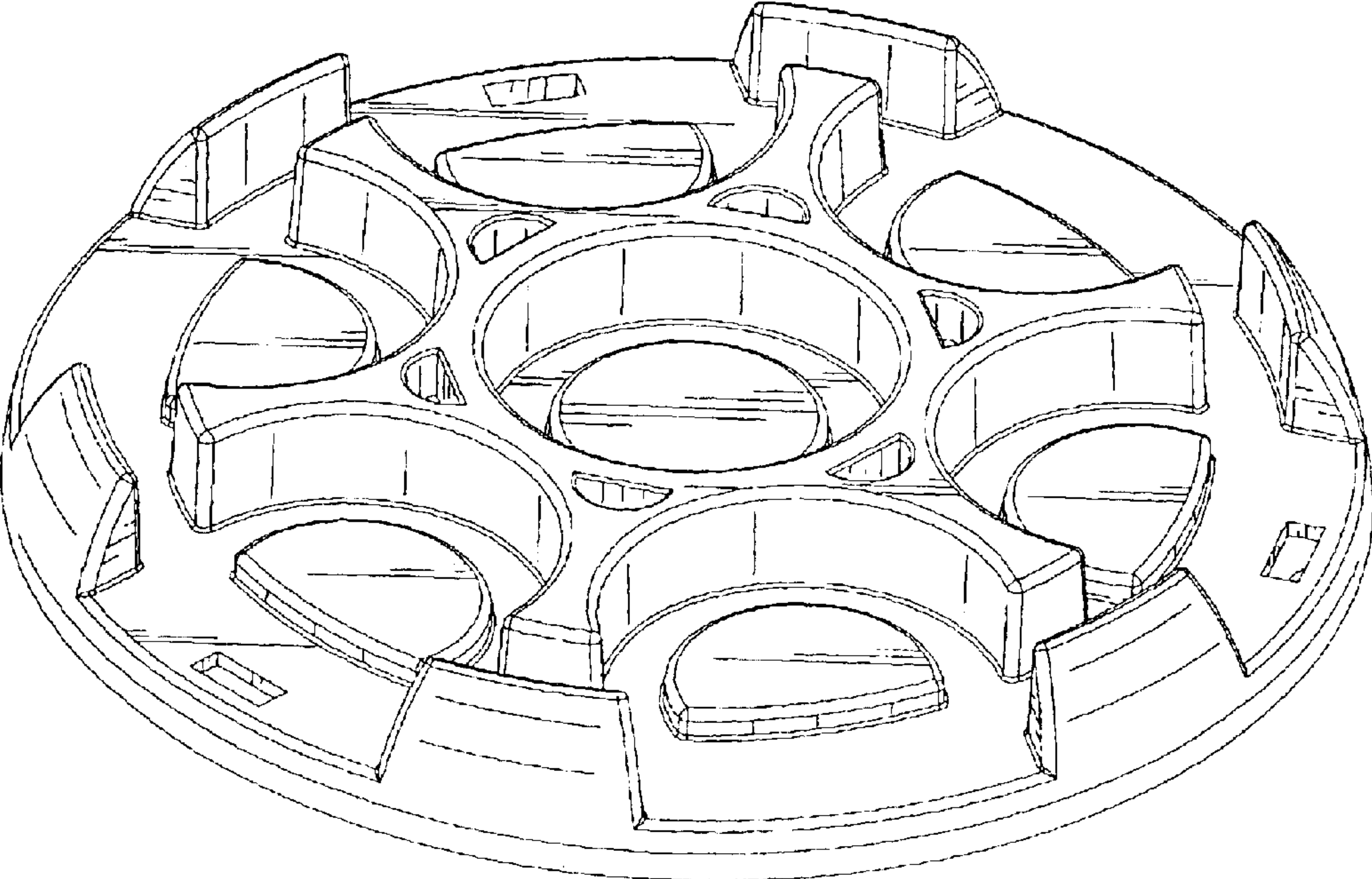


FIG. 2

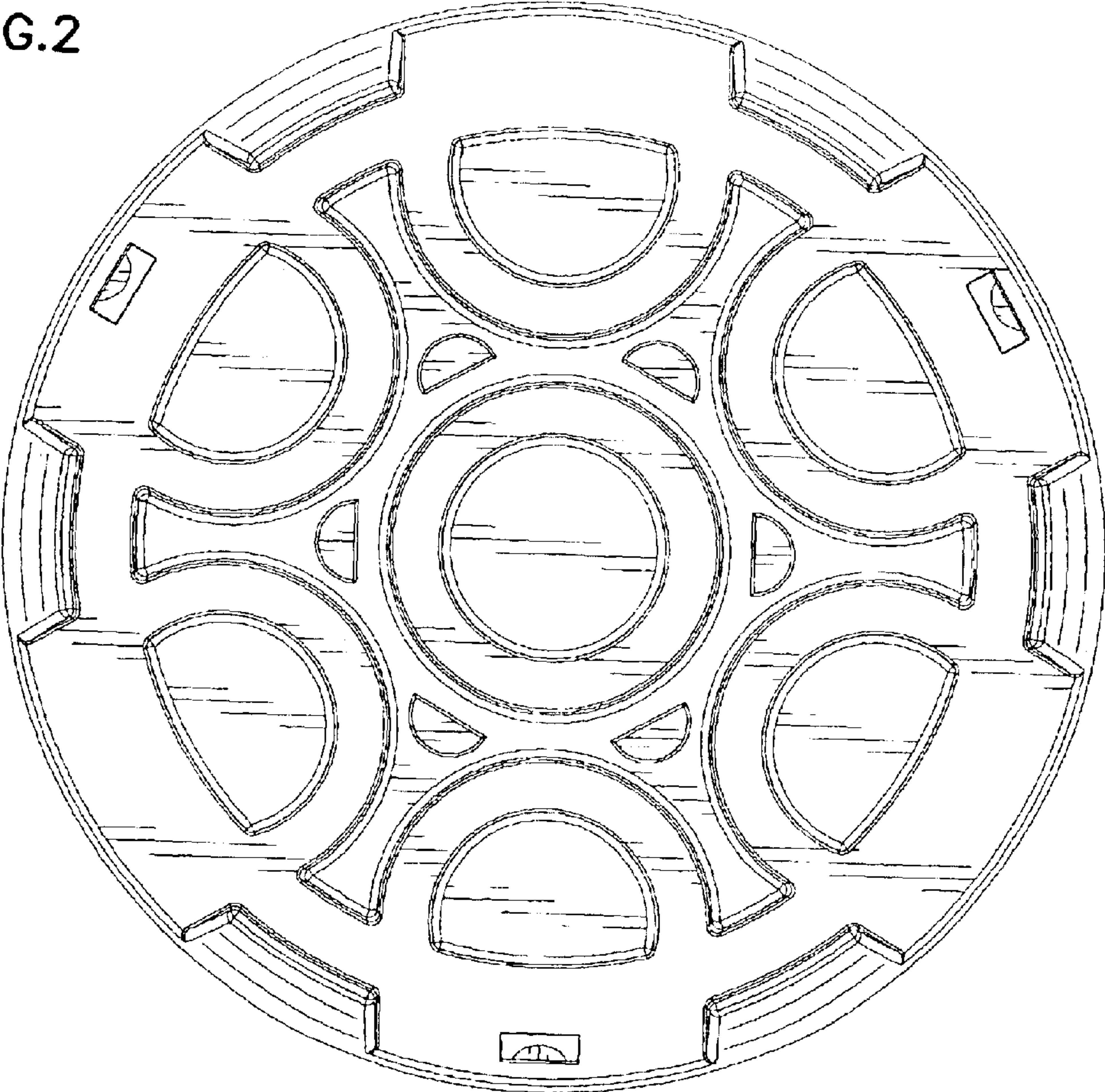


FIG.3

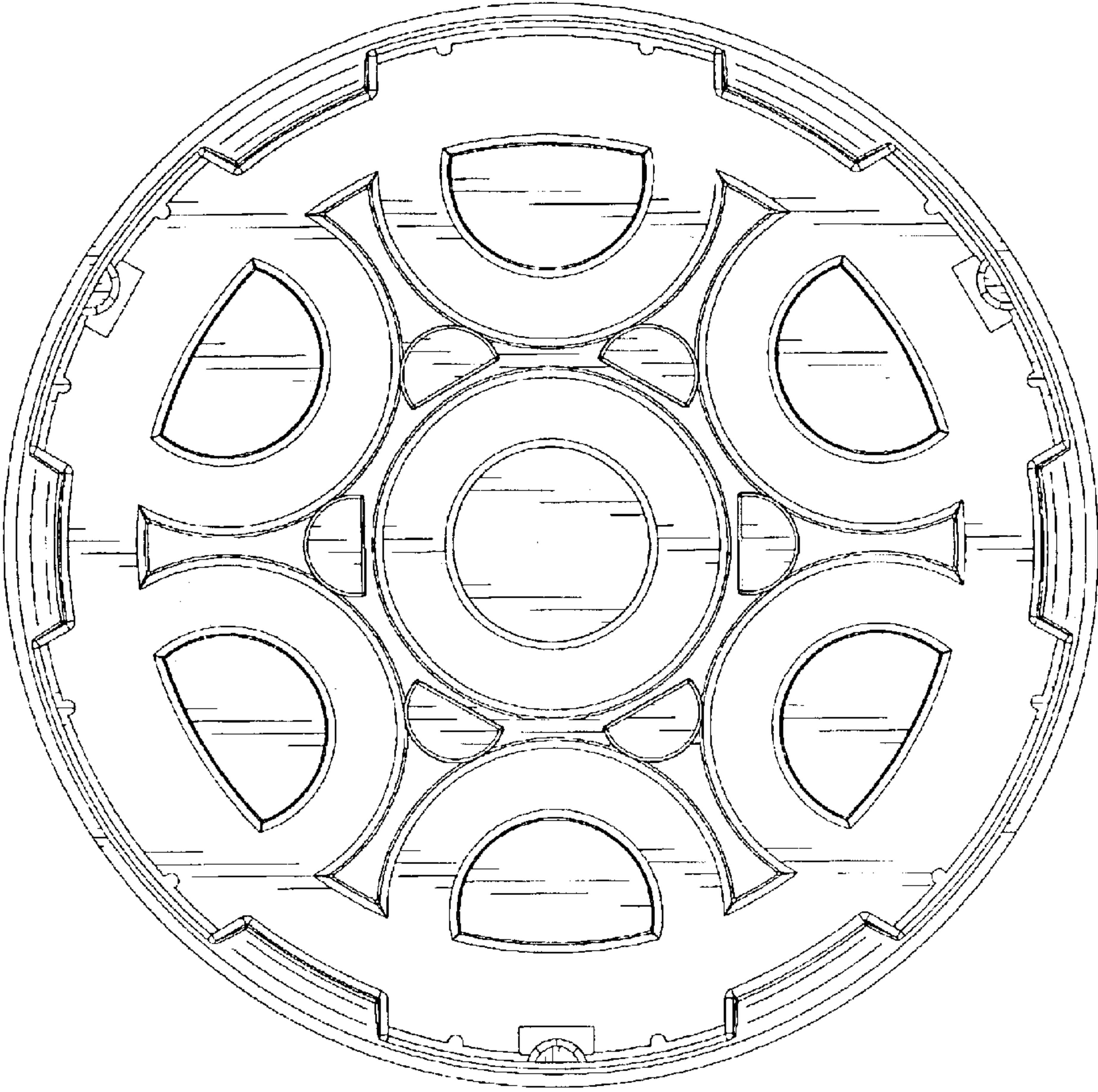


FIG.4

