

US00D503878S

(12) **United States Design Patent** (10) **Patent No.:** **US D503,878 S**
Tillman et al. (45) **Date of Patent:** **** Apr. 12, 2005**

(54) **CIRCULAR SAW**

(75) Inventors: **Shea Tillman**, Anderson, SC (US);
Taku Ohi, Greer, SC (US); **Kenneth M. Brazell**, Piedmont, SC (US); **Alvin Yuen Yeuk Au**, Hong Kong (HK)

(73) Assignee: **One World Technologies Limited**, Hamilton (BM)

(**) Term: **14 Years**

(21) Appl. No.: **29/187,964**

(22) Filed: **Aug. 11, 2003**

(51) **LOC (7) Cl.** **08-03**

(52) **U.S. Cl.** **D8/66**

(58) **Field of Search** D8/61, 64, 66,
D8/67, 68, 69; 30/373, 374, 375, 376, 377,
388, 390, 391, 392, 393, 394

(56) **References Cited**

U.S. PATENT DOCUMENTS

D262,772 S	1/1982	Glass et al.	
D281,663 S	* 12/1985	Tsuru et al.	D8/66
4,555,849 A	12/1985	Ando et al.	
D313,155 S	* 12/1990	Somers	D8/66
5,010,651 A	4/1991	Techter et al.	
5,023,999 A	6/1991	Looper et al.	
D326,399 S	* 5/1992	Fushiya et al.	D8/66
D327,828 S	7/1992	Hoshino et al.	
D329,363 S	9/1992	Sasaki et al.	
D334,523 S	4/1993	Hoshino et al.	
5,433,008 A	* 7/1995	Barger et al.	30/376
D363,656 S	* 10/1995	Gierke	D8/66
D378,488 S	3/1997	Ito et al.	
5,782,001 A	* 7/1998	Gray	30/391
D411,425 S	6/1999	Sugimoto et al.	
5,934,143 A	* 8/1999	Dibbern et al.	74/421 A

D416,181 S	11/1999	Chung	
D421,702 S	3/2000	Sakai et al.	
D427,872 S	* 7/2000	Snider	D8/66
D428,318 S	7/2000	Gallagher et al.	
D428,319 S	7/2000	Gallagher	
D433,300 S	11/2000	Buck	
6,202,311 B1	* 3/2001	Nickels, Jr.	30/376
D445,013 S	7/2001	Etter et al.	
D449,503 S	10/2001	Tsuzuki et al.	
D453,099 S	1/2002	Welsh	
D460,672 S	7/2002	Pretzell	
D466,385 S	* 12/2002	Shigo et al.	D8/66
D475,266 S	* 6/2003	Sakai et al.	D8/66
D486,369 S	2/2004	Keller	
D492,564 S	* 7/2004	Zemlok et al.	D8/66
2003/0131484 A1	* 7/2003	Yoshida et al.	30/376

* cited by examiner

Primary Examiner—Robert M. Spear

Assistant Examiner—Elizabeth Albert

(74) *Attorney, Agent, or Firm*—Brooks Kushman P.C.

(57) **CLAIM**

The ornamental design for a circular saw, as shown and described.

DESCRIPTION

FIG. 1 is a perspective view of the circular saw showing our new design;

FIG. 2 is a front elevational view thereof;

FIG. 3 is a rear elevational view thereof;

FIG. 4 is a left side elevational view thereof;

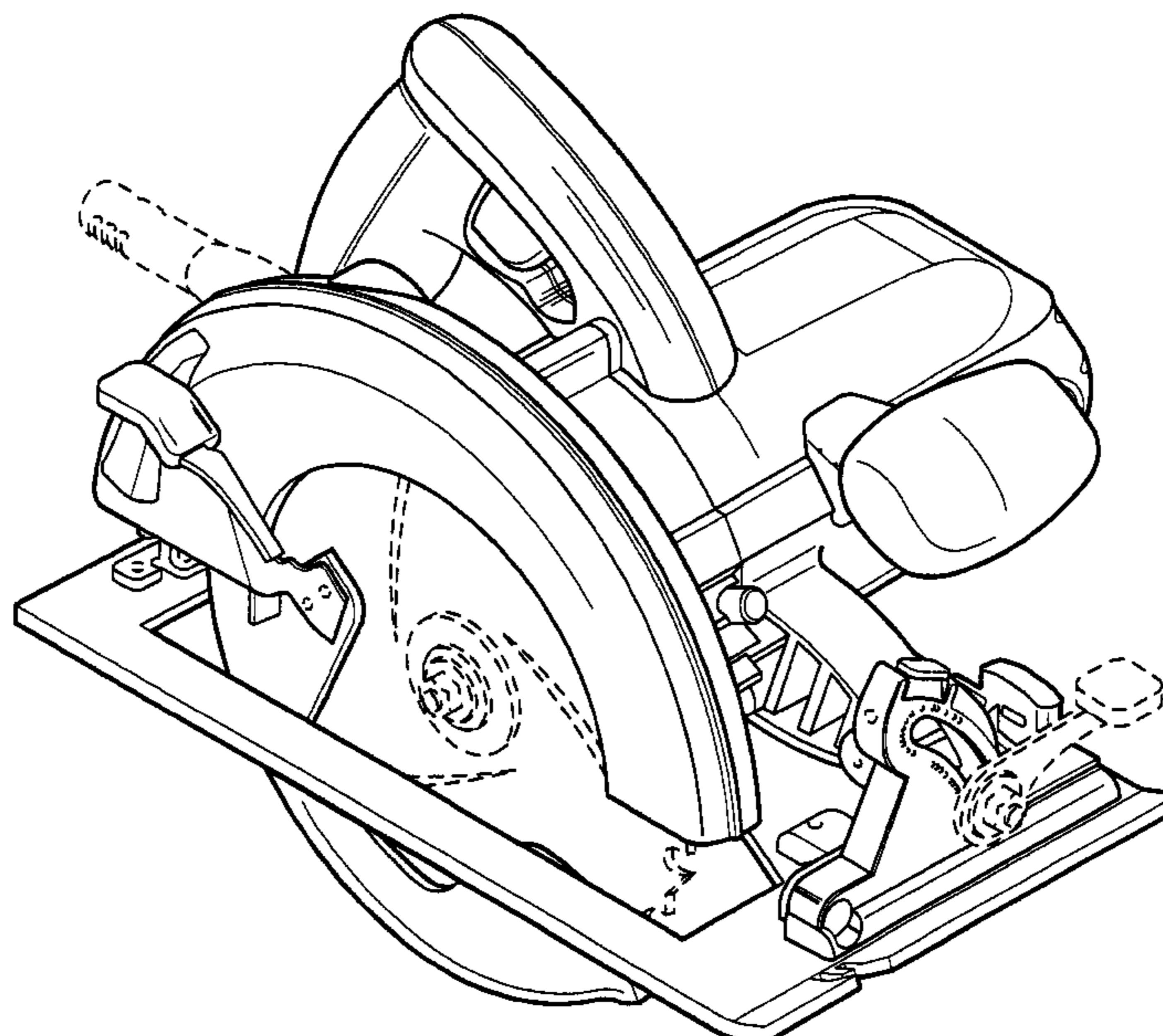
FIG. 5 is a right side elevational view thereof;

FIG. 6 is a top plan view thereof; and,

FIG. 7 is a bottom plan view thereof.

The broken lines are for illustrative purposes only and form no part of the claimed design.

1 Claim, 4 Drawing Sheets



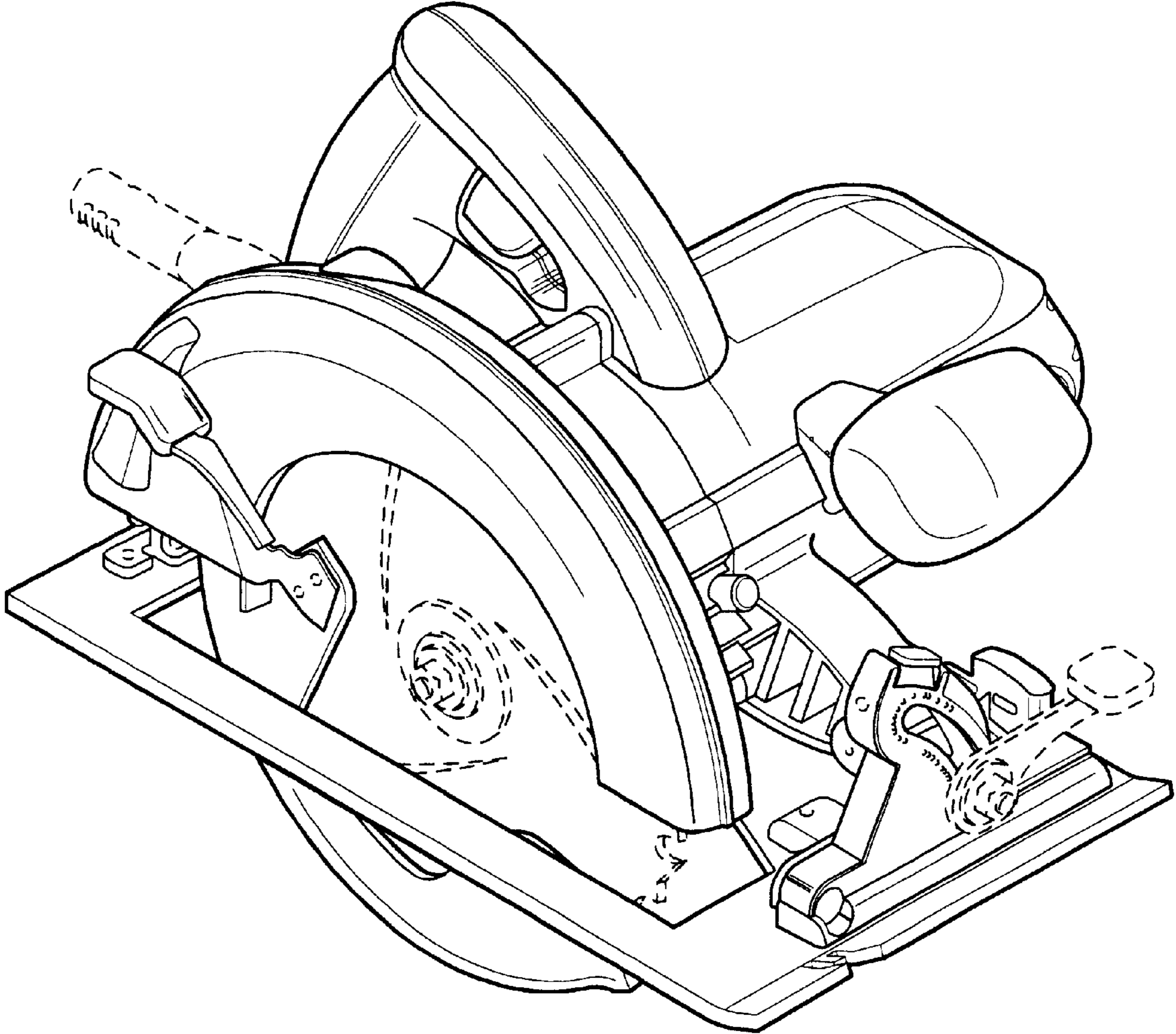


FIG. 1

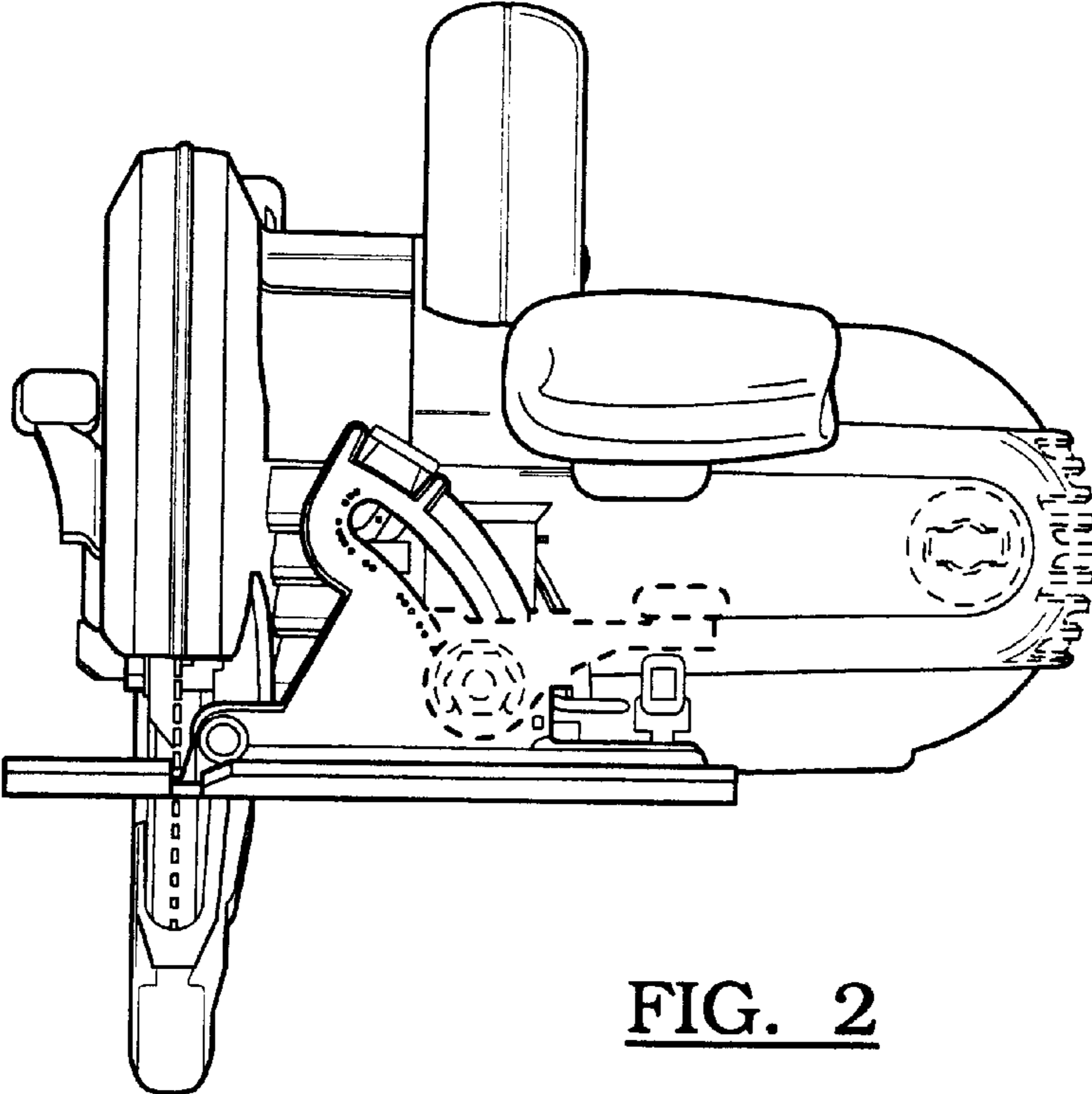


FIG. 2

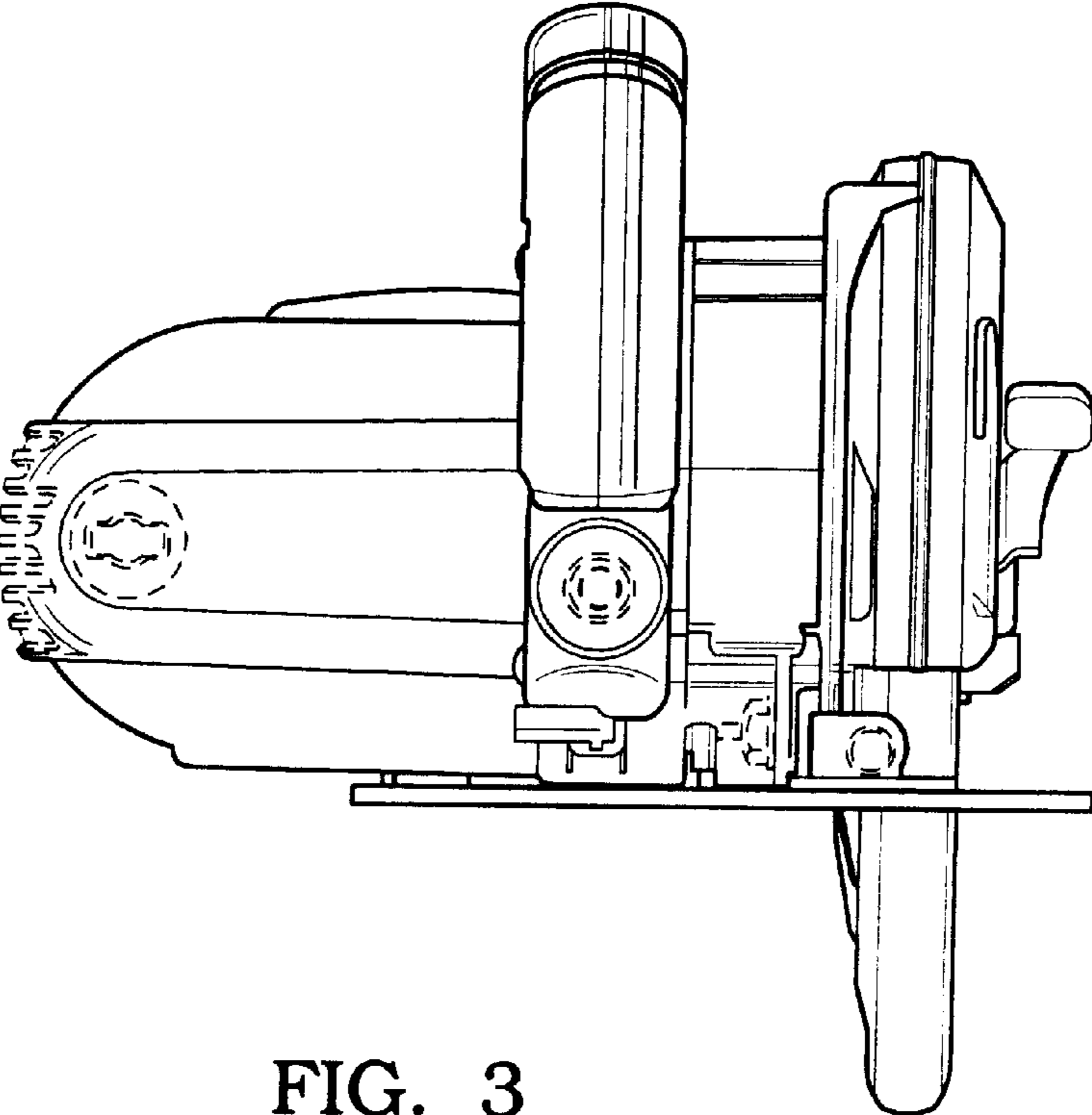


FIG. 3

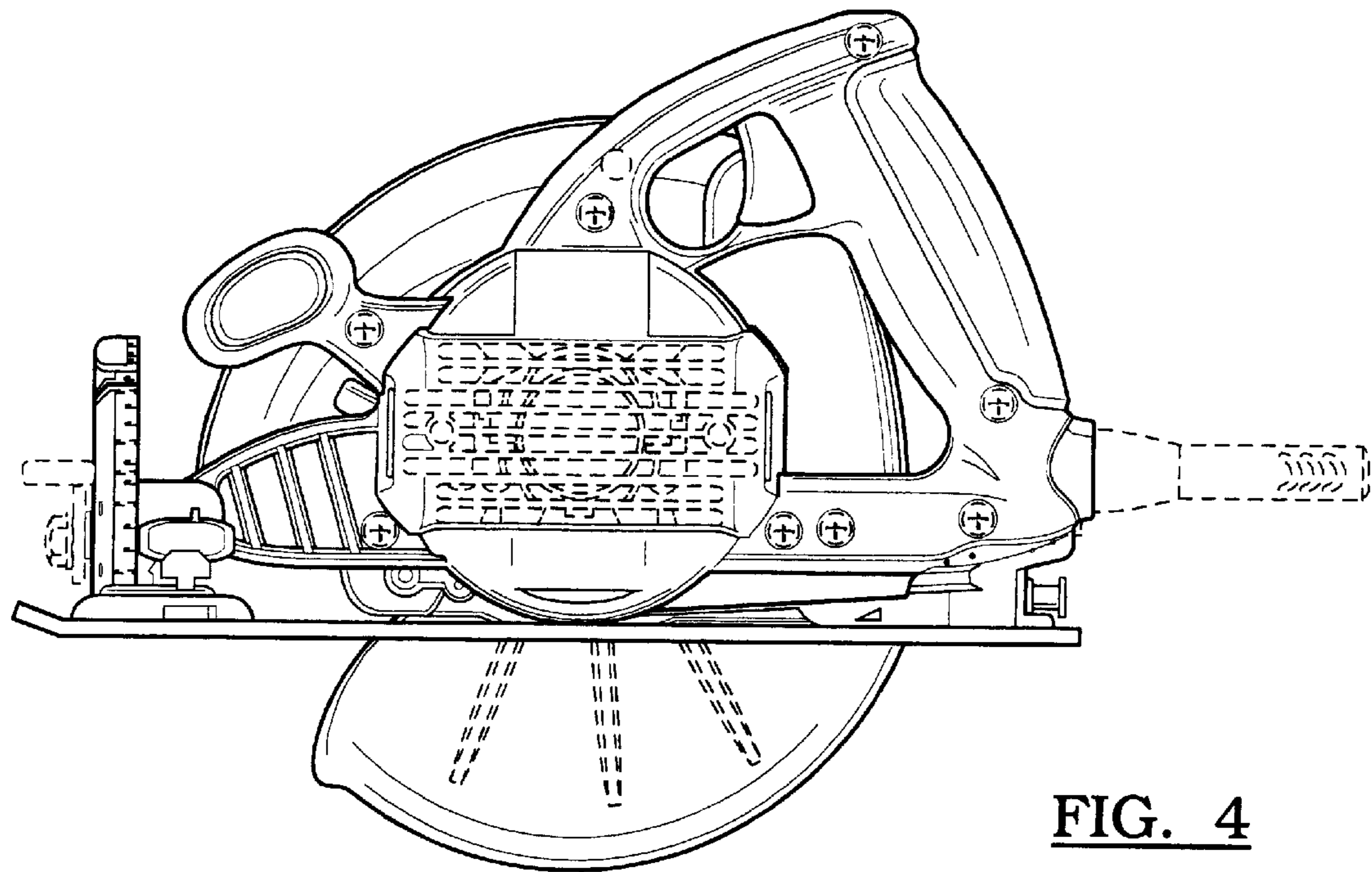


FIG. 4

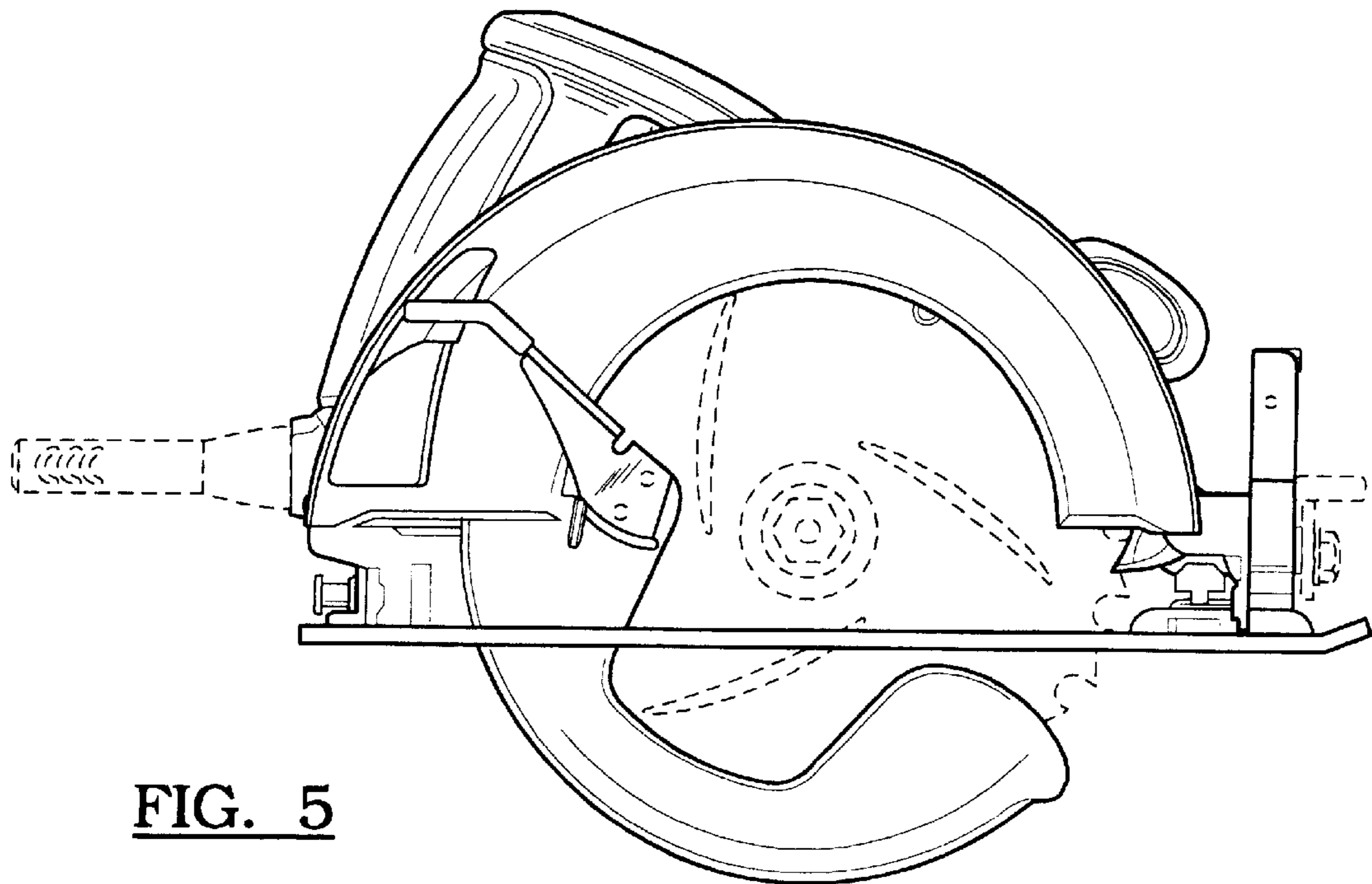


FIG. 5

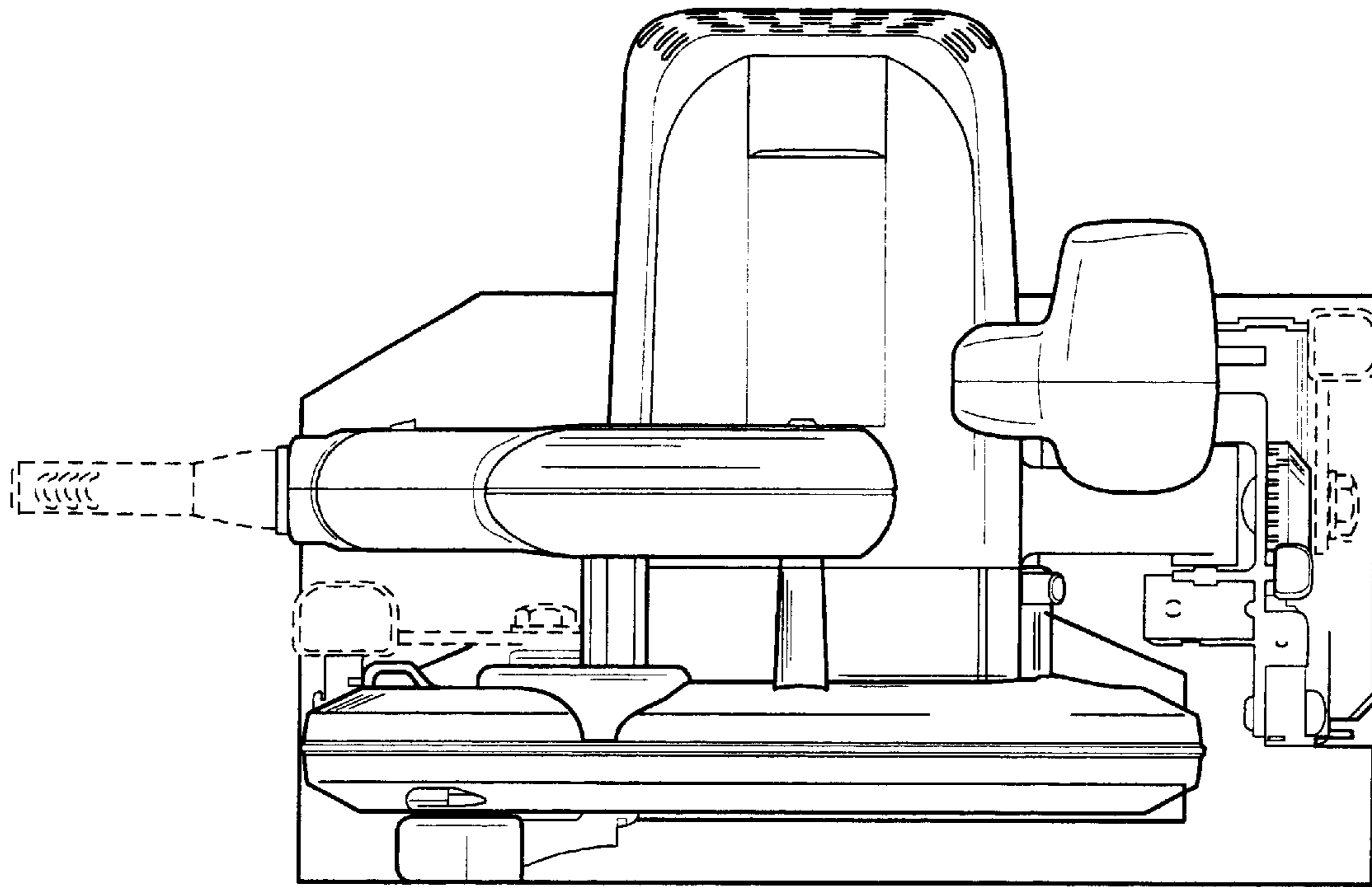


FIG. 6

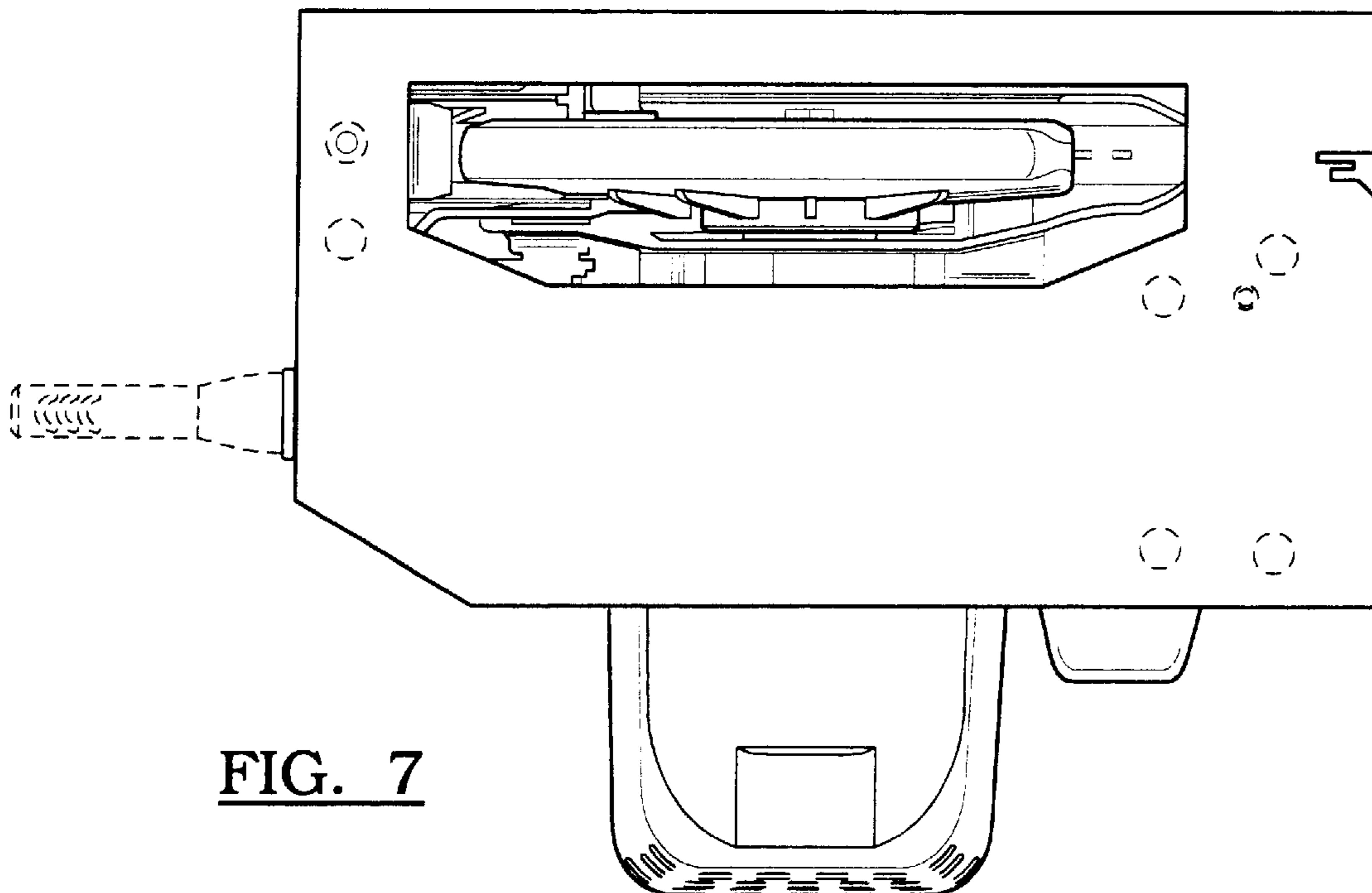


FIG. 7