

US00D503871S

(12) **United States Design Patent**  
**Armer**

(10) **Patent No.:** **US D503,871 S**

(45) **Date of Patent:** **\*\* Apr. 12, 2005**

(54) **SCALLOPED FOOD SERVICE TRAY**

(75) **Inventor:** **Mark A. Armer, West Hills, CA (US)**

(73) **Assignee:** **Cambro Manufacturing Co.,  
Huntington Beach, CA (US)**

(\*\*) **Term:** **14 Years**

(21) **Appl. No.:** **29/190,806**

(22) **Filed:** **Sep. 25, 2003**

(51) **LOC (7) Cl. .... 07-01**

(52) **U.S. Cl. .... D7/554.3; D7/545**

(58) **Field of Search .... D7/543, 545, 554.3,  
D7/566, 354, 359, 360, 587, 560; D11/156,  
154; 206/518, 503, 513, 499, 501; 220/658,  
23.86, 574, 575, 574.1; D9/425; 126/390.1**

(56) **References Cited**

**U.S. PATENT DOCUMENTS**

- D51,837 S \* 3/1918 Evans ..... D7/354
- D52,016 S \* 5/1918 Beiswanger ..... D7/359
- RE14,558 E \* 12/1918 Beiswanger ..... D7/354
- 1,413,063 A \* 4/1922 Sailer ..... 126/390.1
- D178,162 S \* 6/1956 Van Ike ..... D11/156
- D280,969 S \* 10/1985 Schrage ..... D7/354
- D282,520 S \* 2/1986 Schrage ..... D7/360
- D287,809 S \* 1/1987 Alexander ..... D7/359
- D320,532 S \* 10/1991 Zielinski et al. .... D7/560
- D321,815 S \* 11/1991 Bowdler ..... D7/560
- D344,658 S \* 3/1994 Arkoosh, Jr. et al. .... D7/554.3

- D380,349 S \* 7/1997 Indekeu ..... D7/543
- D415,656 S \* 10/1999 Henry ..... D7/545
- D425,759 S \* 5/2000 Henry ..... D7/545
- D457,777 S \* 5/2002 Bradley ..... D7/354
- D495,920 S \* 9/2004 Isler et al. .... D7/354

\* cited by examiner

*Primary Examiner*—M. N. Pandozzi

(74) *Attorney, Agent, or Firm*—George F. Bethel

(57) **CLAIM**

I claim the ornamental design for a scalloped food service tray, as shown and described.

**DESCRIPTION**

FIG. 1 shows a perspective view of the scalloped food service tray.

FIG. 2 is a plan view looking downwardly into the scalloped food service tray from the top.

FIG. 3 is a side elevation view of the scalloped food service tray.

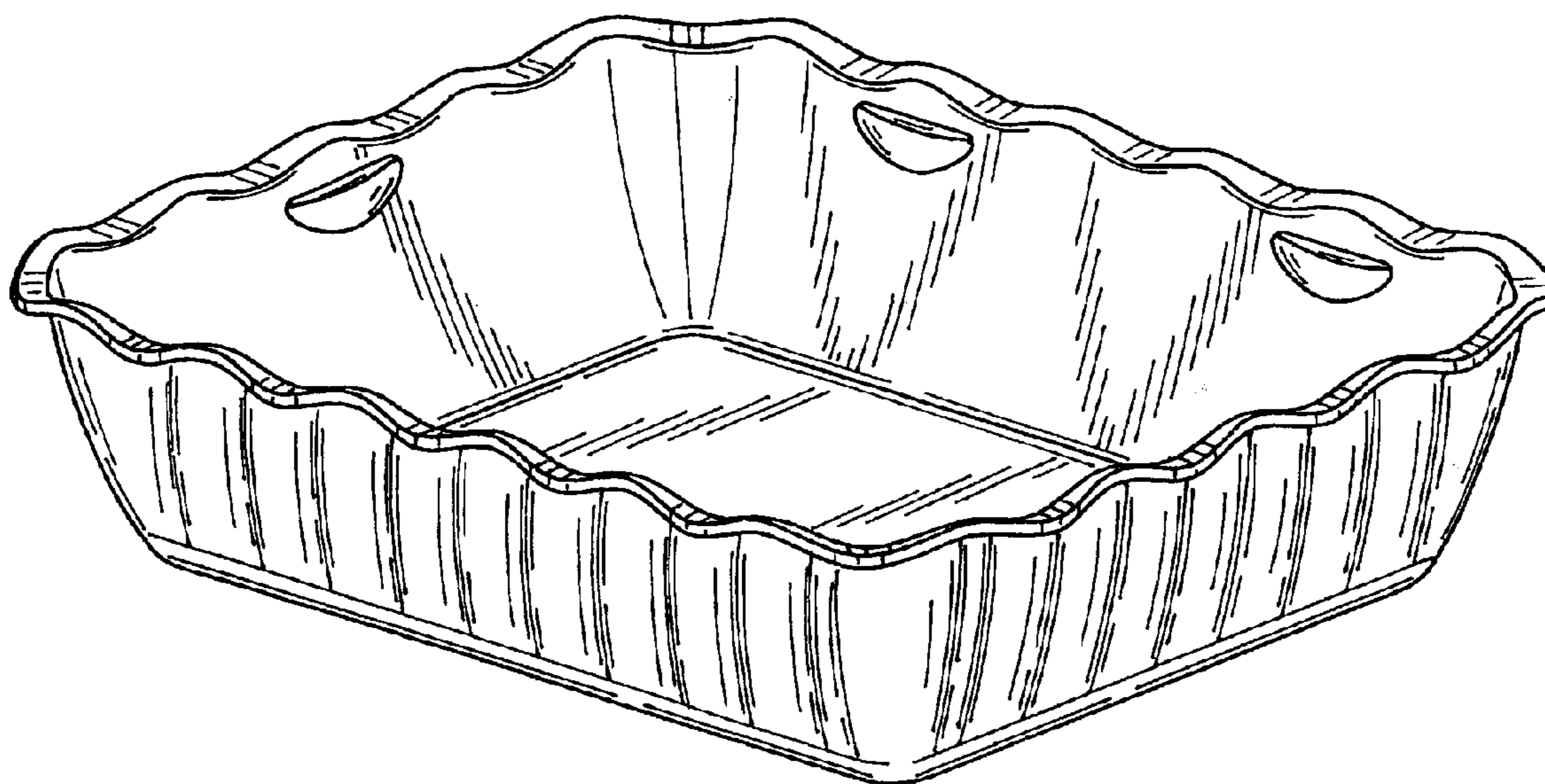
FIG. 4 is a front elevation view of the scalloped food service tray.

FIG. 5 is a bottom plan view of the scalloped food service tray.

FIG. 6 is a bottom perspective view of the scalloped food service tray; and,

FIG. 7 is a bottom perspective view of a second embodiment of a scalloped food service tray showing my new design.

**1 Claim, 5 Drawing Sheets**



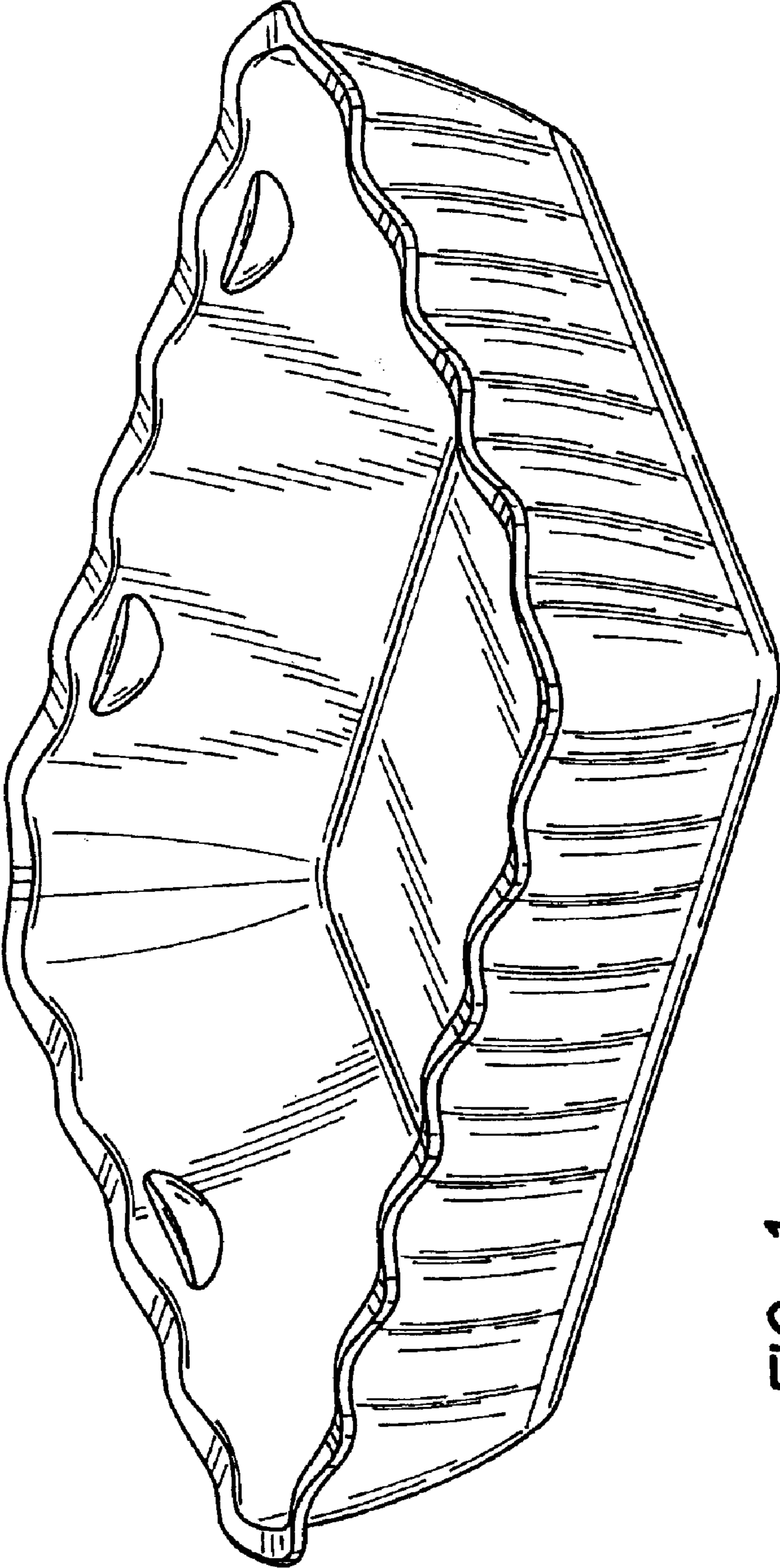
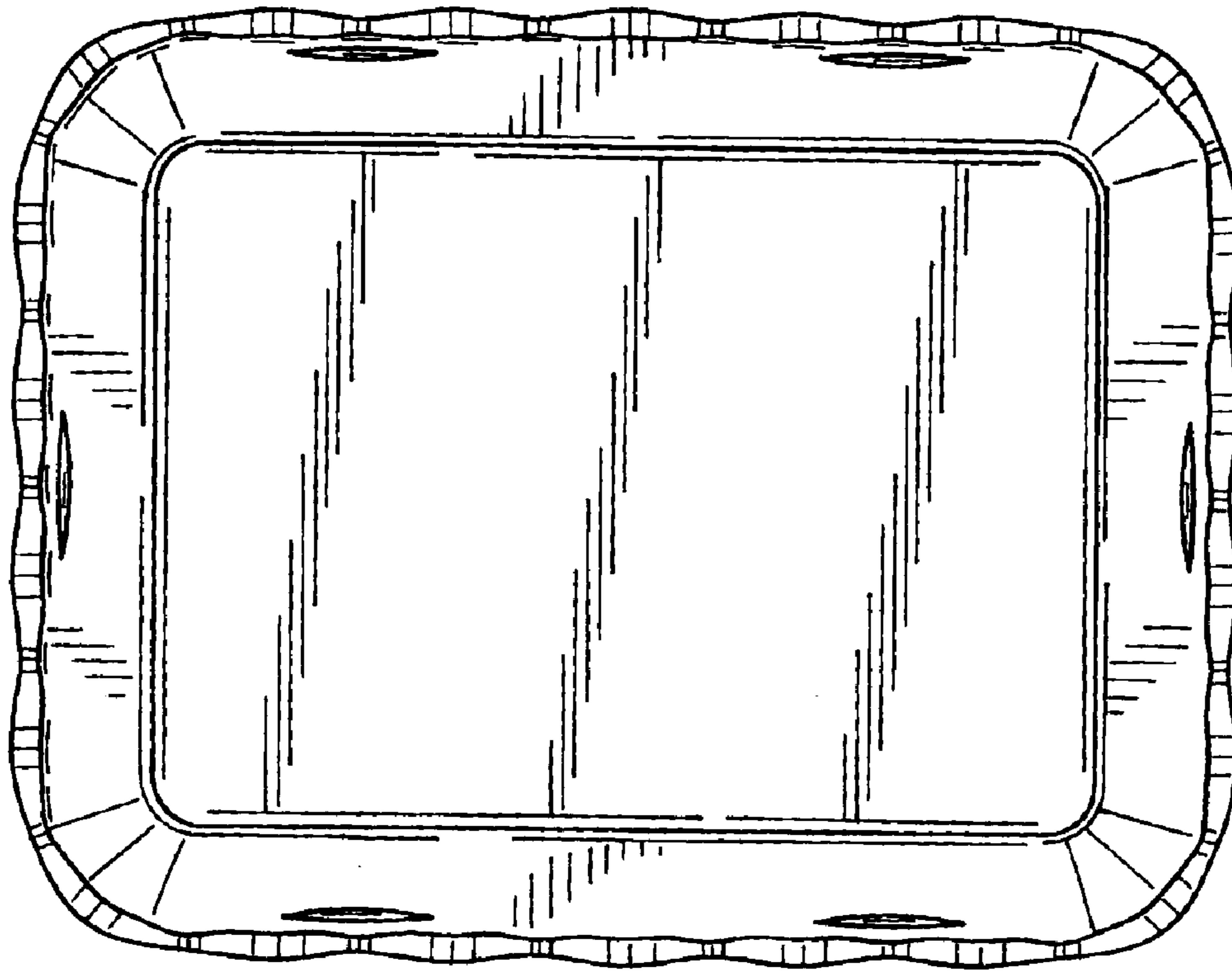
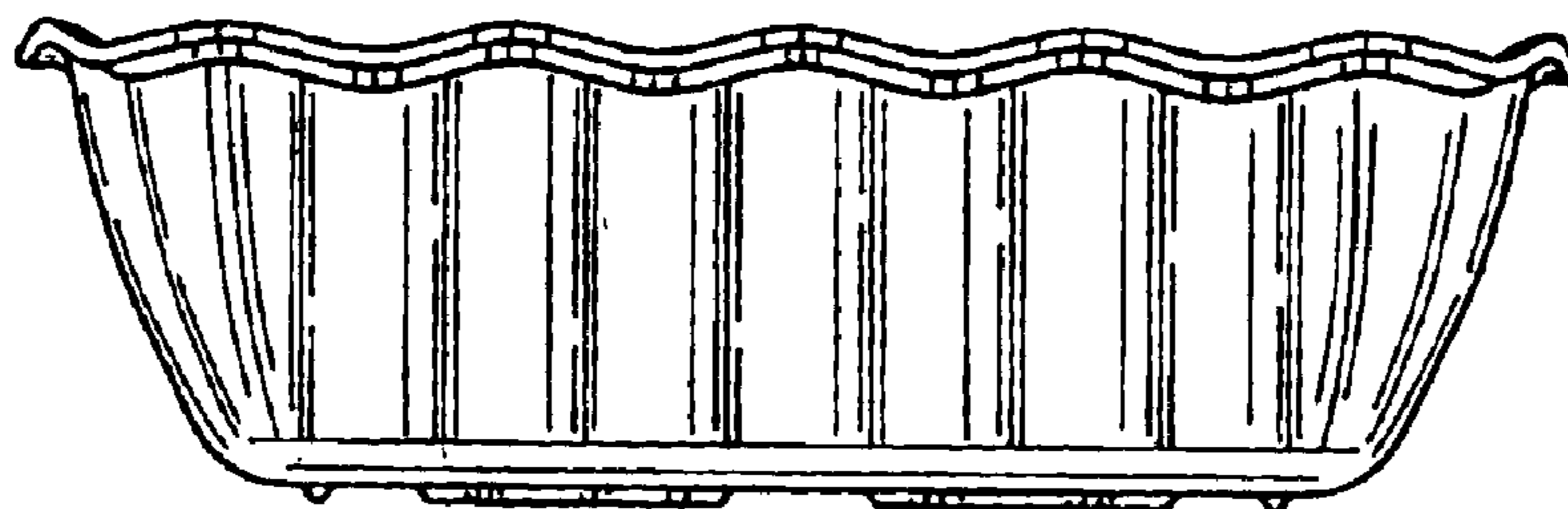


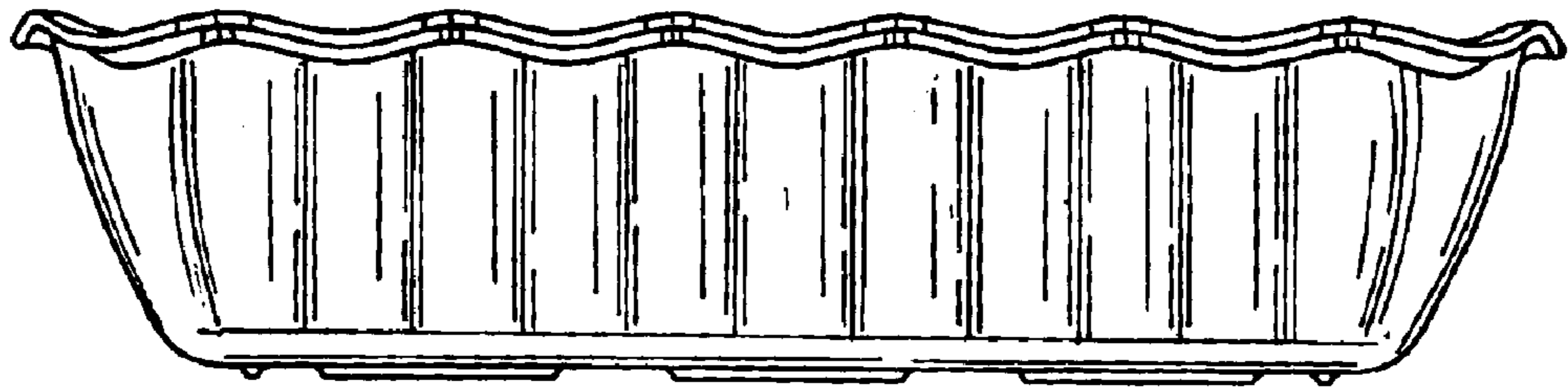
FIG. 1



**FIG. 2**

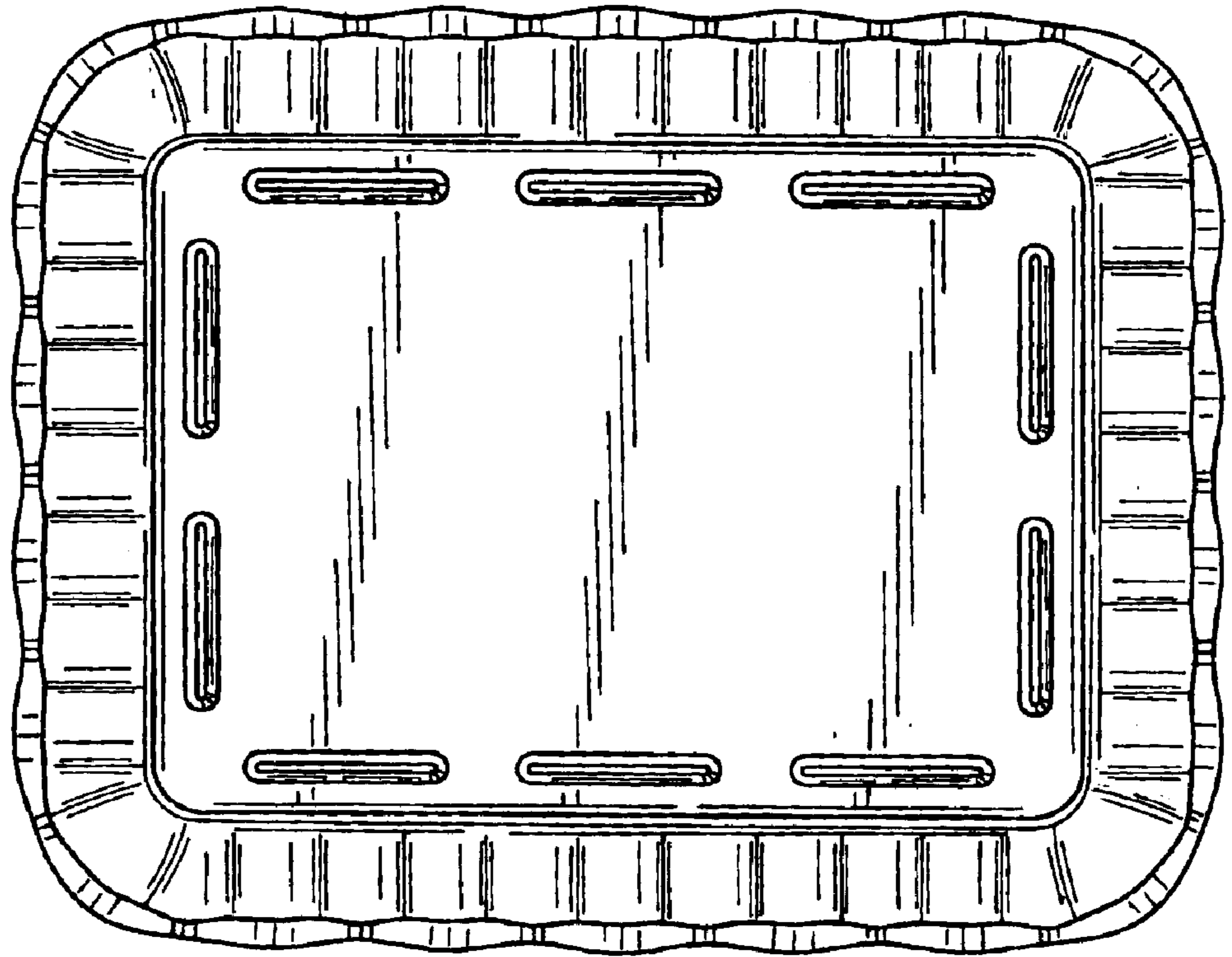
**FIG. 3**





*FIG. 4*

*FIG. 5*



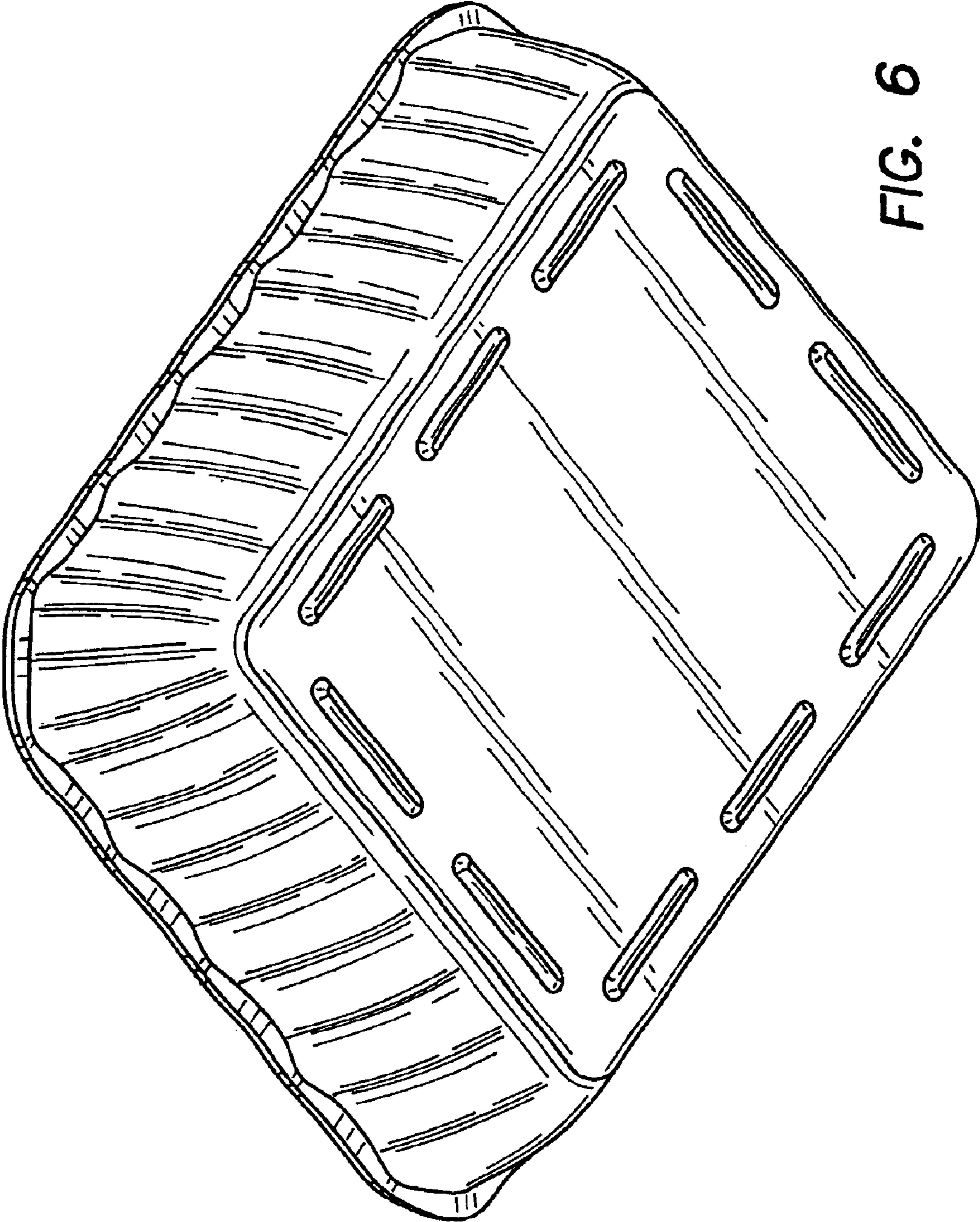


FIG. 6

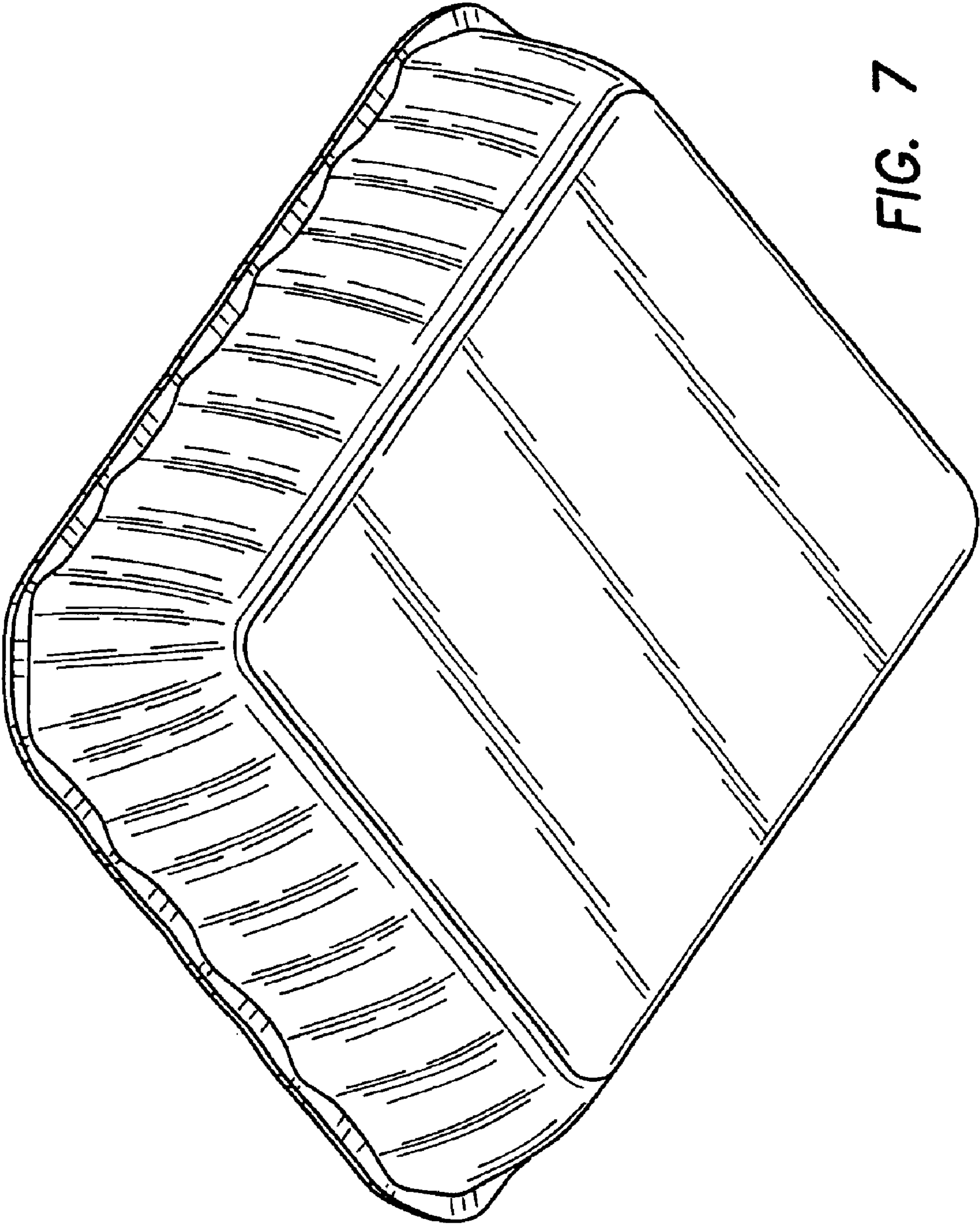


FIG. 7