

US00D503866S

(12) **United States Design Patent**
Mohundro

(10) **Patent No.:** **US D503,866 S**

(45) **Date of Patent:** **** Apr. 12, 2005**

(54) **BED HEADBOARD**

(75) **Inventor:** **James Glenn Mohundro, Taichung (TW)**

(73) **Assignee:** **Pacific Marketing International (H.K.), Ltd., Taichung (TW)**

(**) **Term:** **14 Years**

(21) **Appl. No.:** **29/203,369**

(22) **Filed:** **Apr. 14, 2004**

(51) **LOC (7) Cl.** **06-02**

(52) **U.S. Cl.** **D6/505**

(58) **Field of Search** D6/382-384, 388, D6/389, 392-395, 505, 508; 5/53.1, 9.1, 279.1, 280, 281, 907, 310

(56) **References Cited**

U.S. PATENT DOCUMENTS

D116,244 S * 8/1939 Shurcliff D6/393
D344,643 S * 3/1994 Rosen D6/393

D399,082 S * 10/1998 Zaidman D6/505
D414,622 S * 10/1999 Vaaler D6/393
D429,100 S * 8/2000 Cain D6/505
D481,220 S * 10/2003 Paus D6/393

* cited by examiner

Primary Examiner—Janice E. Seeger

(74) *Attorney, Agent, or Firm*—Rosenberg, Klein & Lee

(57) **CLAIM**

The ornamental design for a bed headboard, as shown and described.

DESCRIPTION

FIG. 1 is a perspective view of a bed headboard, showing my new design;

FIG. 2 is a front elevational view thereof;

FIG. 3 is a rear elevational view thereof;

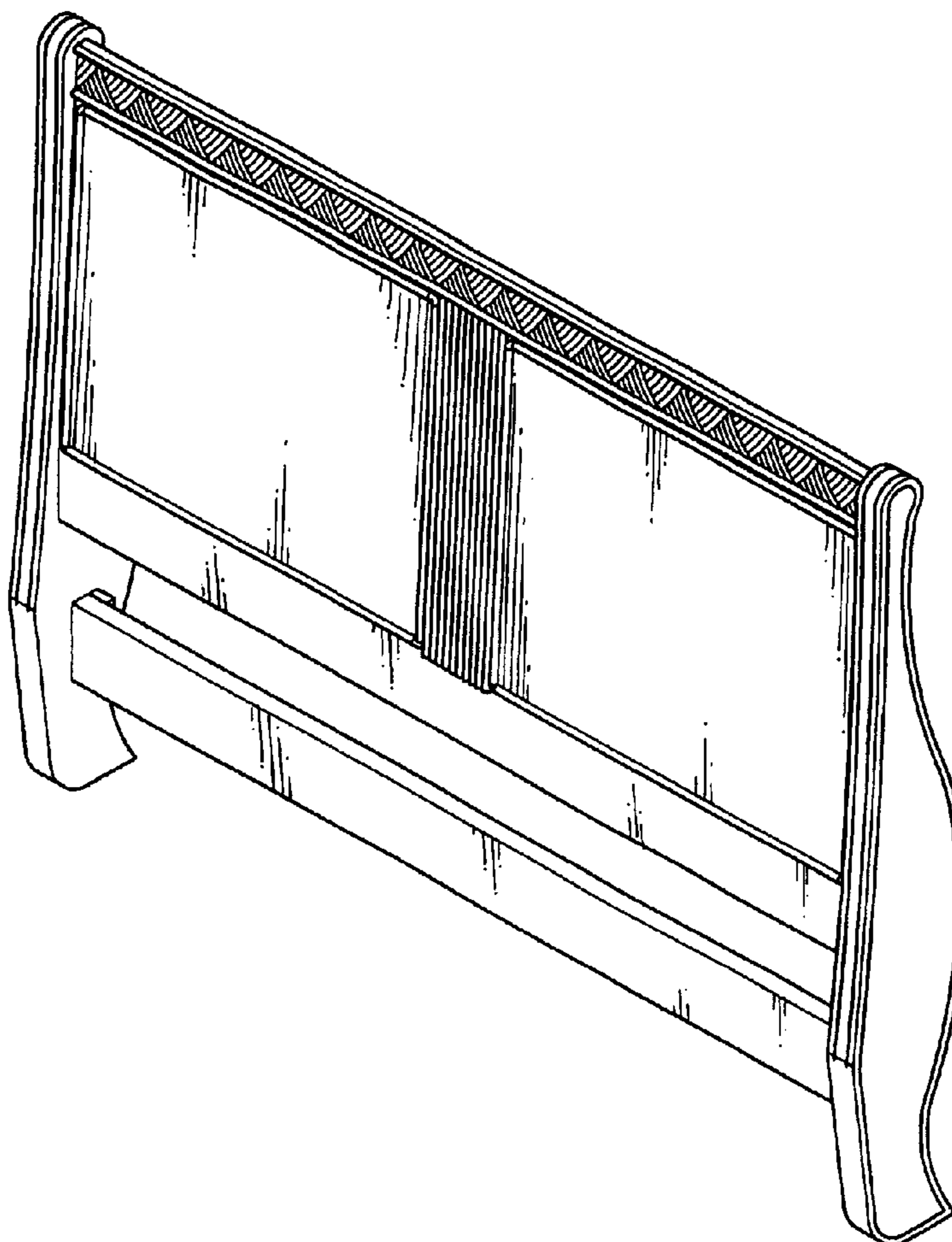
FIG. 4 is a left elevational view thereof; and

FIG. 5 is a right elevational view thereof;

FIG. 6 is a top plan view thereof; and,

FIG. 7 is a bottom plan view thereof.

1 Claim, 5 Drawing Sheets



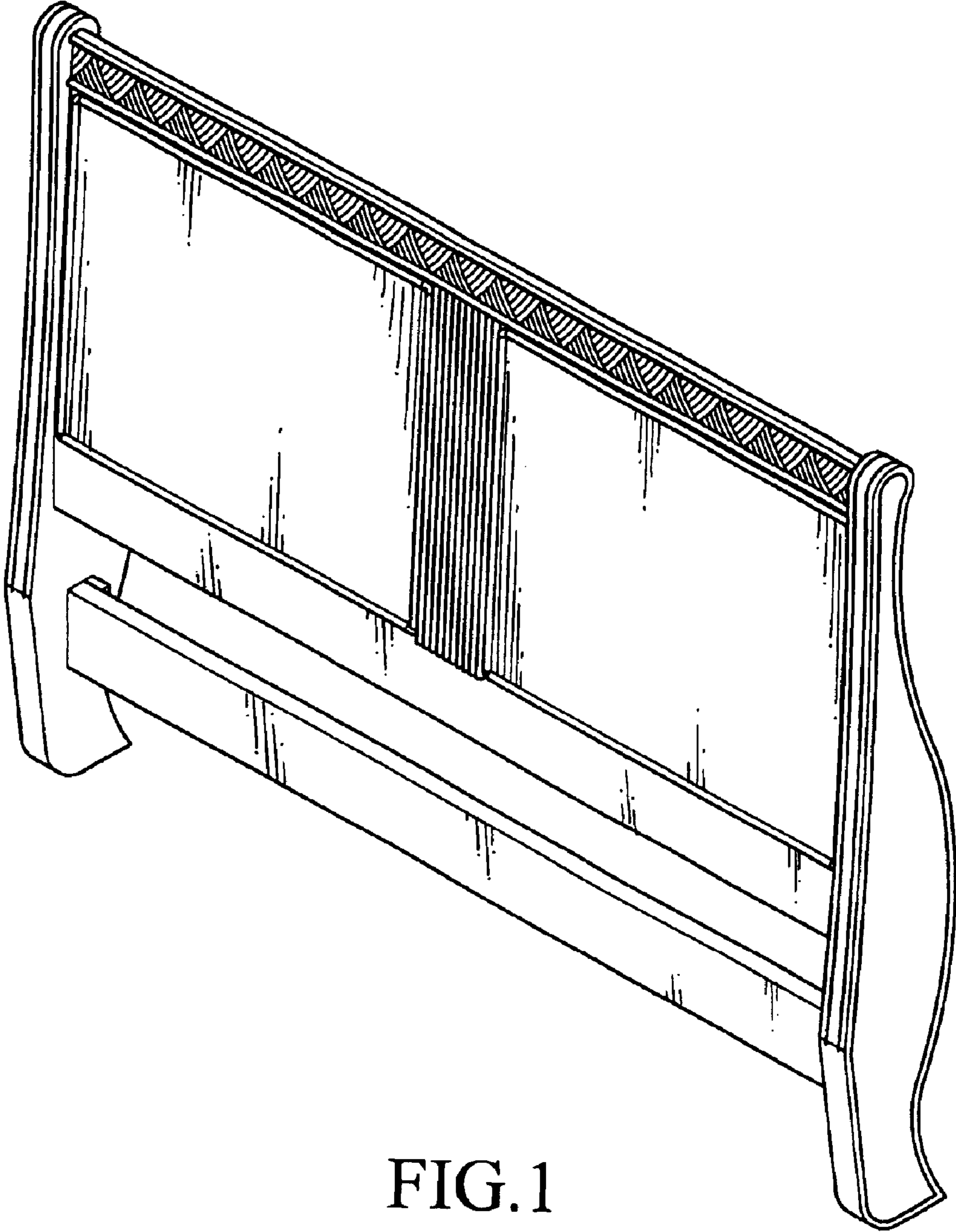


FIG. 1

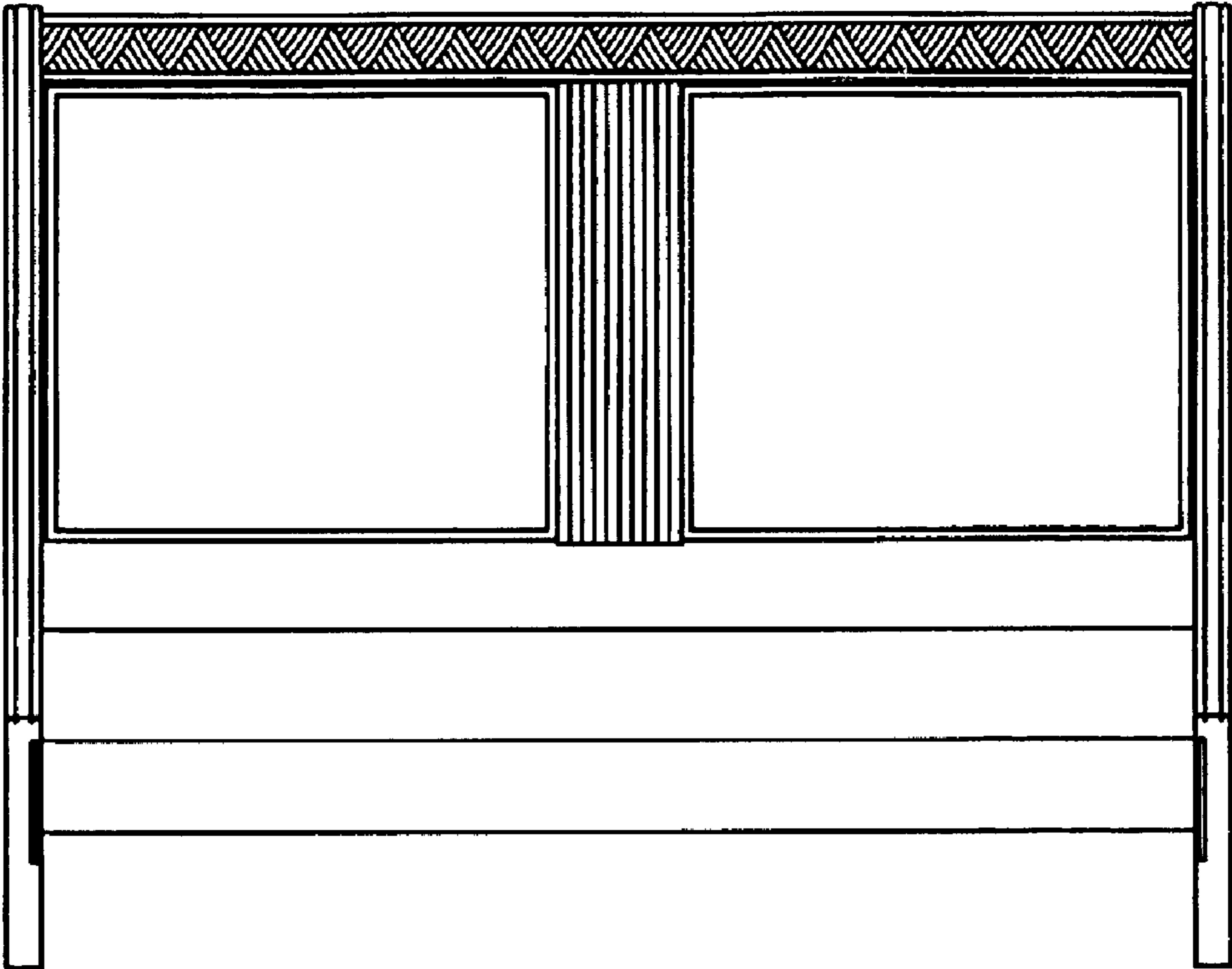


FIG. 2

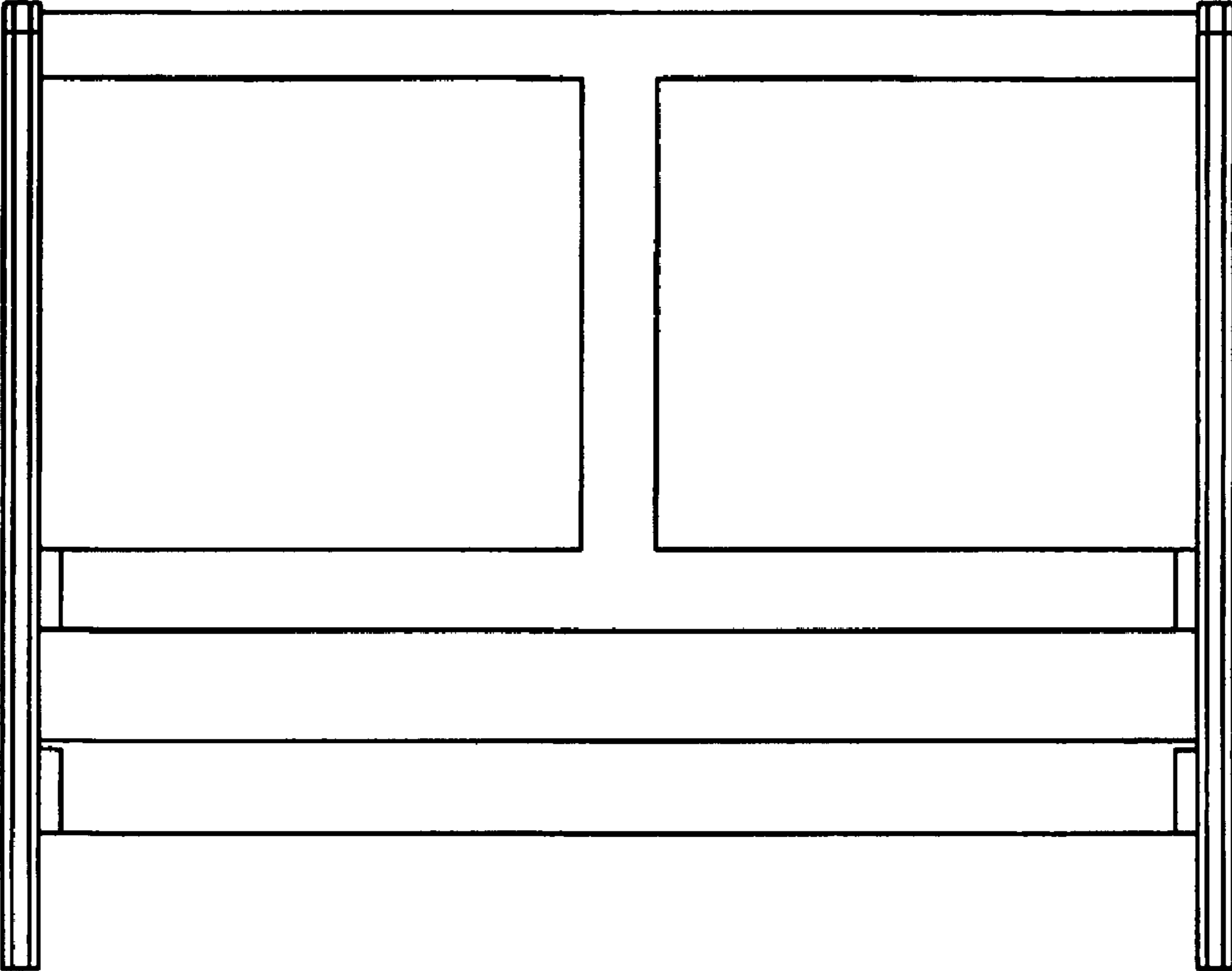


FIG.3

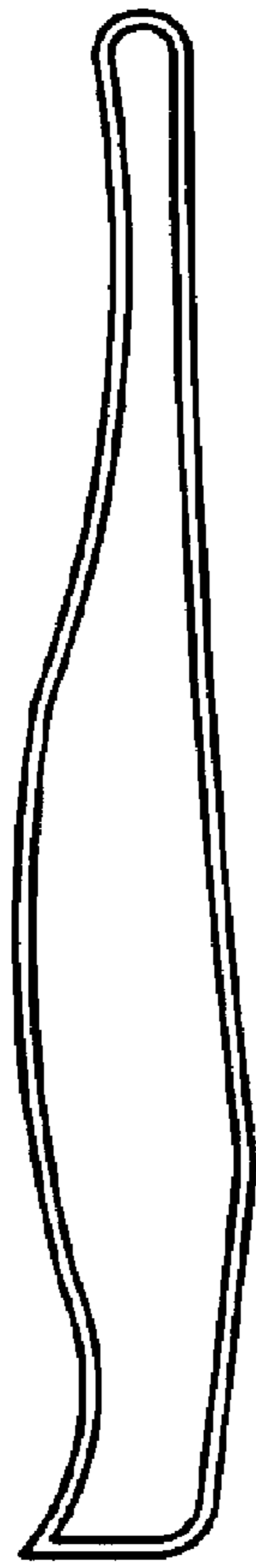


FIG. 4



FIG. 5

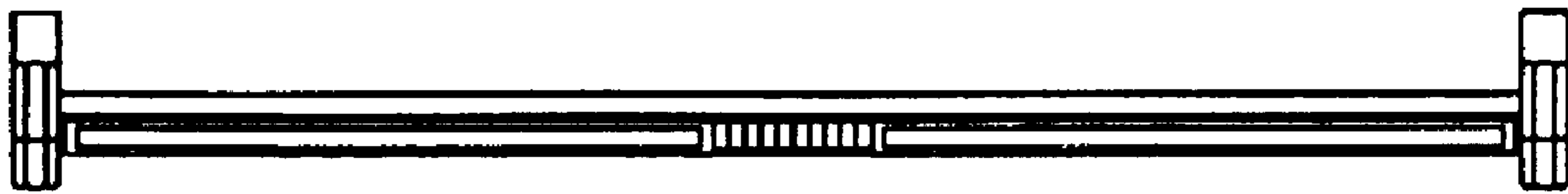


FIG. 6

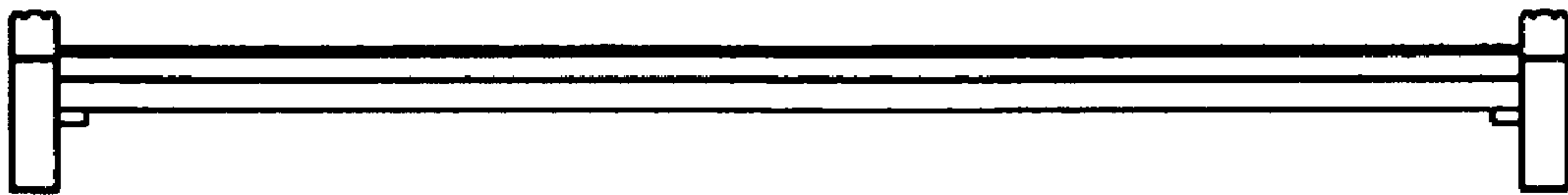


FIG. 7