

US00D503864S

(12) **United States Design Patent**
DiFanti

(10) **Patent No.:** **US D503,864 S**
(45) **Date of Patent:** **** Apr. 12, 2005**

(54) **FURNITURE SPACER**

(74) *Attorney, Agent, or Firm*—Salter & Michaelson

(76) **Inventor:** **Christopher D. DiFanti**, 161 W. Shore Rd., Warwick, RI (US) 02888

(57) **CLAIM**

The ornamental design for a furniture spacer, as shown and described.

(**) **Term:** **14 Years**

(21) **Appl. No.:** **29/196,071**

DESCRIPTION

(22) **Filed:** **Dec. 19, 2003**

(51) **LOC (7) Cl.** **06-06**

(52) **U.S. Cl.** **D6/491**

(58) **Field of Search** D6/491, 495, 496, D6/499, 511, 374, 406.3; 108/69; 112/260–261; 38/64; D15/72; D7/698

FIG. 1 is a top perspective view of a furniture spacer showing my new design;

FIG. 2 is a bottom perspective view thereof;

FIG. 3 is a top plan view thereof;

FIG. 4 is a bottom plan view thereof;

FIG. 5 is an end view thereof looking from the right with respect to FIG. 1;

FIG. 6 is an end view thereof looking from the left with respect to FIG. 1;

FIG. 7 is a side elevational view, it being understood that the opposite side is a mirror image thereof; and,

FIG. 8 is a perspective view showing my spacer in operative position between the leg of a piece of furniture and an adjacent wall.

The portions shown in broken lines in FIG. 8 are for illustration only and form no part of the claimed design.

(56) **References Cited**

U.S. PATENT DOCUMENTS

- 878,442 A * 2/1908 Woodward 112/261
- 1,452,696 A * 4/1923 Mock 108/69
- 2,305,343 A * 12/1942 Gadbois 112/217.1
- D238,038 S * 12/1975 Lo Turco D6/511
- 5,398,627 A * 3/1995 Nishikawa 112/475.17
- D386,571 S * 11/1997 Wilhelm D23/303

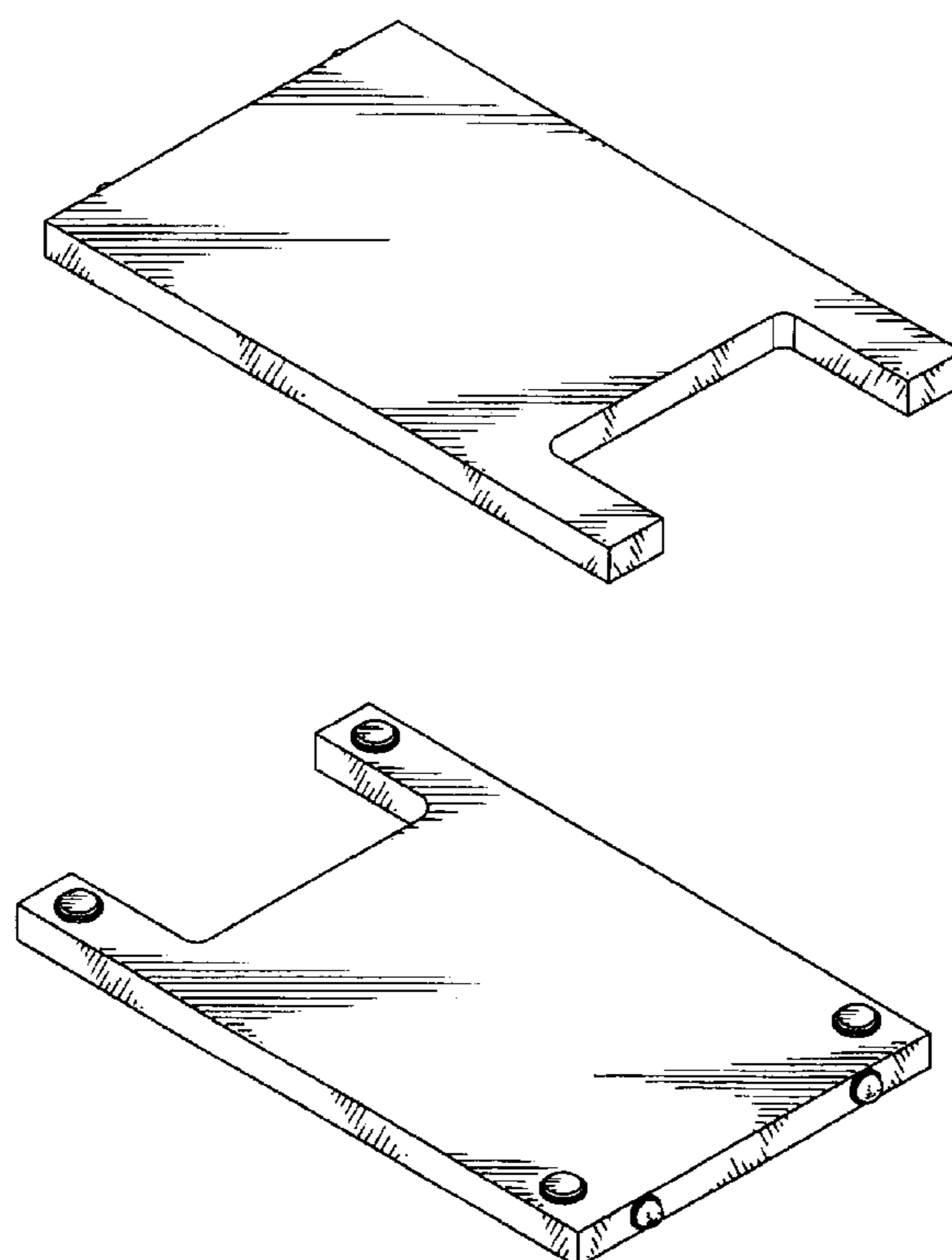
OTHER PUBLICATIONS

Simple Shapes Digest, #4845774, #3993394.*

* cited by examiner

Primary Examiner—Janice E. Seeger
Assistant Examiner—Sydney Buffalow

1 Claim, 4 Drawing Sheets



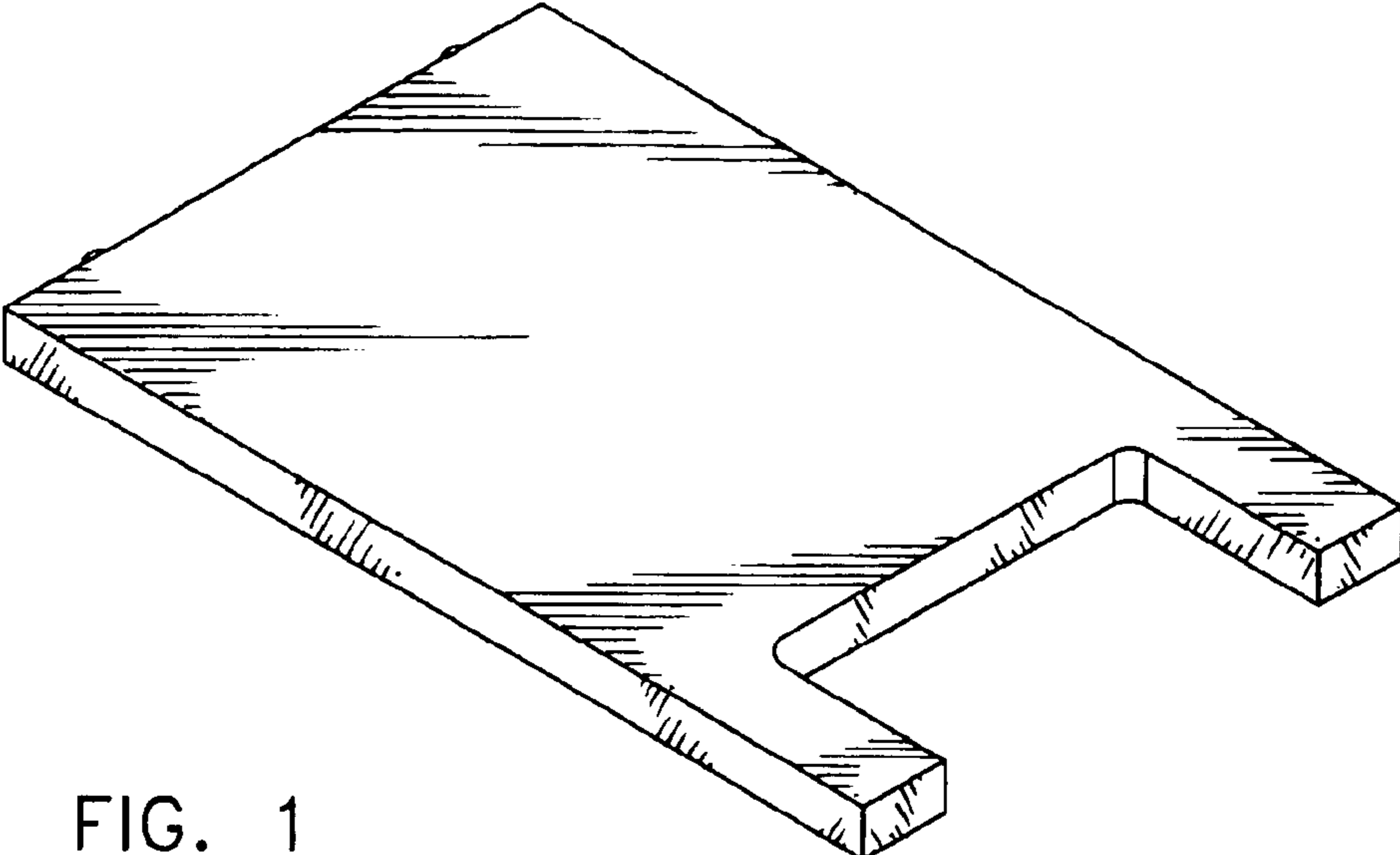


FIG. 1

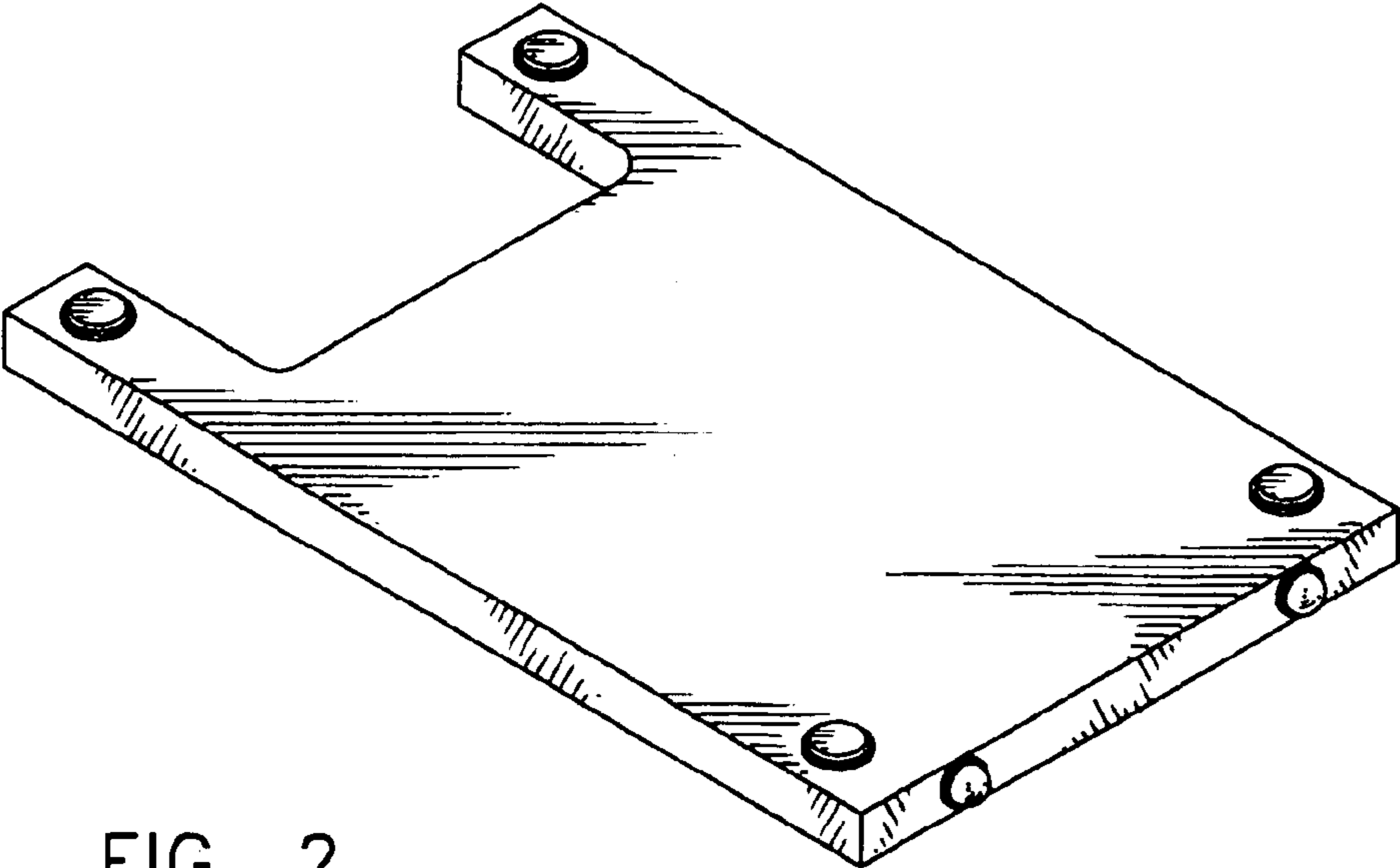


FIG. 2

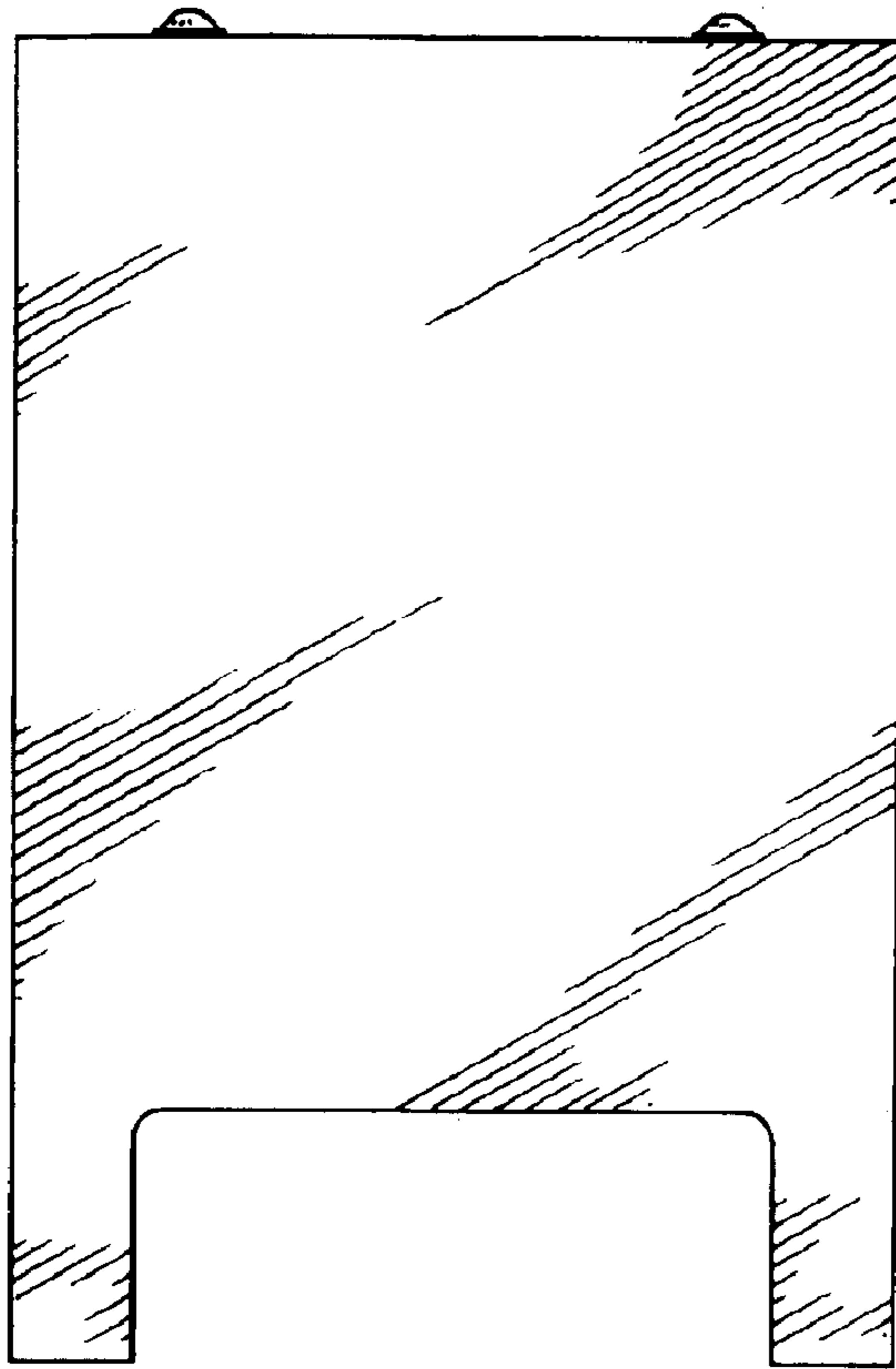


FIG. 3

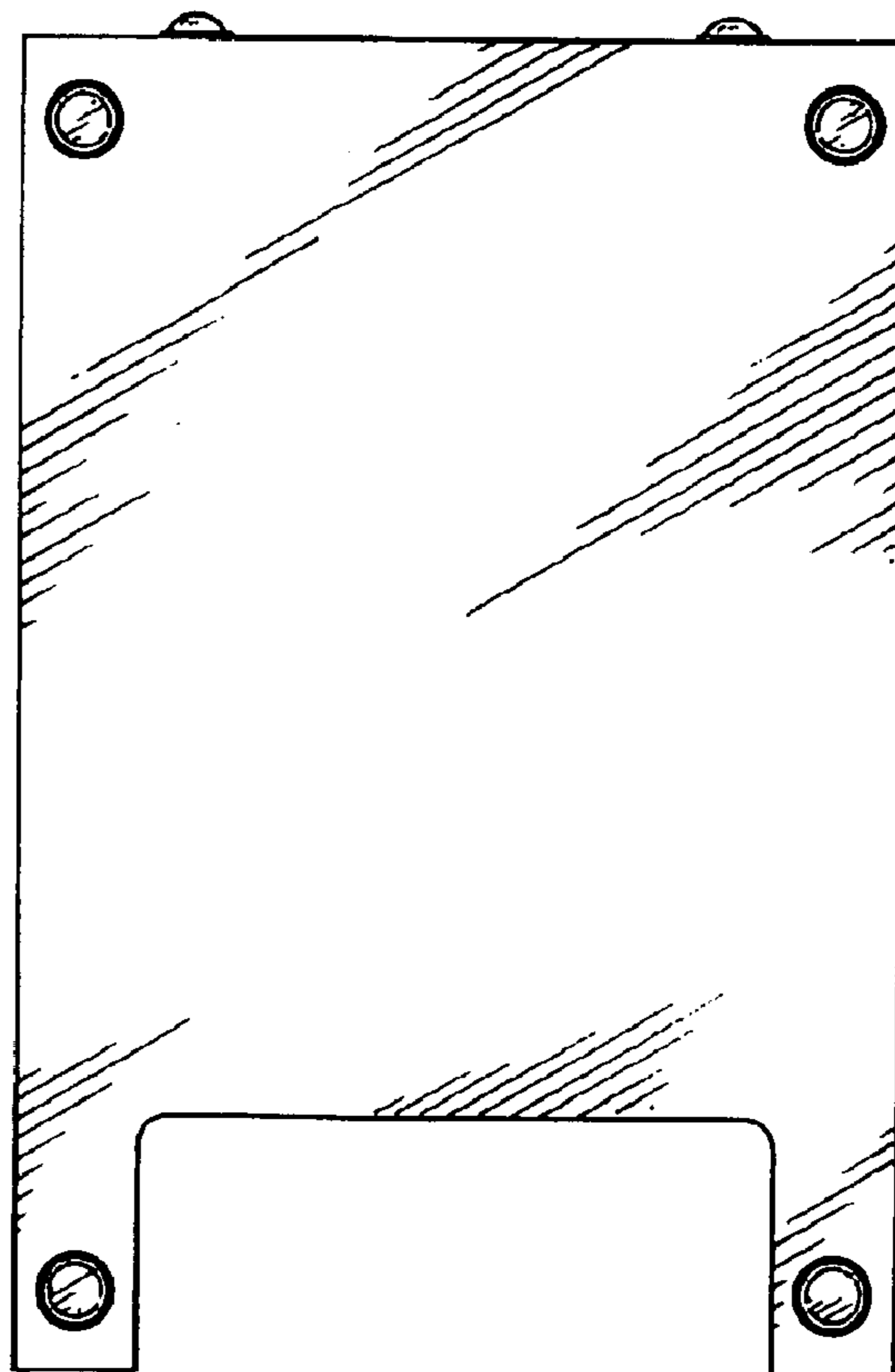


FIG. 4



FIG. 5



FIG. 6



FIG. 7

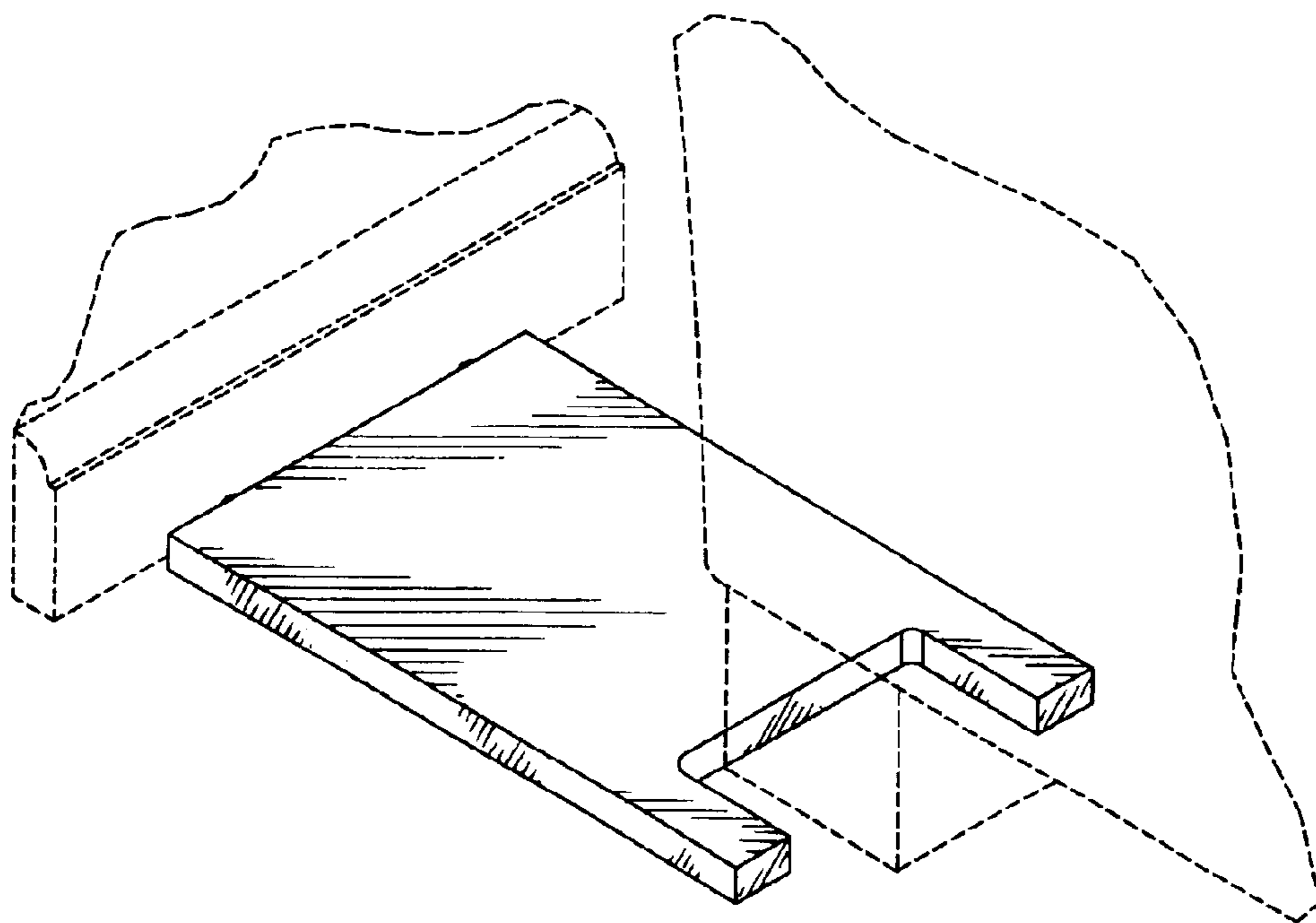


FIG. 8