

US00D503862S

(12) **United States Design Patent**  
**Nagata et al.**

(10) **Patent No.: US D503,862 S**  
(45) **Date of Patent: \*\* Apr. 12, 2005**

(54) **GAME DISK CASE**

(75) Inventors: **Hideo Nagata**, Kyoto (JP); **Noboru Wakitani**, Kyoto (JP); **Yasuhisa Kitano**, Kyoto (JP)

(73) Assignee: **Nintendo Co., Ltd.** (JP)

(\*\*) Term: **14 Years**

(21) Appl. No.: **29/166,197**

(22) Filed: **Aug. 26, 2002**

(30) **Foreign Application Priority Data**

Feb. 27, 2002 (JP) ..... 2002-004922  
Feb. 27, 2002 (JP) ..... 2002-004923

(51) **LOC (7) Cl.** ..... **19-04**

(52) **U.S. Cl.** ..... **D6/407; D6/408**

(58) **Field of Search** ..... D3/201, 218; D6/407,  
D6/626-635; 206/307.1, 308.1, 308.2, 308.3,  
309, 311, 312, 387.11, 387.12, 387.15;  
369/37, 75.2, 291; 379/355

(56) **References Cited**

**U.S. PATENT DOCUMENTS**

D226,146 S \* 1/1973 Price  
D245,454 S \* 8/1977 Feingold et al. .... D6/407

(Continued)

*Primary Examiner*—Celia A. Murphy

(74) *Attorney, Agent, or Firm*—Nixon & Vanderhye PC

(57) **CLAIM**

The ornamental design for a game disk case, as shown and described.

**DESCRIPTION**

FIG. 1 is a front, top and right perspective view of a first embodiment of a game disk case showing our new design, the case being opened, a dotted line showing portions other than the new design;

FIG. 2 is a rear, bottom and left perspective view of the first embodiment, the case being opened, a dotted line showing portions other than the new design;

FIG. 3 is a front, top and right perspective view of the first embodiment, a disk holder is detached from the case, the case being opened, a dotted line showing portions other than the new design;

FIG. 4 is a rear, bottom and left perspective view of the first embodiment, the disk holder being detached from the case, the case being opened, a dotted line showing portions other than the new design;

FIG. 5 is a top plan view of the first embodiment, the case being opened, a dotted line showing portions other than the new design;

FIG. 6 is a bottom view of the first embodiment, the case being opened, a dotted line showing portions other than the new design;

FIG. 7 is a front view of the first embodiment, the case being opened, a dotted line showing portions other than the new design;

FIG. 8 is a rear view of the first embodiment, the case being opened, a dotted line showing portions other than the new design;

FIG. 9 is a right side view of the first embodiment, the case being opened, a dotted line showing the new design;

FIG. 10 is a left side view of the first embodiment, the case being opened, a dotted line showing the new design;

FIG. 11 is a front, top and right perspective view of the first embodiment, the case being closed, a dotted line showing portions other than the new design;

FIG. 12 is a top plan view of the first embodiment, the case being closed, a dotted line showing portions other than the new design;

FIG. 13 is a bottom view of the first embodiment, the case being closed, a dotted line showing portions other than the new design;

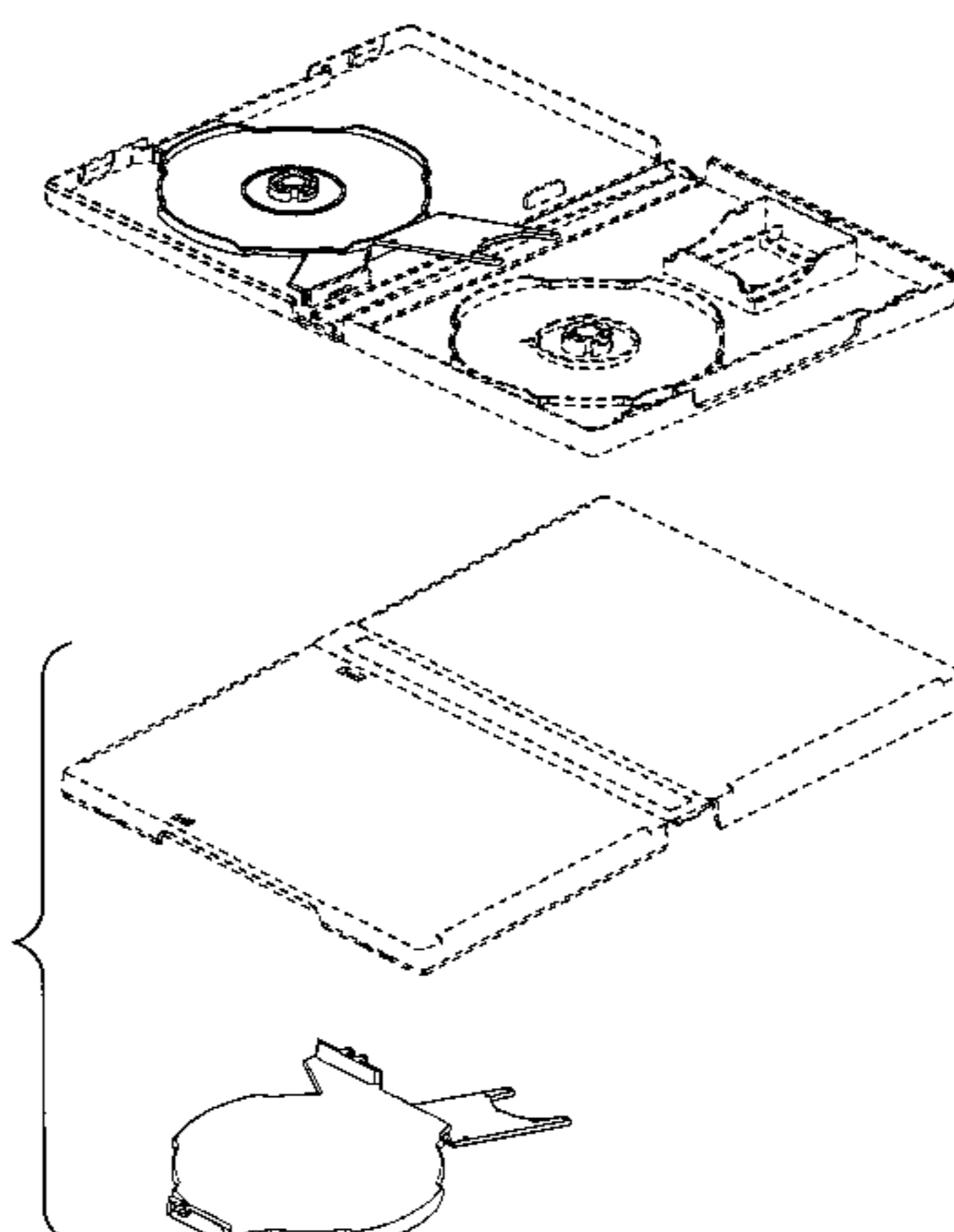
FIG. 14 is a front view of the first embodiment, the case being closed, a dotted line showing portions other than the new design, a rear view being a mirror image;

FIG. 15 is a right side view of the first embodiment, the case being closed, a dotted line showing portions other than the new design; and,

FIG. 16 is a left side view of the first embodiment, the case being closed, a dotted line showing portions other than the new design.

The broken lines showing the surrounding case throughout the views, illustrate the portions of the design that form no part of the claim.

**1 Claim, 8 Drawing Sheets**



# US D503,862 S

Page 2

---

## U.S. PATENT DOCUMENTS

4,518,275	A	*	5/1985	Rauch, III et al.	
D280,951	S	*	10/1985	Holland	D6/631
D321,429	S		11/1991	Kojo	
D342,379	S	*	12/1993	Taniyama	D6/634
5,285,893	A	*	2/1994	Misterka et al.	
D347,320	S	*	5/1994	Corday	D6/634
D358,961	S	*	6/1995	Lax	D6/634
D366,802	S	*	2/1996	Roberts et al.	D6/632
5,537,389	A		7/1996	Kuwa et al.	
5,573,120	A	*	11/1996	Kaufman et al.	206/755
D378,333	S	*	3/1997	Anderson	D6/632
D396,707	S		8/1998	Ashida	
5,899,327	A	*	5/1999	Sykes	206/307.1
5,923,641	A		7/1999	Fujita	
6,398,022	B1	*	6/2002	Mou et al.	206/308.1
6,443,300	B1	*	9/2002	Gelardi	206/312
D474,935	S	*	5/2003	Goto	D6/631
D477,143	S		7/2003	Nagata et al.	
6,604,635	B1	*	8/2003	Kutaragi et al.	206/579
6,626,289	B1	*	9/2003	Nagata et al.	206/307.1
6,683,847	B1	*	1/2004	Kutaragi et al.	369/291
2001/0021167	A1	*	9/2001	Kutaragi et al.	

\* cited by examiner

FIG. 1

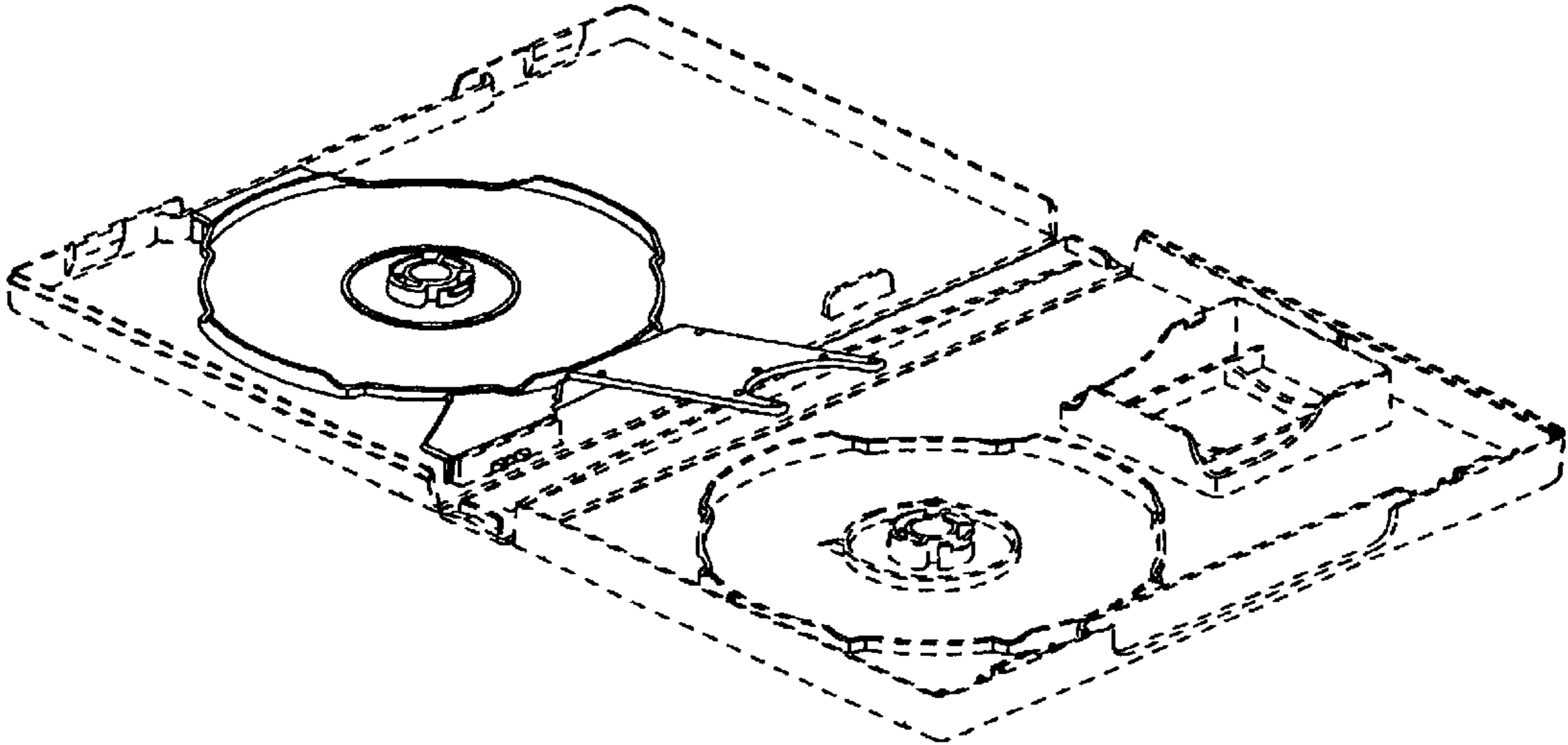


FIG. 2

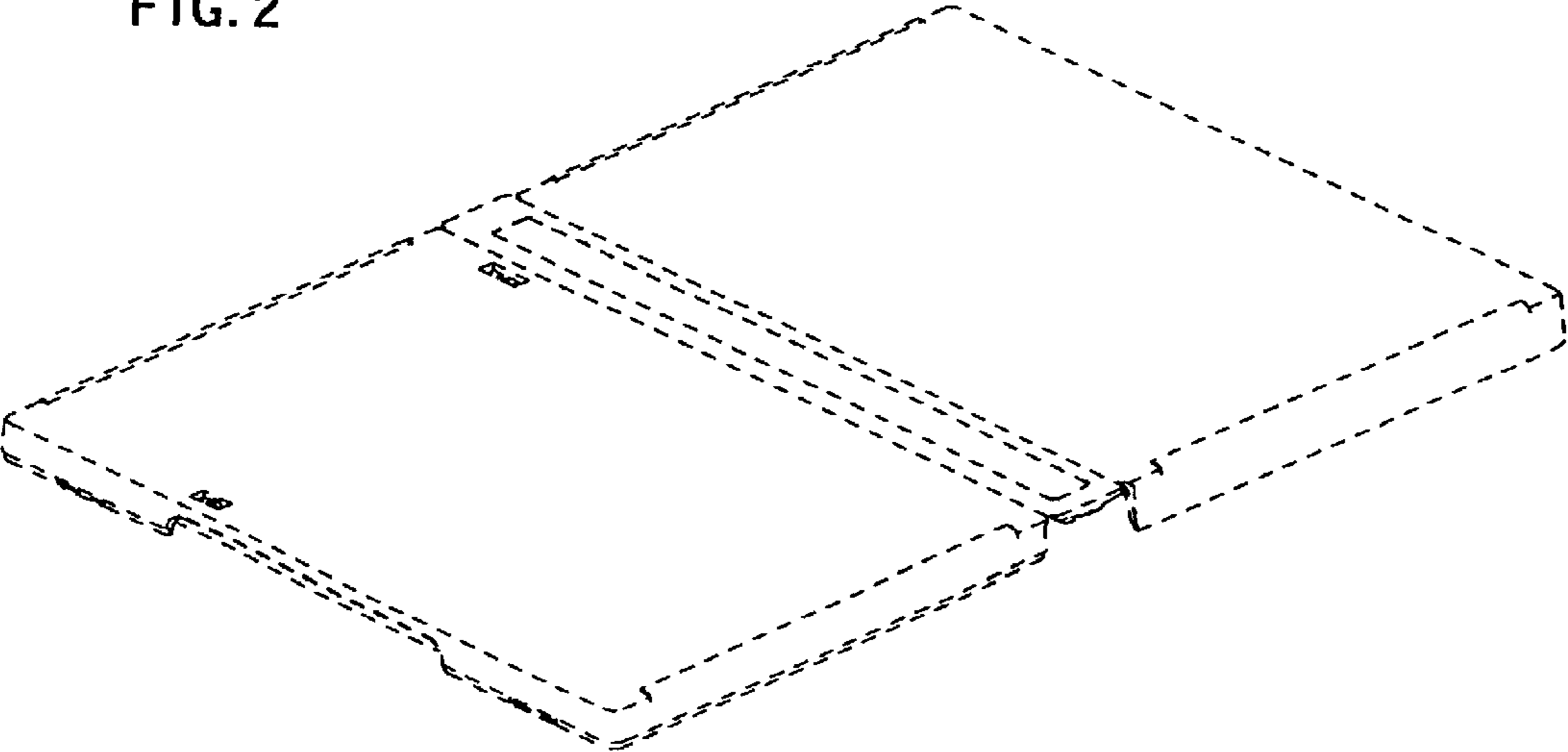


FIG. 3

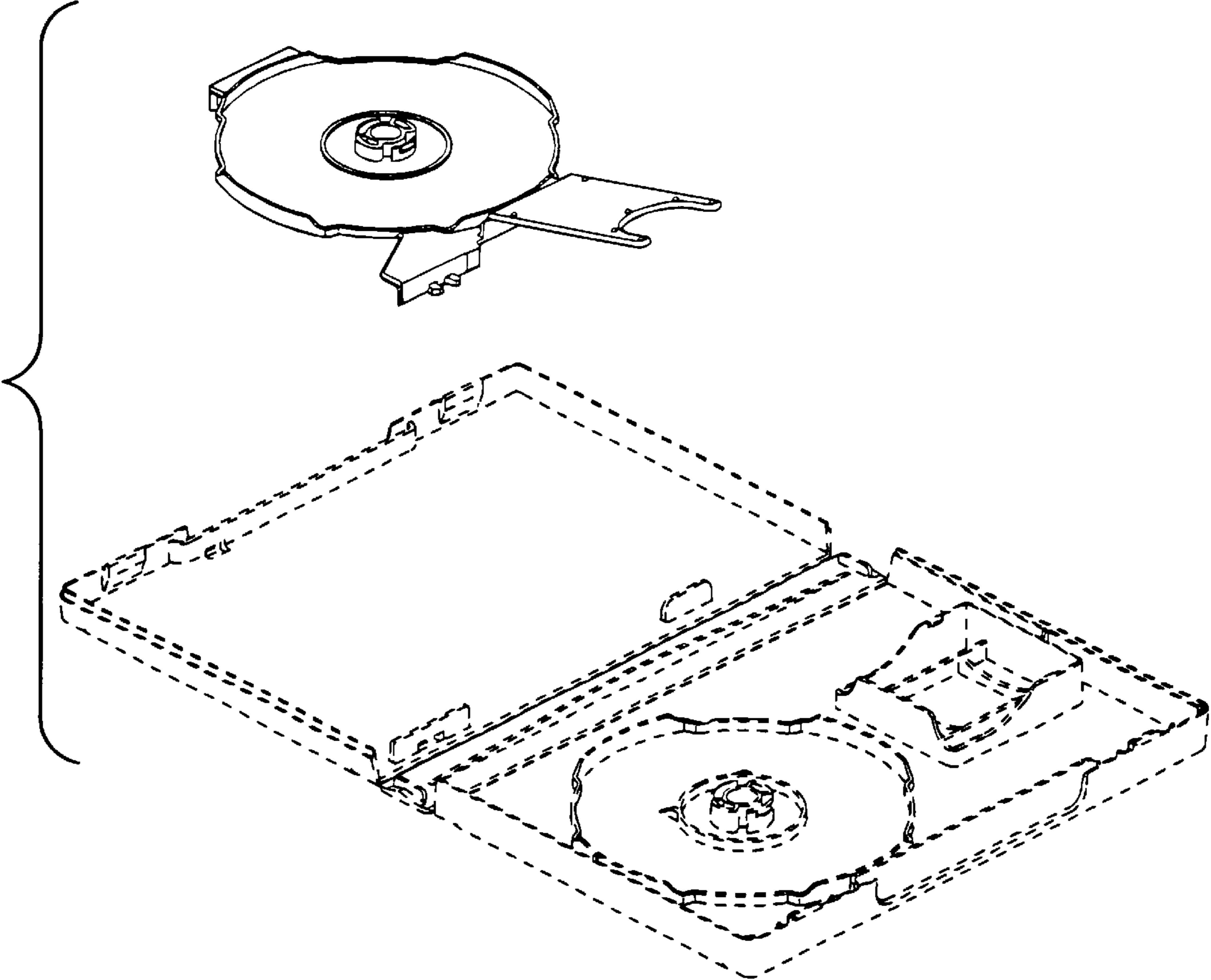


FIG. 4

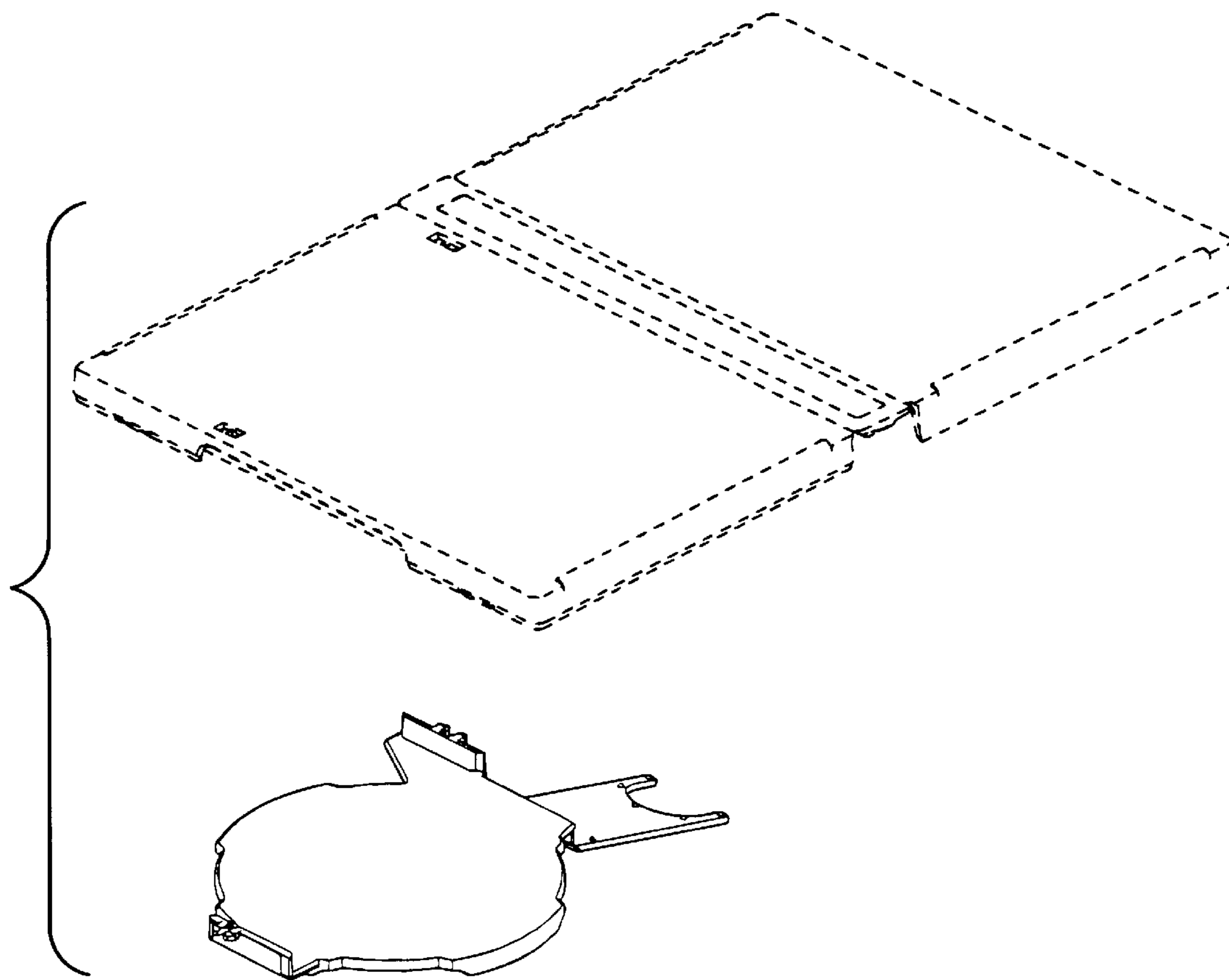


FIG. 5

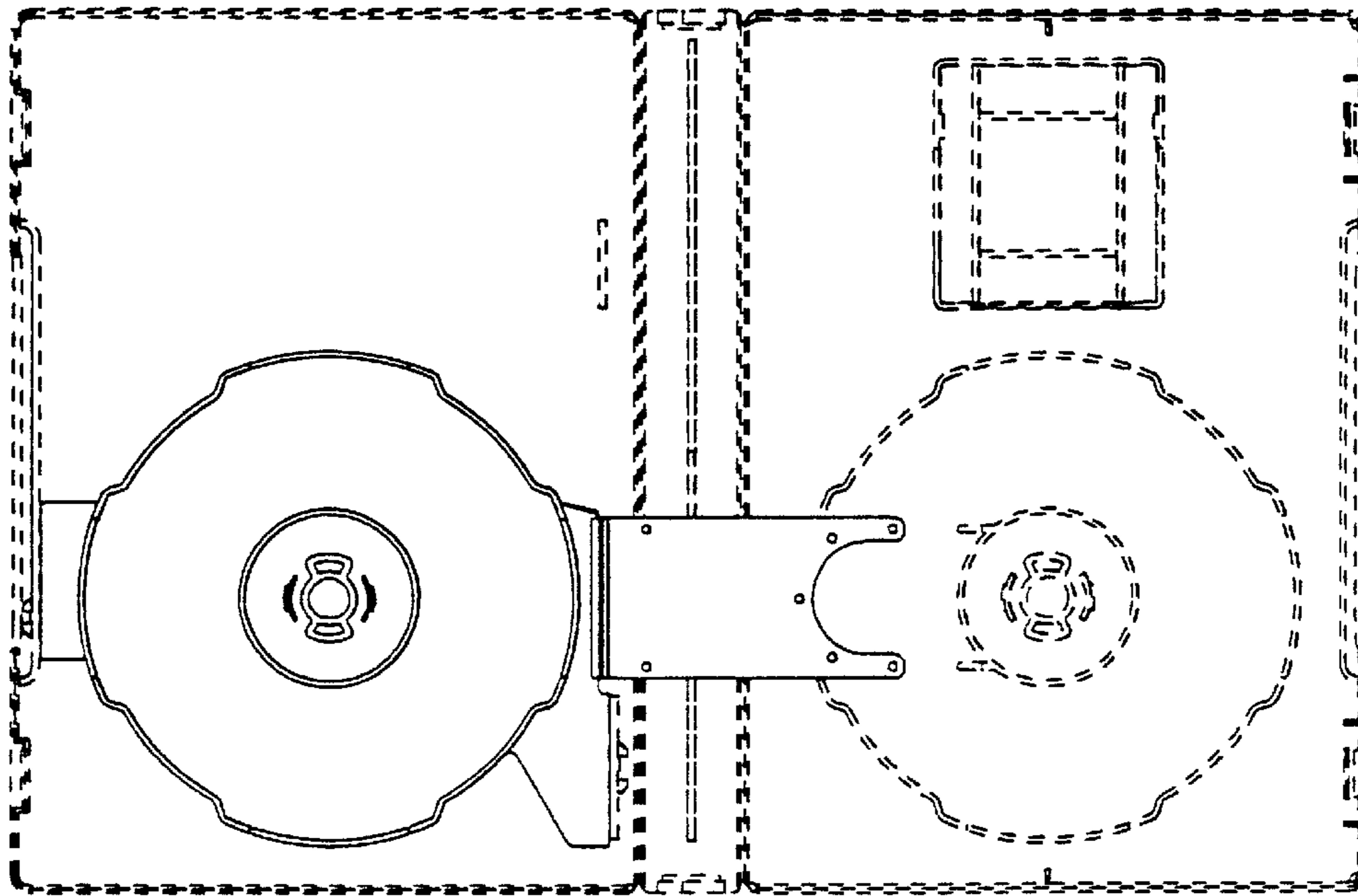


FIG. 6

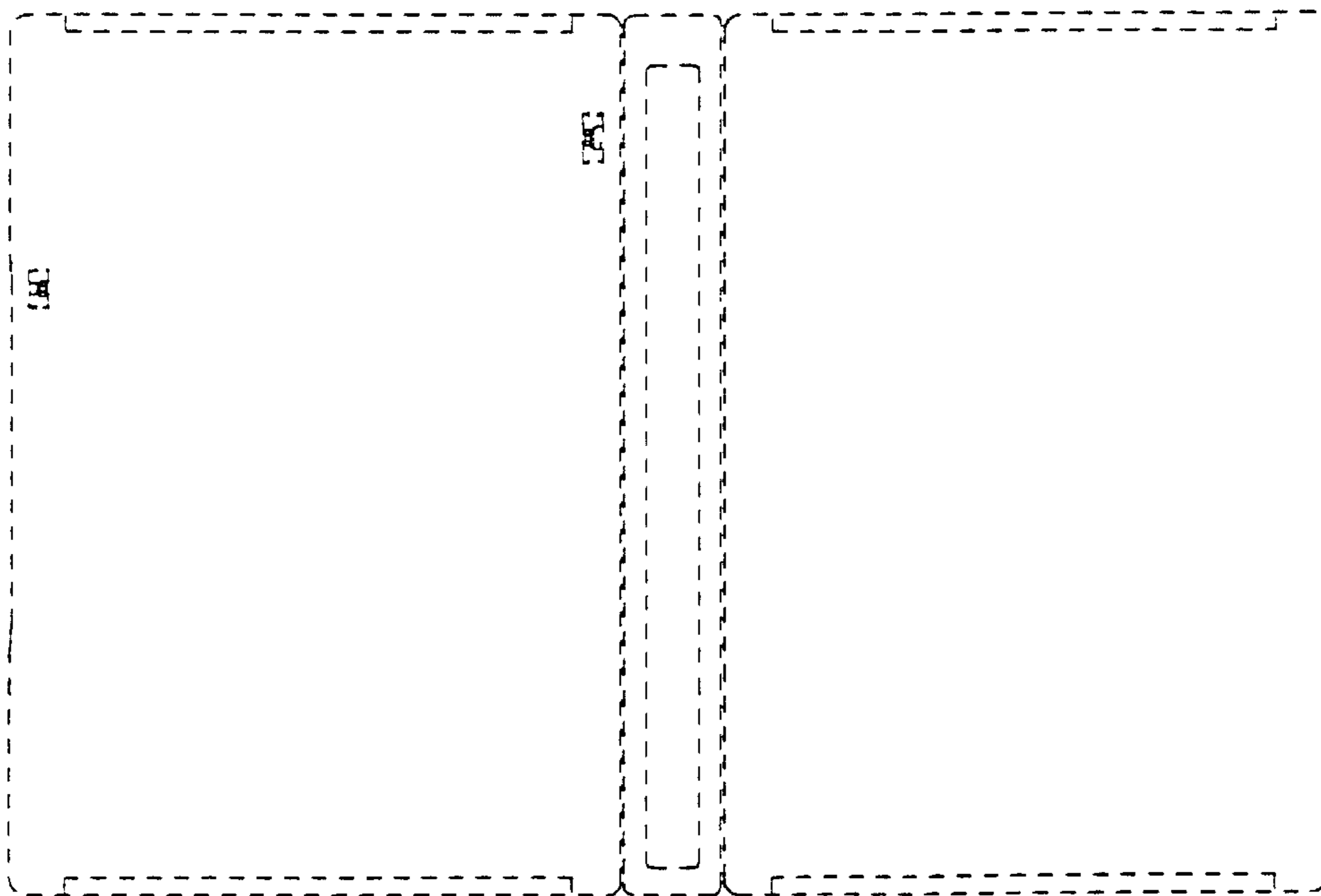


FIG. 7

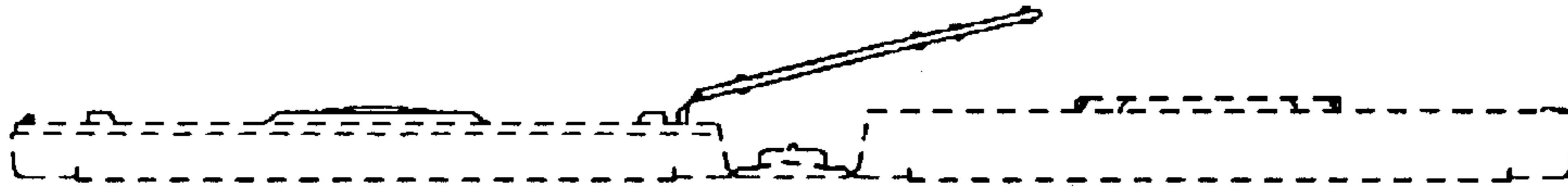


FIG. 8



FIG. 9

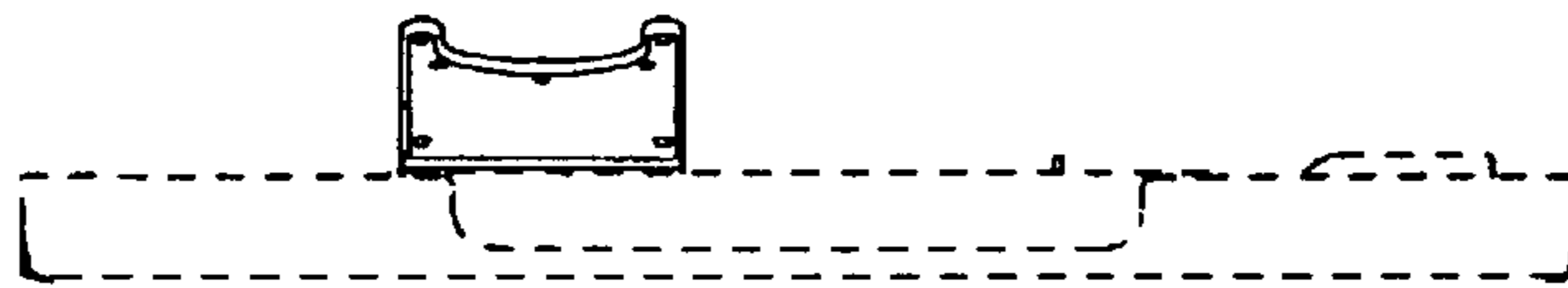


FIG. 10

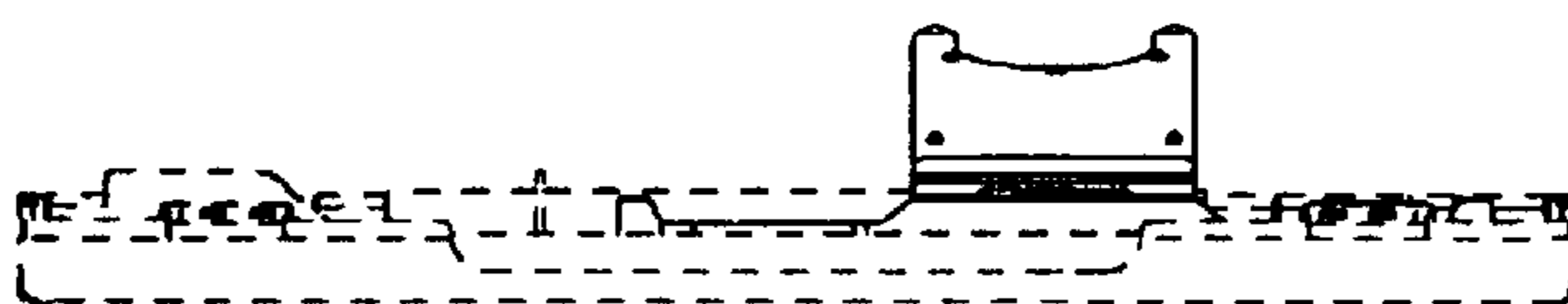


FIG. 11

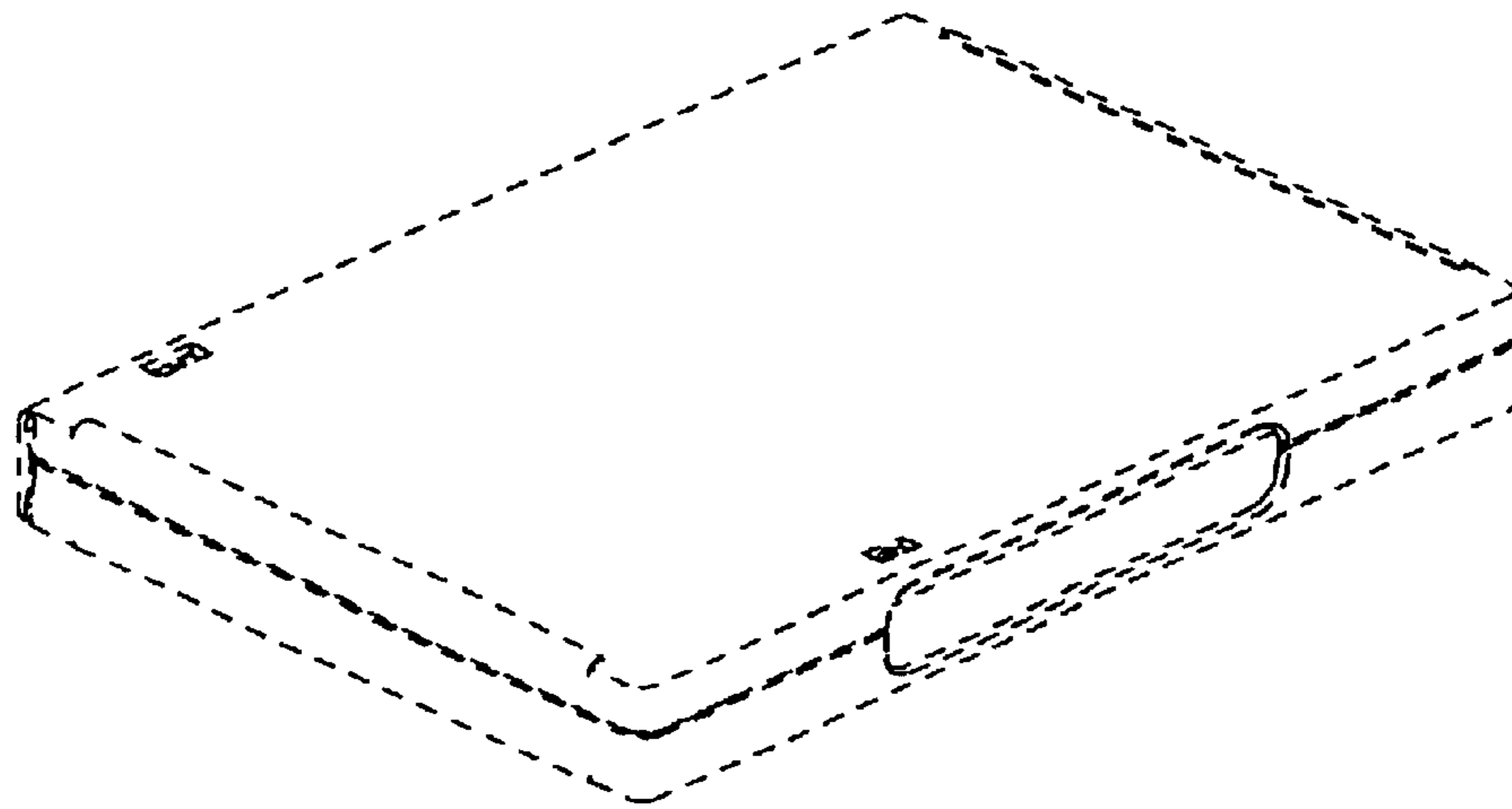




FIG. 12

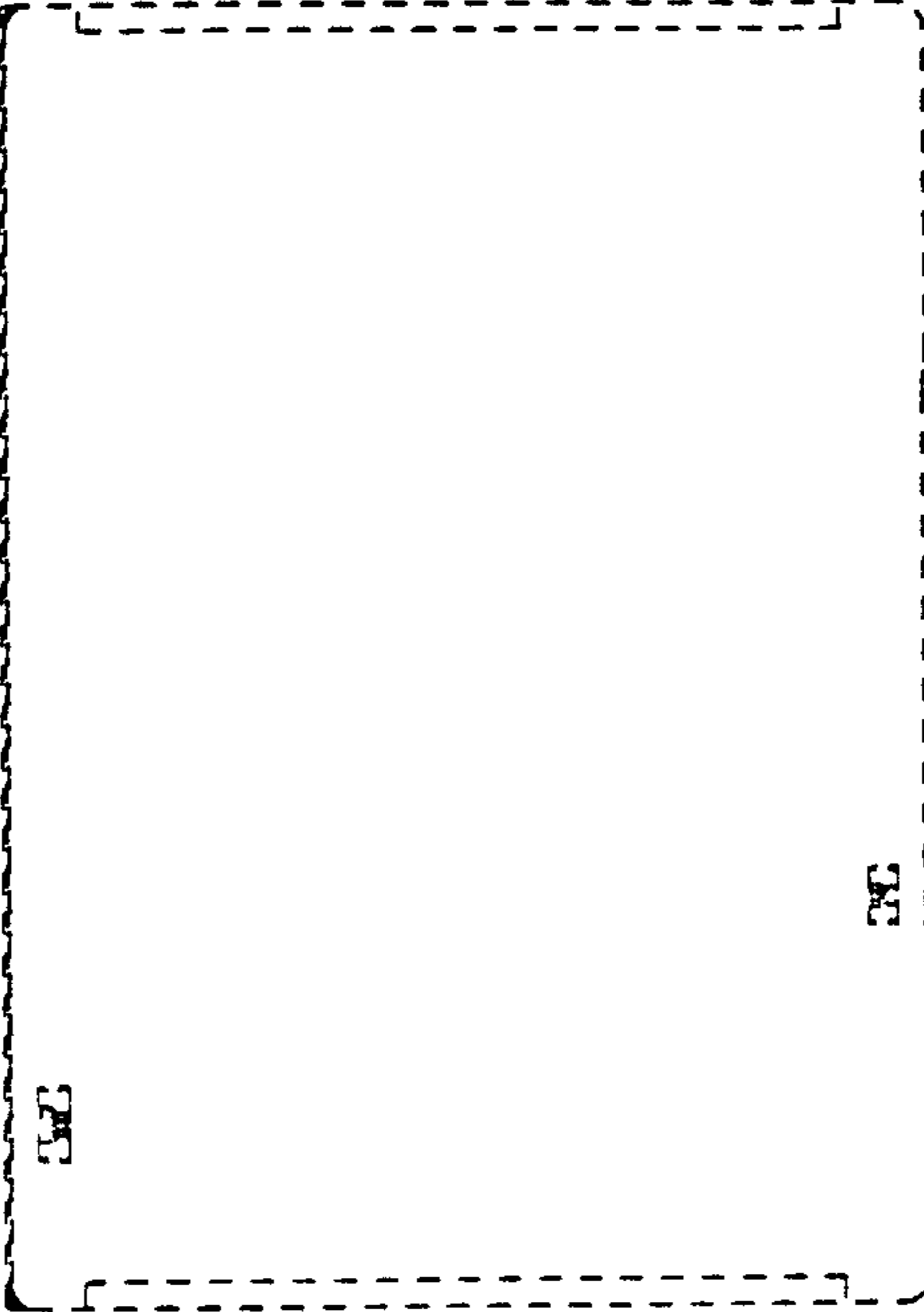


FIG. 13

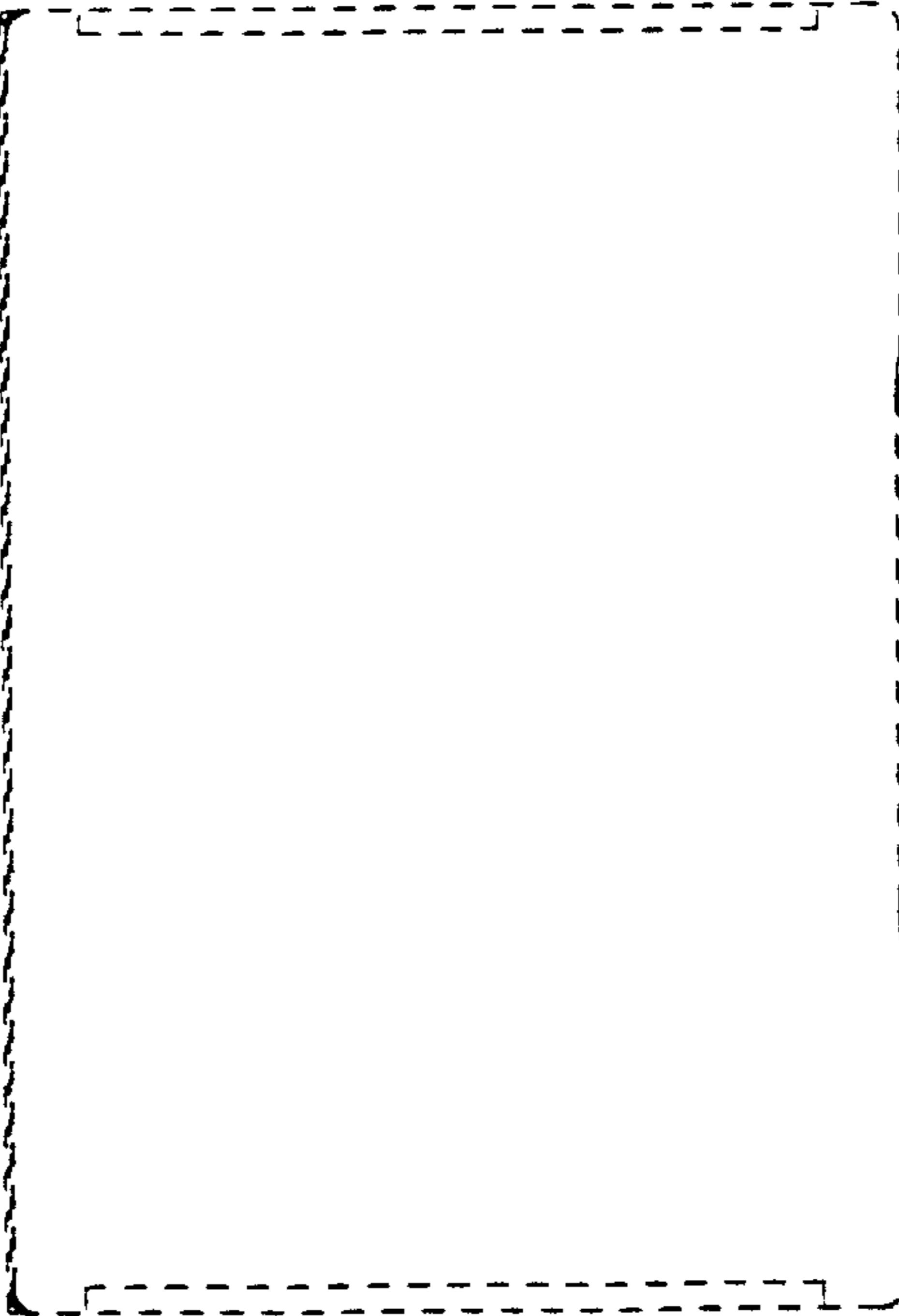


FIG. 14

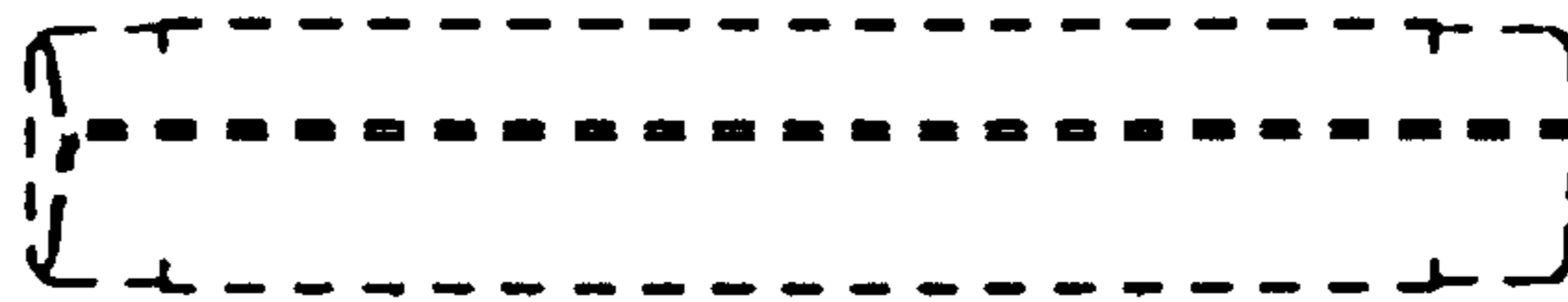


FIG. 15

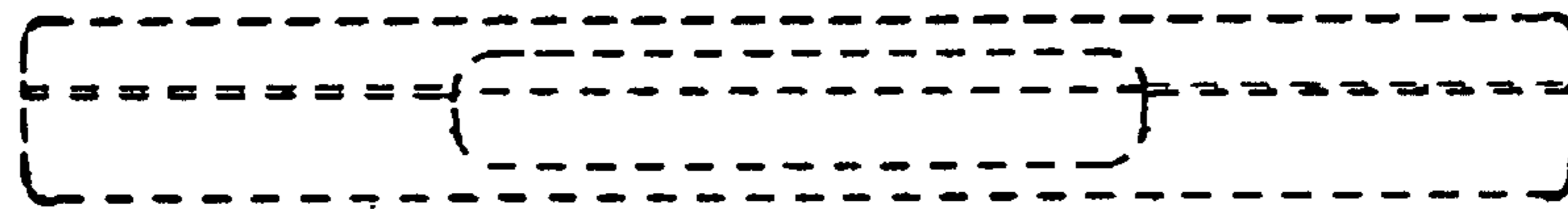


FIG. 16

