

US00D503860S

(12) **United States Design Patent**  
**Peterson et al.**

(10) **Patent No.: US D503,860 S**  
(45) **Date of Patent: \*\* Apr. 12, 2005**

(54) **BED**

(75) Inventors: **Dale Peterson**, New York, NY (US);  
**Jonsara Ruth**, Brooklyn, NY (US);  
**Stacy Mar**, New York, NY (US)

(73) Assignee: **Martha Stewart Living Omnimedia, Inc.**, New York, NY (US)

(\*\*) Term: **14 Years**

(21) Appl. No.: **29/188,551**

(22) Filed: **Aug. 19, 2003**

(51) **LOC (7) Cl.** ..... **06-02**

(52) **U.S. Cl.** ..... **D6/393**

(58) **Field of Search** ..... D6/382-395, 505-508;  
5/53.1, 279.1, 280, 281, 907

(56) **References Cited**

**U.S. PATENT DOCUMENTS**

D309,387 S	*	7/1990	Marshall	.....	D6/394
D417,973 S	*	12/1999	Lacroix et al.	.....	D6/393
D443,773 S	*	6/2001	O'Hare et al.	.....	D6/393
D463,156 S	*	9/2002	Lenger	.....	D6/393

**OTHER PUBLICATIONS**

Pennsylvania House, c1971, p. 93, bed at top.\*

\* cited by examiner

*Primary Examiner*—Janice E. Seeger

(74) *Attorney, Agent, or Firm*—Kenyon & Kenyon

(57) **CLAIM**

The ornamental design for a bed, as shown and described.

**DESCRIPTION**

FIG. 1 is a perspective view of an embodiment of a bed showing my new design;

FIG. 2 is a left side view thereof, the right side view being a mirror image thereof;

FIG. 3 is a front view thereof;

FIG. 4 is a top view thereof;

FIG. 5 is an enlarged view of the leg thereof;

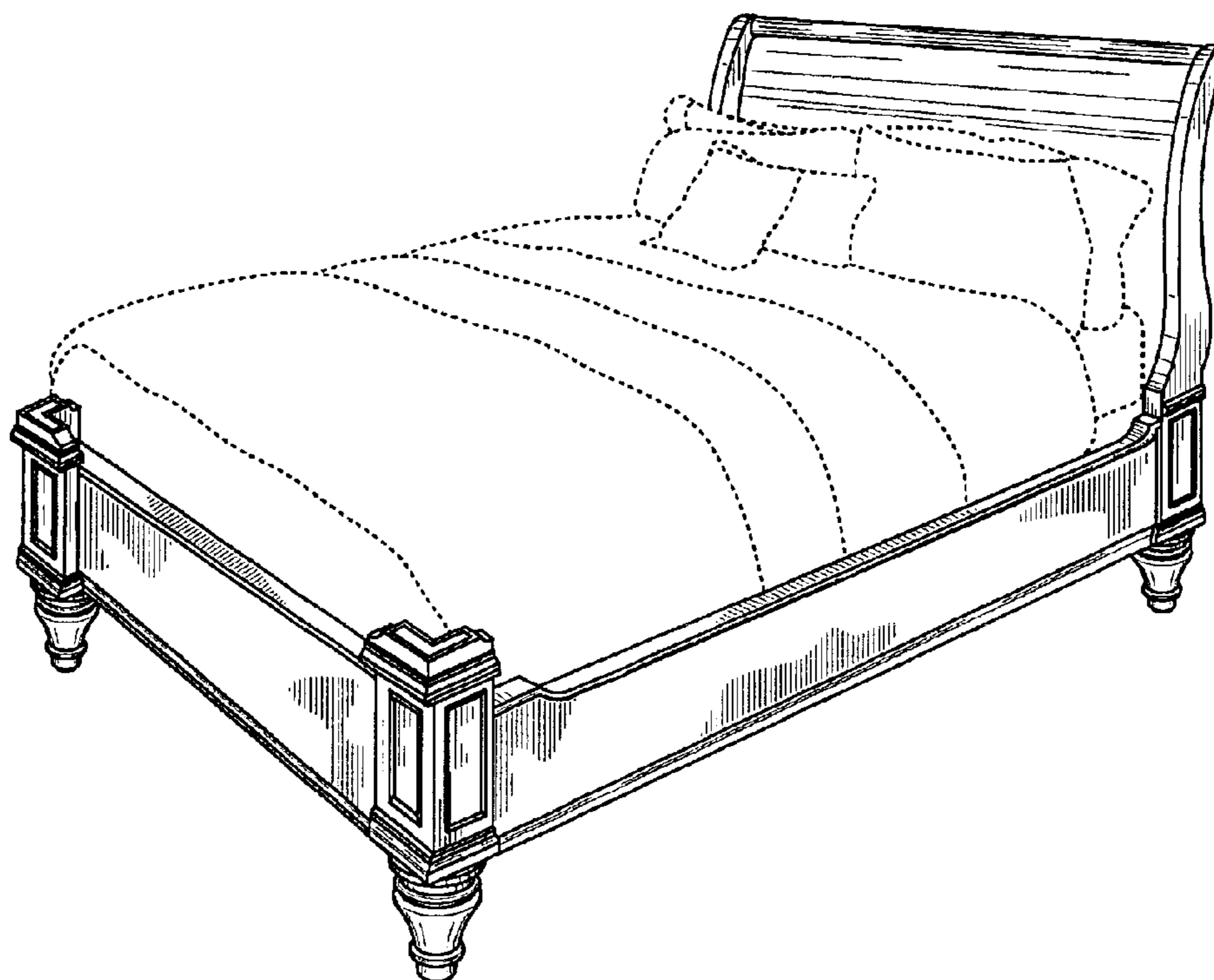
FIG. 6 is a left side view of a second embodiment of a bed showing my new design, the side being shown broken away to indicate indeterminate length, the right side view being a mirror image thereof; and,

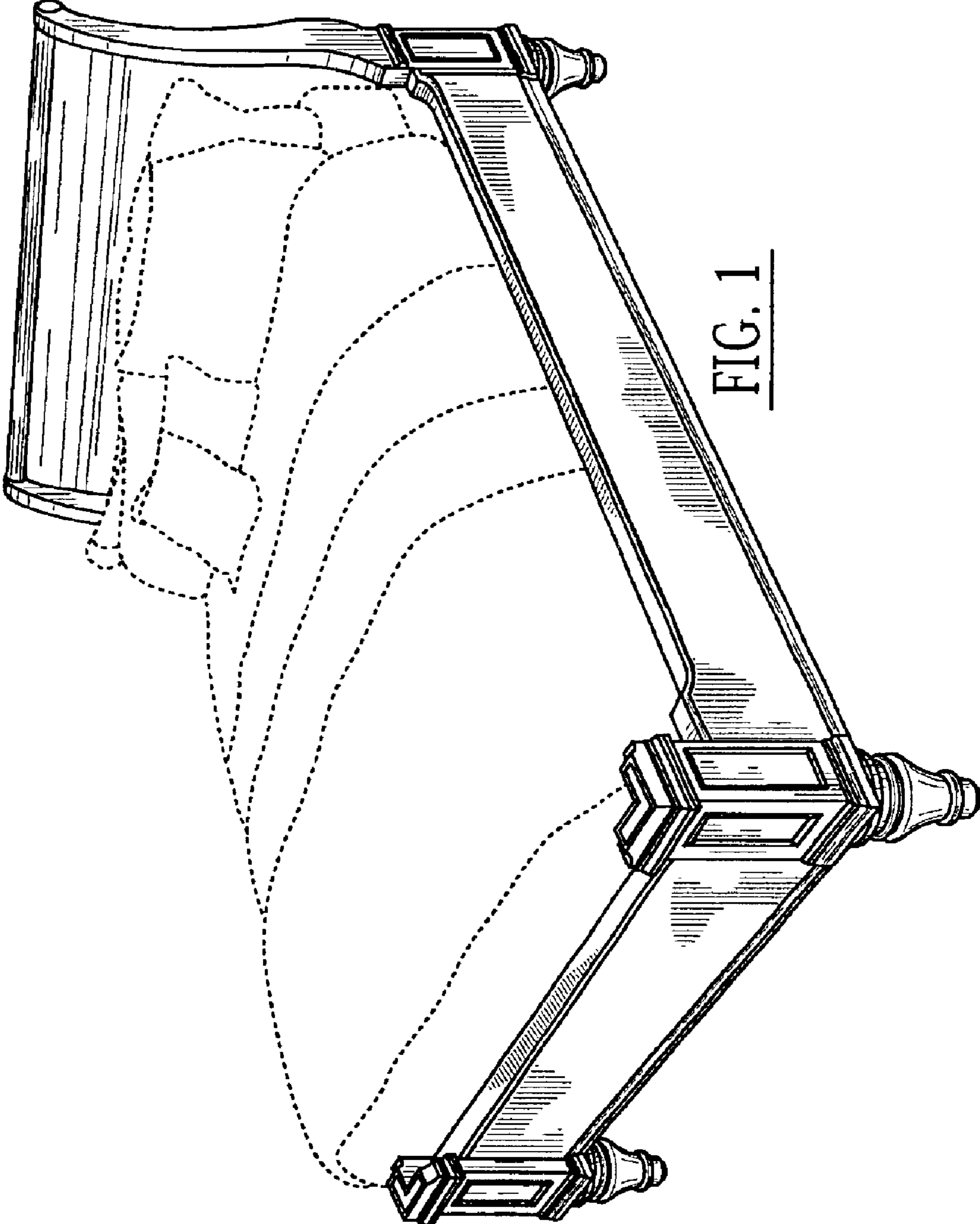
FIG. 7 is a front view thereof, shown broken away to indicate indeterminate width.

FIGS. 1 to 5 illustrate the bed of my design in the proportion of a Queen size bed. FIGS. 6 and 7 show that the width and/or the length of the bed of my design is indeterminate.

The single broken line portions are for illustrative purposes only and form no part of the claimed design.

**1 Claim, 7 Drawing Sheets**





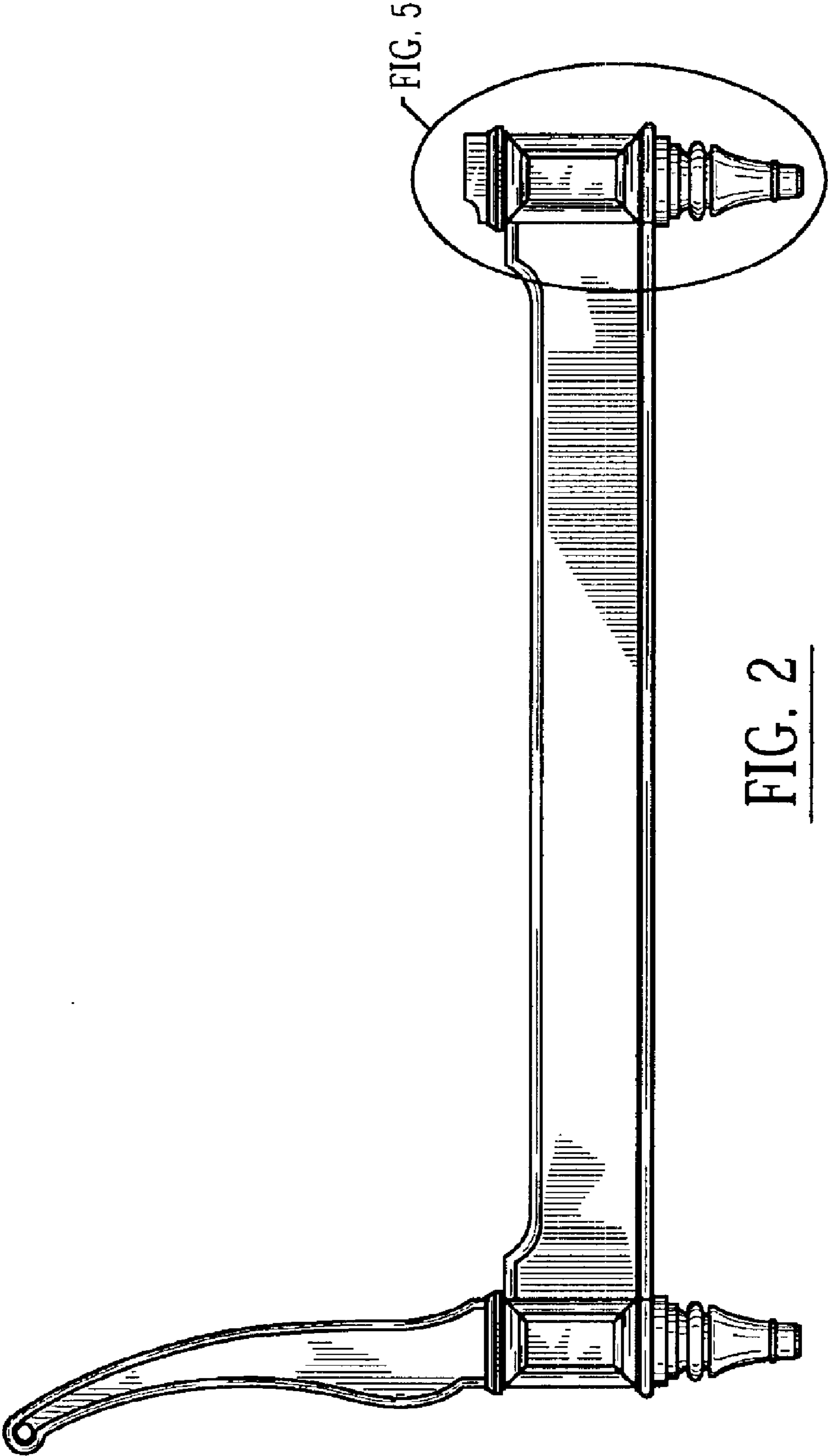


FIG. 2

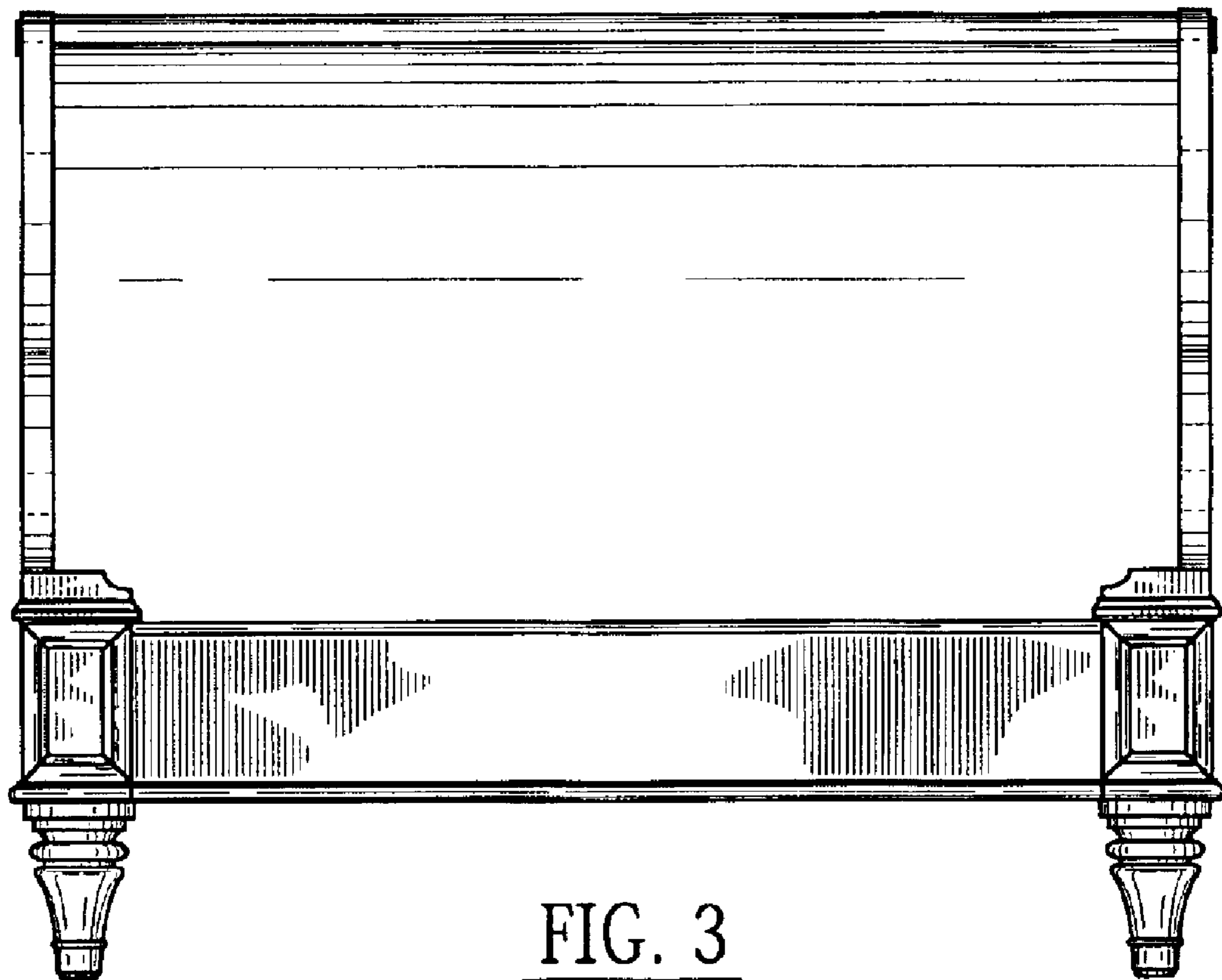


FIG. 3

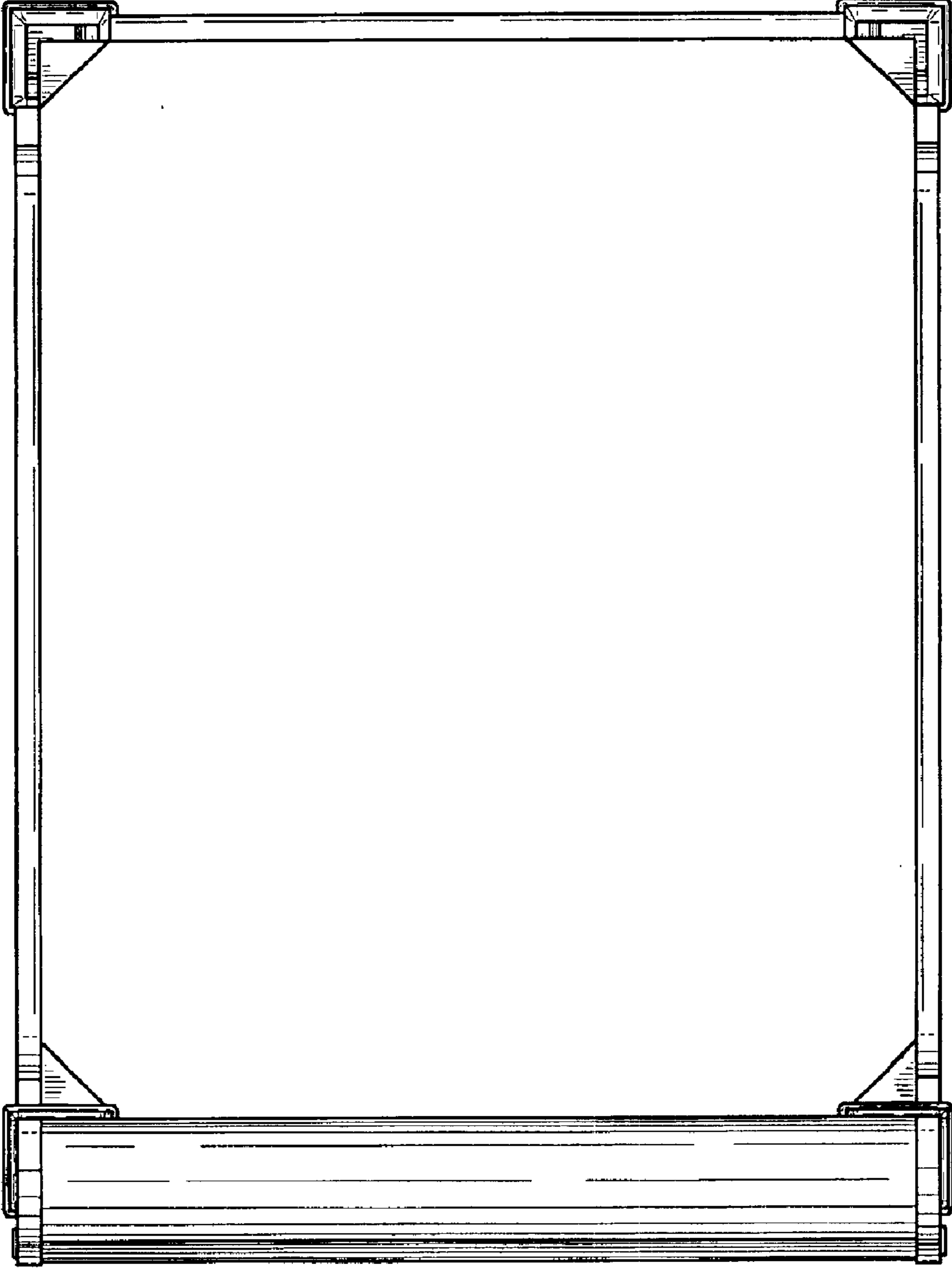
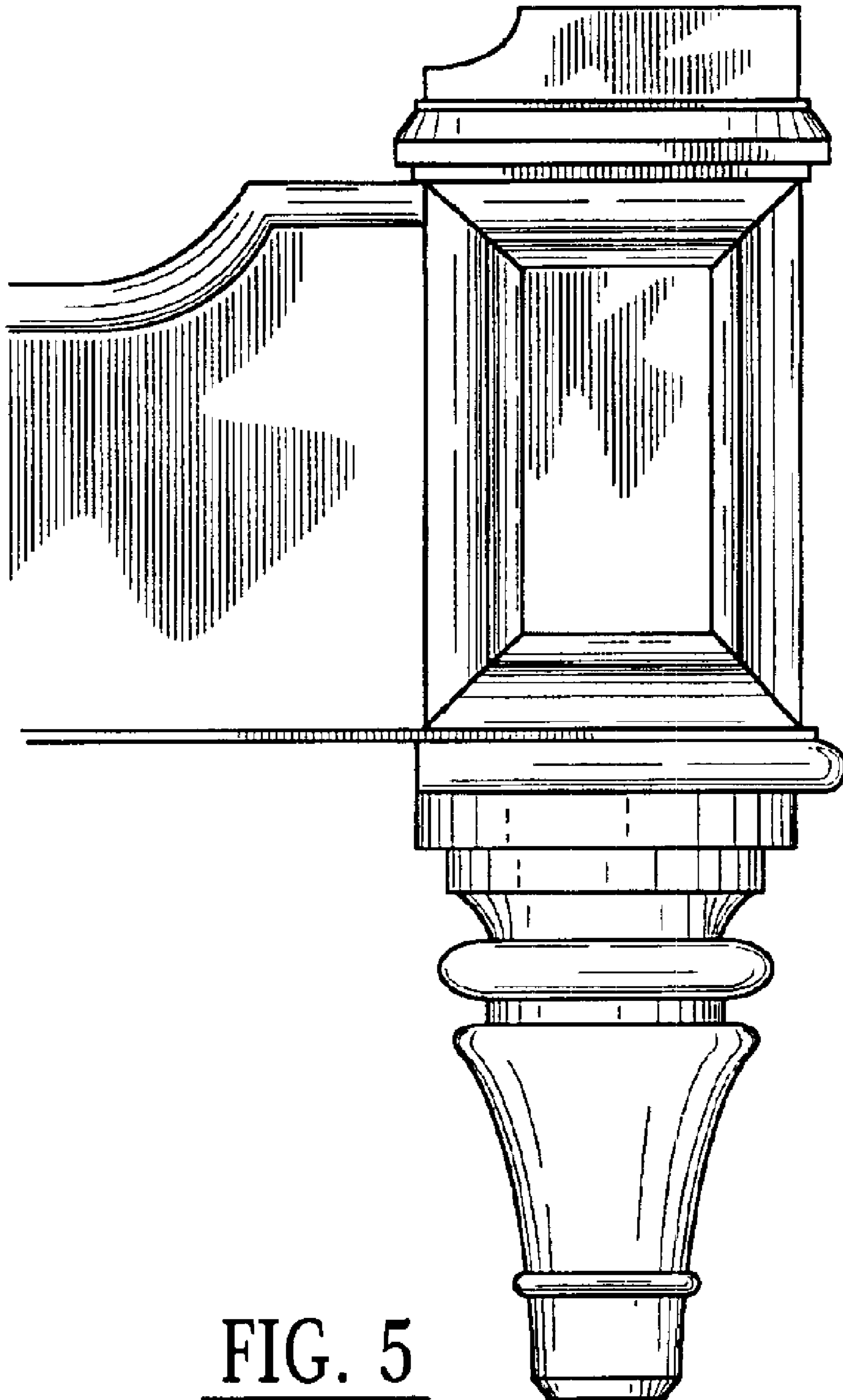
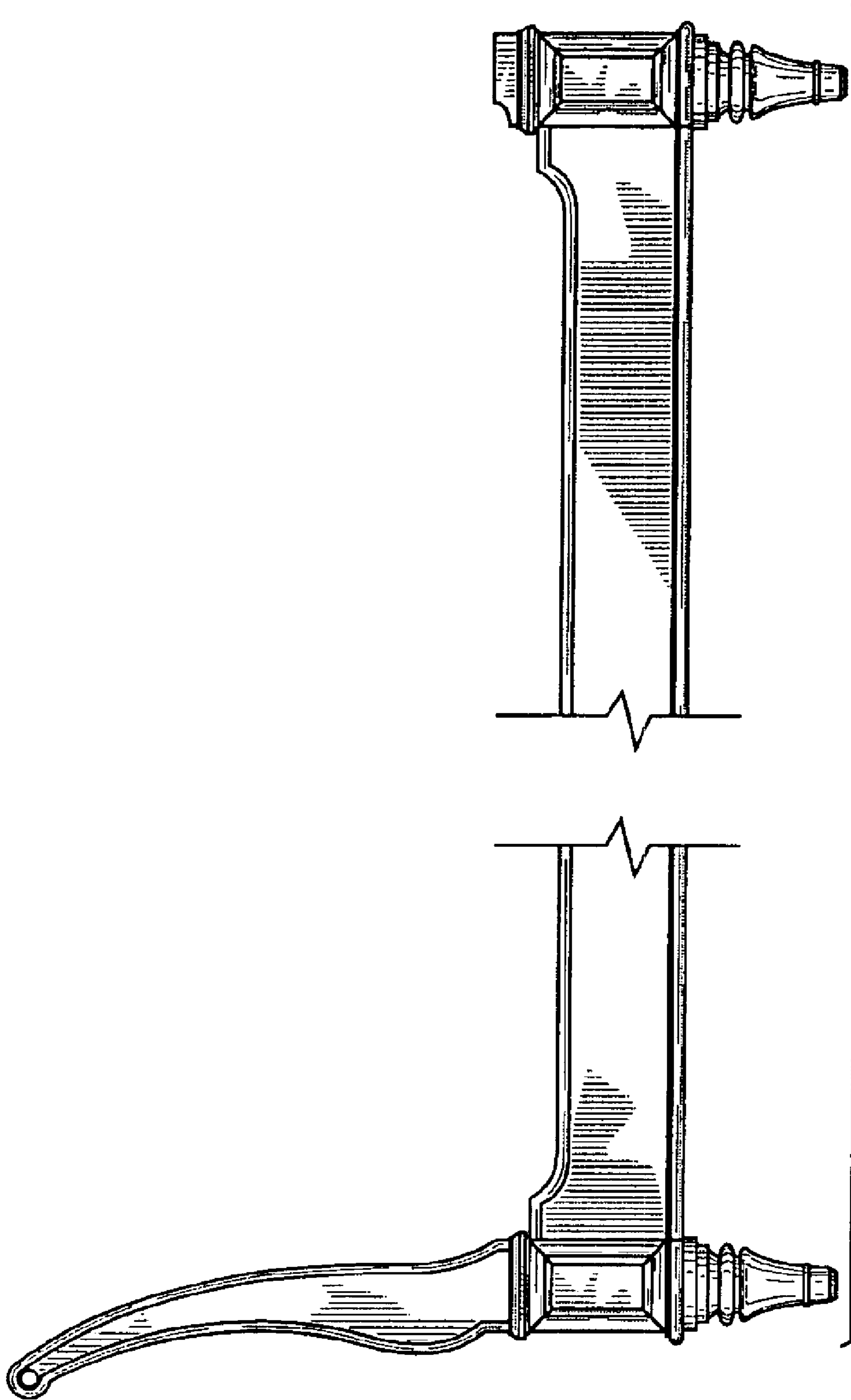


FIG. 4







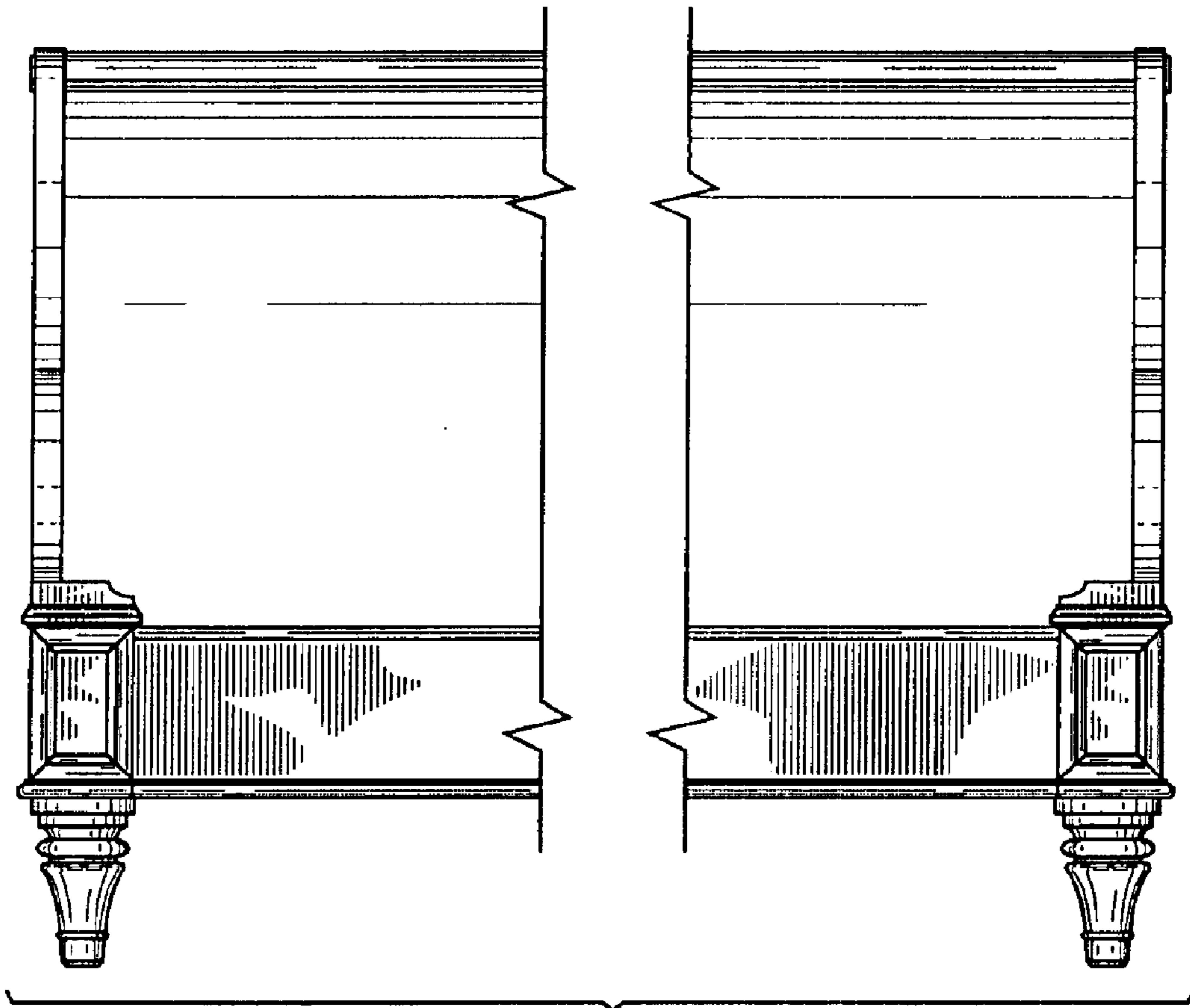


FIG. 7