

US00D503856S

(12) **United States Design Patent** (10) **Patent No.:** **US D503,856 S**
Roberts (45) **Date of Patent:** **** *Apr. 12, 2005**

(54) **LOVE SEAT**

(76) **Inventor:** **Victoria P. Roberts**, 3 Nelson Ave.,
Norwalk, CT (US) 06851

(*) **Notice:** This patent is subject to a terminal disclaimer.

(**) **Term:** **14 Years**

(21) **Appl. No.:** **29/188,388**

(22) **Filed:** **Aug. 18, 2003**

(51) **LOC (7) Cl.** **06-01**

(52) **U.S. Cl.** **D6/381**

(58) **Field of Search** D6/334, 369, 370,
D6/379, 380, 381, 500, 501, 502; 297/232

(56) **References Cited**

U.S. PATENT DOCUMENTS

D250,232 S	*	11/1978	Nash	D6/369
D261,079 S	*	10/1981	Collins	D6/381
D262,420 S	*	12/1981	Baxter	D6/381
D341,267 S	*	11/1993	Caldwell	D6/381
D431,930 S	*	10/2000	Culler	D6/381
D449,175 S	*	10/2001	Lin	D6/369

* cited by examiner

Primary Examiner—Gary D. Watson

(74) *Attorney, Agent, or Firm*—William J. Sapone;
Coleman Sudol Sapone, P.C.

(57) **CLAIM**

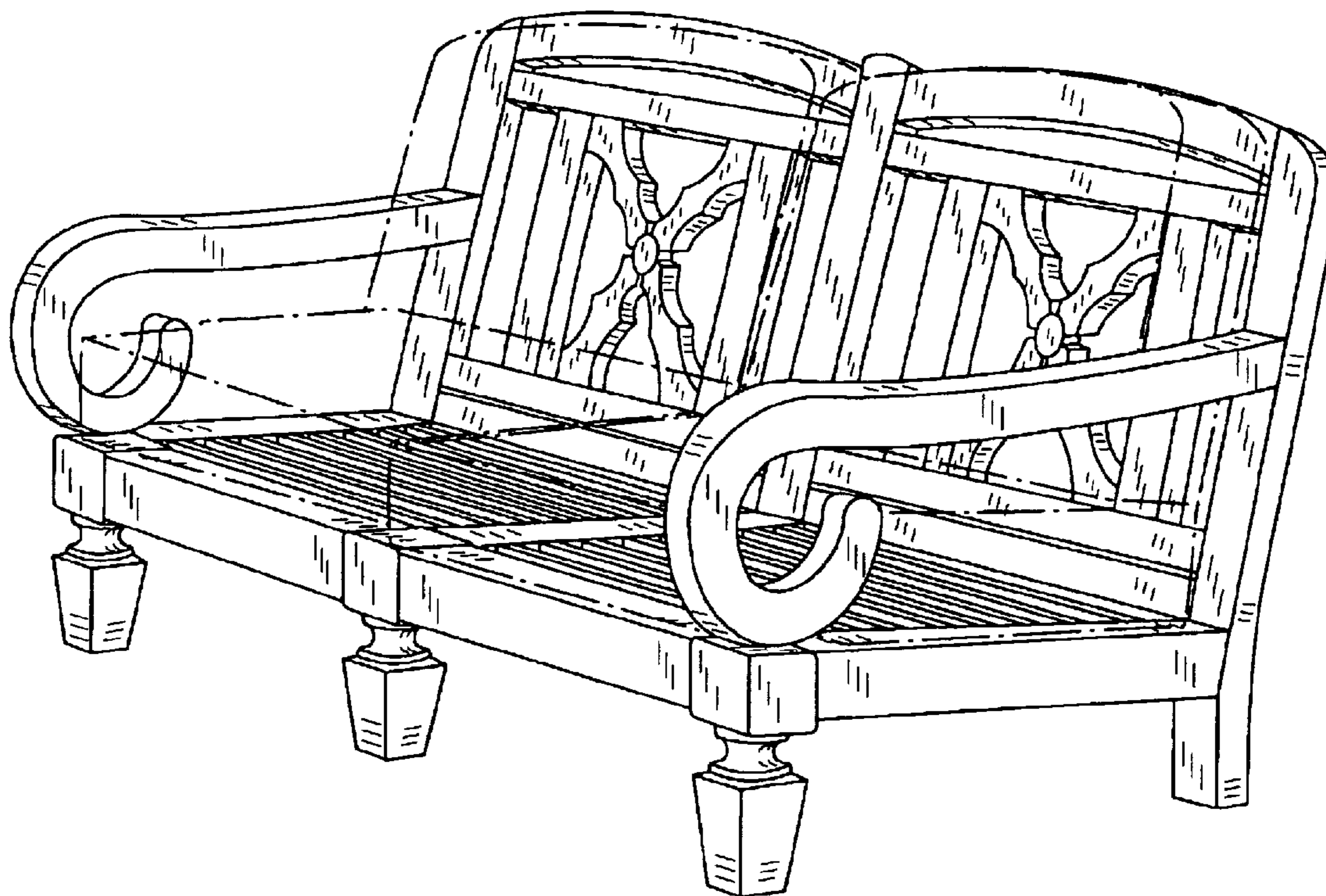
The ornamental design for a love seat, as shown and described.

DESCRIPTION

FIG. 1 is a front perspective view of the love seat showing my new design;
 FIG. 2 is a left side view thereof, the right side view being a mirror image thereof;
 FIG. 3 is a front view of the top thereof;
 FIG. 4 is a back view of the top thereof;
 FIG. 5 is a front view of the bottom thereof;
 FIG. 6 is a bottom view thereof of the bottom thereof;
 FIG. 7 is a front perspective view of an alternate embodiment of the love seat showing my new design;
 FIG. 8 is a side view of the alternate embodiment thereof;
 FIG. 9 is a front view of the alternate embodiment thereof;
 FIG. 10 is a back view of the alternate embodiment thereof;
 FIG. 11 is a top view of the alternate embodiment thereof;
 and,
 FIG. 12 is a bottom view of the alternate embodiment thereof.

The broken lines showing cushions are for illustrative purposes only and form no part of the claimed design.

1 Claim, 8 Drawing Sheets



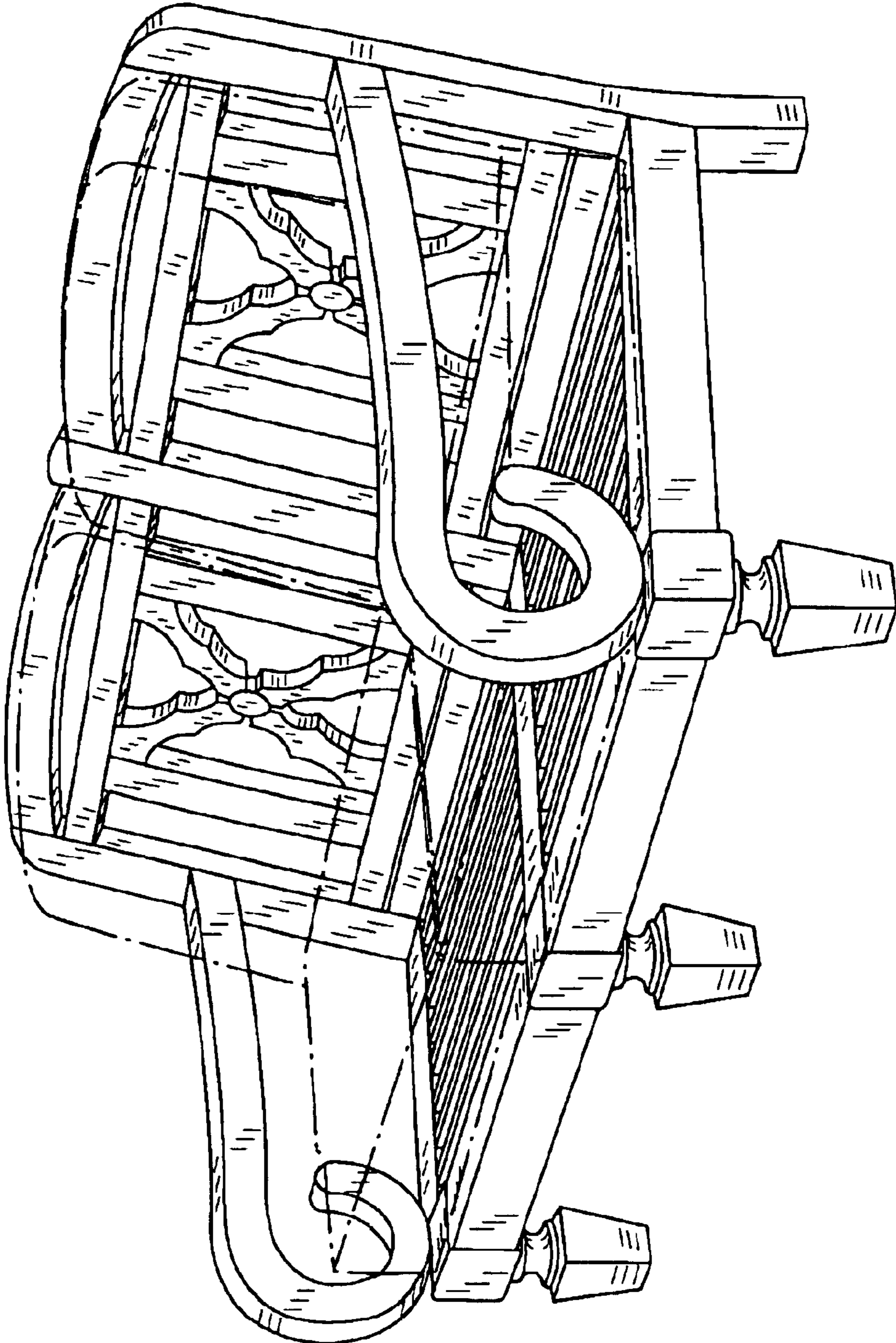


FIG. 1

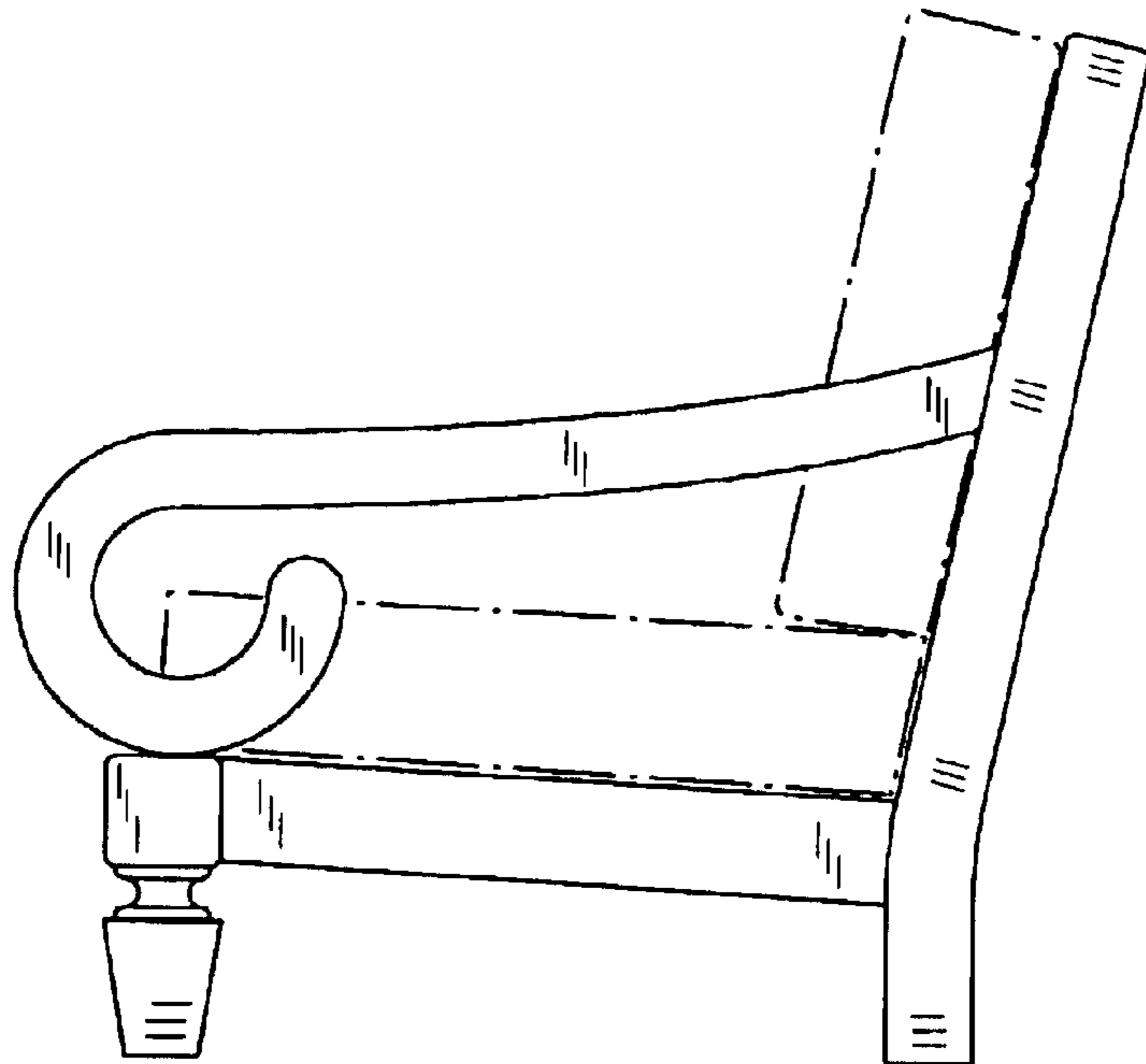


FIG. 2

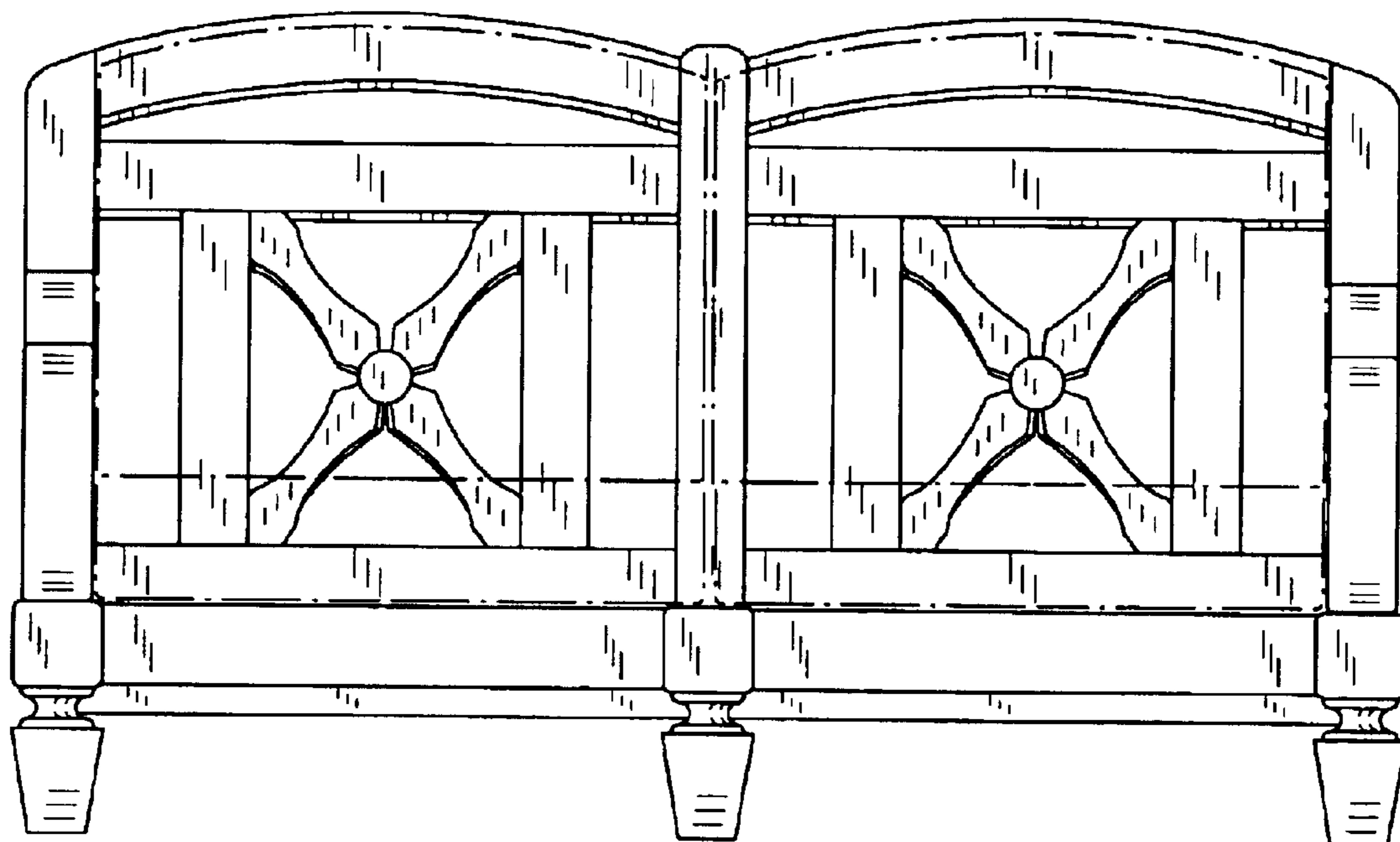


FIG. 3

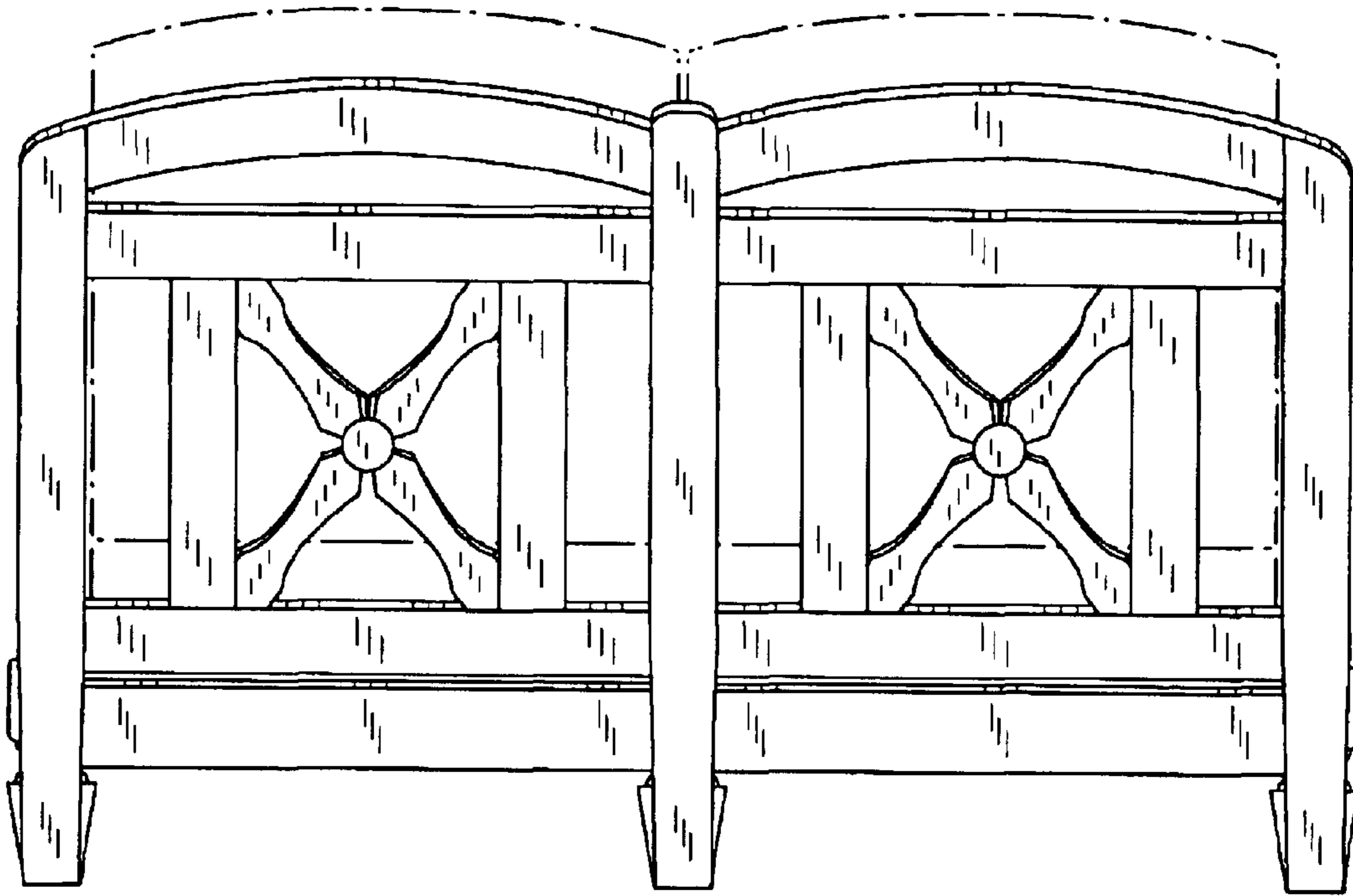


FIG. 4

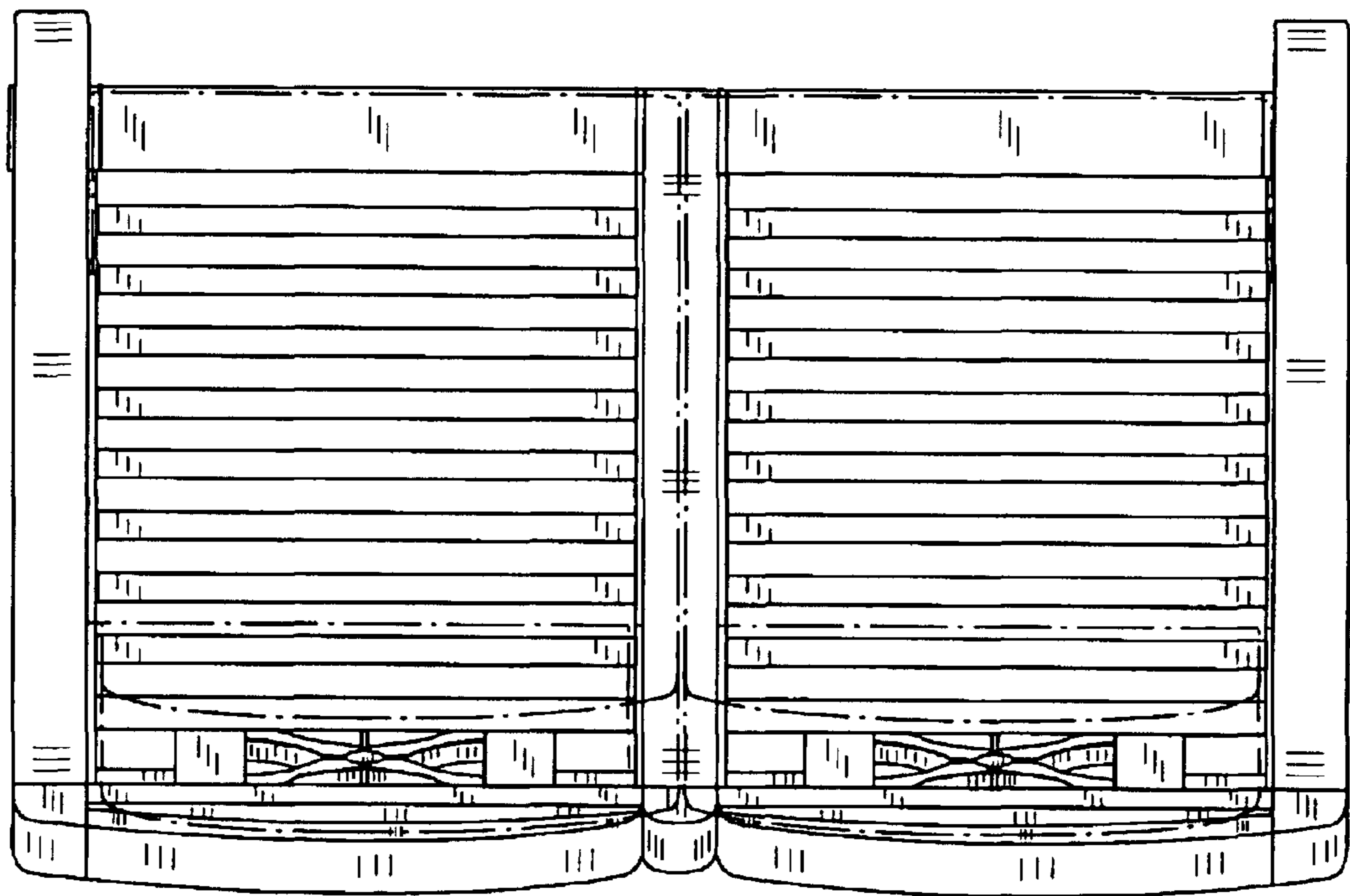


FIG. 5

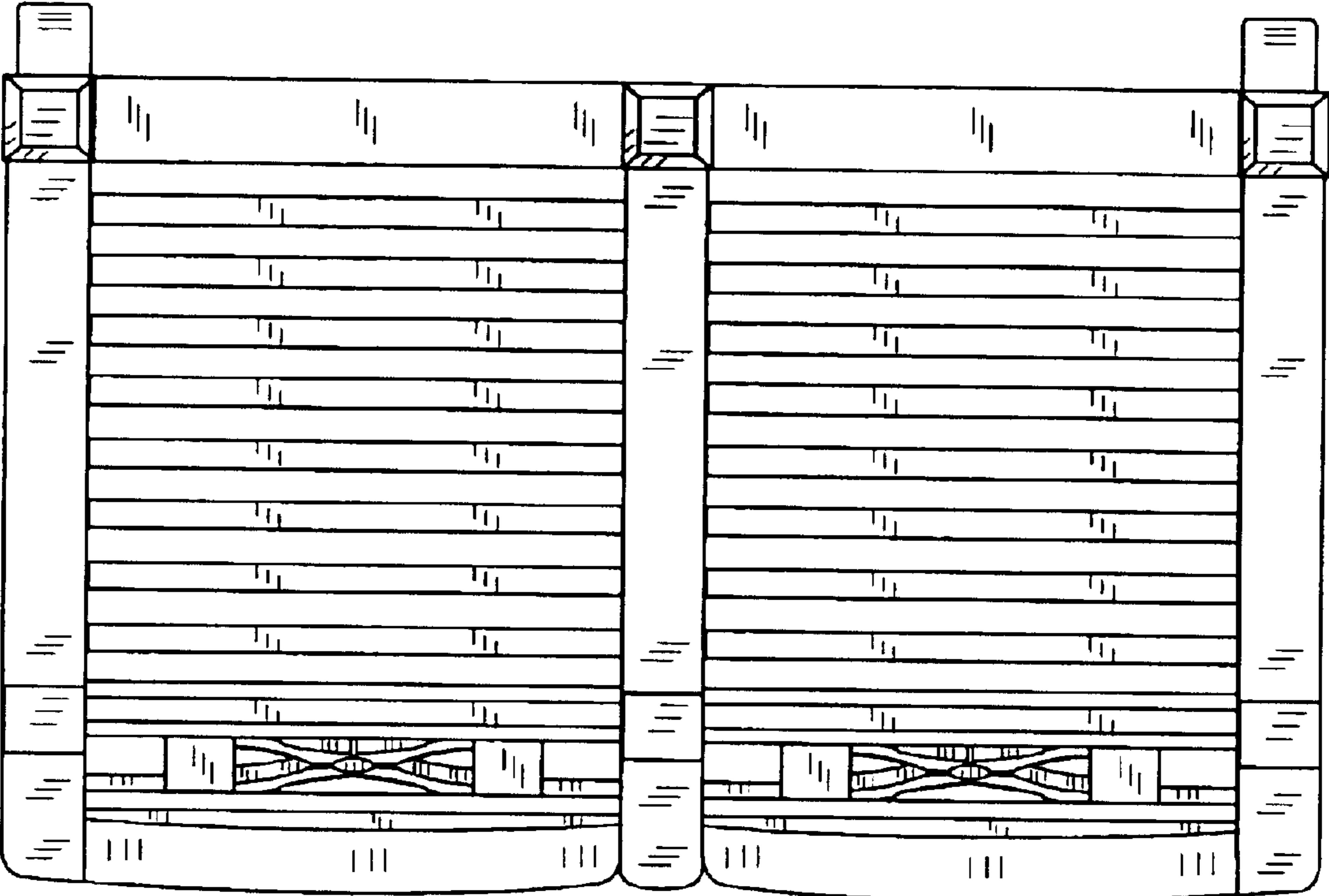


FIG. 6

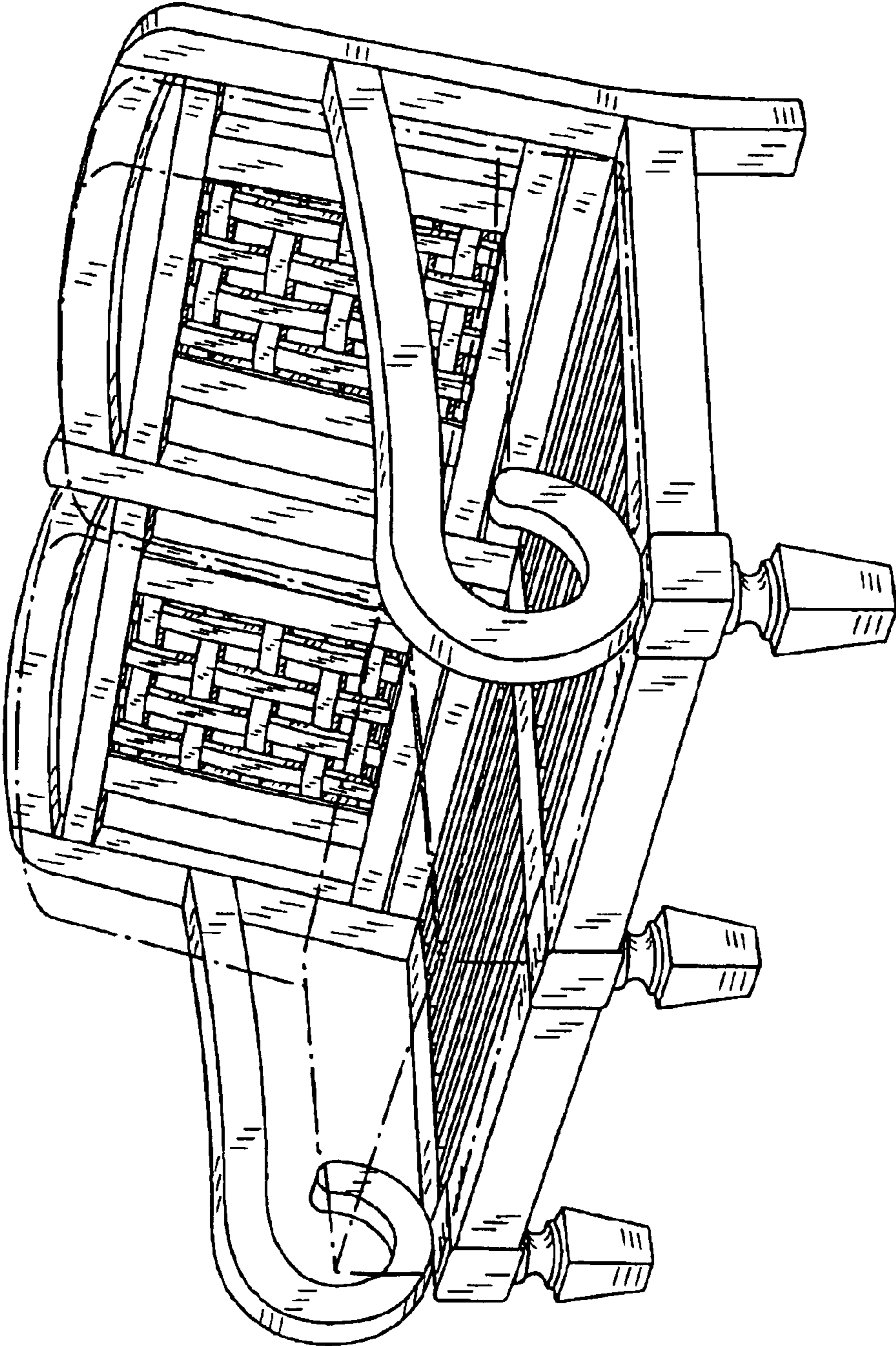


FIG. 7

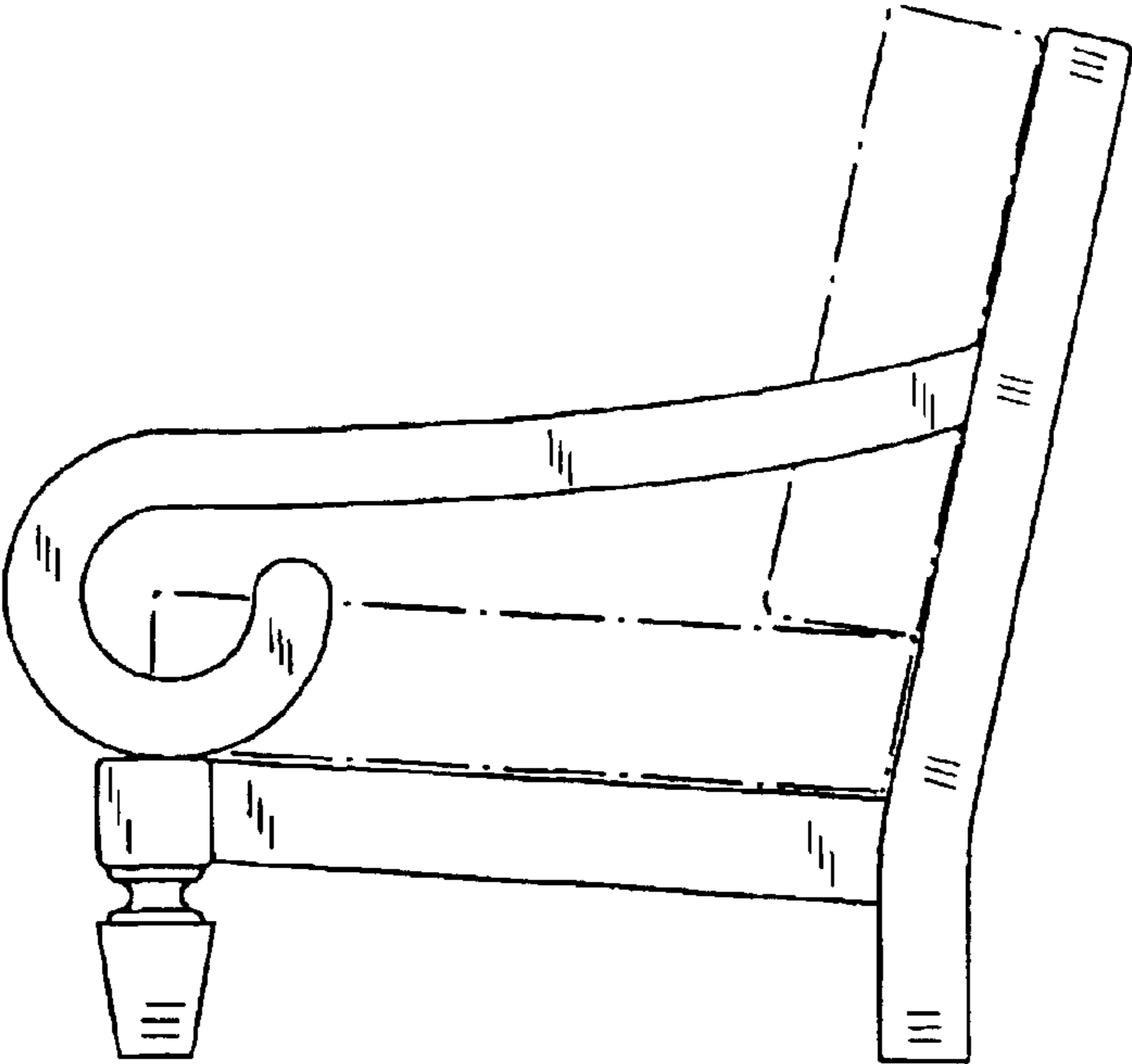


FIG. 8

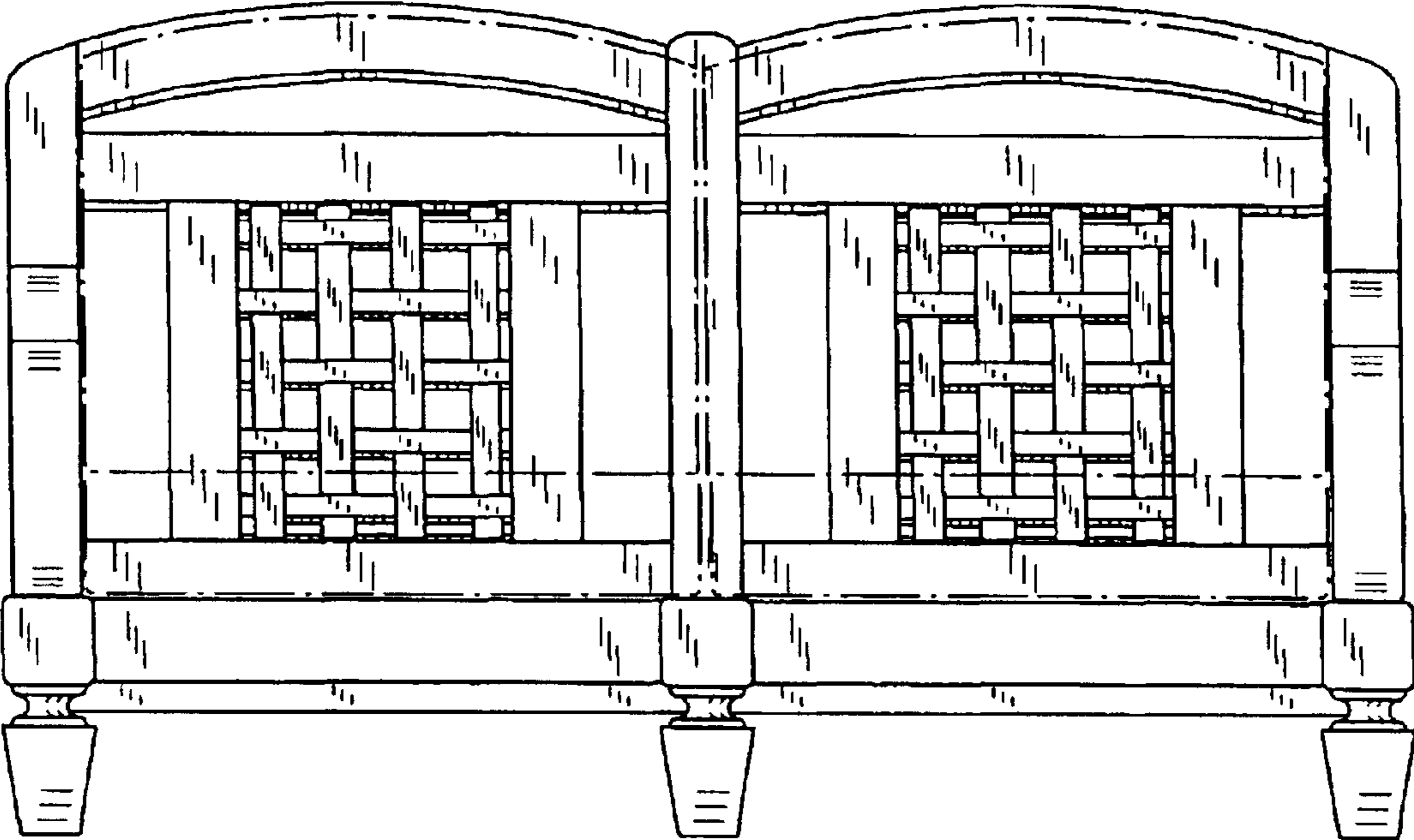


FIG. 9

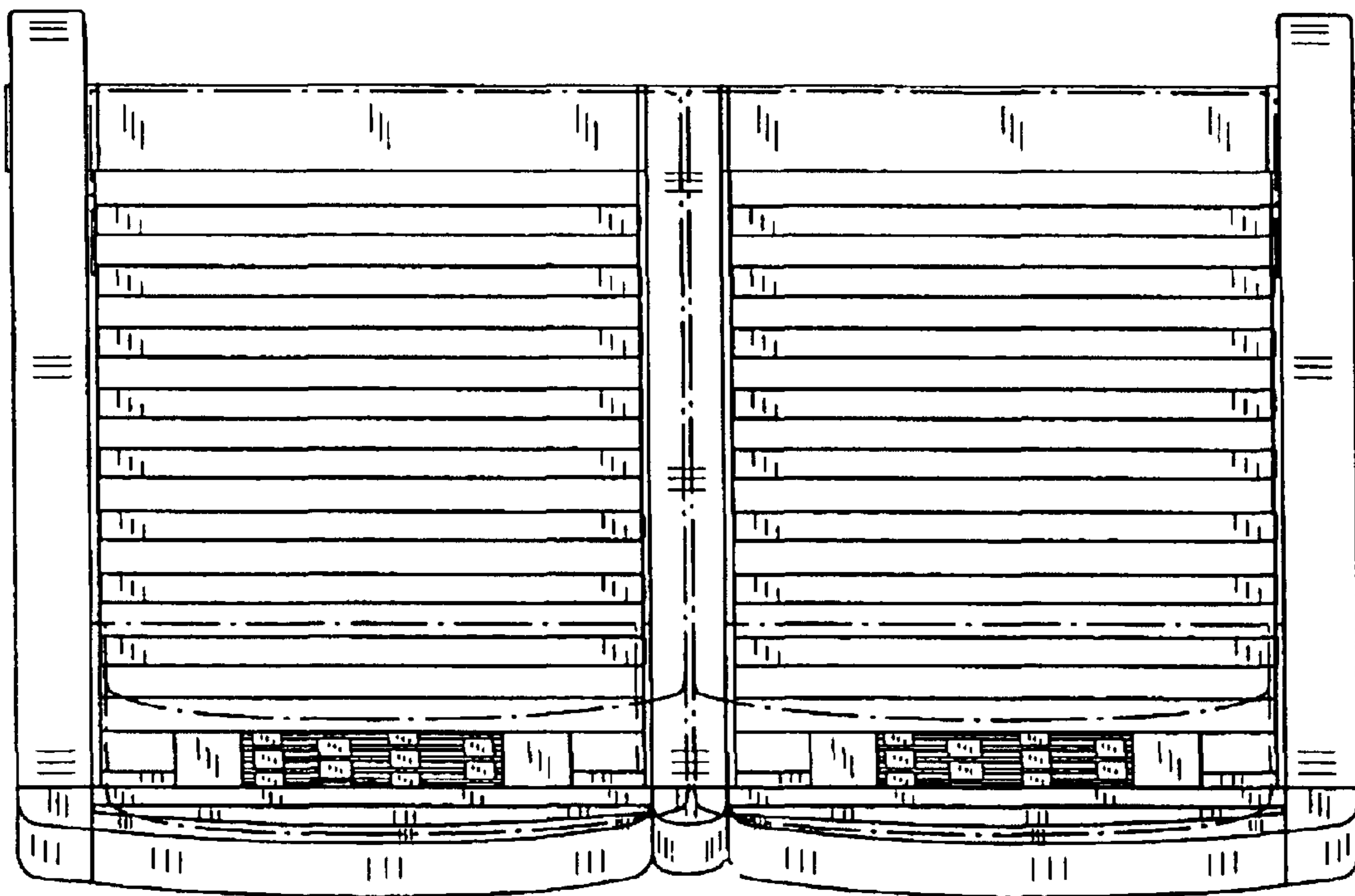
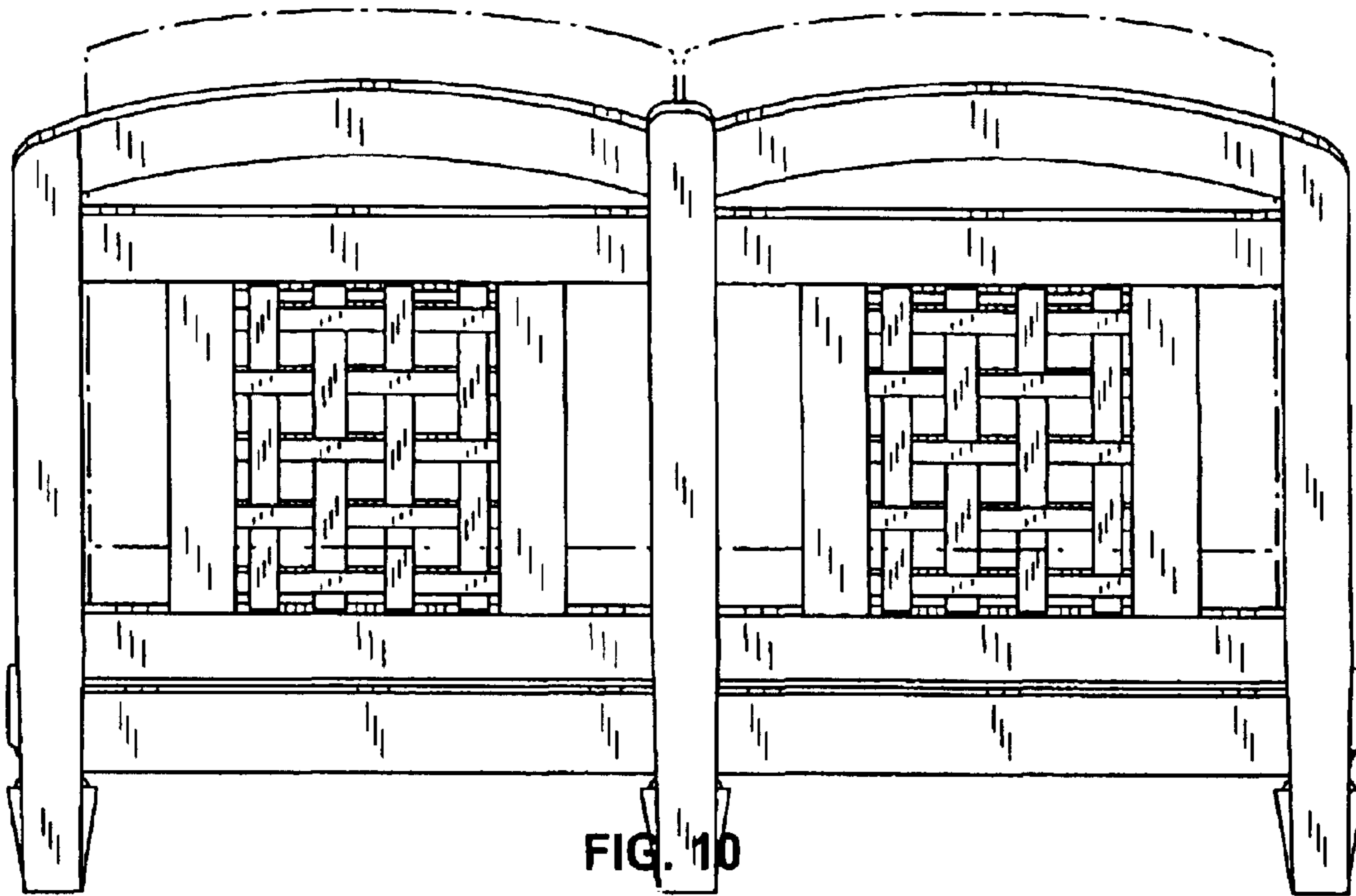


FIG. 11

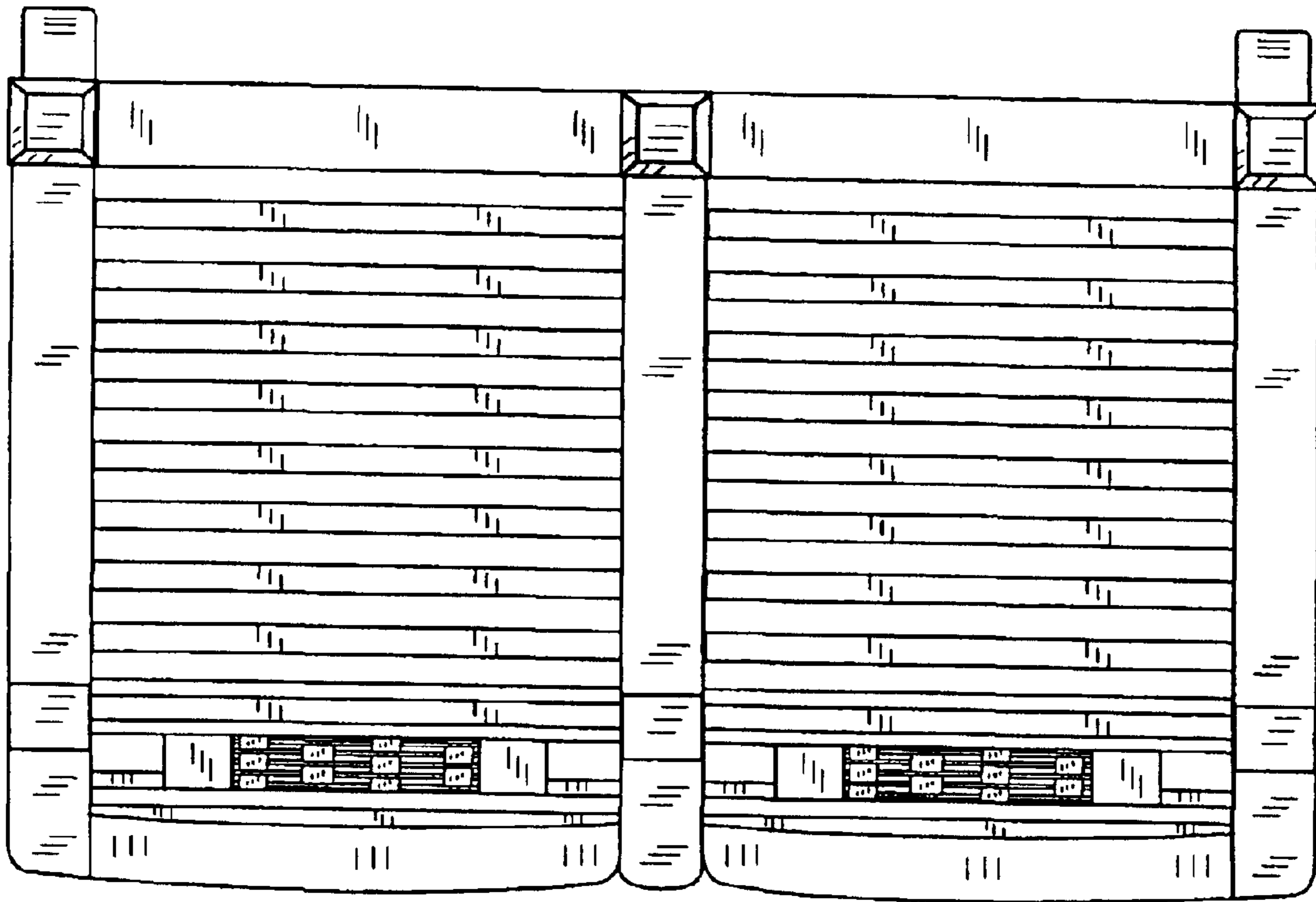


FIG. 12