

US00D503851S

(12) **United States Design Patent**
Landow

(10) **Patent No.: US D503,851 S**
(45) **Date of Patent: ** Apr. 12, 2005**

- (54) **MINT DISPENSER KEY RING**
- (76) **Inventor: Brian Landow**, 115 Commerce Dr.,
Hauppauge, NY (US) 11788
- (**) **Term: 14 Years**
- (21) **Appl. No.: 29/199,310**
- (22) **Filed: Feb. 13, 2004**
- (51) **LOC (7) Cl. 03-01**
- (52) **U.S. Cl. D3/212**
- (58) **Field of Search** D3/207-212; 206/37.1,
206/38.1; 150/147; 70/456 R, 456 B, 458,
459; D9/224, 730; D7/629, 590, 601

- D391,810 S 3/1998 Cooper
- D398,773 S 9/1998 Huang
- D419,289 S 1/2000 Edwards
- D448,157 S 9/2001 Wright
- D456,600 S 5/2002 Gadson
- D461,047 S 8/2002 Peterson
- D474,017 S * 5/2003 Burns D3/226
- 6,594,154 B1 7/2003 Brewer et al.
- D479,395 S 9/2003 Westrich et al.
- D496,271 S * 9/2004 Hoeltgen D9/424

* cited by examiner

Primary Examiner—Ralf Seifert
(74) *Attorney, Agent, or Firm*—Shoemaker and Mattare

(57) **CLAIM**

The ornamental design for a mint dispenser key ring, as shown and described.

(56) **References Cited**

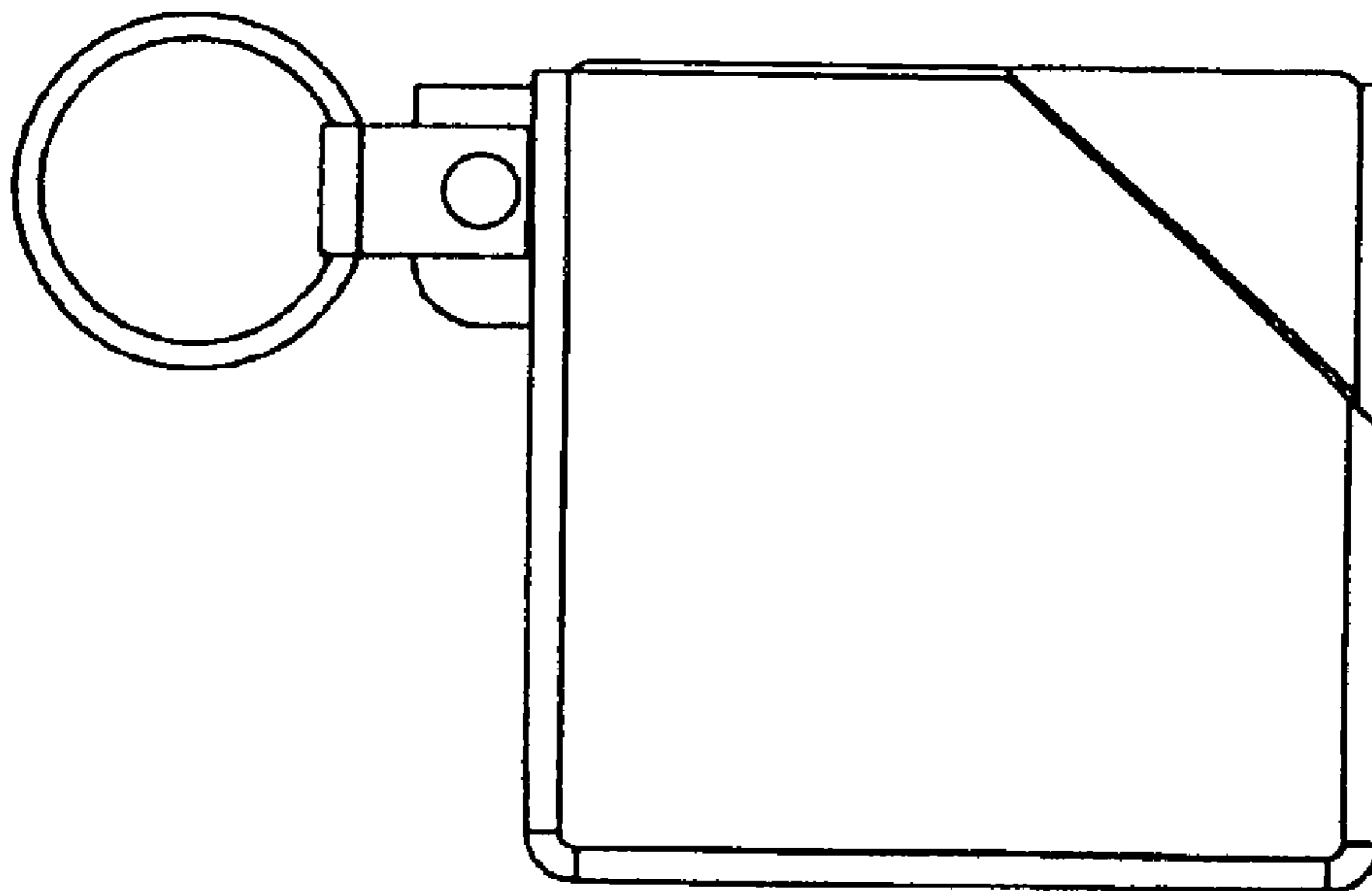
U.S. PATENT DOCUMENTS

- 2,628,712 A 2/1953 Ford
- D247,395 S * 2/1978 Earl D3/208
- 4,907,694 A 3/1990 Miller et al.
- D308,757 S * 6/1990 Sanford D3/208
- 4,934,528 A 6/1990 Miller et al.
- 5,020,255 A 6/1991 Rodel
- D329,136 S 9/1992 Sanchez
- D332,007 S 12/1992 McAullay
- D344,627 S 3/1994 Hochman
- D352,600 S 11/1994 Steeley
- 5,467,871 A 11/1995 DeField
- D369,464 S 5/1996 Williams et al.
- D370,119 S 5/1996 McDaniel
- D371,723 S 7/1996 Hirao

DESCRIPTION

FIG. 1 is a front elevation of a mint dispenser key ring, showing my new design;
FIG. 2 is a top plan view thereof;
FIG. 3 is a right elevation thereof;
FIG. 4 is a bottom plan view thereof;
FIG. 5 is a left elevation thereof;
FIG. 6 is an isometric view thereof, showing the dispenser closed; and,
FIG. 7 is an isometric view thereof, showing the dispenser open.

1 Claim, 2 Drawing Sheets



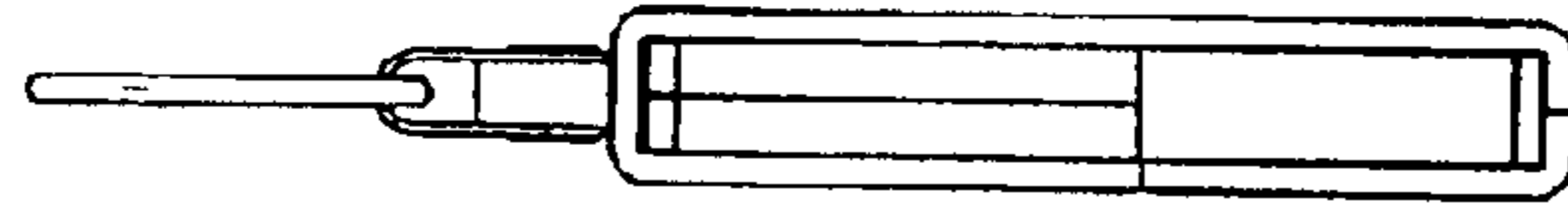


Fig. 2



Fig. 5

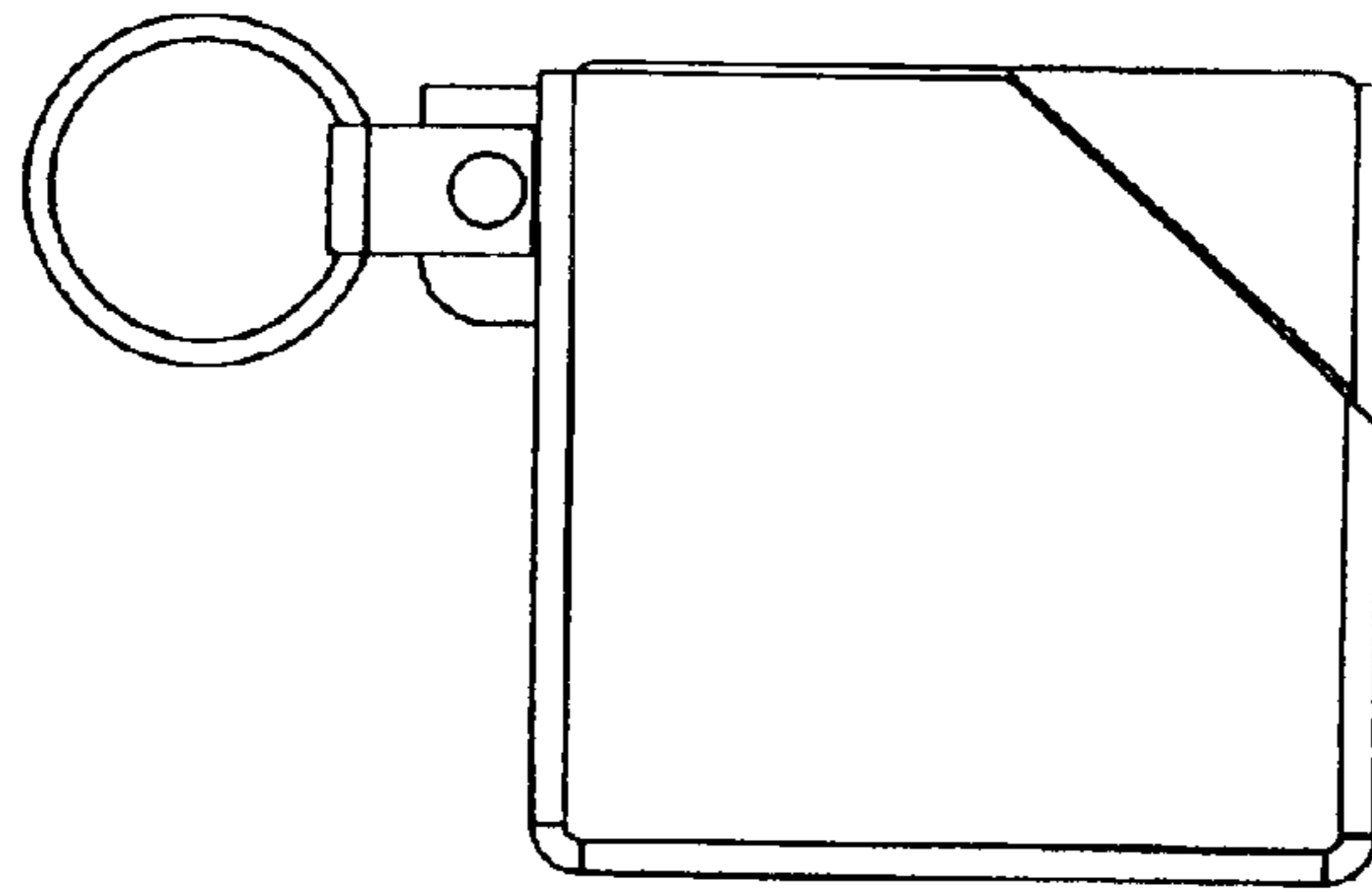


Fig. 1

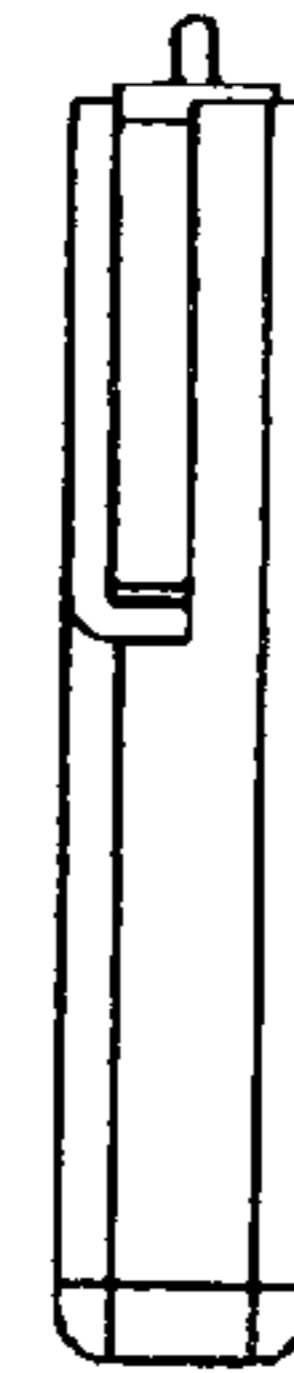


Fig. 3

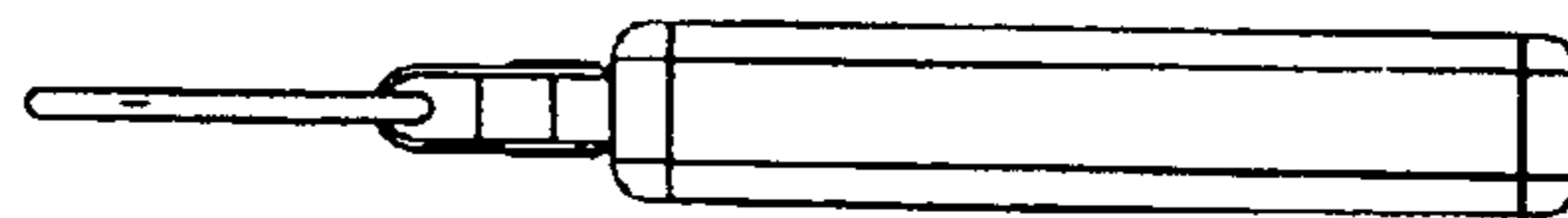


Fig. 4

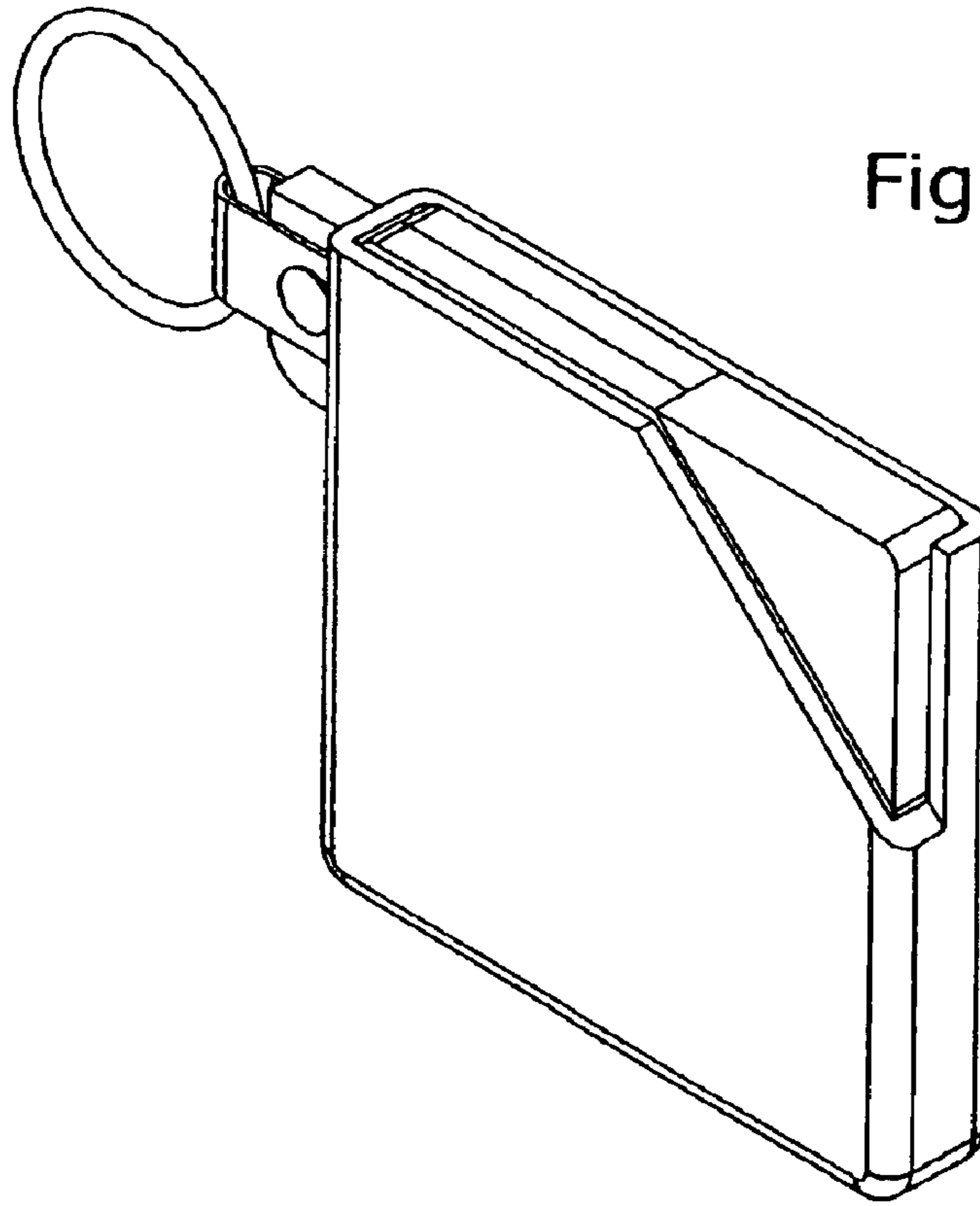


Fig. 6

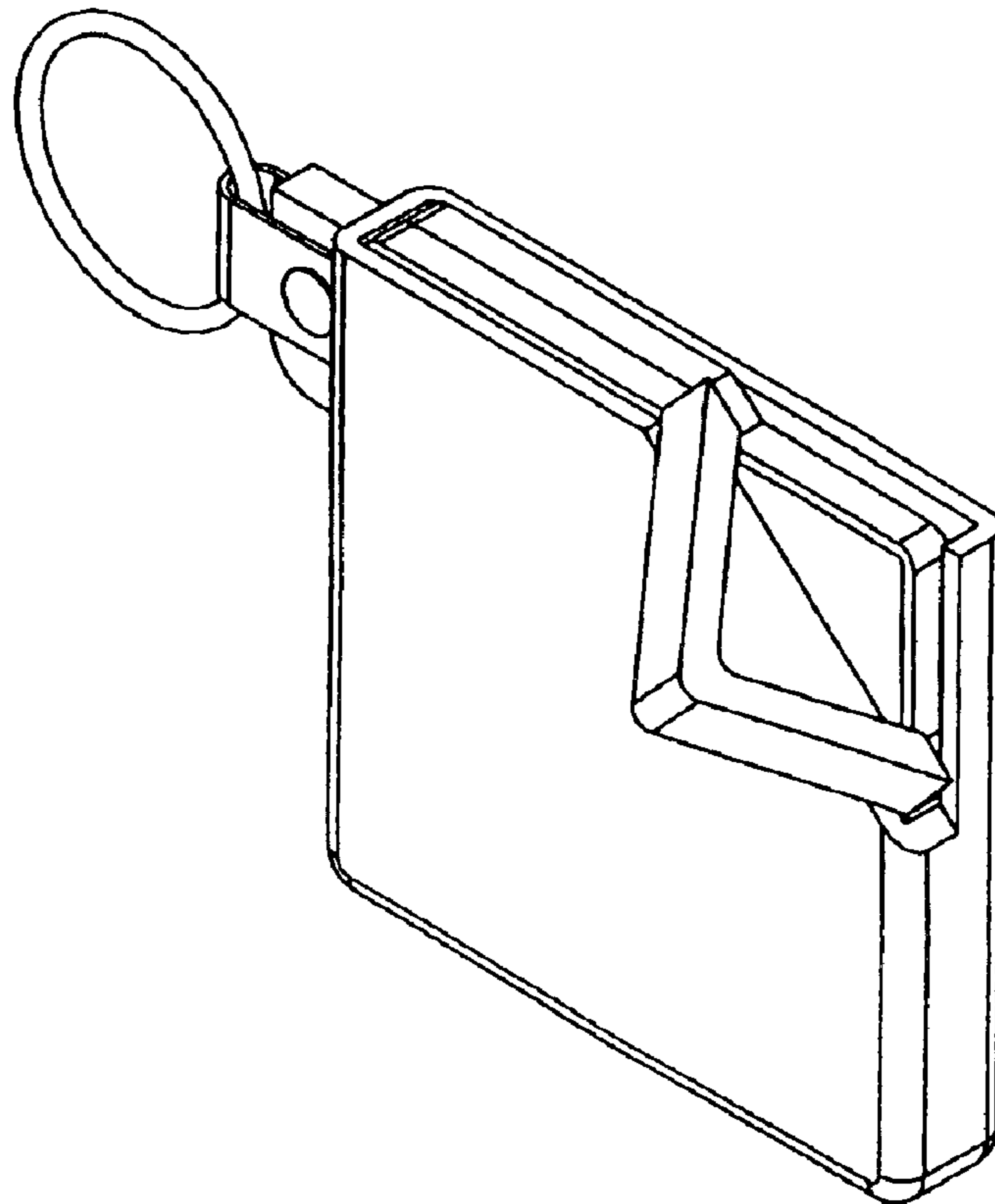


Fig. 7