

US00D503845S

(12) **United States Design Patent** (10) **Patent No.:** **US D503,845 S**
Taylor et al. (45) **Date of Patent:** **** Apr. 5, 2005**

(54) **PORTIONS OF A POST FOR SUPPORTING MAIL BOXES**

(75) Inventors: **Curtis P. Taylor**, Moreland Hills, OH (US); **Stephen E. Mika**, Shaker Heights, OH (US)

(73) Assignee: **Florence Corporation**, Glendale Heights, IL (US)

(**) Term: **14 Years**

(21) Appl. No.: **29/185,748**

(22) Filed: **Jul. 2, 2003**

(51) **LOC (7) Cl.** **99-00**

(52) **U.S. Cl.** **D99/32**

(58) **Field of Search** D99/29, 30, 32, D99/33, 43; 232/17, 32, 35, 39, 38

(56) **References Cited**

U.S. PATENT DOCUMENTS

3,243,104 A	3/1966	Fillion	
4,114,800 A	9/1978	Hodge	
4,181,250 A	1/1980	Withrow	
D263,514 S	3/1982	Paparella	
D313,106 S	12/1990	Hoffman et al.	
D322,877 S	12/1991	Roach	
D354,612 S	1/1995	Worden	
D362,533 S	9/1995	Worden	
5,465,902 A	11/1995	Hanson	
5,664,729 A	9/1997	Ladewig	
D385,681 S	10/1997	Worden	
D413,704 S	* 9/1999	Metcheat, III D99/32

OTHER PUBLICATIONS

Auth-Florence Manufacturing, Glendale Heights, IL 60139, "Commercial & Residential Mailbox Products," 28 Page Catalog, Jun., 2003.

Auth-Florence Manufacturing, Glendale Heights, IL 60139, "Residential Units," 2 Page Brochure, Apr. 2002.

Auth-Florence Manufacturing, Glendale Heights, IL 60139, "Parcel Lockers," 2 Page Brochure, Apr. 2002.

Auth-Florence Manufacturing, Glendale Heights, IL 60139, "Cluster Box Units," 2 Page Brochure, Mar., 2003.

* cited by examiner

Primary Examiner—Paula A. Greene

(74) *Attorney, Agent, or Firm*—David A. Burge

(57) **CLAIM**

We claim the ornamental design for portions of a post for supporting mail boxes, as shown and described.

DESCRIPTION

FIG. 1 is a perspective view showing front and right side portions of our new design;

FIG. 2 is a front elevational view thereof;

FIG. 3 is a right side view thereof;

FIG. 4 is a rear elevational view thereof;

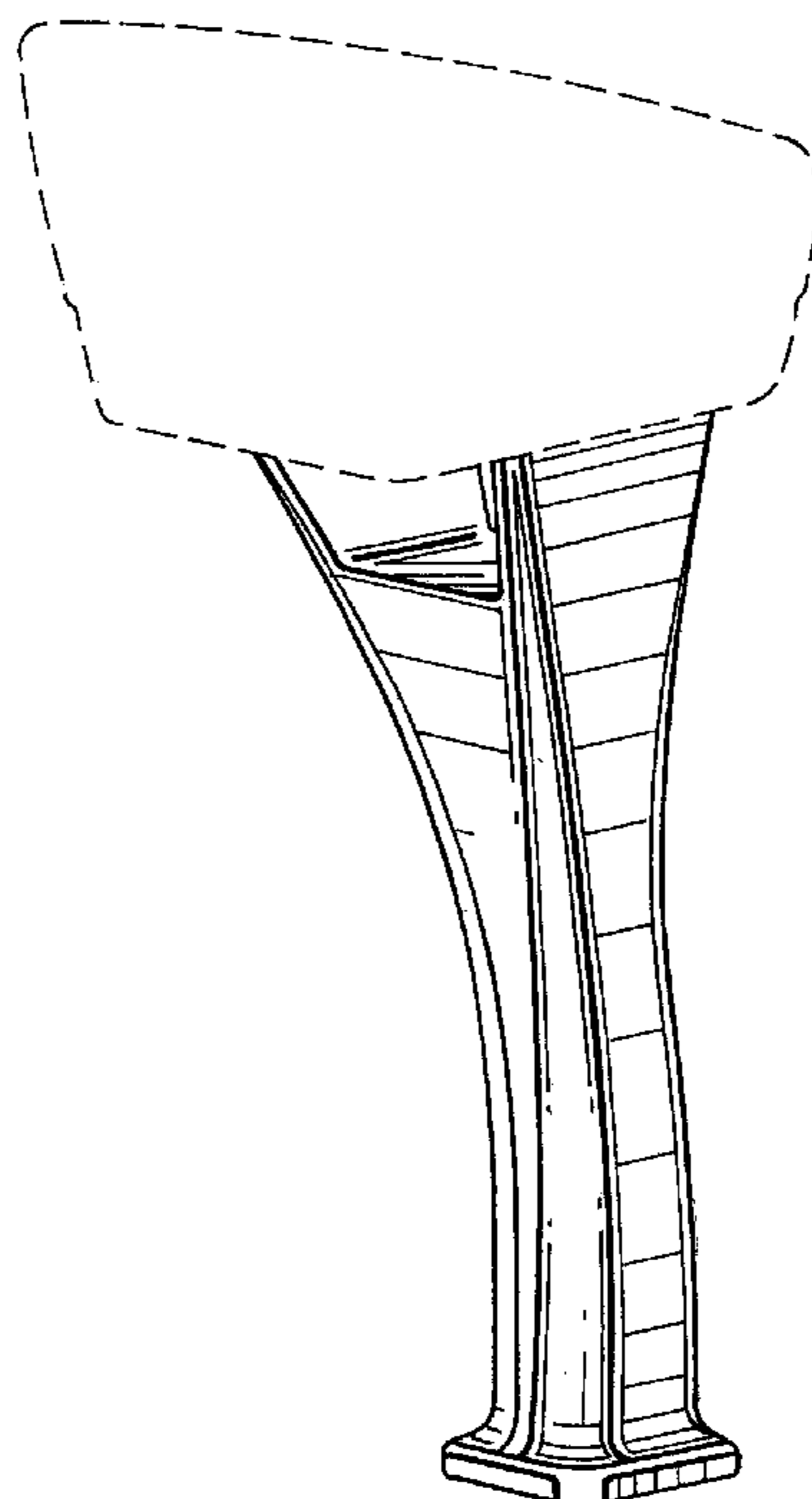
FIG. 5 is a left side view thereof;

FIG. 6 is a top plan view thereof; and,

FIG. 7 is a bottom plan view thereof.

The broken-line disclosure found in several of the drawing views is provided for illustrative purposes only and forms no part of the claimed design.

1 Claim, 4 Drawing Sheets



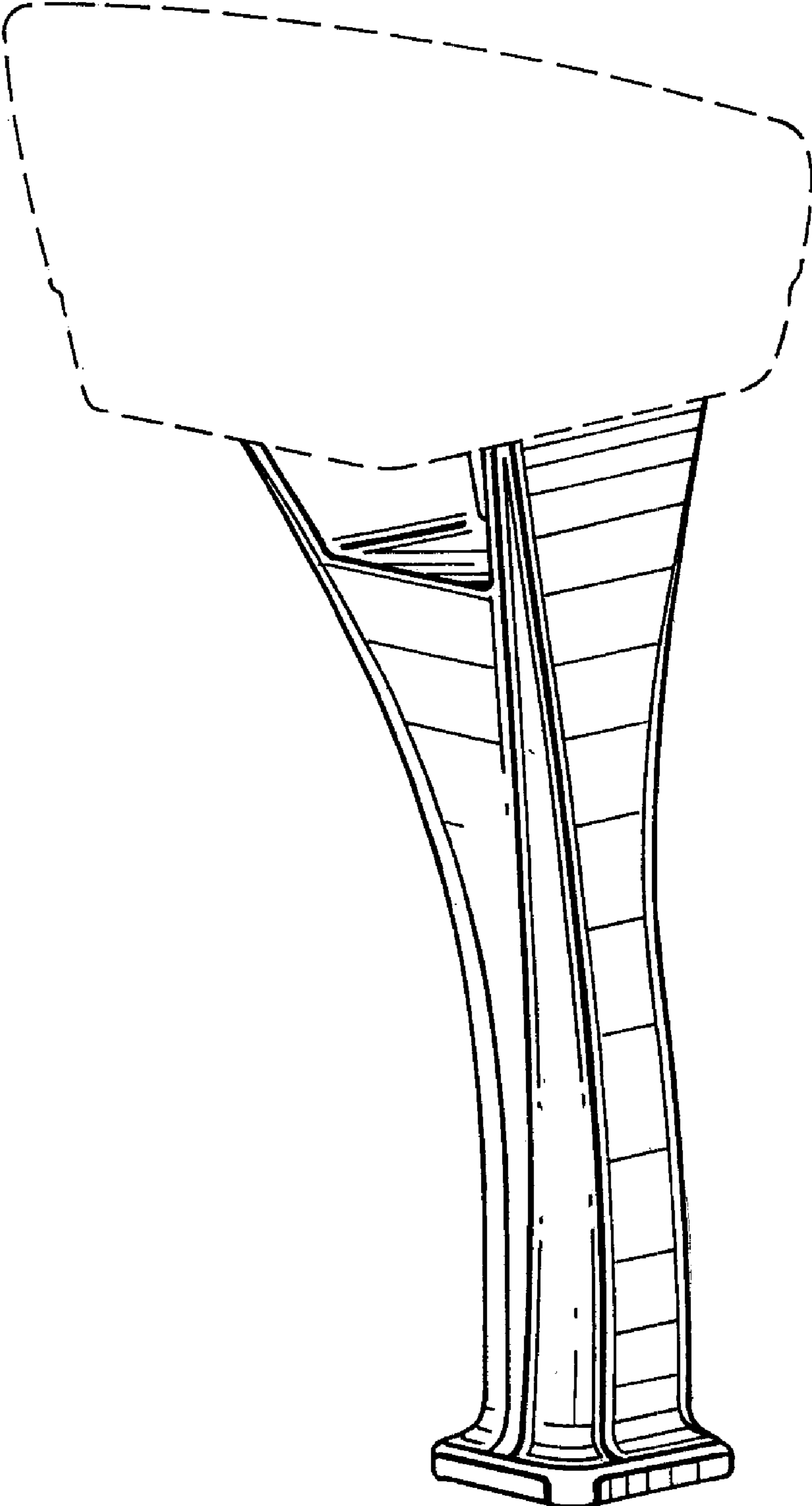


FIG. 1

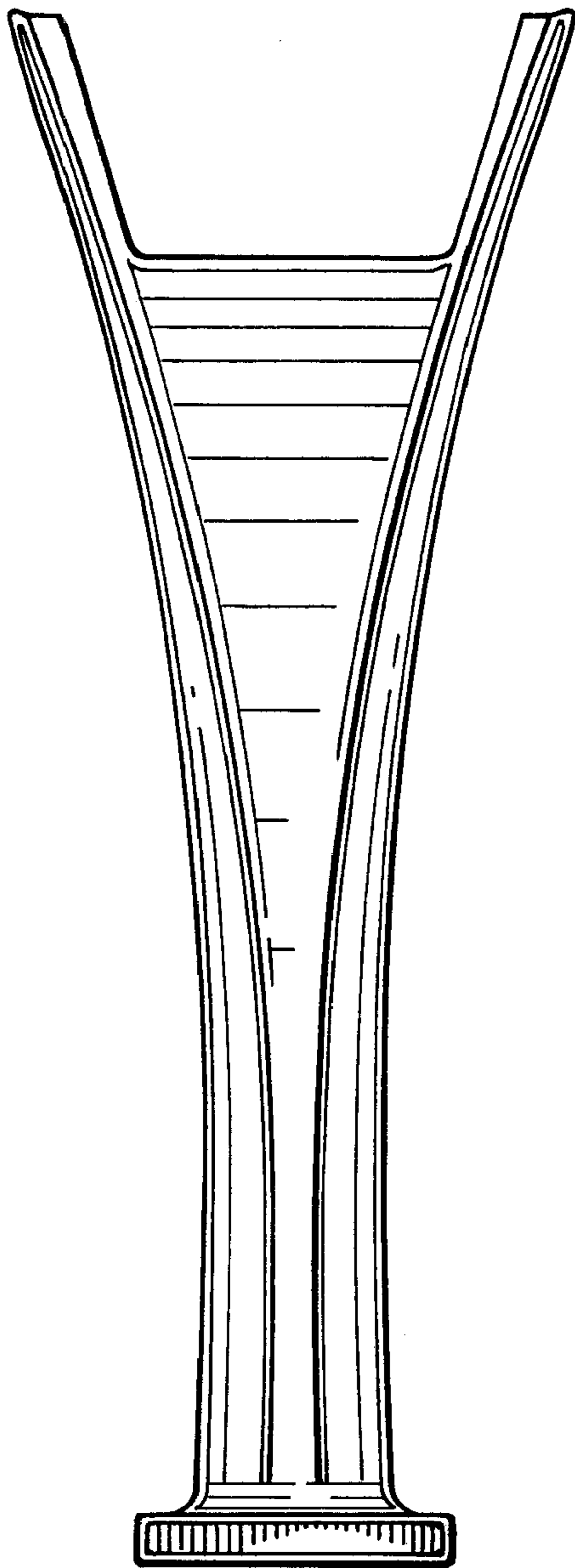


FIG. 2

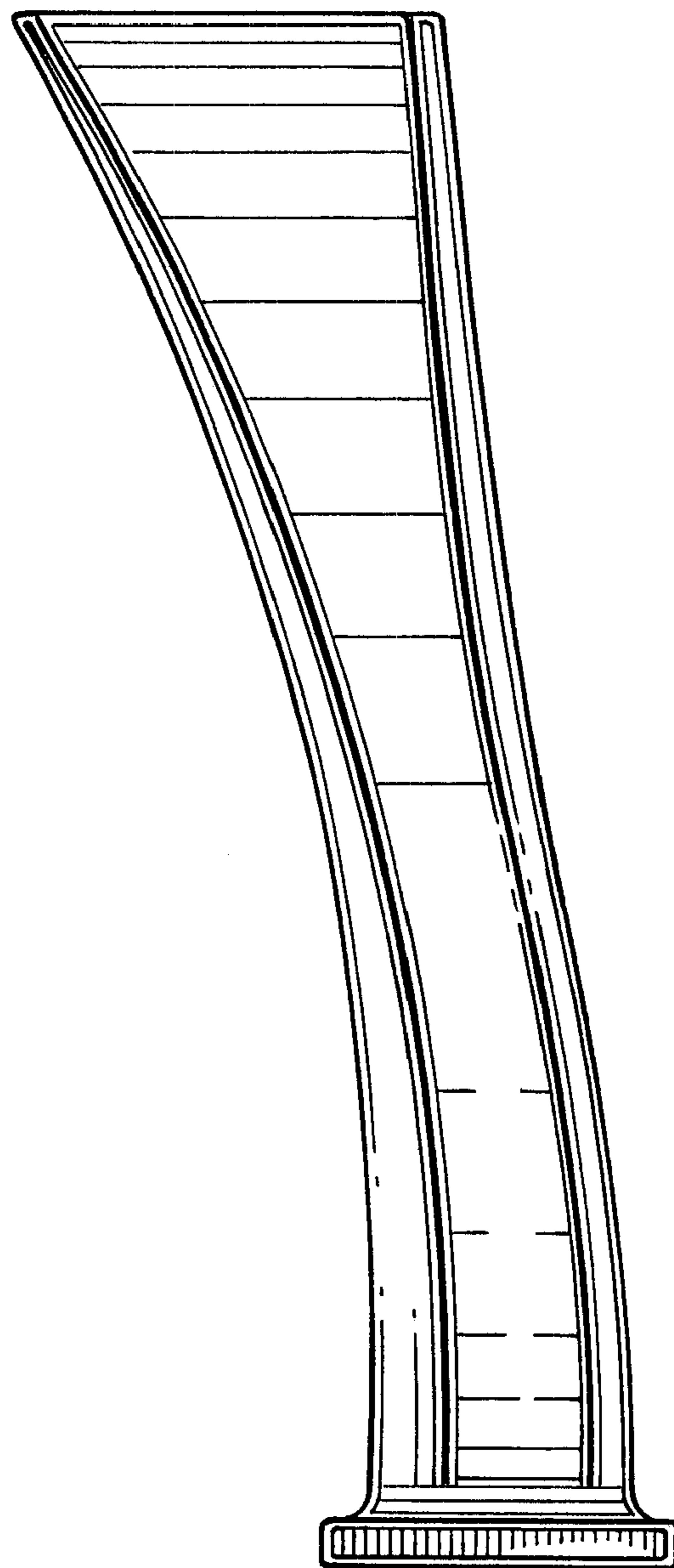


FIG. 3

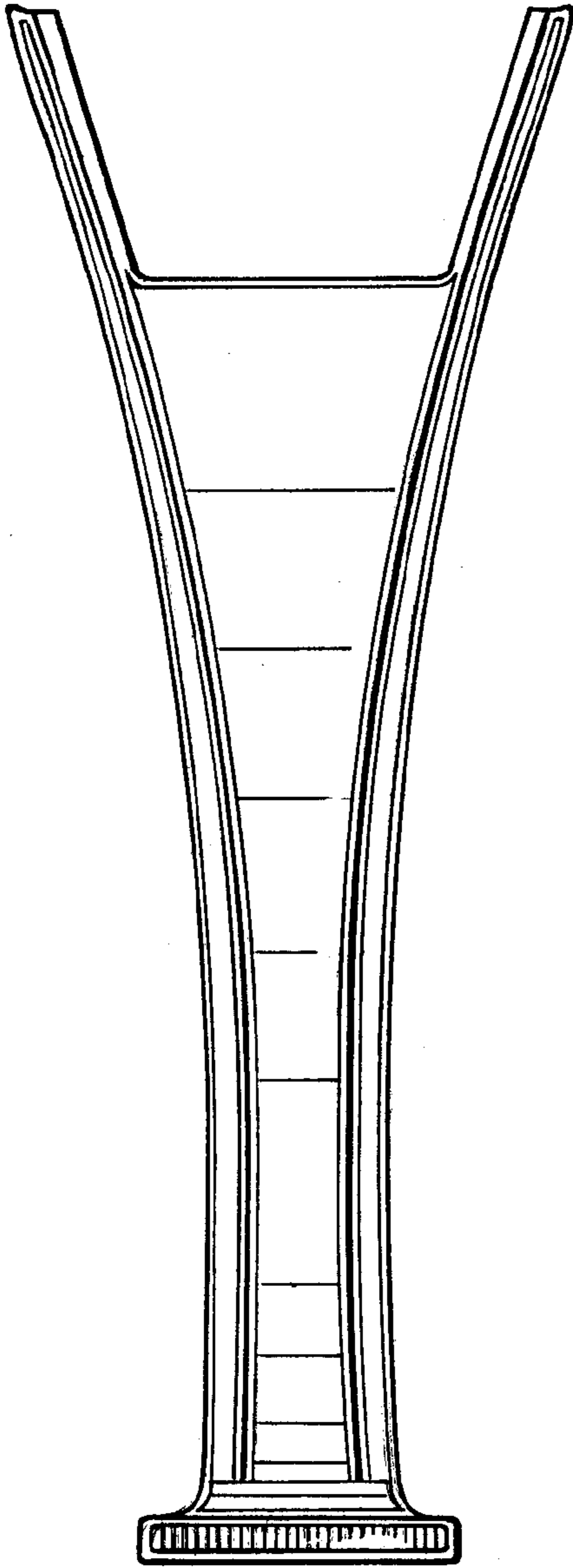


FIG. 4

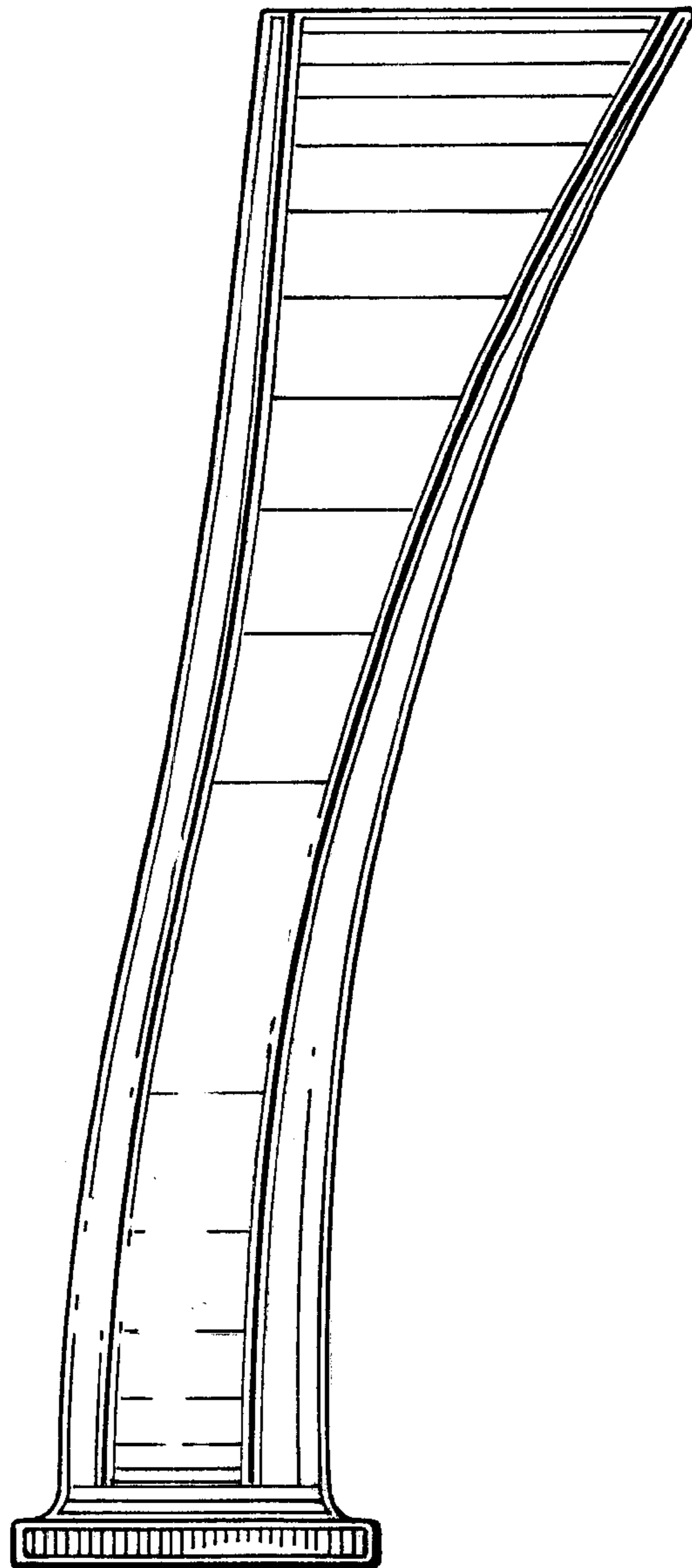


FIG. 5

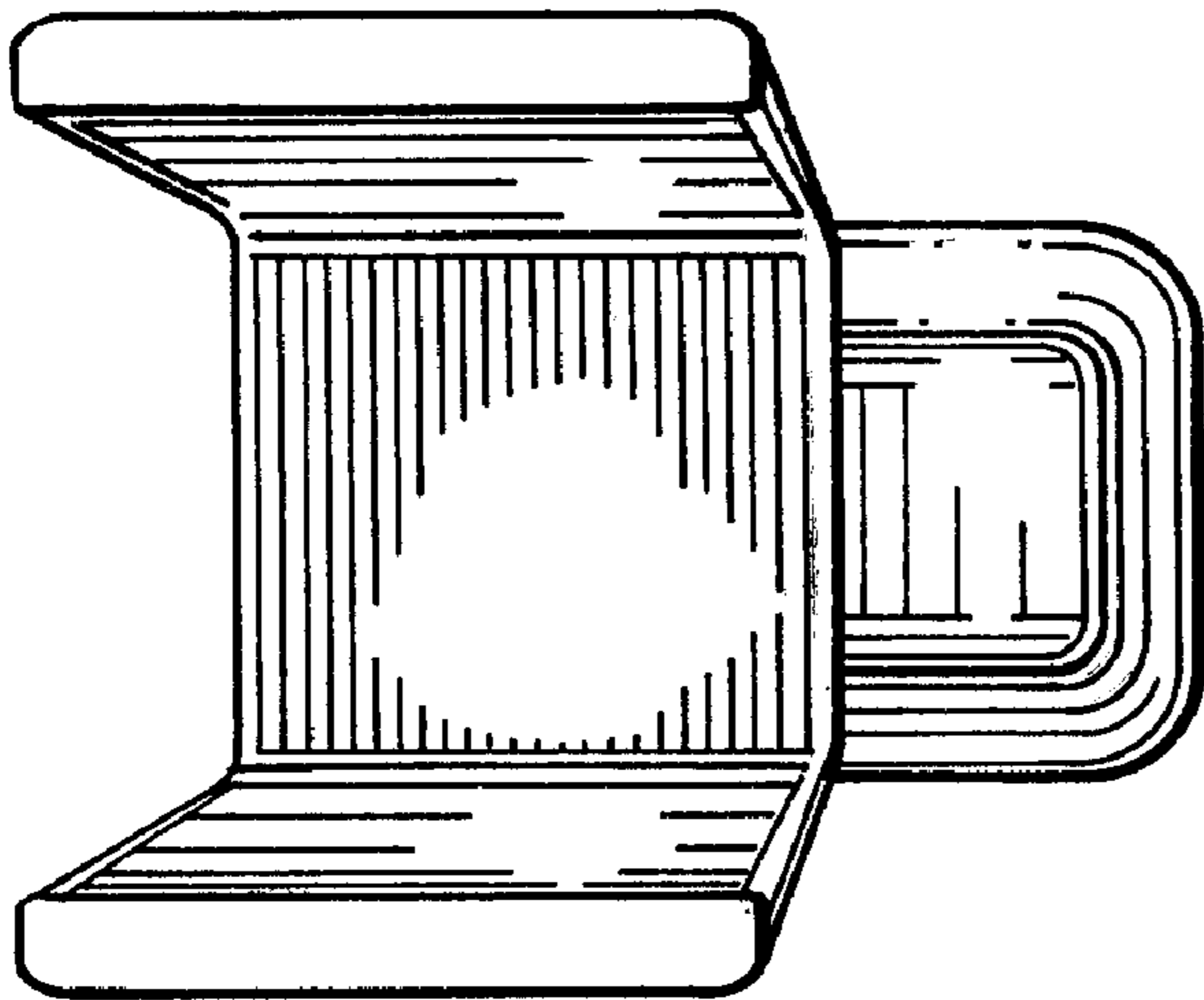


FIG. 6

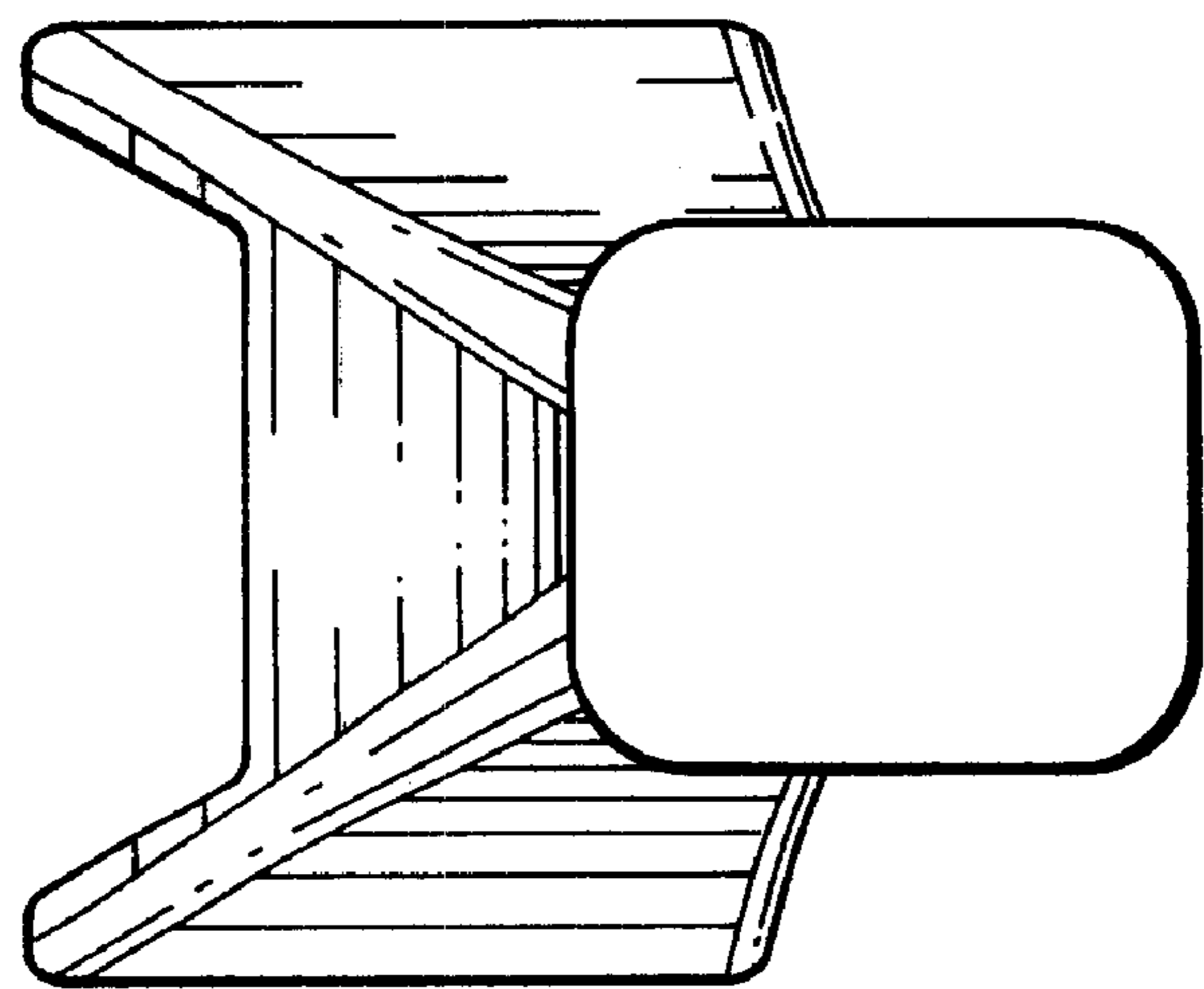


FIG. 7