

US00D503842S

(12) **United States Design Patent**
Barnes

(10) **Patent No.:** **US D503,842 S**

(45) **Date of Patent:** **** Apr. 5, 2005**

(54) **GRAVE MARKER WITH FLAG HOLDER**

(76) **Inventor:** **Robert A. Barnes**, 655A Osage La.,
Stratford, CT (US) 06614

(**) **Term:** **14 Years**

(21) **Appl. No.:** **29/201,877**

(22) **Filed:** **Mar. 22, 2004**

(51) **LOC (7) Cl.** **11-05**

(52) **U.S. Cl.** **D99/18**

(58) **Field of Search** D99/17, 18, 23;
D8/1, 388, 392, 840; D25/131; D21/839,
840; 52/155, 156, 165, 294; 40/124.5; 248/146,
156, 530, 545, 125.1; D11/181, 182, 166;
108/159

(56) **References Cited**

U.S. PATENT DOCUMENTS

D4,565 S	1/1871	Tift	
D18,517 S	8/1888	Arnold	
427,815 A	5/1890	Wolf	
D51,647 S	1/1918	Lawton	
D62,288 S	5/1923	Jones	
1,500,870 A *	7/1924	Holdredge	52/155
D75,474 S	6/1928	Camelo	
1,966,922 A *	7/1934	Coleman	40/124.5
2,322,600 A	6/1943	Stahler	
3,283,733 A *	11/1966	Boerma	108/159
D231,628 S	5/1974	Bartels	
3,977,110 A	8/1976	Yerger	
4,334,661 A	6/1982	Pitt	

4,520,985 A	6/1985	Blumenthal	
D339,738 S	9/1993	Blancett et al.	
D343,775 S	2/1994	Steen	
5,349,775 A	9/1994	Mondares	
D365,308 S	12/1995	White	
5,608,994 A	3/1997	Carter	
D383,054 S	9/1997	Adams	
D405,662 S	2/1999	Evans	
D415,018 S	10/1999	Uhler	
D476,131 S *	6/2003	Barnes	D99/18

* cited by examiner

Primary Examiner—Paula A. Greene

(74) *Attorney, Agent, or Firm*—Ware, Fressola, Van der Sluys & Adolphson LLP

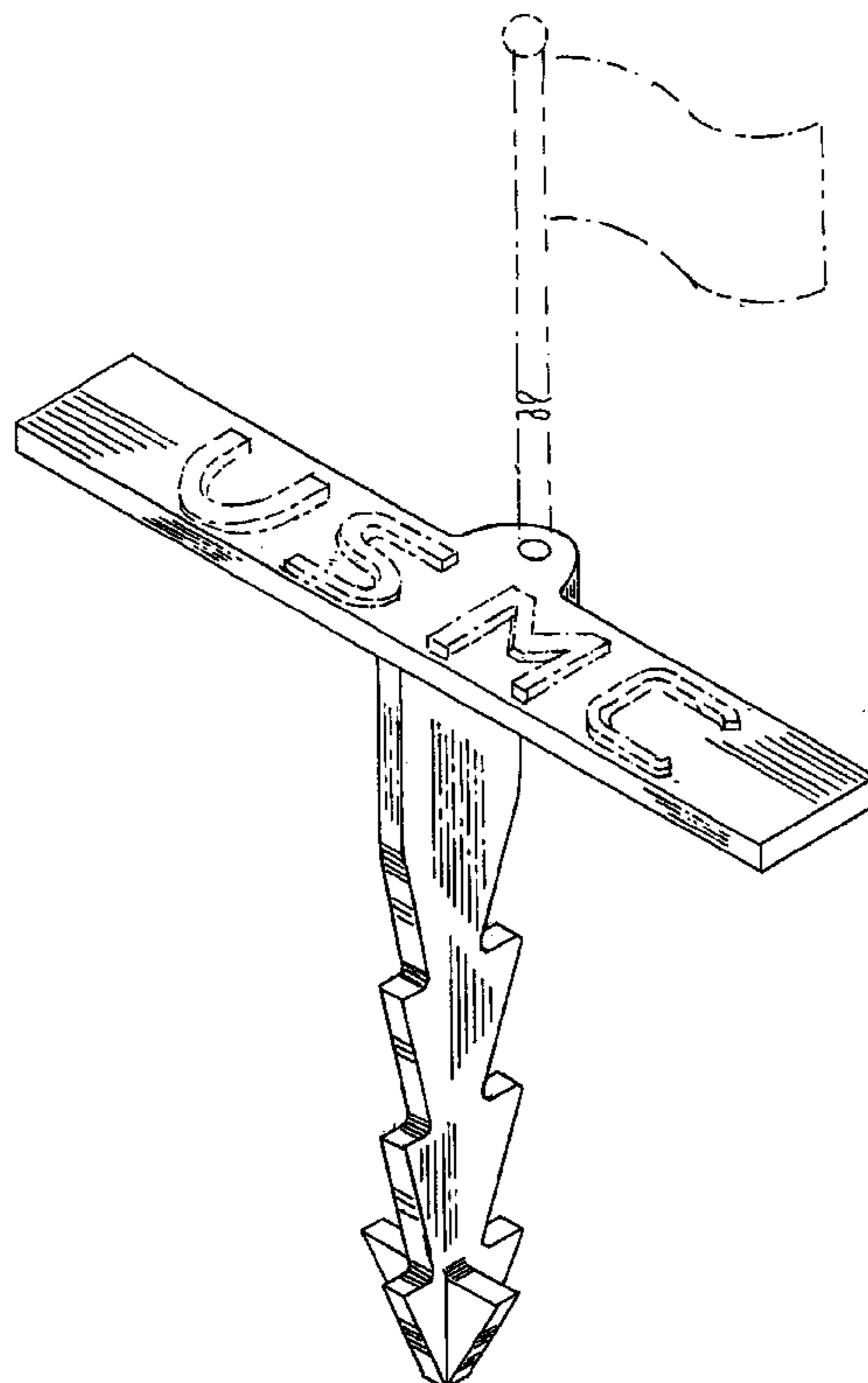
(57) **CLAIM**

I claim the ornamental design of a grave marker with flag holder, as shown and described.

DESCRIPTION

FIG. 1 is a perspective view of the invention;
FIG. 2 is a top view of the invention;
FIG. 3 is a front view of the invention;
FIG. 4 is a left side view of the invention;
FIG. 5 is a bottom view of the invention;
FIG. 6 is a right side view of the invention; and,
FIG. 7 is a rear view of the invention.
The flag and indicia shown in the figures in broken lines are for illustrative purposes only and form no part of the claimed design.

1 Claim, 6 Drawing Sheets



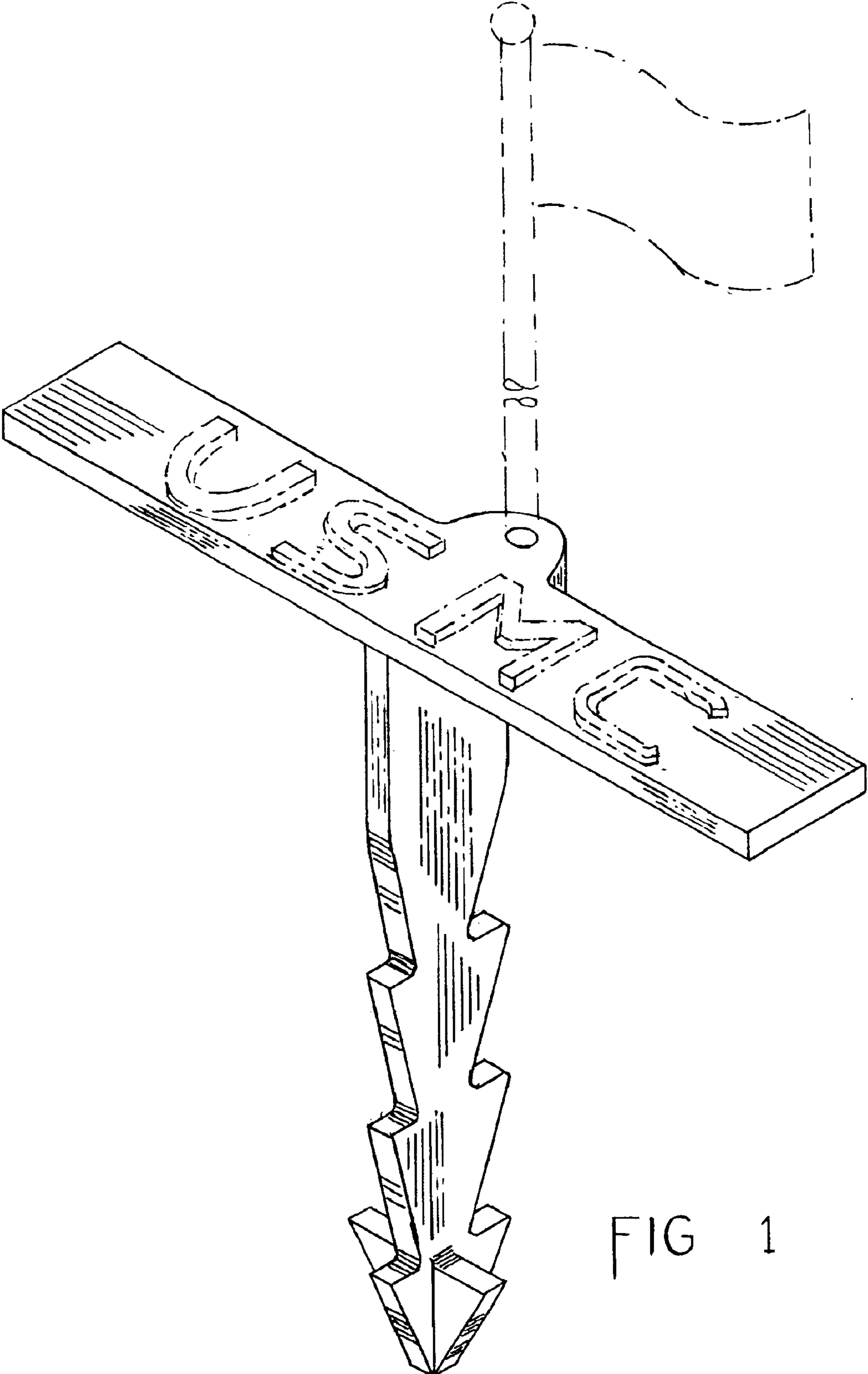


FIG 1

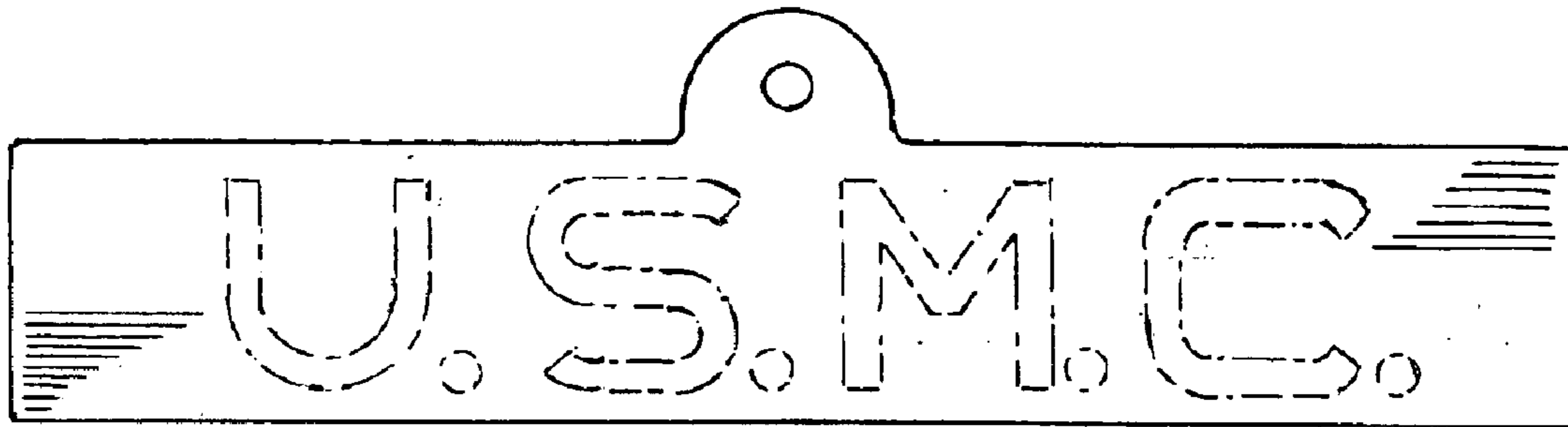


FIG 2

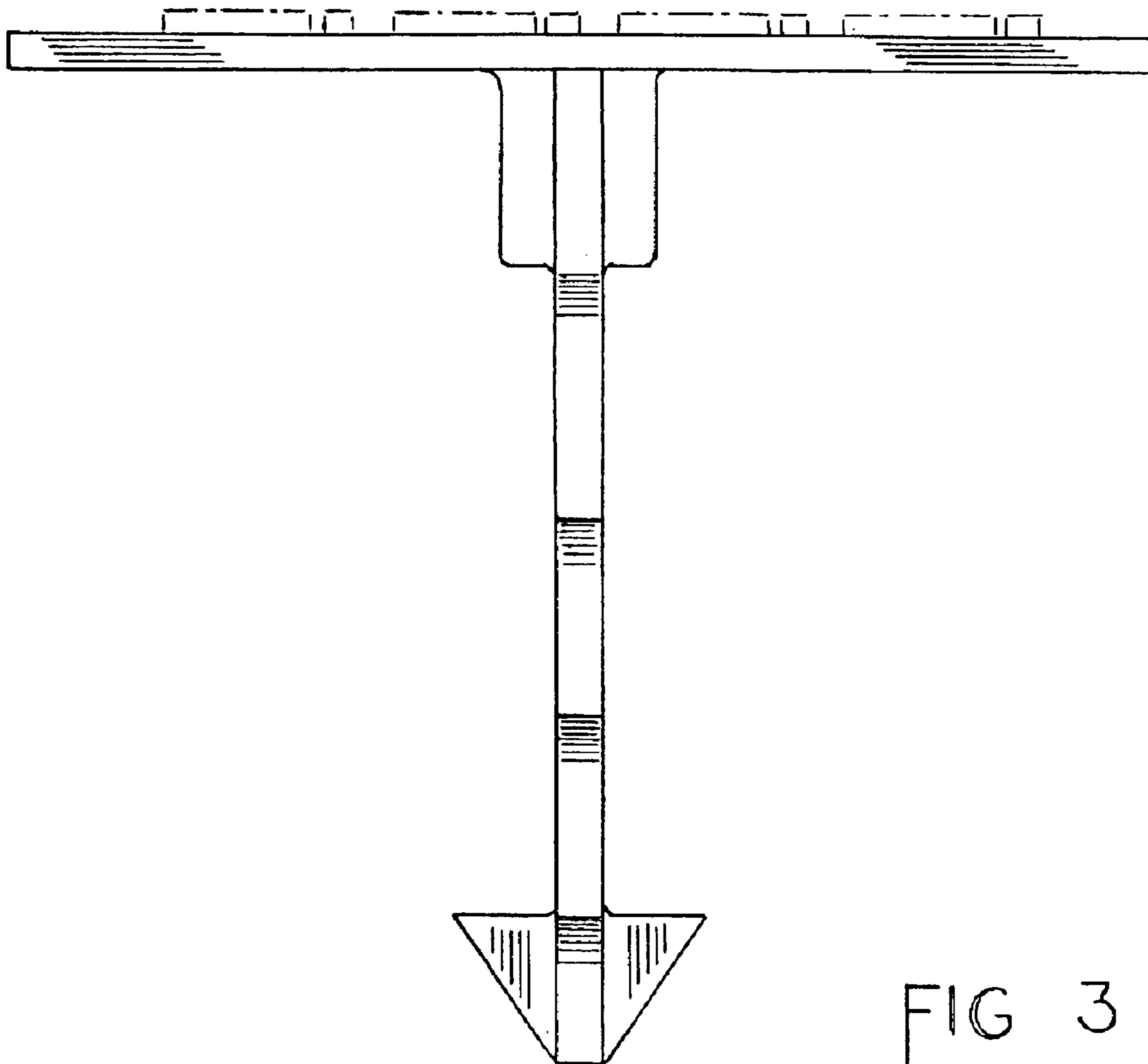


FIG 3

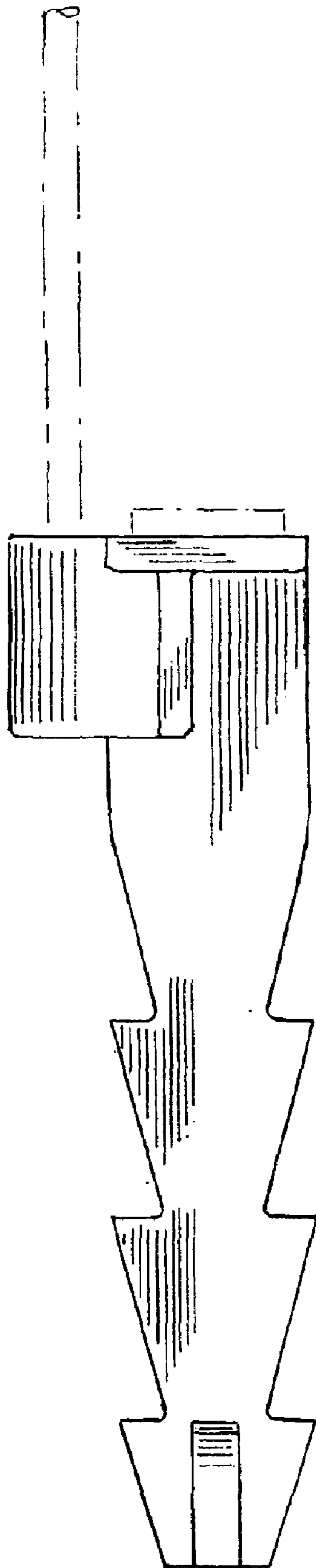


FIG 4

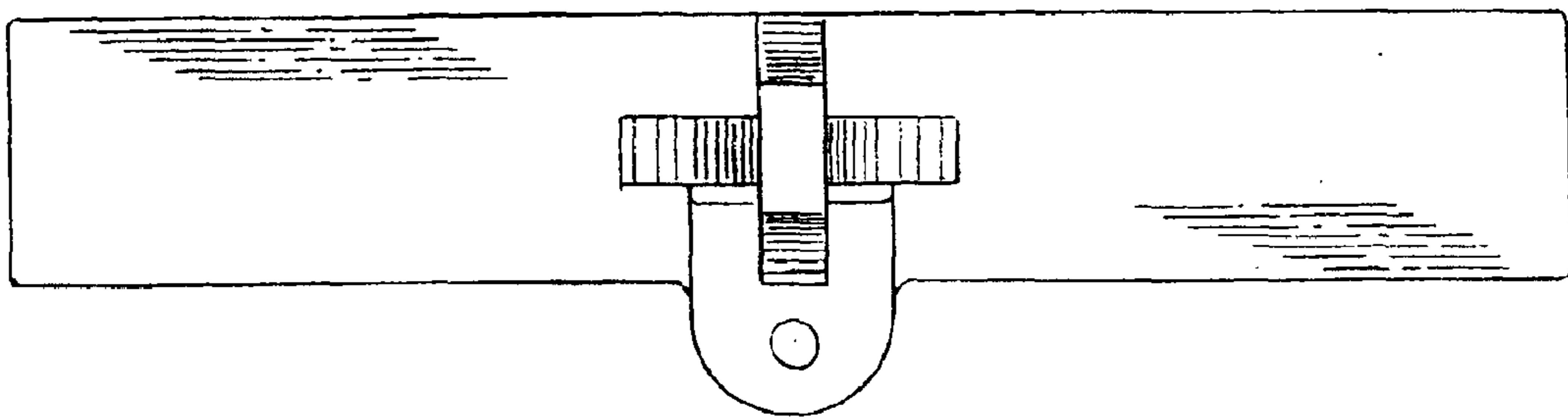


FIG 5

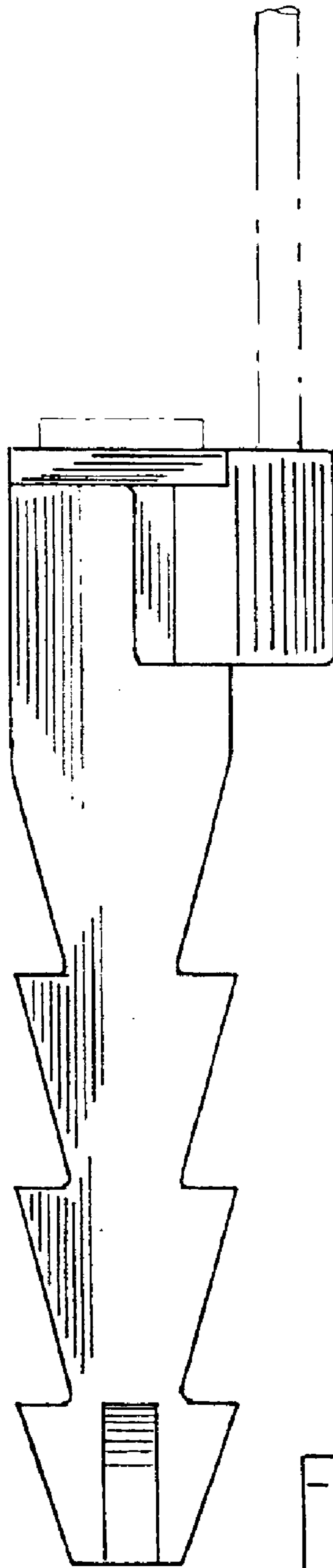


FIG 6

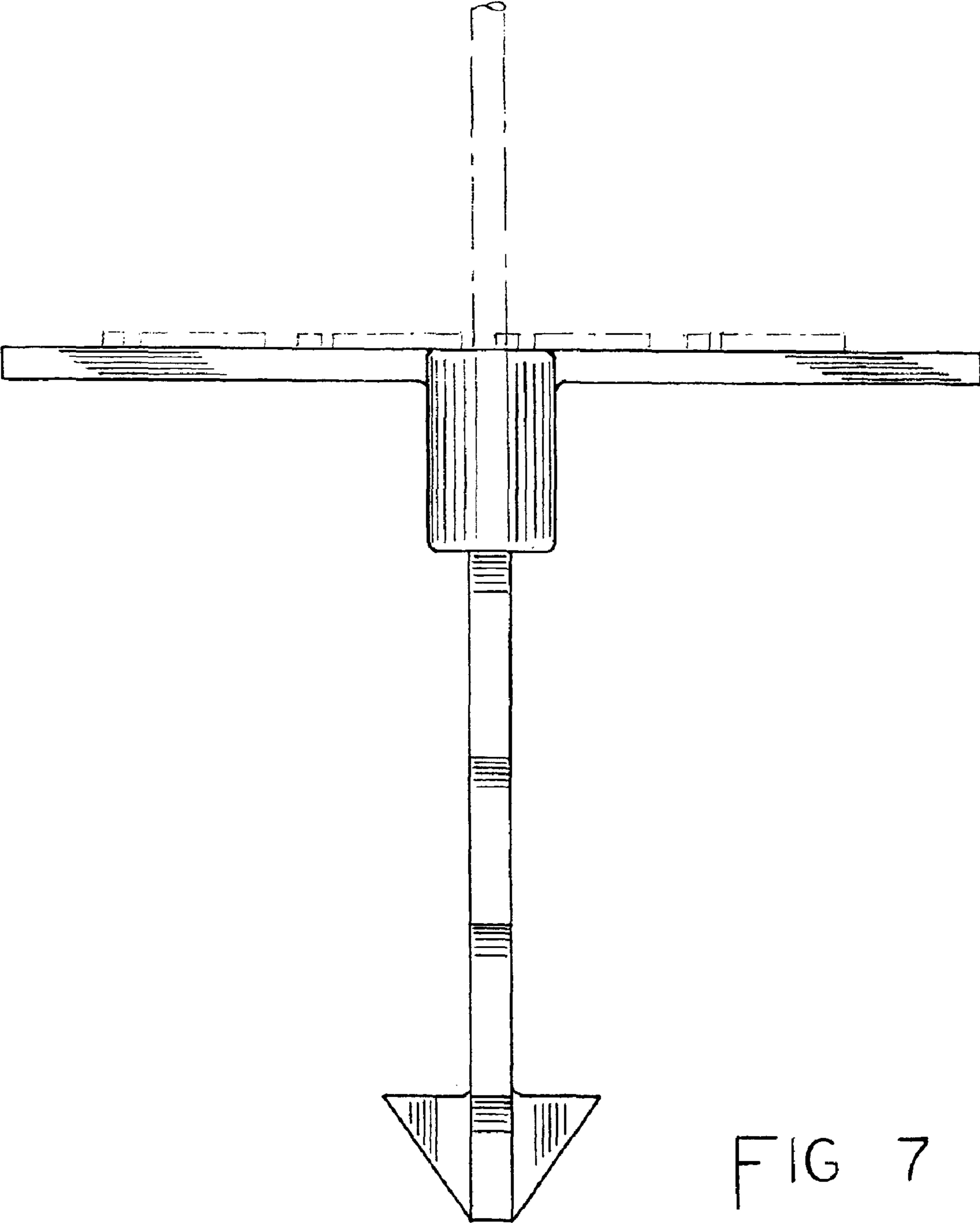


FIG 7