



US00D503839S

(12) **United States Design Patent**
Schmidt et al.

(10) **Patent No.:** **US D503,839 S**

(45) **Date of Patent:** **** Apr. 5, 2005**

(54) **STAMPED PATTERN ON A MODULAR CABINET DOOR**

D491,585 S * 6/2004 Schmidt et al. D15/91

* cited by examiner

(75) Inventors: **Duane A. Schmidt**, Newburgh, IN (US); **Allan R. Steinkuhl**, Evansville, IN (US); **Joseph L. Coleman**, Evansville, IN (US)

Primary Examiner—Holly Baynham

(74) *Attorney, Agent, or Firm*—Stephen Krefman; Robert O. Rice; John F. Colligan

(73) Assignee: **Whirlpool Corporation**, Benton Harbor, MI (US)

(57) **CLAIM**

The ornamental design for a stamped pattern on a modular cabinet door, as shown and described.

(**) Term: **14 Years**

DESCRIPTION

(21) Appl. No.: **29/173,444**

FIG. 1 is a left front perspective view of the design of the modular cabinet;

(22) Filed: **Dec. 30, 2002**

FIG. 2 is a front elevational view thereof. The ornamental design is not visible in a rear view, top plan view or bottom view; and,

(51) **LOC (7) Cl.** **12-02**

(52) **U.S. Cl.** **D34/27**

(58) **Field of Search** D34/12-27; D14/189, D14/193; D6/432, 396, 397, 441, 443, 446, 448, 510; D29/109

FIG. 3 is an enlarged view of the pattern on the modular cabinet doors of the embodiment of FIG. 1.

The characteristic feature of the ornamental design resides in the use of a pattern on the modular cabinet doors.

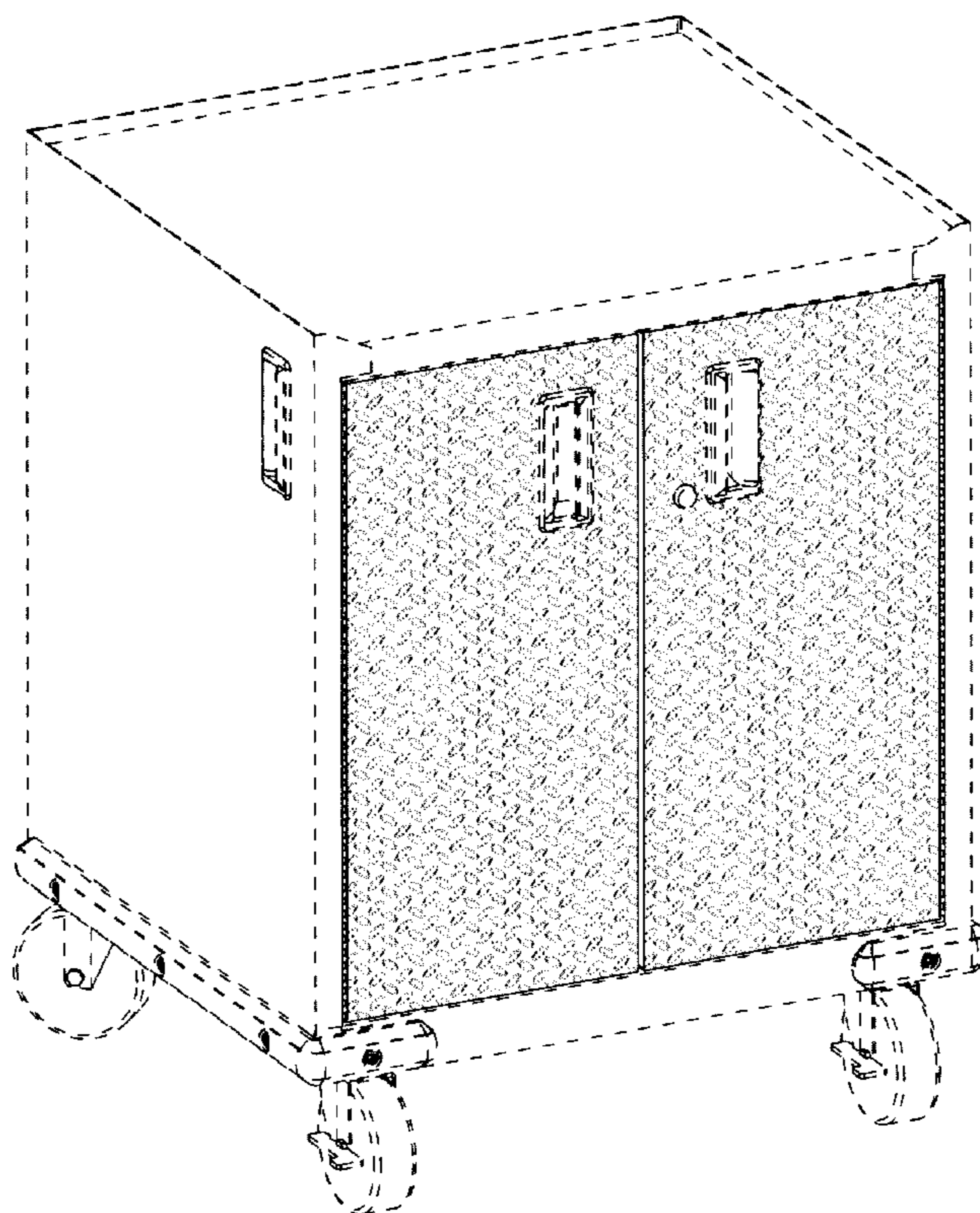
(56) **References Cited**

U.S. PATENT DOCUMENTS

| | | | |
|---------------|--------|-----------------|---------|
| D95,158 S | 4/1935 | Surerus | |
| 5,807,021 A * | 9/1998 | Aaron | 404/19 |
| D409,613 S * | 5/1999 | McGee et al. | D14/189 |
| D459,611 S * | 7/2002 | Lio et al. | D6/432 |
| D471,377 S | 3/2003 | Gledhill et al. | D6/432 |
| D474,563 S | 5/2003 | Bresciani | D29/109 |

Those portions of modular cabinet in broken lines, specifically the surfaces of the modular cabinet at the top and bottom edges of the doors and surfaces extending back from the doors including other surfaces of the modular cabinet are for illustrative purposes only and are not part of the claimed invention.

1 Claim, 2 Drawing Sheets



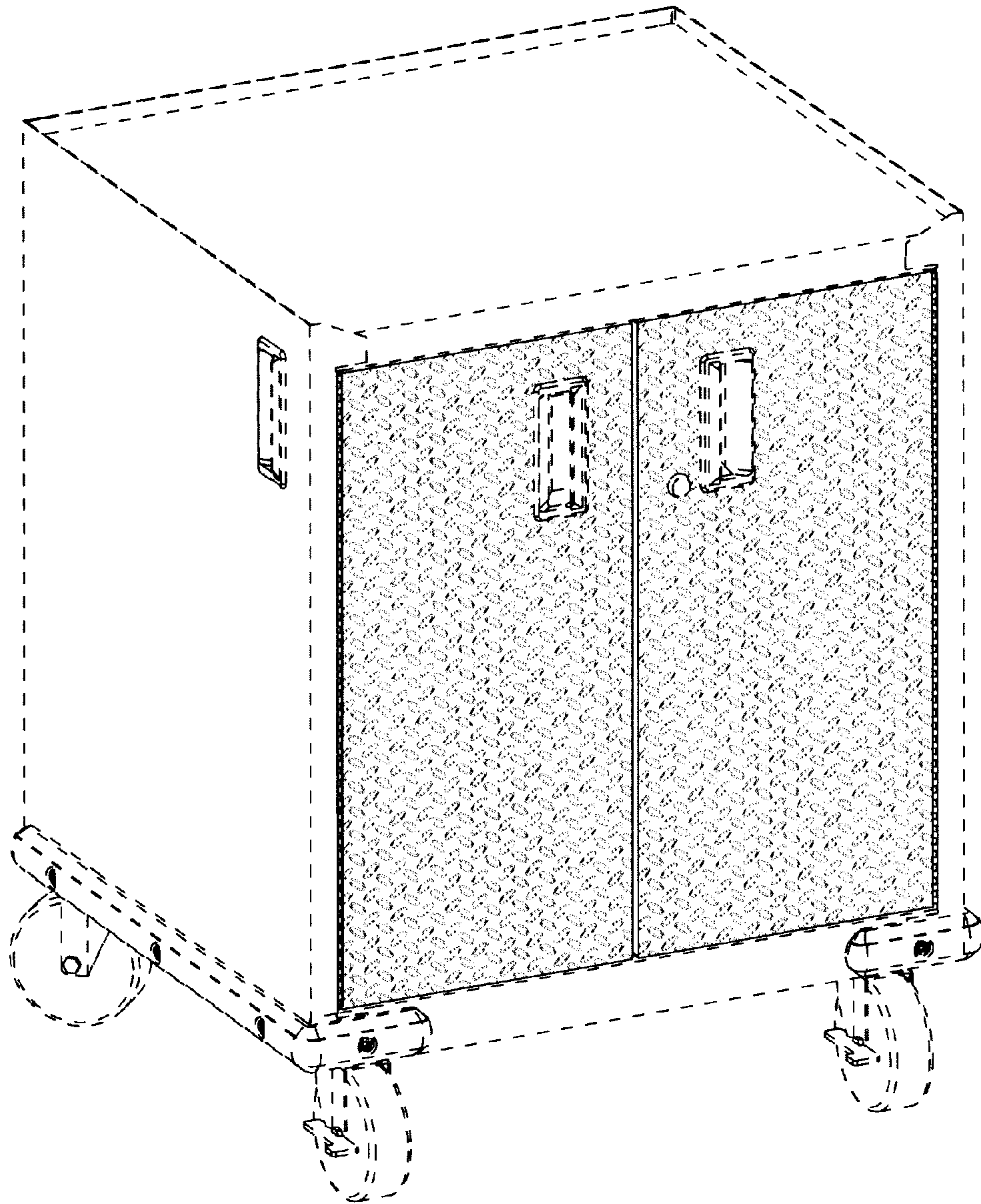


Fig. 1

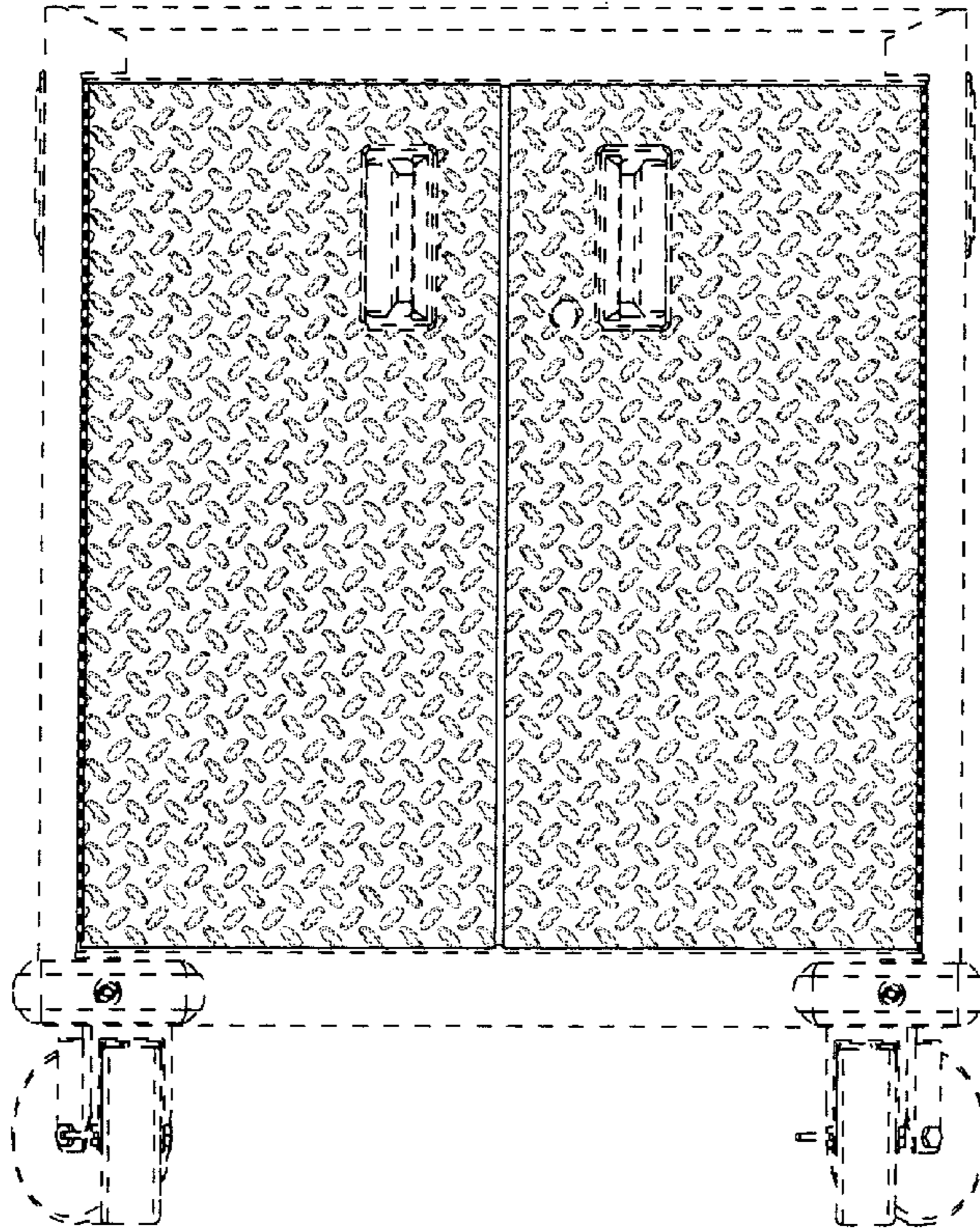


Fig. 2

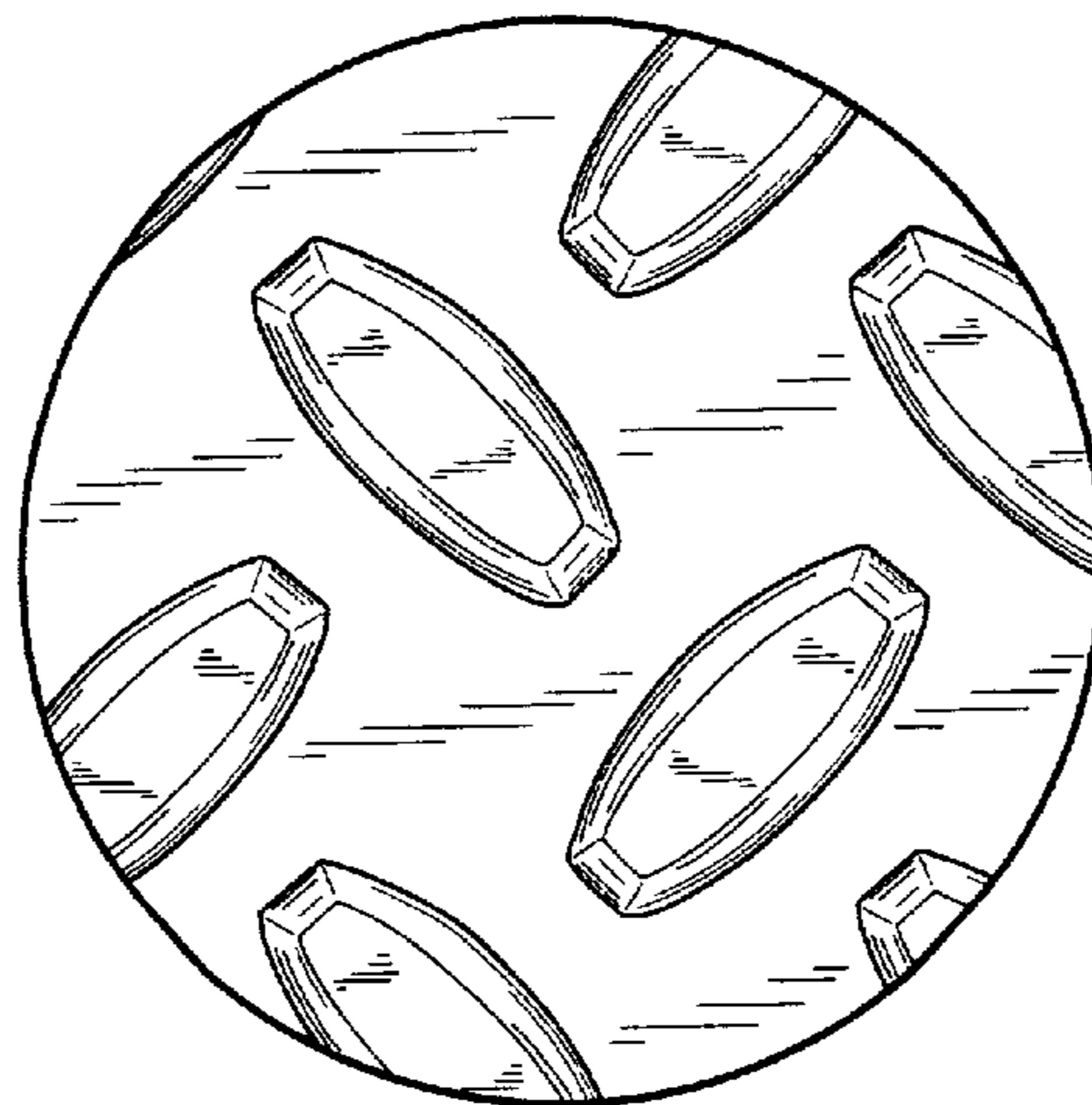


Fig. 3