

US00D503834S

(12) **United States Design Patent**
Fusaro et al.

(10) **Patent No.: US D503,834 S**

(45) **Date of Patent: ** Apr. 5, 2005**

(54) **MOUNTING BRACKET**

(75) Inventors: **Amelia R. Fusaro**, Atlanta, GA (US);
William F. Everitt, Atlanta, GA (US)

(73) Assignee: **Great Crested Trading Company**,
Atlanta, GA (US)

(**) Term: **14 Years**

(21) Appl. No.: **29/182,508**

(22) Filed: **May 28, 2003**

(51) **LOC (7) Cl.** **30-02**

(52) **U.S. Cl.** **D30/119; D8/363**

(58) **Field of Search** D30/119, 133;
119/428-435; 248/124.1, 200.1, 206.1,
235; D8/363, 373

(56) **References Cited**

U.S. PATENT DOCUMENTS

1,495,900 A	*	5/1924	Foster	119/433
D66,767 S	*	3/1925	Foster et al.	D30/110
1,748,349 A	*	2/1930	Ijams	119/432
D357,557 S	*	4/1995	Piper	D30/133
6,581,891 B1	*	6/2003	Byrd	248/235

* cited by examiner

Primary Examiner—Cathy Anne MacCormac
(74) *Attorney, Agent, or Firm*—Dority & Manning

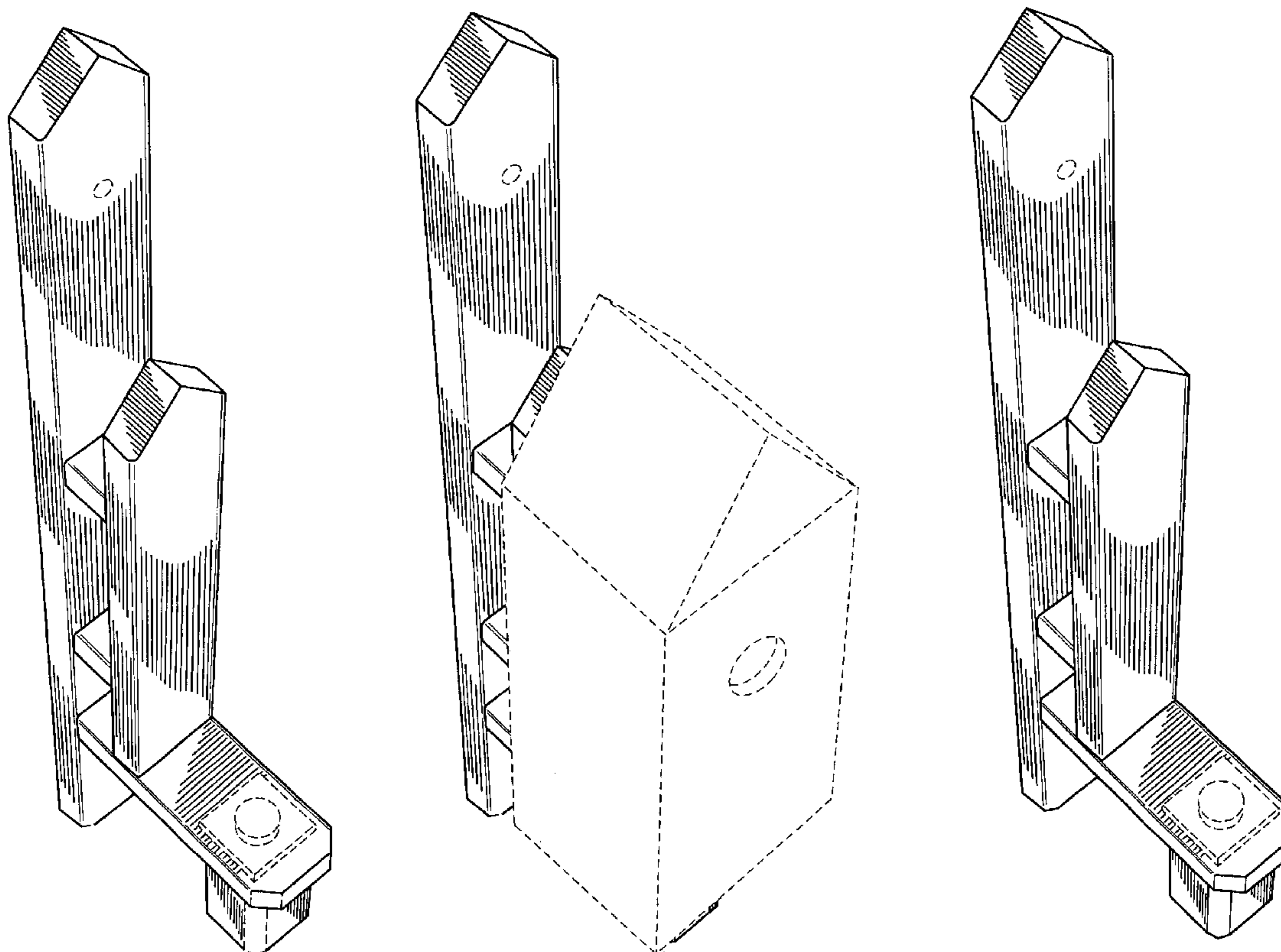
(57) **CLAIM**

The ornamental design of a mounting bracket, substantially as shown and described.

DESCRIPTION

FIG. 1 is a perspective view of a mounting bracket according to a first embodiment of this invention; FIG. 2 is another perspective view thereof; FIG. 3 is a left-side elevation thereof; FIG. 4 is a front elevation view thereof; FIG. 5 is a rear elevation view thereof; FIG. 6 is a top plan view thereof; FIG. 7 is a bottom plan view thereof; FIG. 8 is a perspective view of a second embodiment of of FIG. 1; FIG. 9 is a left-side elevation of FIG. 8; FIG. 10 is a front elevation view of FIG. 8; FIG. 11 is a rear elevation view of FIG. 8; FIG. 12 is a top plan view of FIG. 8; and, FIG. 13 is a bottom plan view of FIG. 8. The broken lines in FIGS. 1 through 13 indicate environmental matter and forms no part of the claimed design.

1 Claim, 7 Drawing Sheets



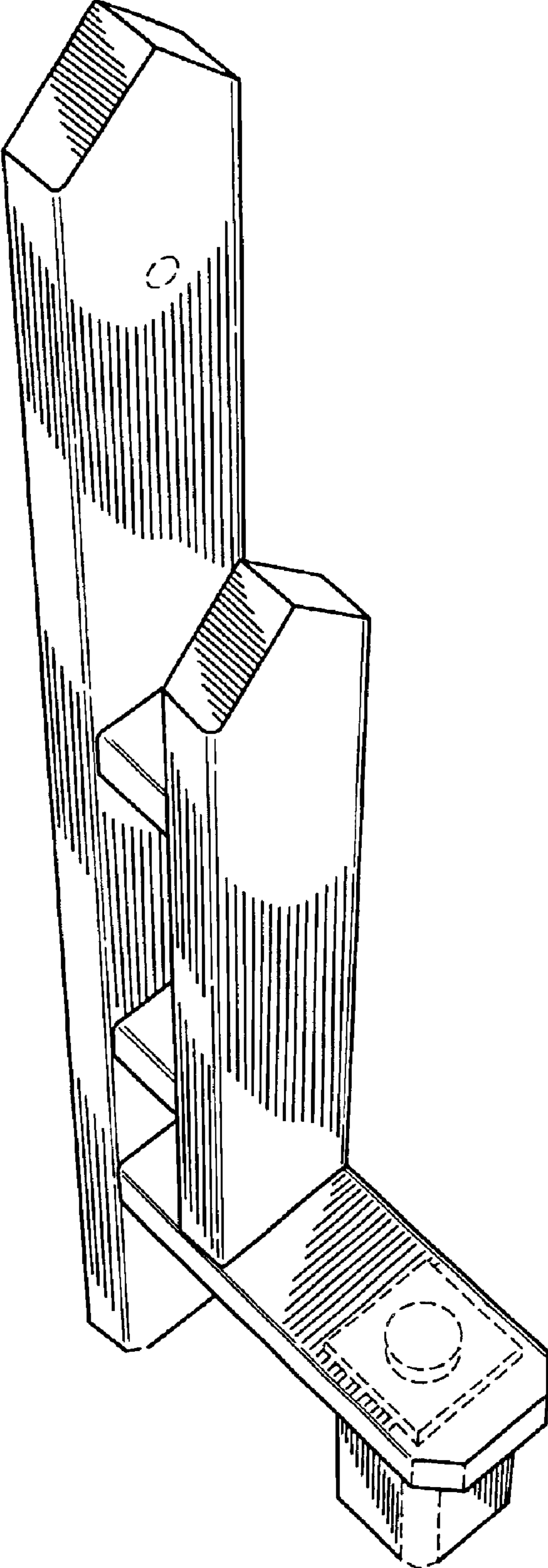


FIG. 1

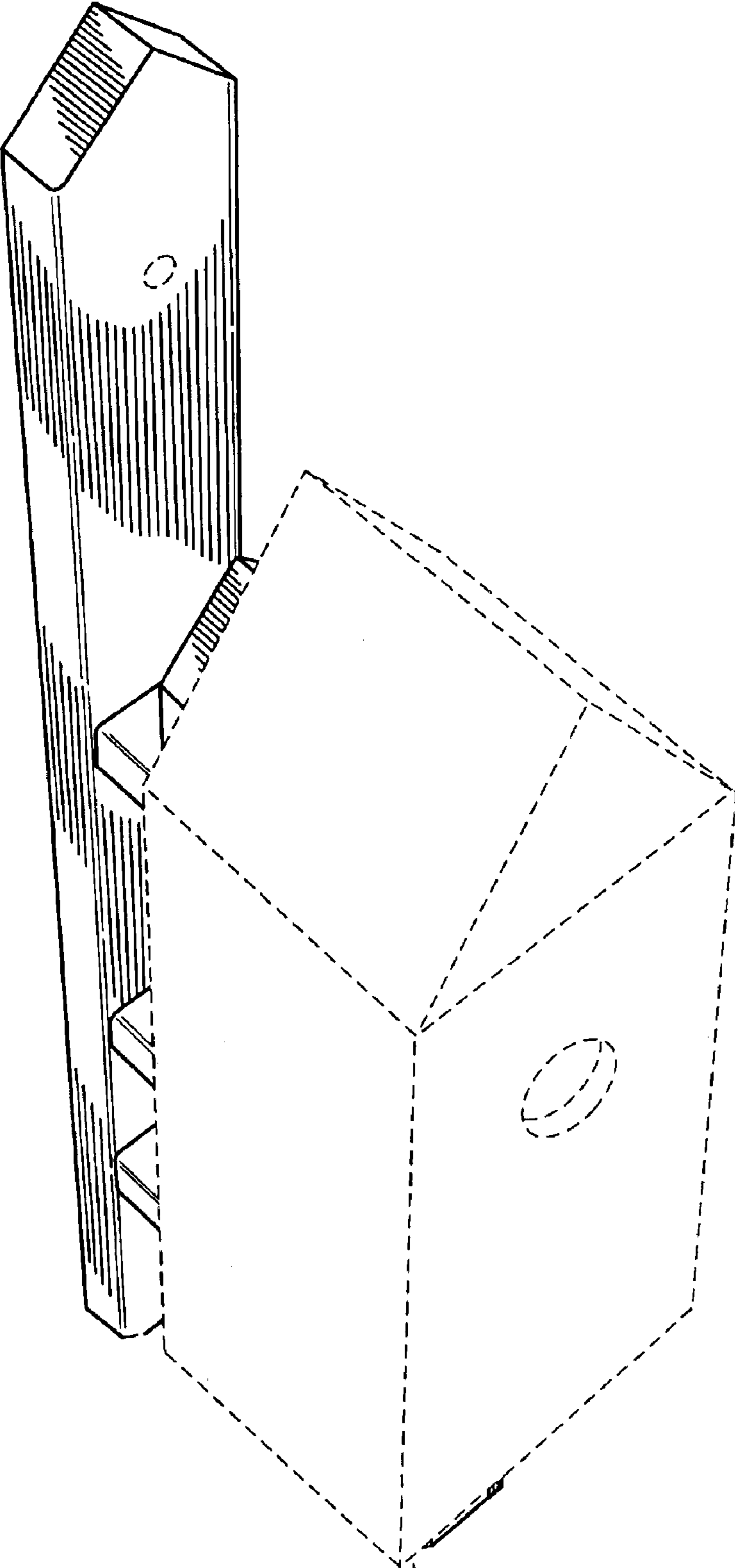


FIG. 2

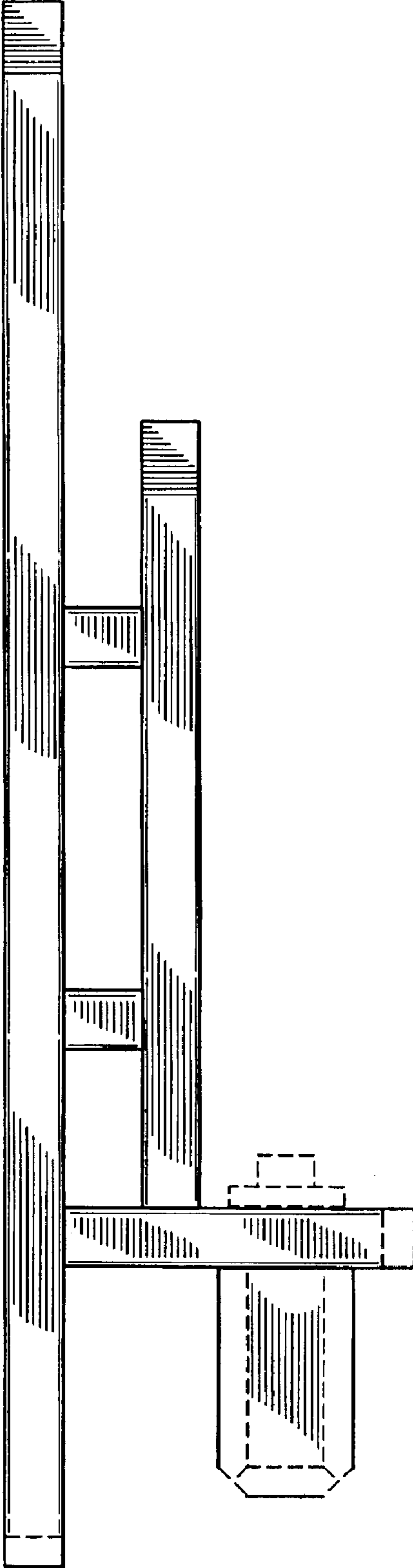


FIG. 3



FIG. 4

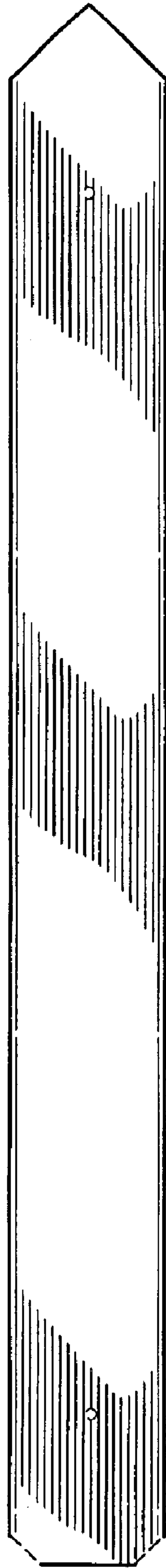


FIG. 5

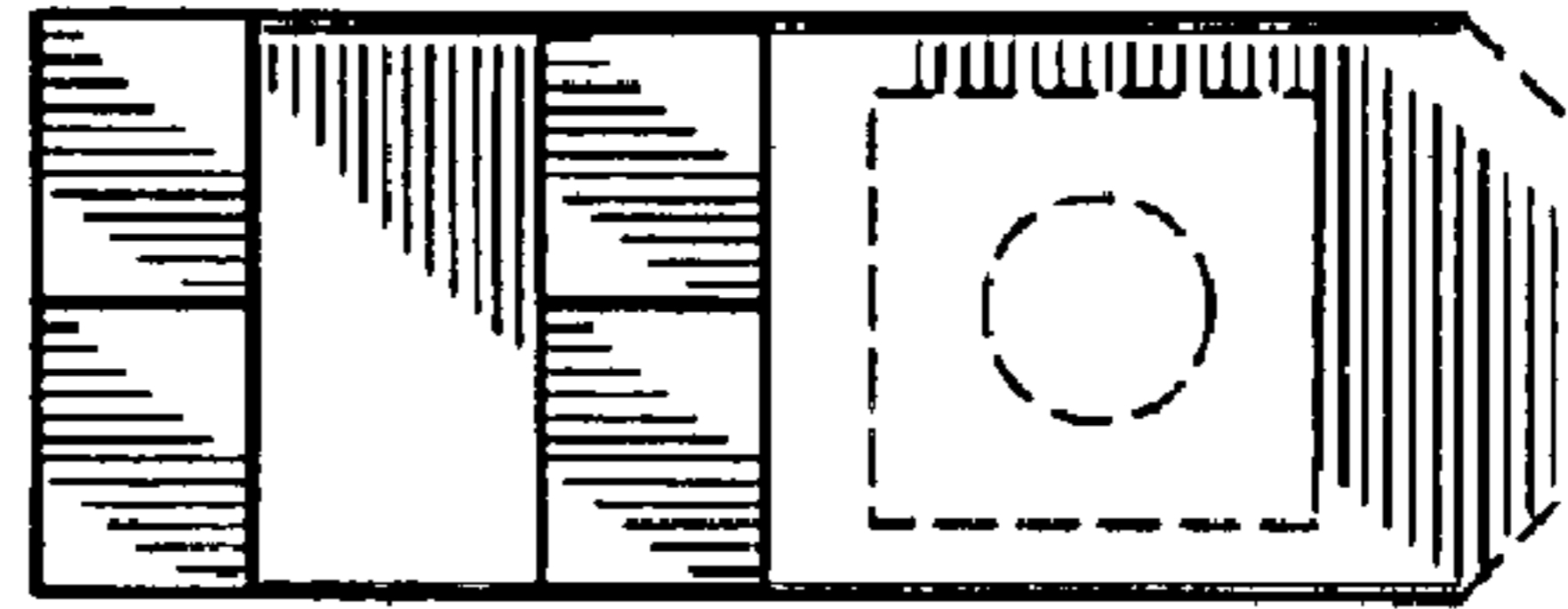


FIG. 6

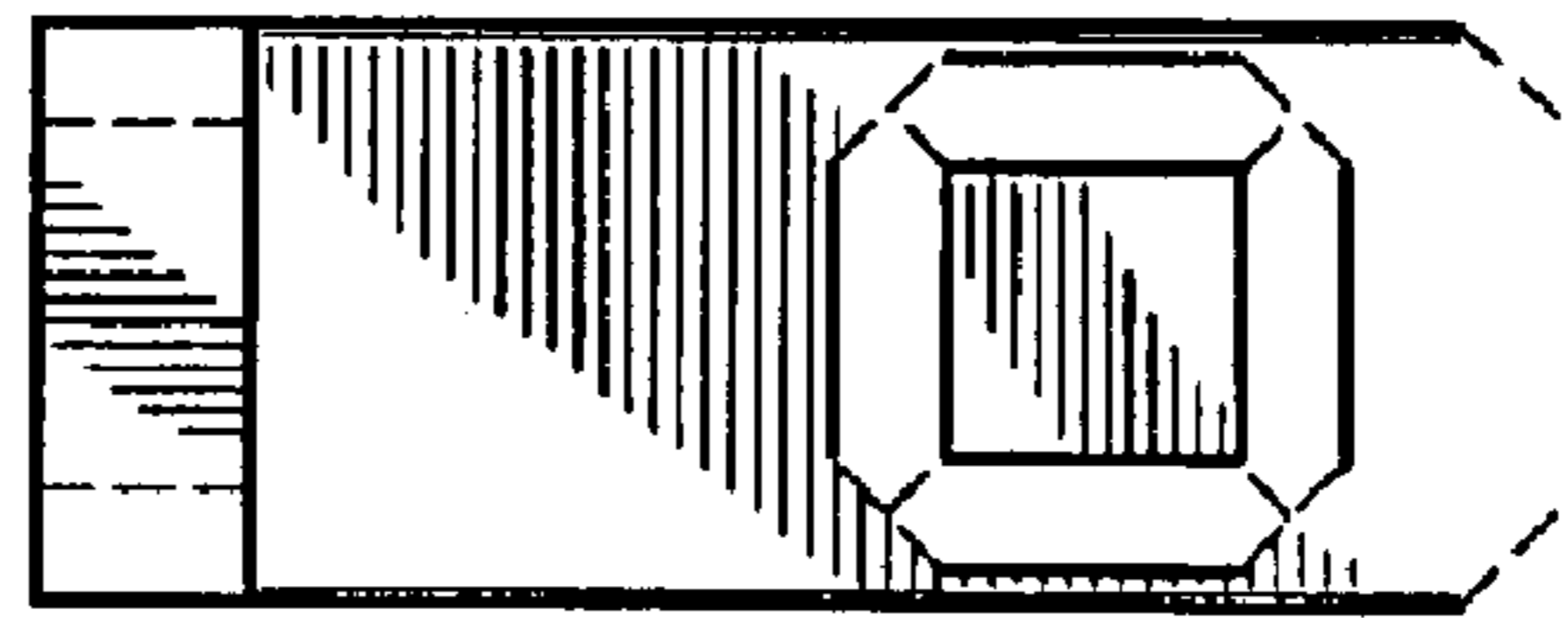


FIG. 7

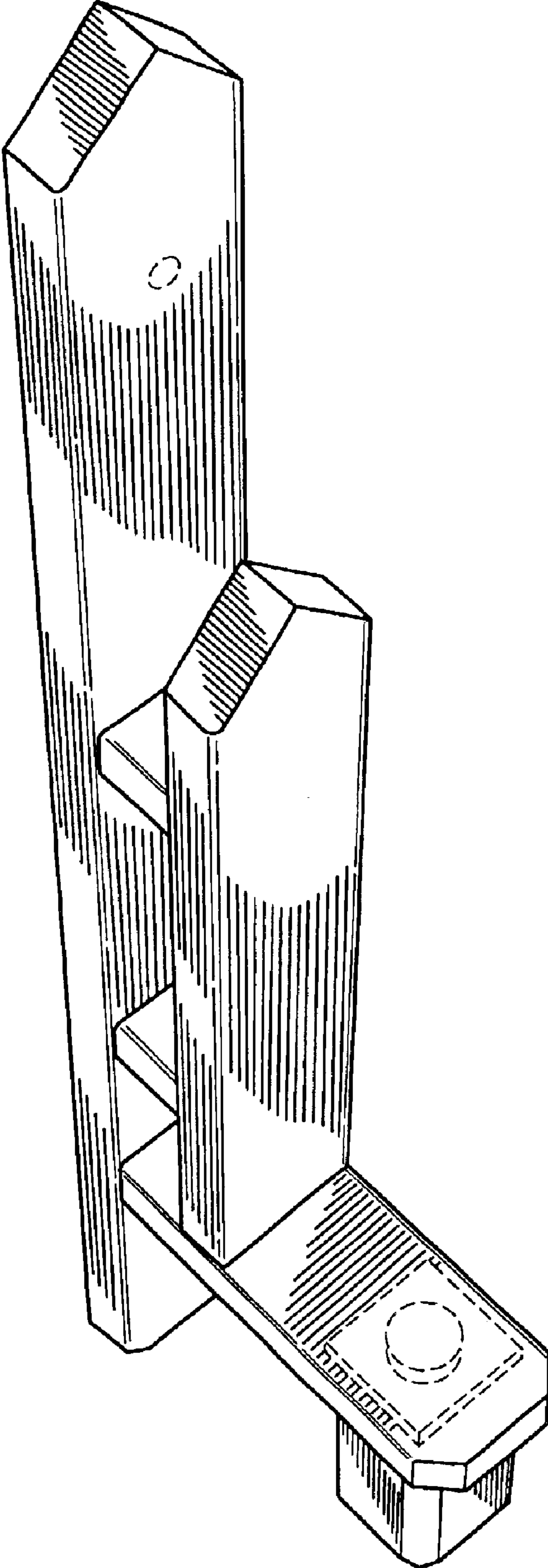


FIG. 8

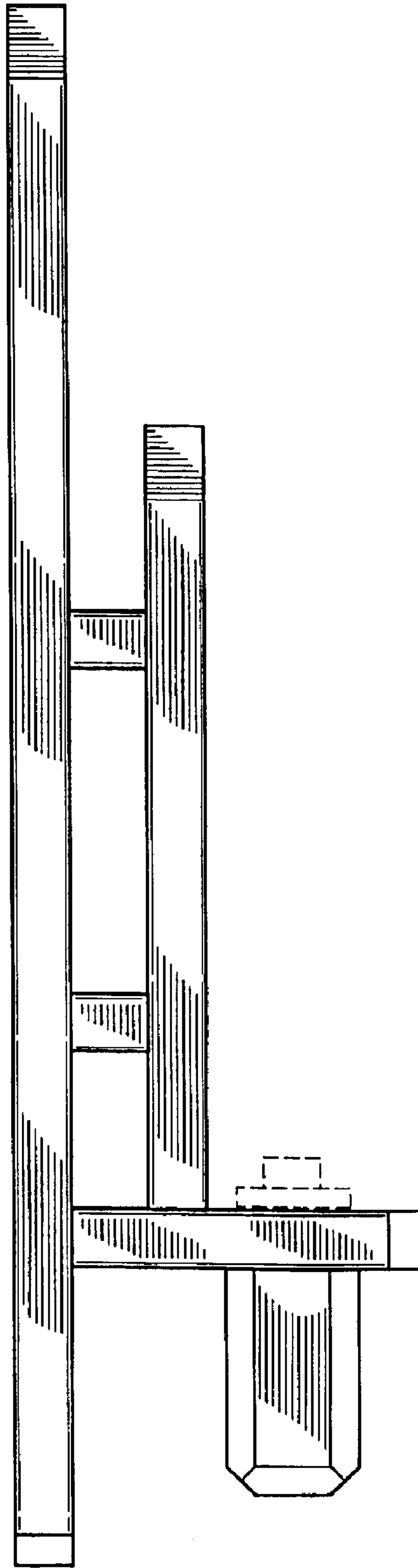


FIG. 9



FIG. 10

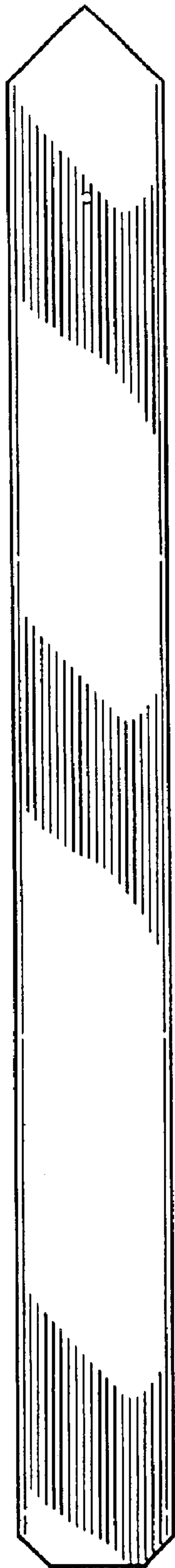


FIG. 11

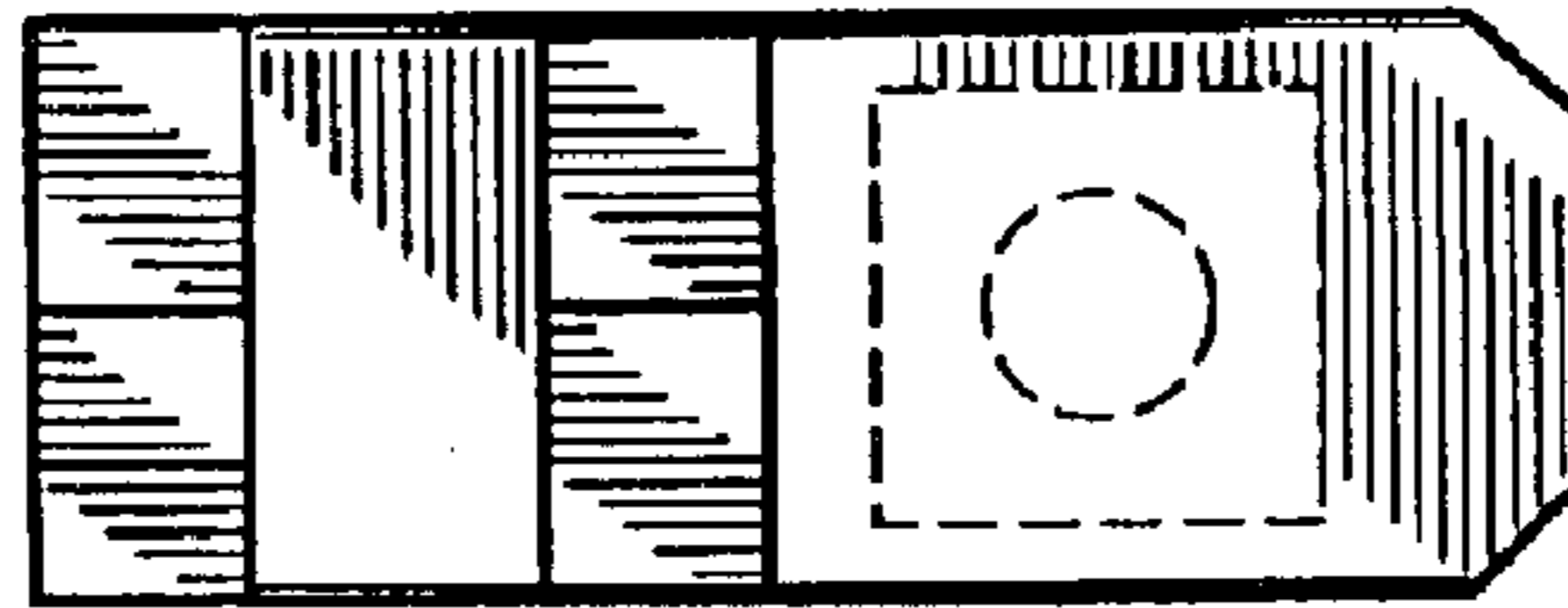


FIG. 12

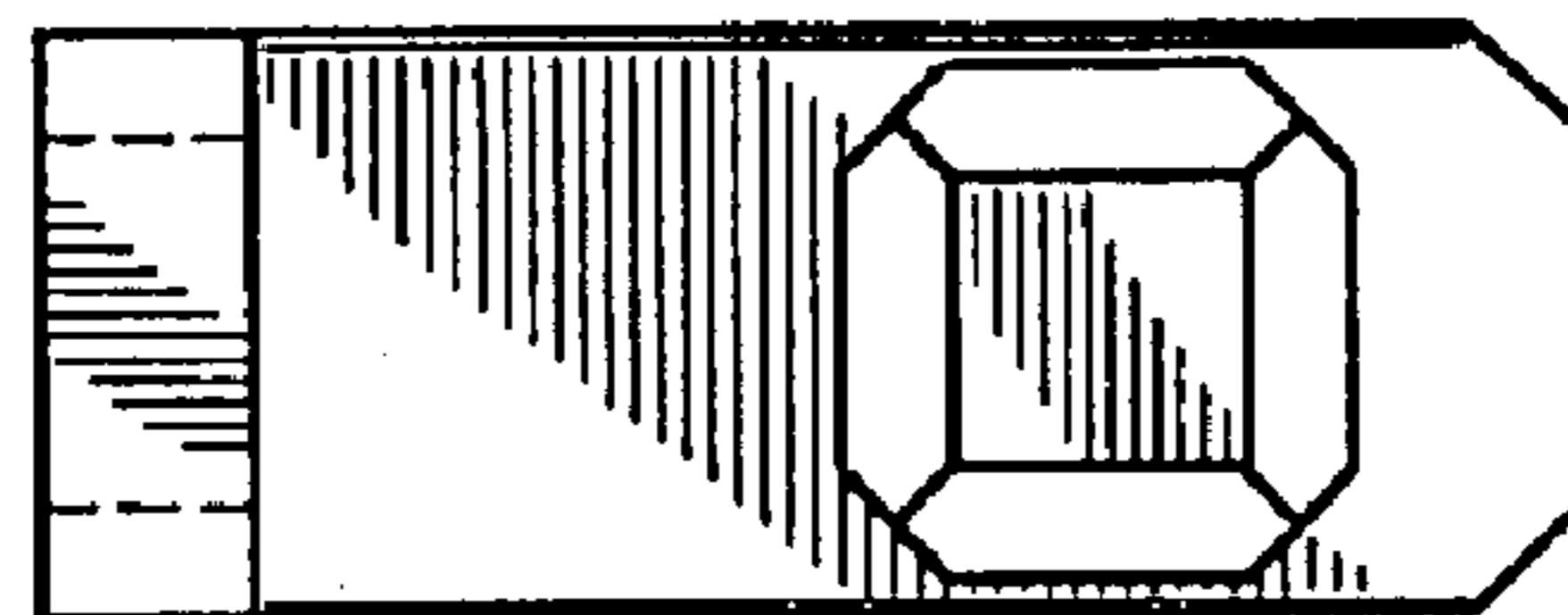


FIG. 13