



US00D503826S

(12) **United States Design Patent**
Yiu

(10) **Patent No.:** **US D503,826 S**

(45) **Date of Patent:** **** Apr. 5, 2005**

(54) **LIGHT FIXTURE BALLAST**

2004/0120156 A1 * 6/2004 Ryan 362/294

(76) Inventor: **Newman Lau Man Yiu**, 17th Floor,
Room 1710, Regent Center, Tower A,
63 Wo Yip Hop Road, Kwai Chung
(HK)

* cited by examiner

Primary Examiner—Jennifer Rivard

(74) *Attorney, Agent, or Firm*—Merchant & Gould

(**) Term: **14 Years**

(57) **CLAIM**

The ornamental design for a light fixture ballast, as shown and described.

(21) Appl. No.: **29/198,707**

DESCRIPTION

(22) Filed: **Feb. 3, 2004**

(51) **LOC (7) Cl.** **26-99**

(52) **U.S. Cl.** **D26/138**

(58) **Field of Search** D26/113, 118,
D26/138, 142; 362/147, 382, 404–405,
294, 369; D13/110, 134–136

FIG. 1 is a birds-eye perspective view of my new ornamental design for a light fixture ballast;

FIG. 2 is a worms-eye perspective view of the ballast of FIG. 1;

FIG. 3 is a top plan view of the ballast shown in FIG. 1;

FIG. 4 is a side elevational view of the ballast taken along lines 4—4 in FIG. 3;

FIG. 5 is a side elevational view of the ballast taken along lines 5—5 in FIG. 3; and,

FIG. 6 is a bottom plan view of the ballast shown in FIG. 2.

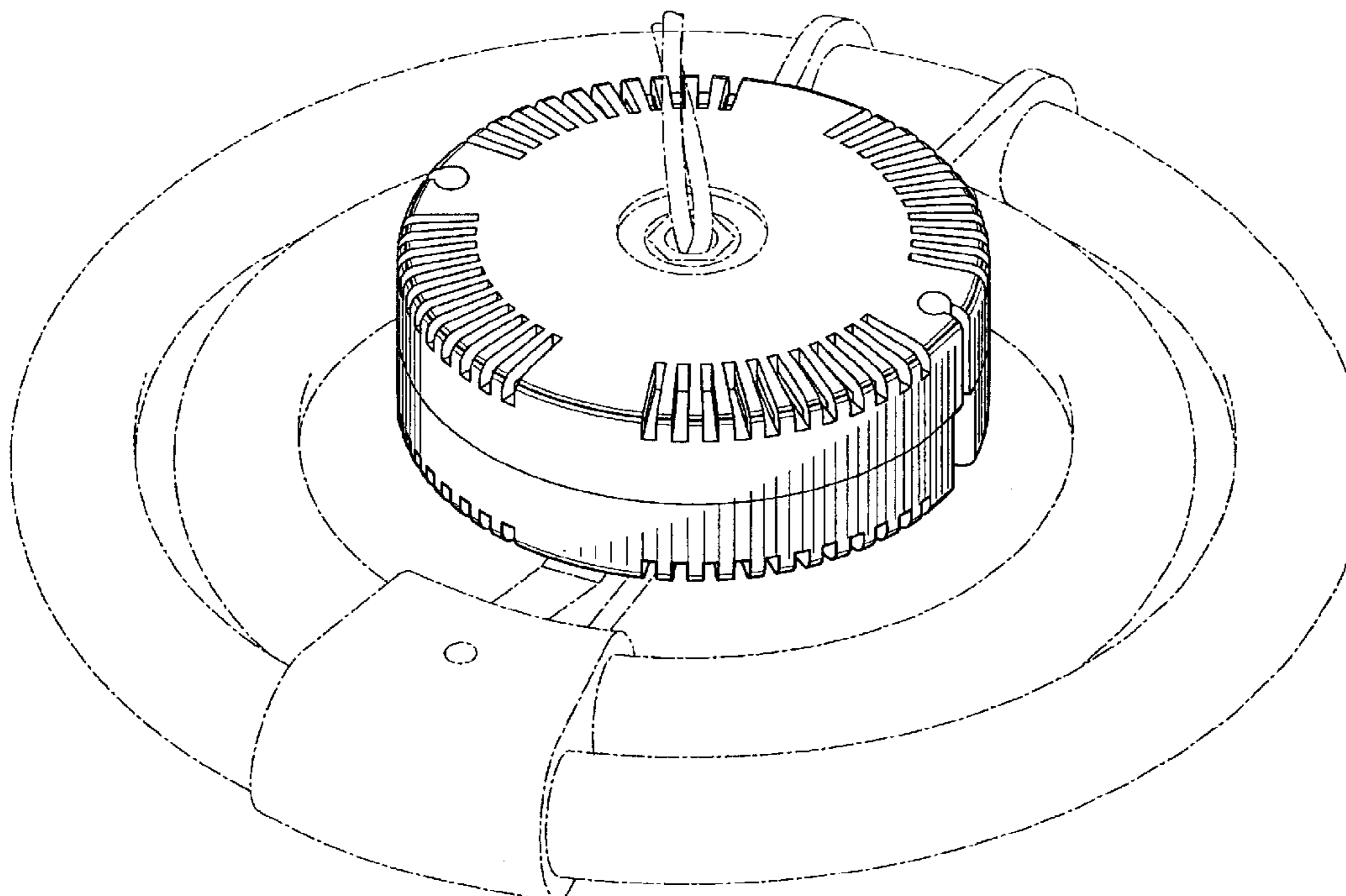
The broken lines showing environment in the drawings are for illustrative purposes only and form no part of the claimed design.

(56) **References Cited**

U.S. PATENT DOCUMENTS

D251,326 S	*	3/1979	Kristofek	D26/142
5,839,881 A	*	11/1998	Yu	362/369
6,648,488 B1	*	11/2003	Pearce	362/147
D483,517 S	*	12/2003	Fickas et al.	D26/138
6,780,050 B1	*	8/2004	Wu	362/405

1 Claim, 4 Drawing Sheets



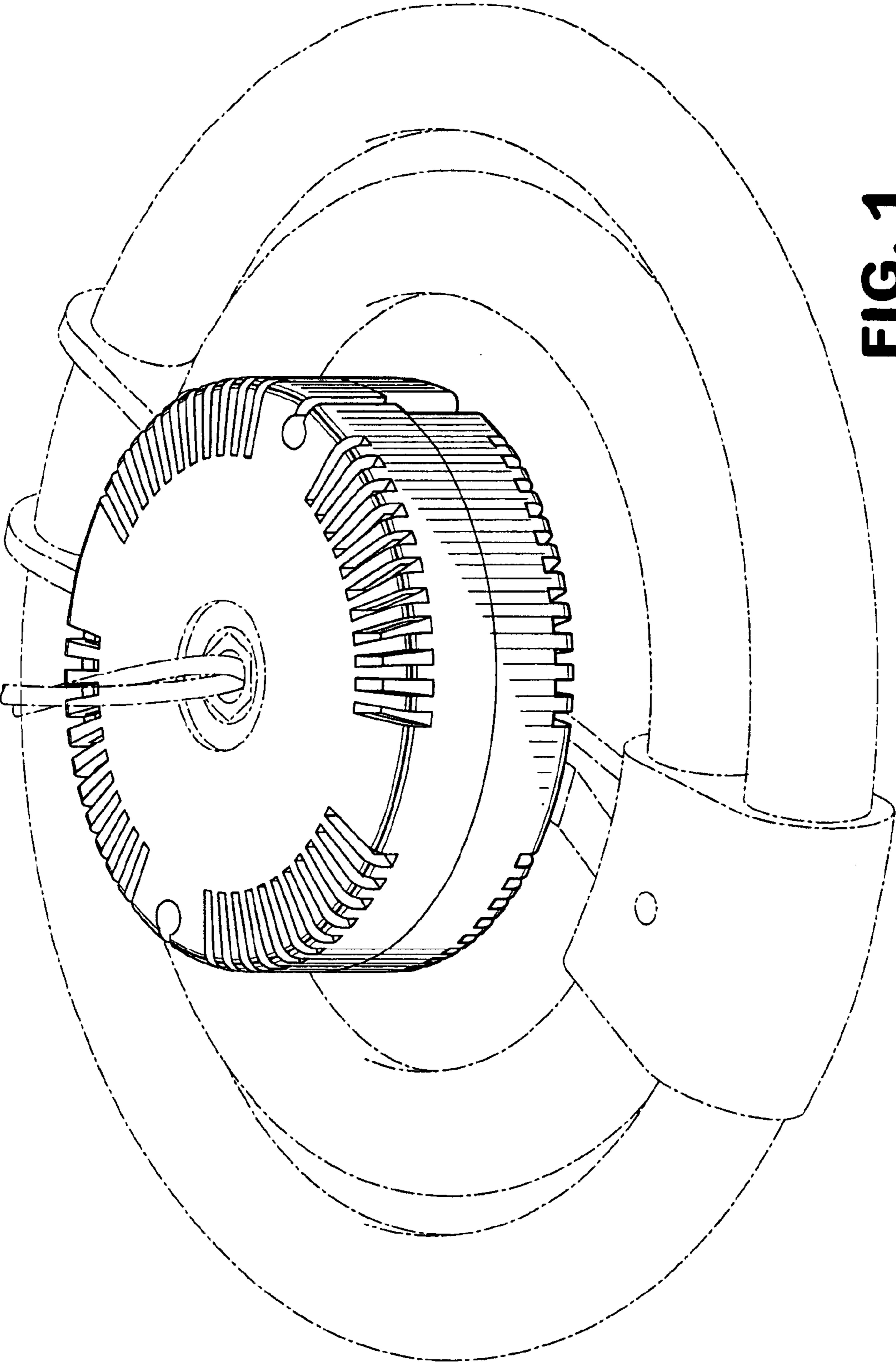


FIG. 1

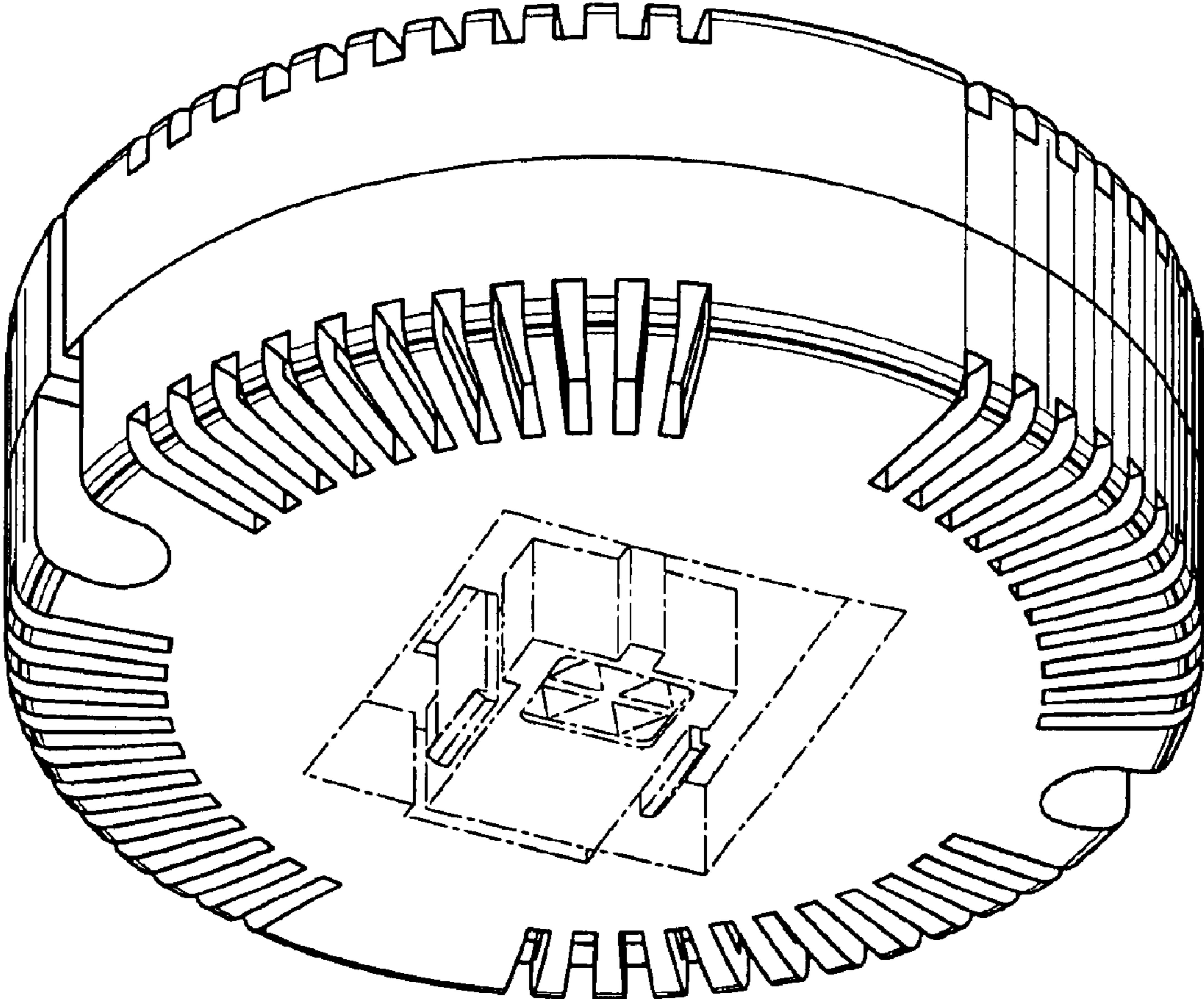


FIG. 2

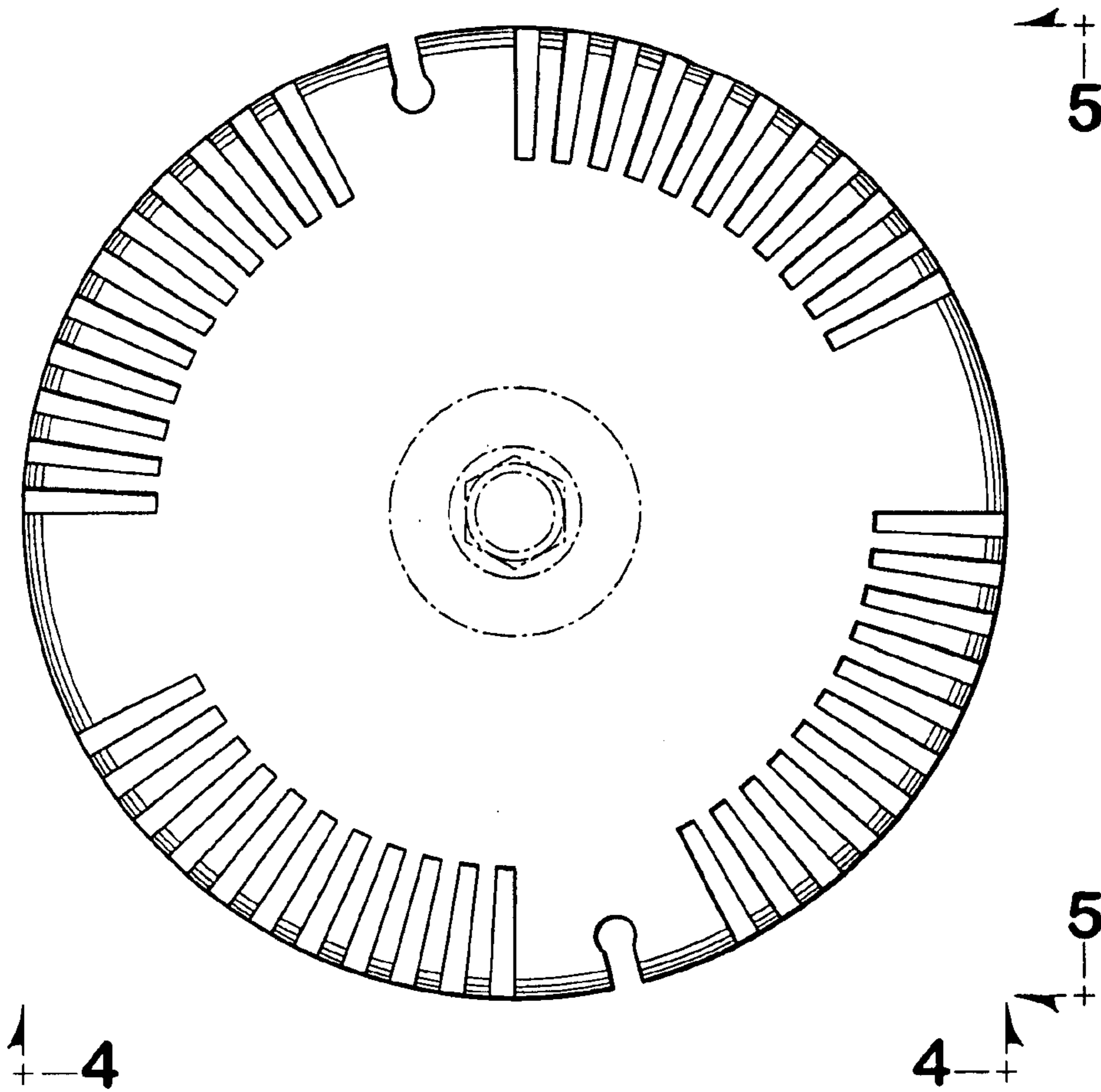


FIG. 3

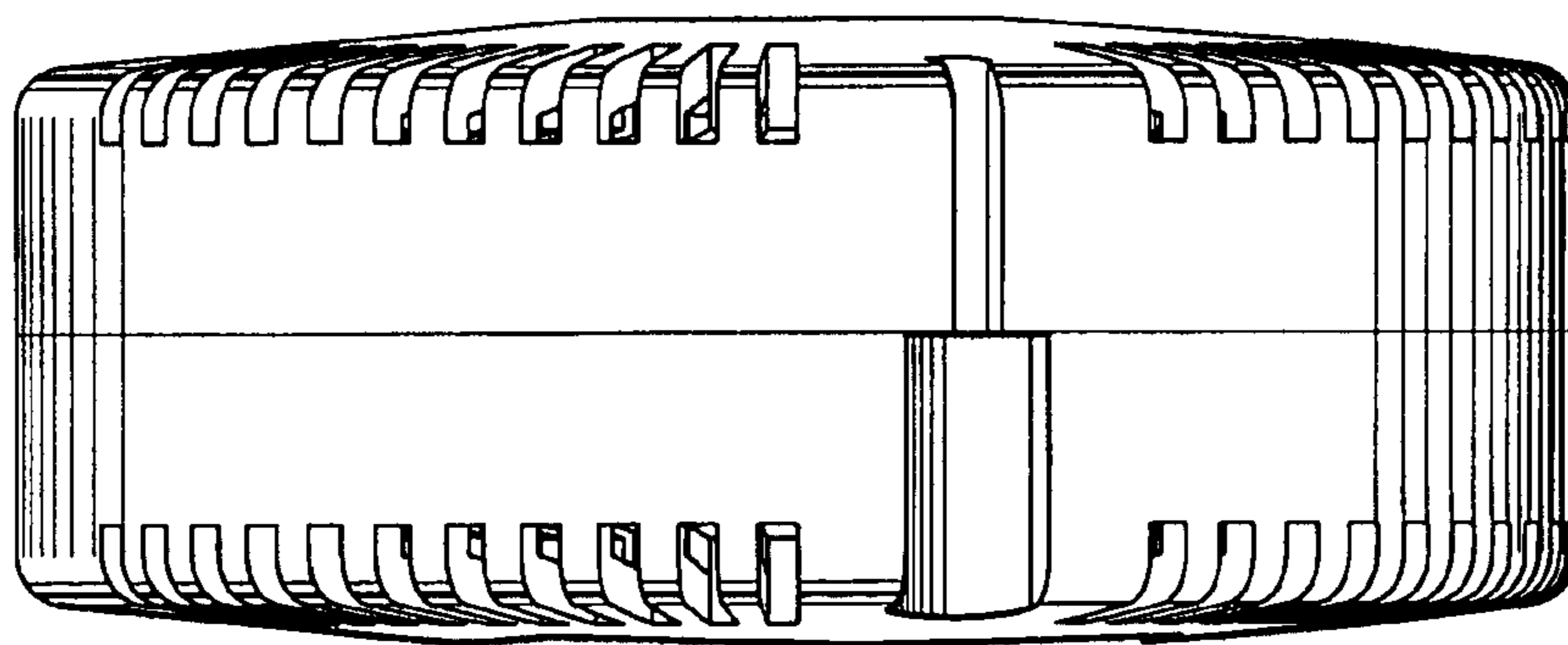


FIG 4

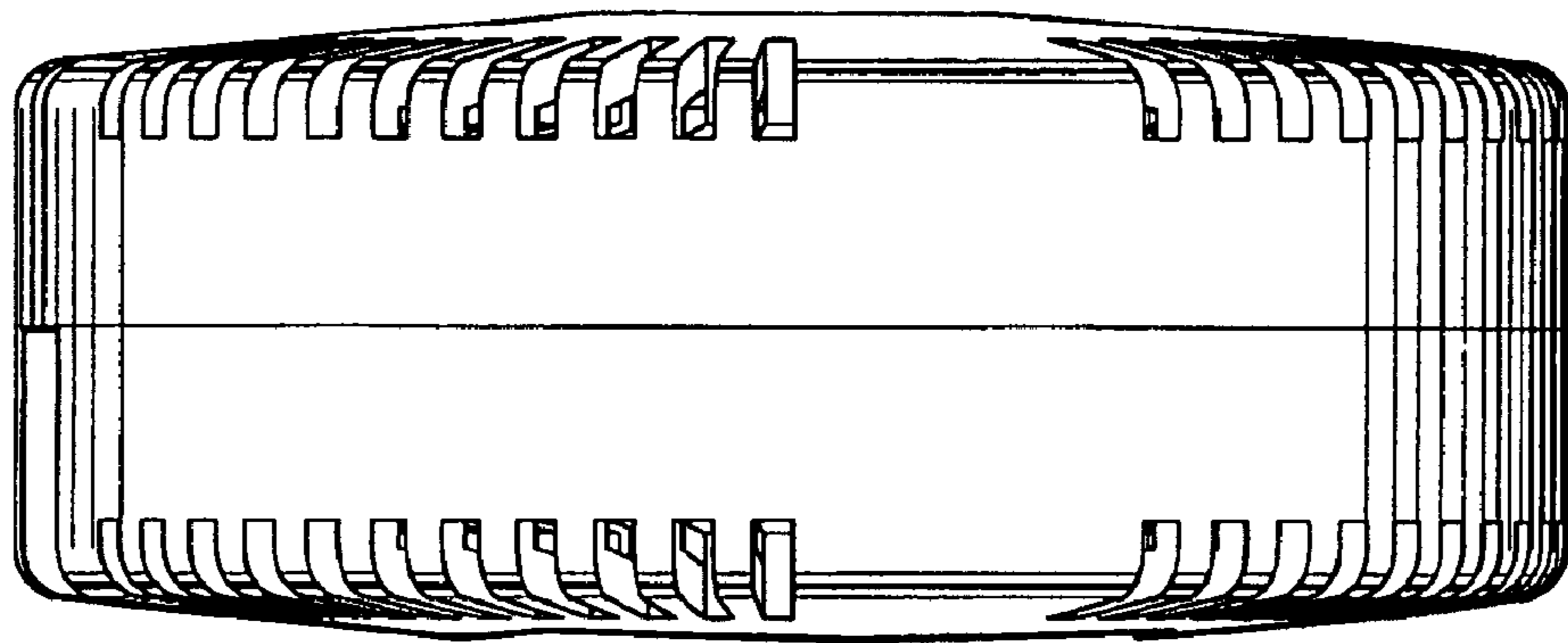


FIG. 5

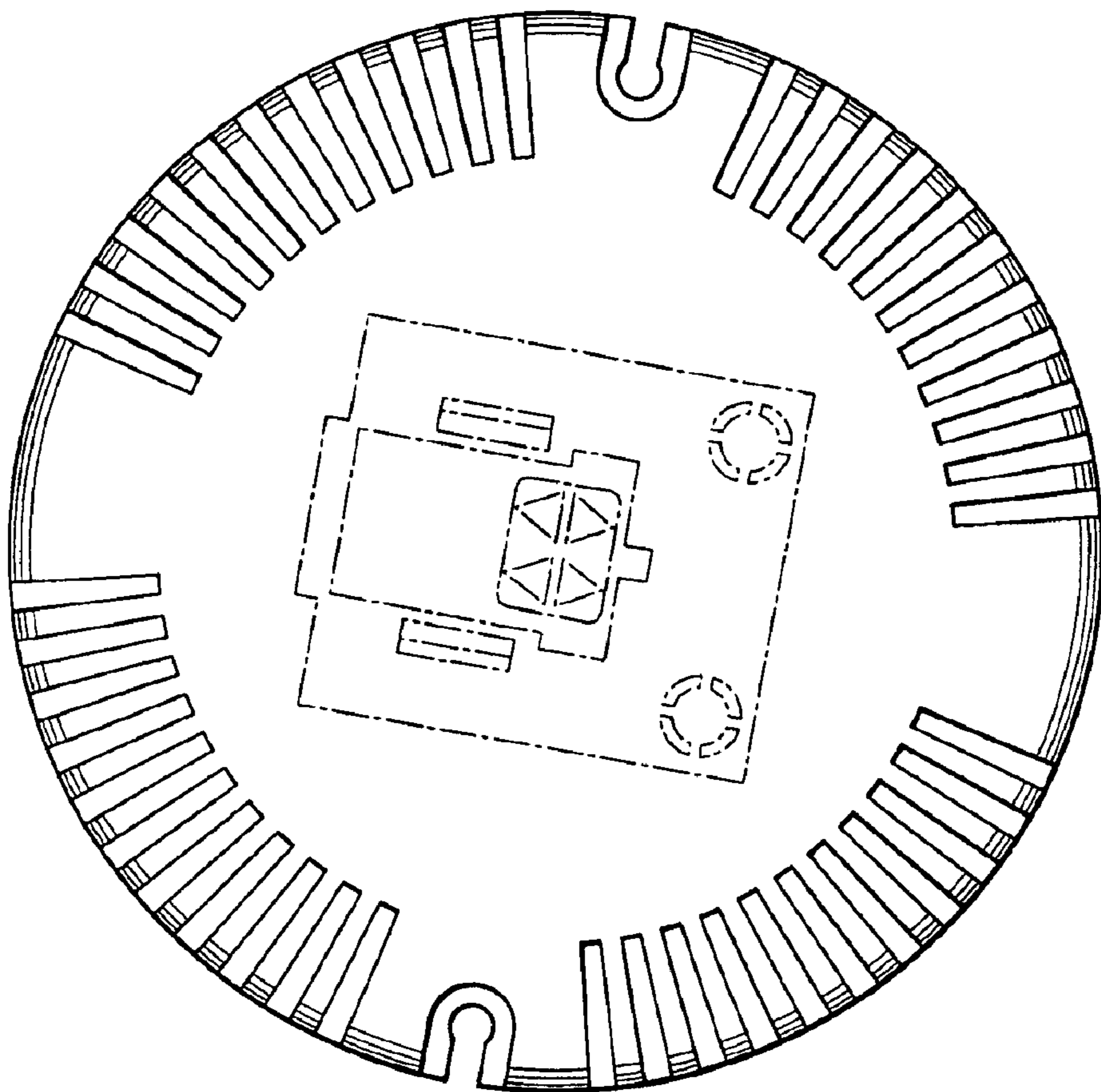


FIG 6