

US00D503823S

(12) **United States Design Patent**
Yurich

(10) **Patent No.:** **US D503,823 S**
(45) **Date of Patent:** **** Apr. 5, 2005**

- (54) **LIGHT FIXTURE**
- (76) **Inventor:** **Gary D. Yurich**, 328 E. Sunnybrook Dr., Royal Oak, MI (US) 48073-2646
- (**) **Term:** **14 Years**
- (21) **Appl. No.:** **29/196,895**
- (22) **Filed:** **Jan. 7, 2004**
- (51) **LOC (7) Cl.** **26-03**
- (52) **U.S. Cl.** **D26/89; D26/85**
- (58) **Field of Search** **D26/51, 59, 72, 26/85, 88-91, 118, 128; D23/377, 379, 385; 362/147, 347, 349, 361, 311, 404, 407, 408**

- 3,374,919 A * 3/1968 De Vos 362/432
- D240,320 S 6/1976 Luminaire
- D332,151 S 12/1992 Willmorth
- D333,867 S * 3/1993 Markwardt D23/377
- D343,250 S 1/1994 Fouke et al.
- D344,606 S 2/1994 Fouke et al.
- 5,452,192 A 9/1995 Yurich
- 6,155,701 A * 12/2000 Leen 362/432
- 6,457,845 B1 10/2002 Collins et al.

* cited by examiner

Primary Examiner—Clare E Heflin
(74) *Attorney, Agent, or Firm*—Howard & Howard

(57) **CLAIM**

We claim the ornamental design for a light fixture, as shown and described.

(56) **References Cited**

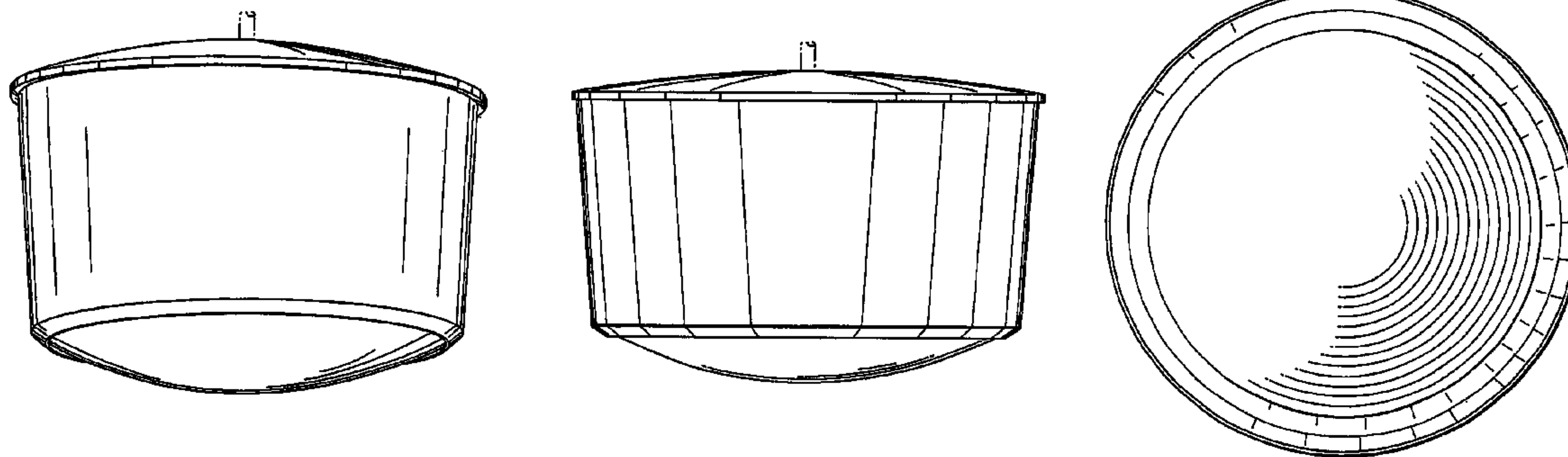
U.S. PATENT DOCUMENTS

- 1,509,559 A * 9/1924 Jennings 362/408
- 1,568,929 A * 1/1926 Whitman 362/311
- 1,786,748 A 12/1930 Gillinder
- 1,977,401 A 10/1934 Orth
- 2,043,193 A 6/1936 Dunn et al.
- D106,593 S 10/1937 Guth
- 2,129,335 A 9/1938 Poling
- D169,972 S * 7/1953 Glatthar et al. D26/89

DESCRIPTION

FIG. 1 is a perspective view from the bottom of the light fixture,
FIG. 2 is an elevational view of the side of the light fixture,
FIG. 3 is a top side view of the light fixture; and,
FIG. 4 is a bottom side view of the light fixture.
The broken lines shown on the drawings are for illustrative purposes only and form no part of the claimed design.

1 Claim, 4 Drawing Sheets



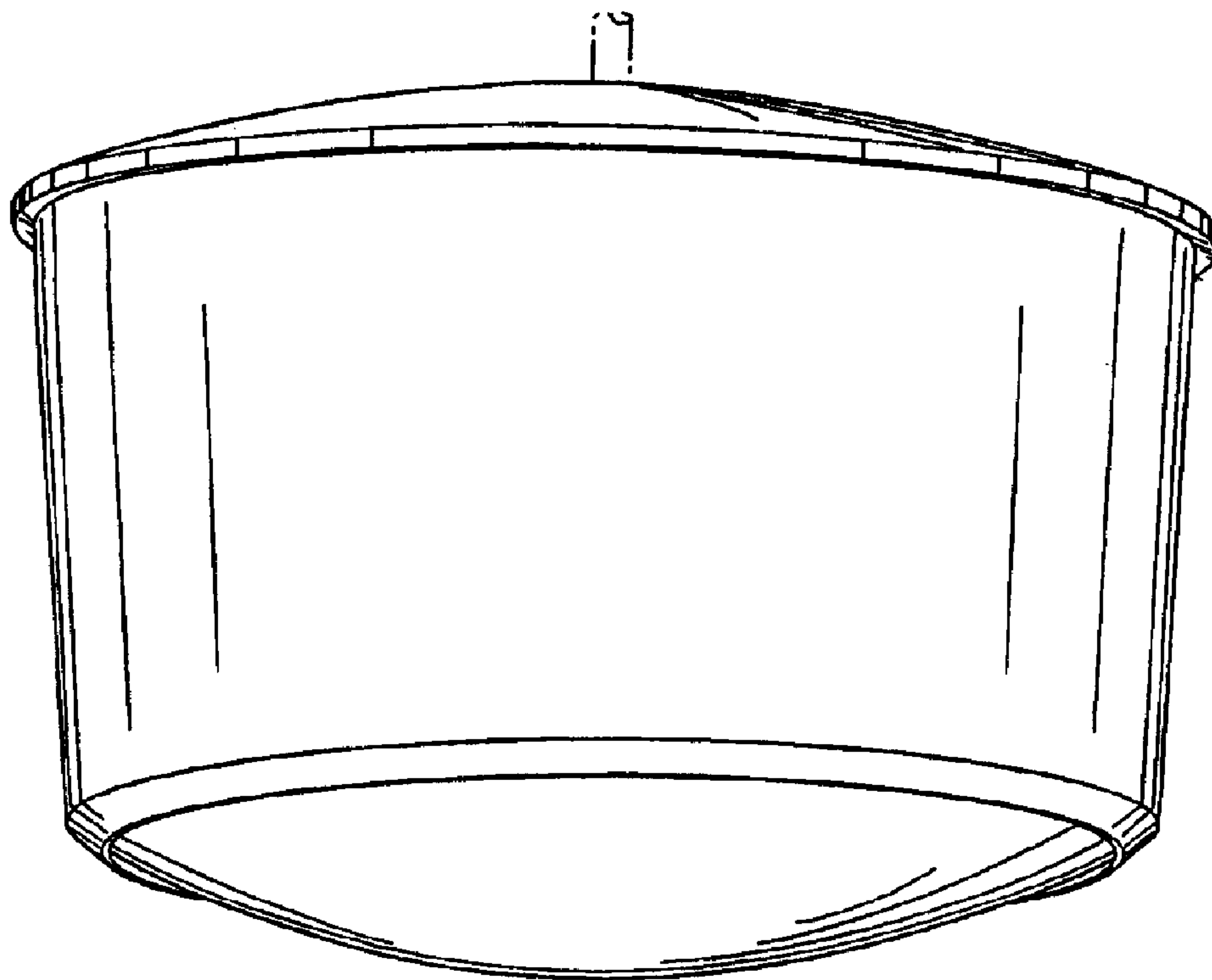


FIG - 1

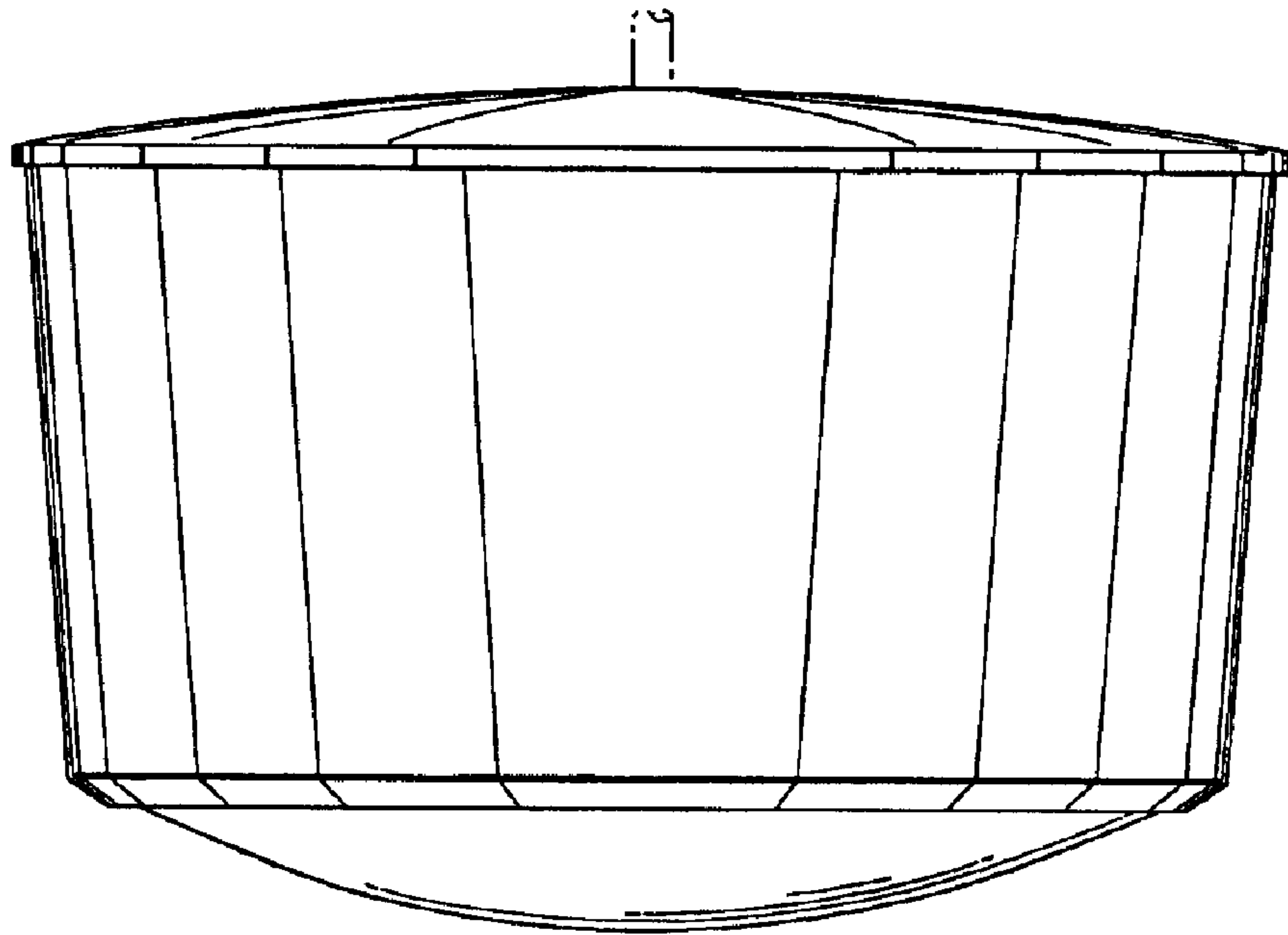


FIG - 2

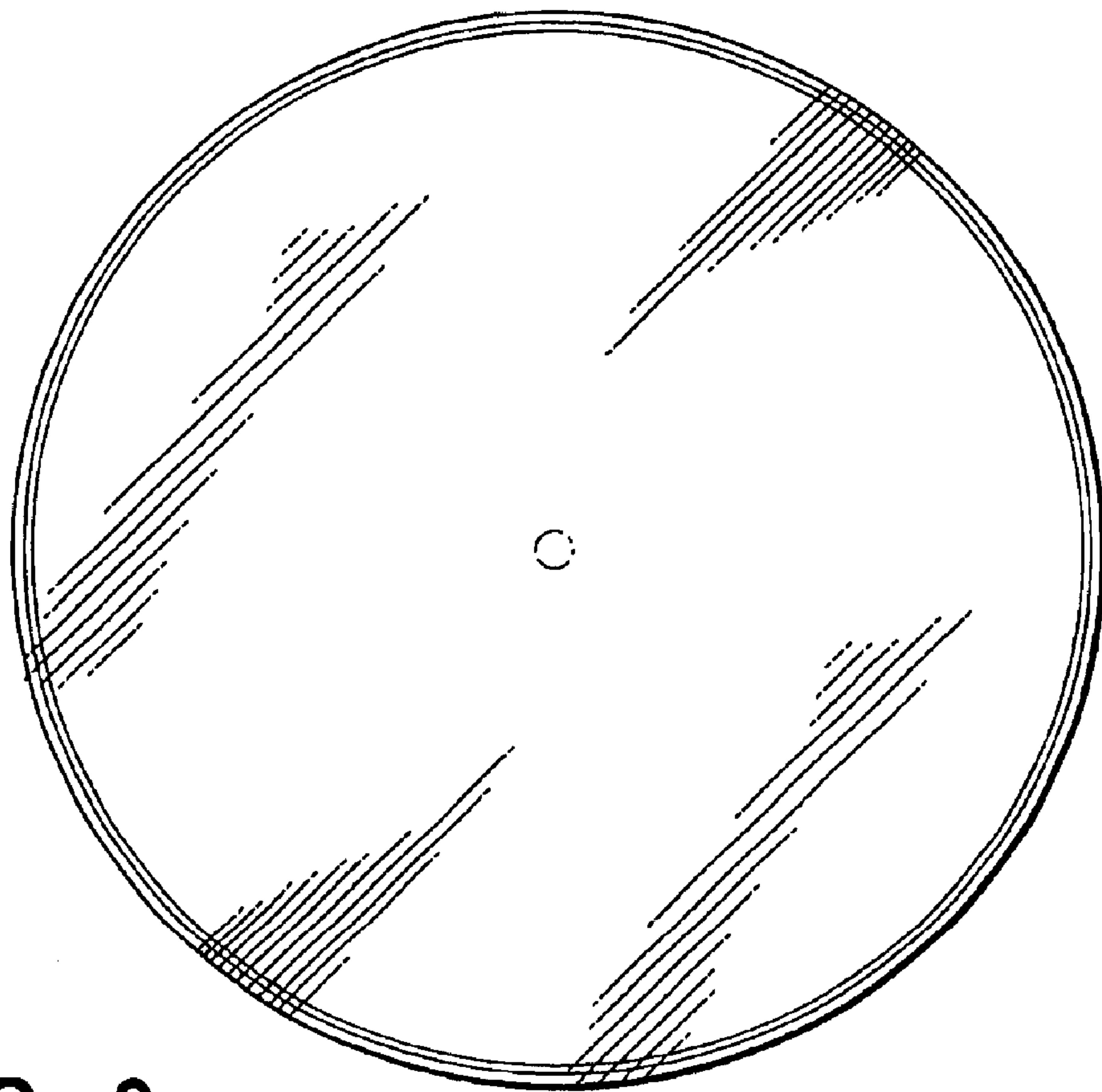


FIG - 3

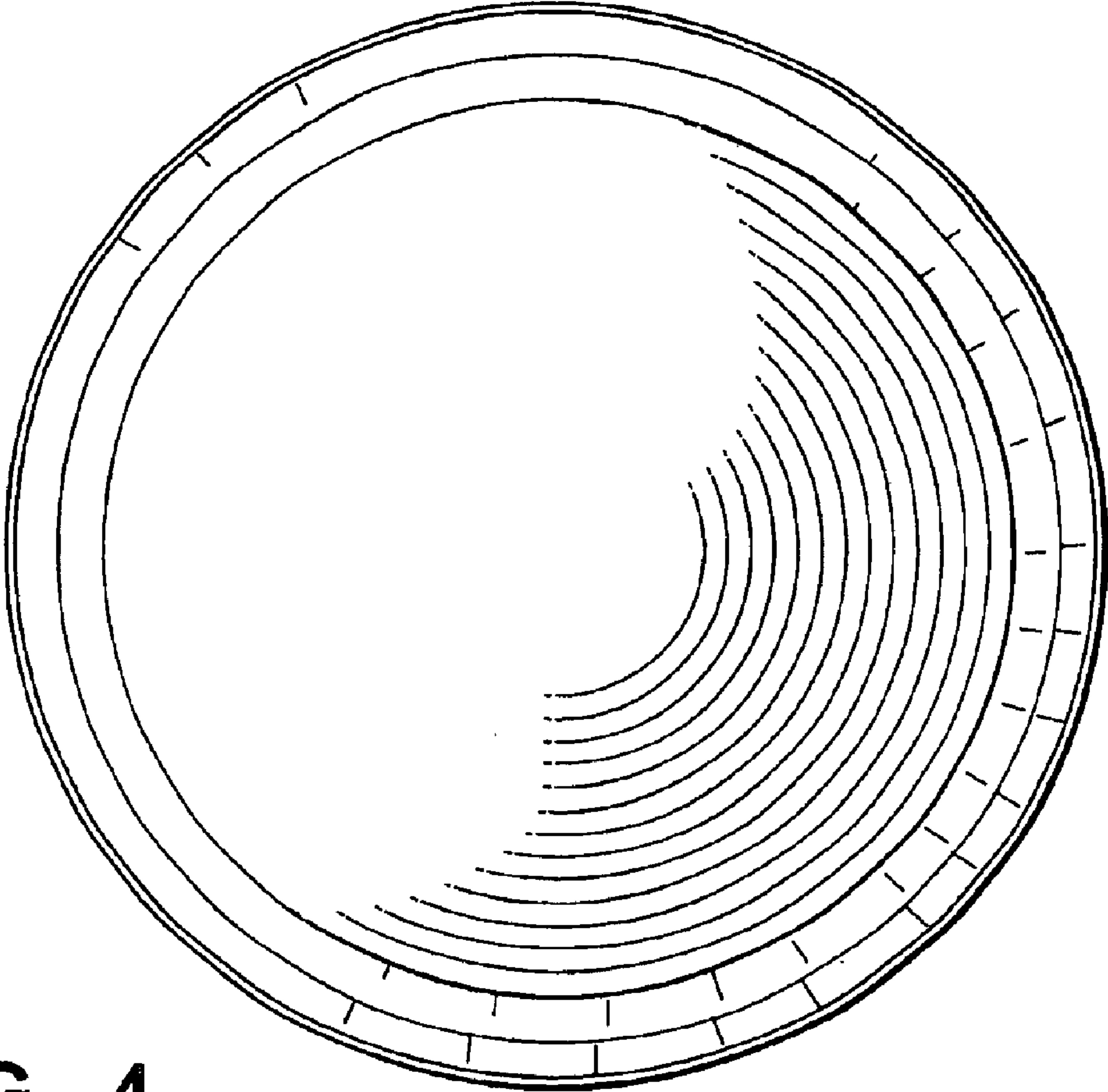


FIG - 4