



US00D503822S

(12) **United States Design Patent**
Monroe et al.

(10) **Patent No.: US D503,822 S**

(45) **Date of Patent: ** Apr. 5, 2005**

(54) **SIDE LIGHT**

(75) Inventors: **Tim Monroe**, Fairfield, CA (US); **John H. Wandrey**, Long Beach, CA (US)

(73) Assignee: **Cordelia Lighting, Inc.**, Rancho Dominguez, CA (US)

(**) Term: **14 Years**

(21) Appl. No.: **29/192,029**

(22) Filed: **Oct. 17, 2003**

(51) **LOC (7) Cl.** **26-03**

(52) **U.S. Cl.** **D26/85**

(58) **Field of Search** D26/72, 80-92;
362/147, 404-408, 426, 432

(56) **References Cited**

U.S. PATENT DOCUMENTS

2,149,635	A	*	3/1939	Shepard et al.	362/490
D206,019	S	*	10/1966	Walz	D26/87
D432,700	S	*	10/2000	Avila et al.	D26/87
D446,340	S	*	8/2001	Bradford et al.	D26/87

OTHER PUBLICATIONS

Progress Lighting Product Catalog 124 ©2000 (1 page).
Item P7150-52 on top center of p. 211.*

SeaGull Lighting 2001 Catalog (3 pages): item 4666-02 on p. 227; item 4188-32 on p. 229; and item 9396-12 on p. 340.*

* cited by examiner

Primary Examiner—Clare E Heflin

(74) *Attorney, Agent, or Firm*—Paul Y. Feng; Fulwider Patton Lee & Utecht, LLP

(57) **CLAIM**

The ornamental design for a side light, as shown and described.

DESCRIPTION

FIG. 1 is a front elevational view of our side light showing our new design;

FIG. 2 is a rear elevational view;

FIG. 3 is a top plan view;

FIG. 4 is a bottom view;

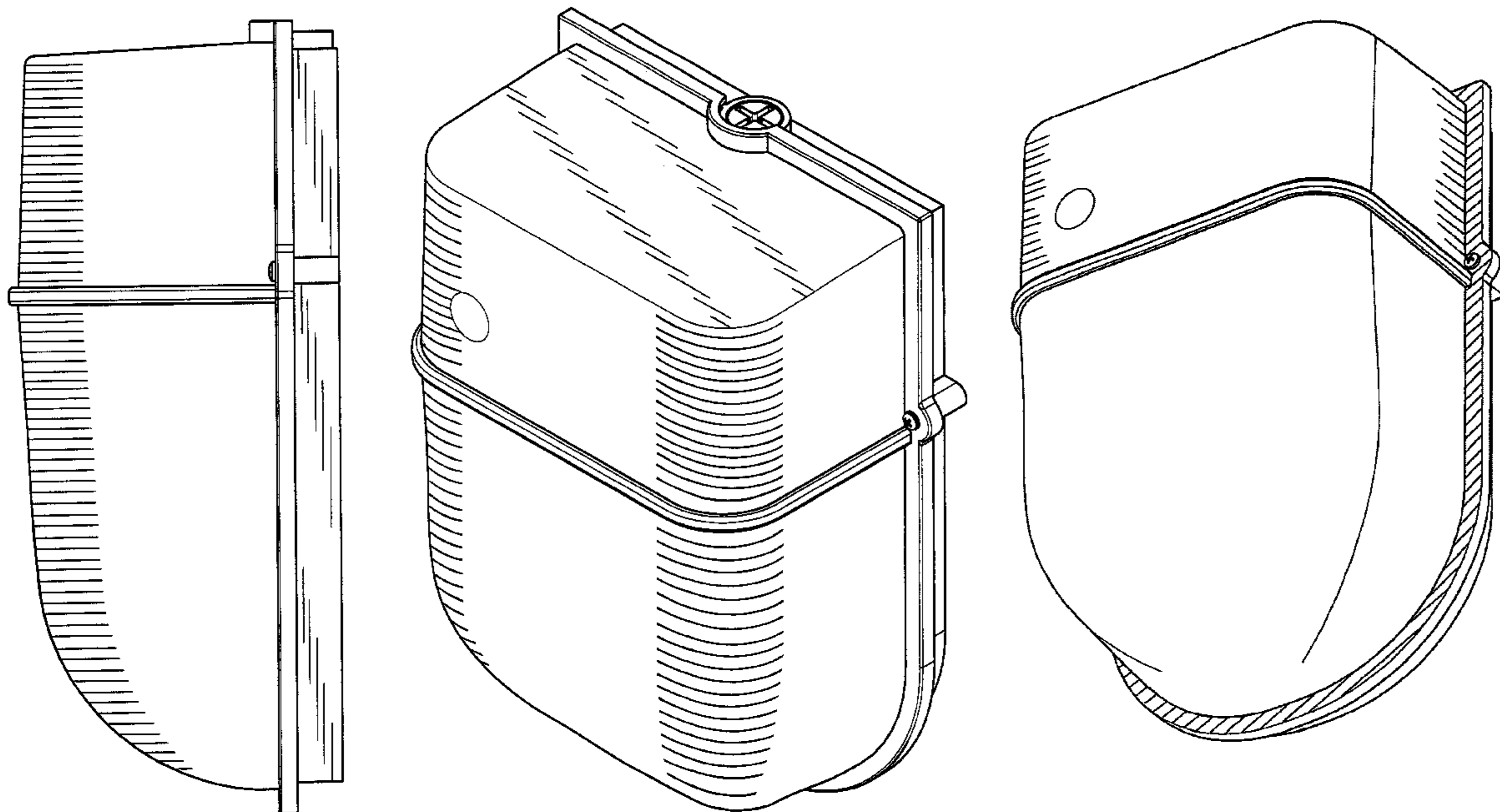
FIG. 5 is a left side elevational view;

FIG. 6 is a right side elevational view;

FIG. 7 is a top perspective view; and,

FIG. 8 is a bottom perspective view.

1 Claim, 8 Drawing Sheets



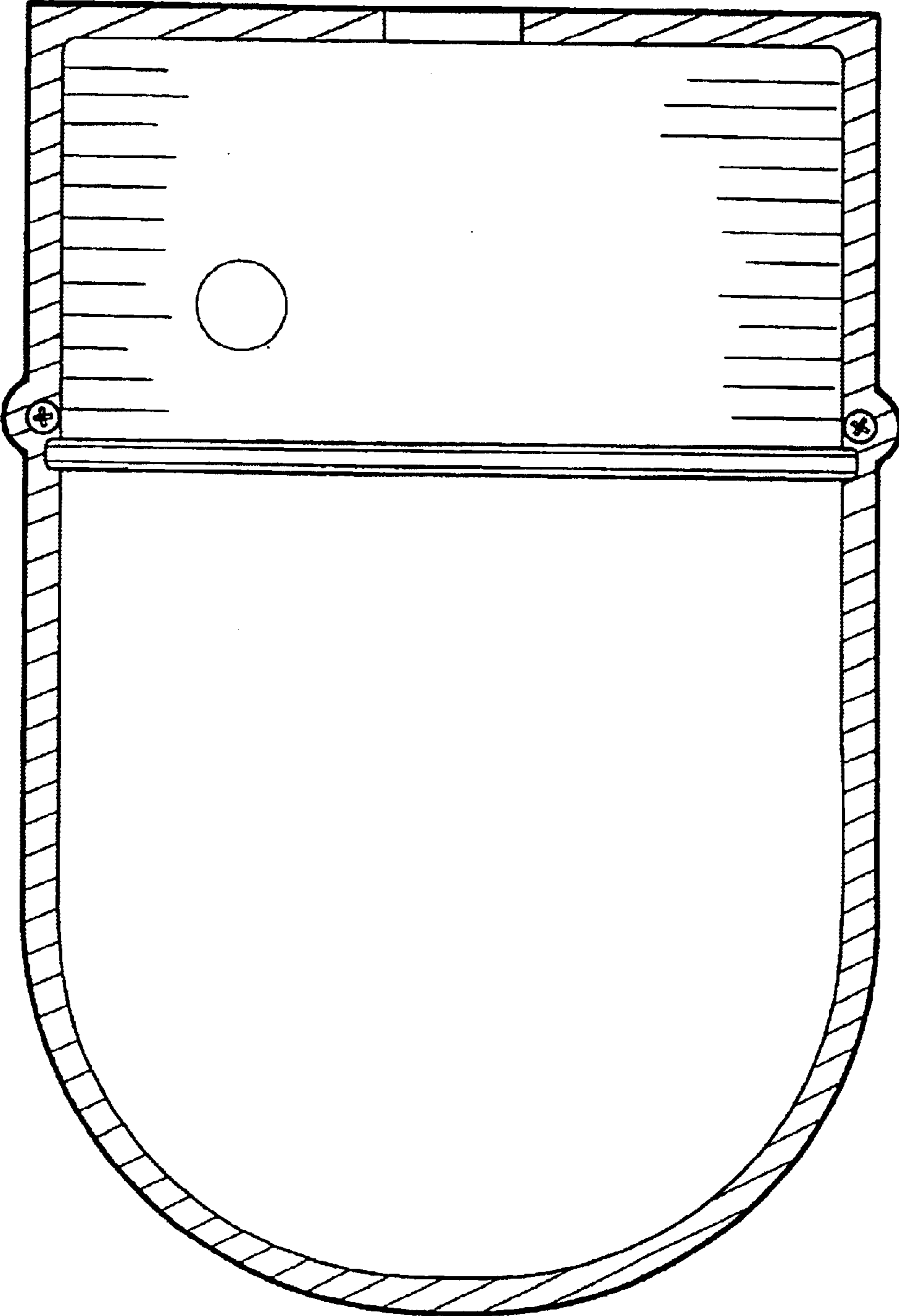


FIG. 1

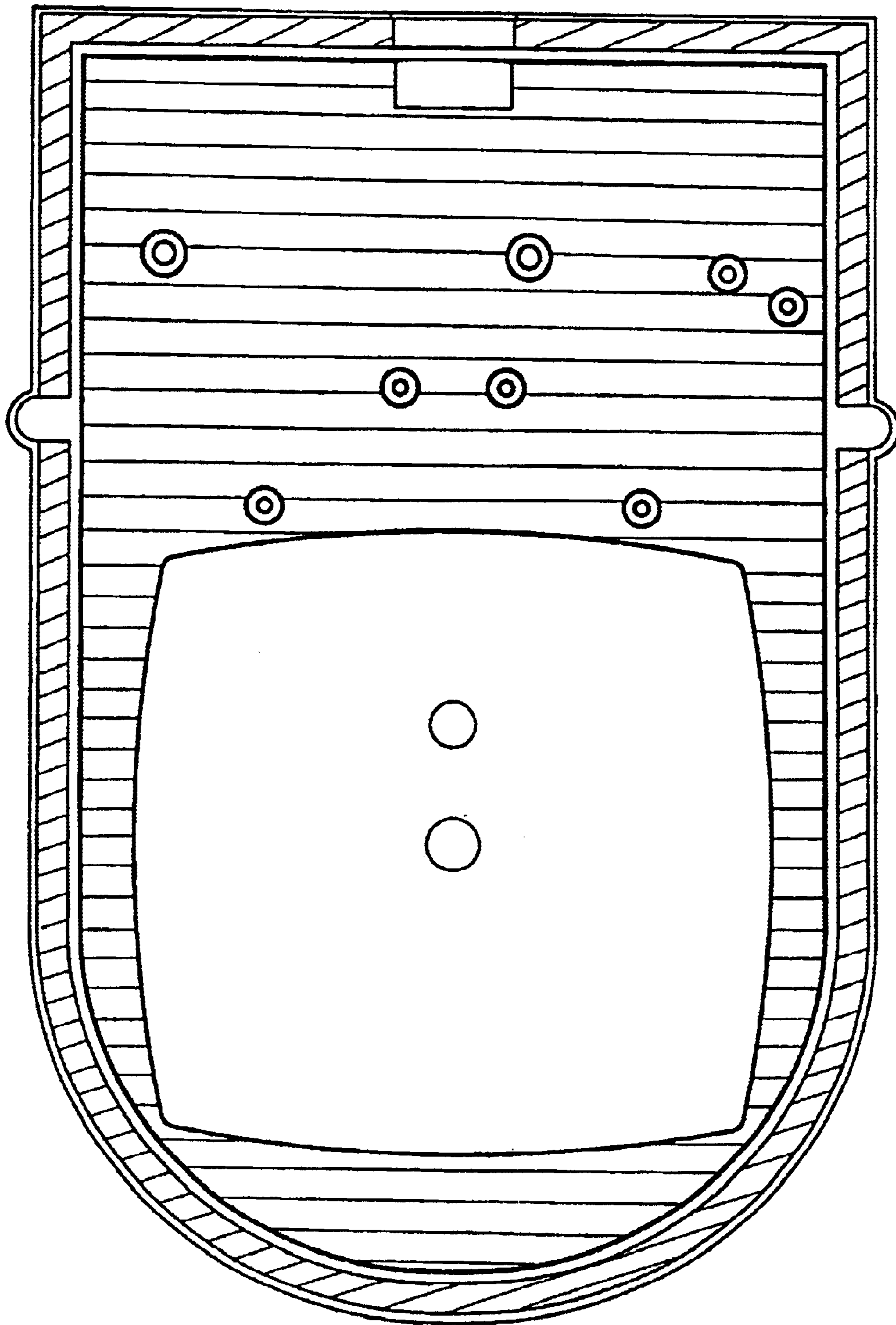


FIG. 2

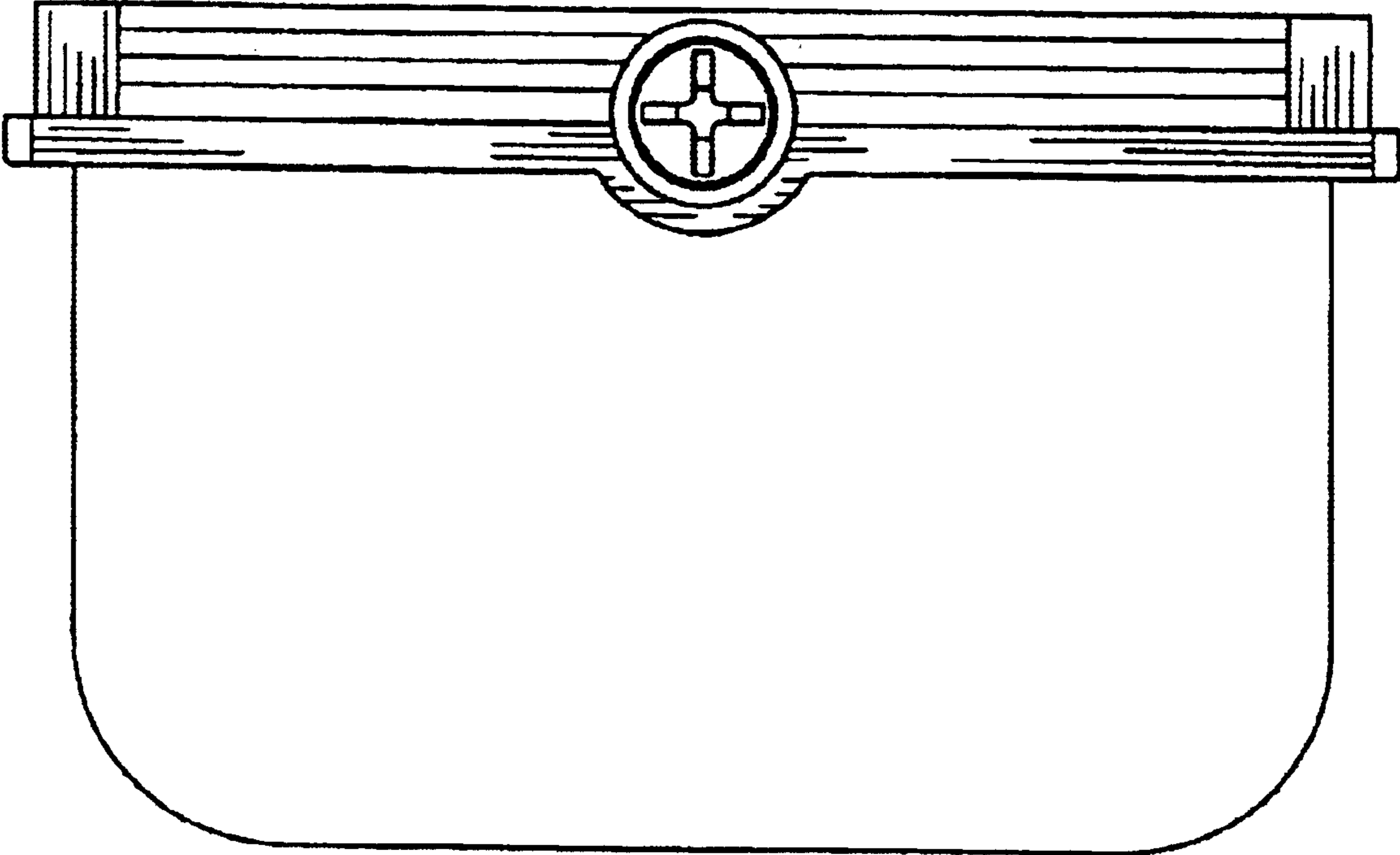


FIG. 3

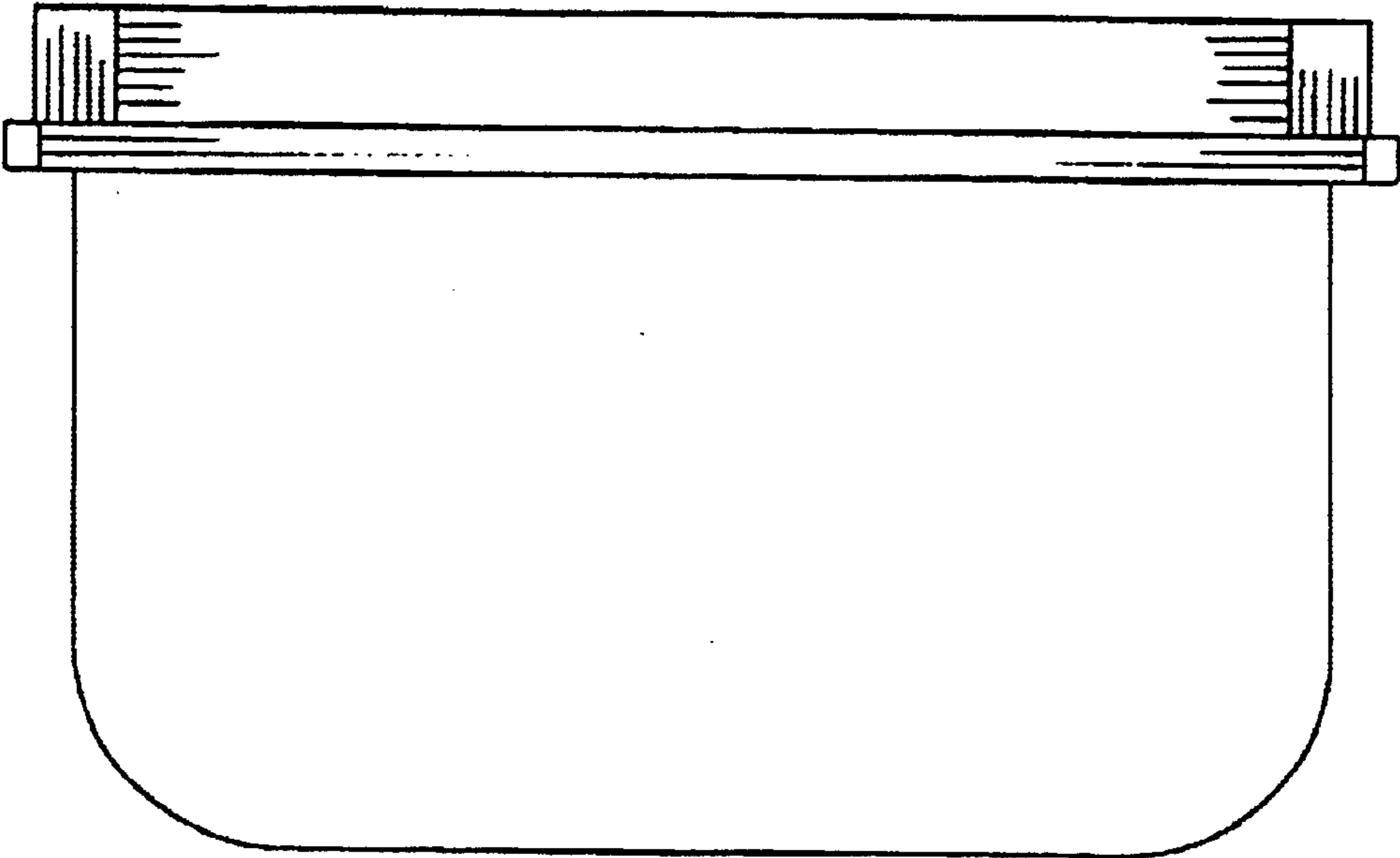


FIG. 4

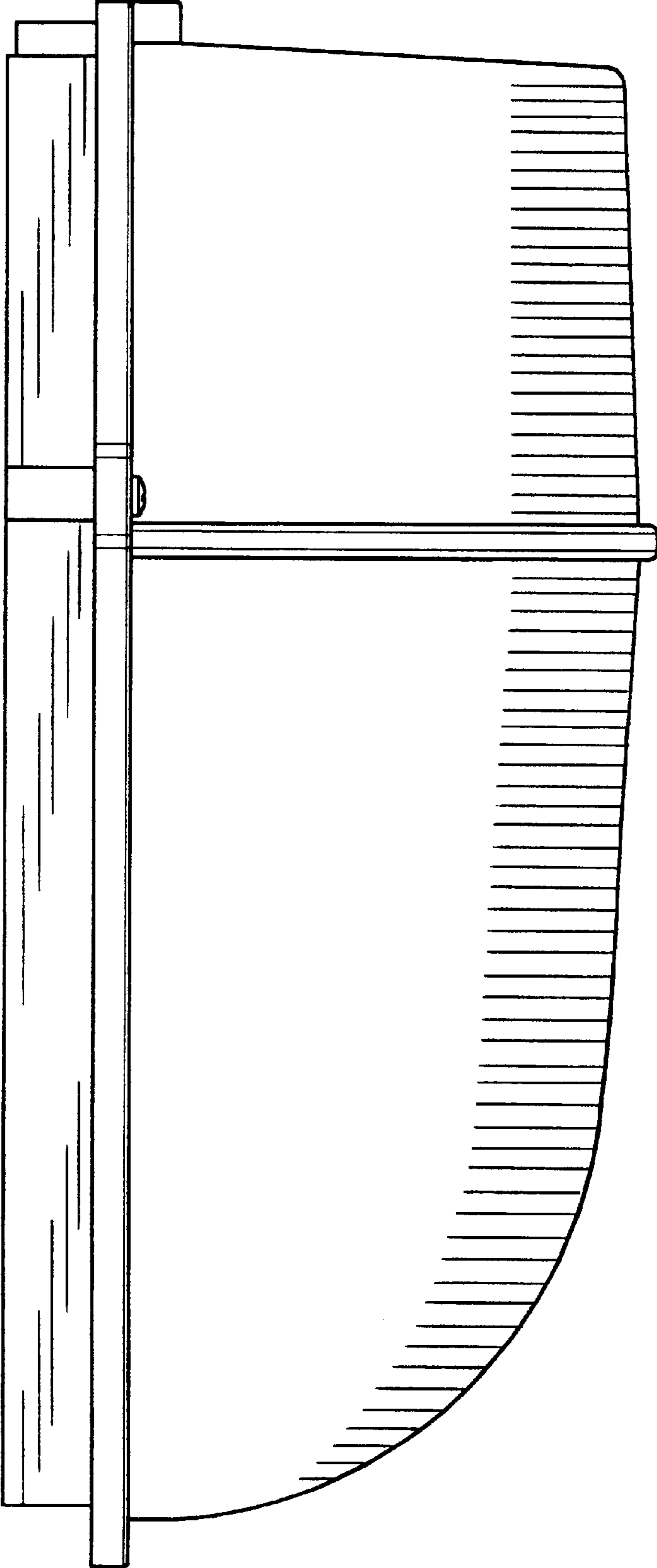


Fig. 5

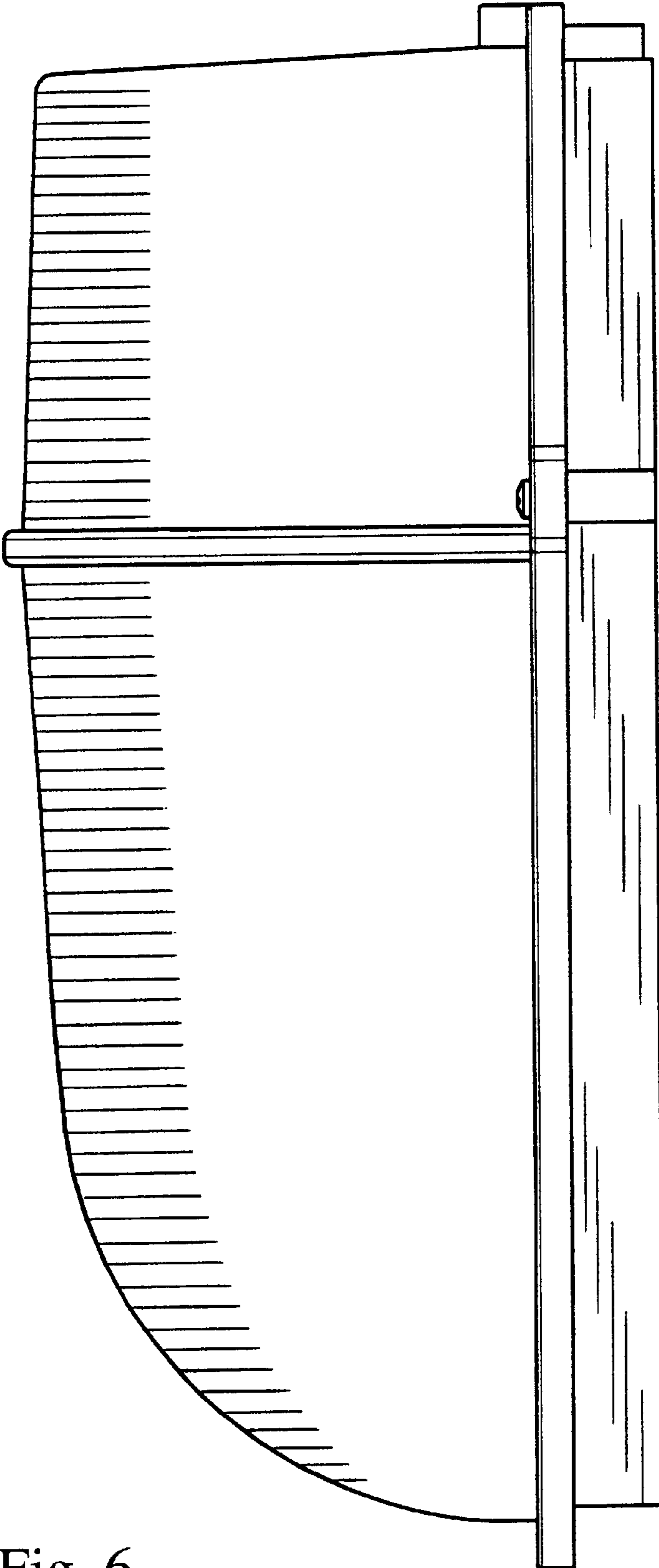


Fig. 6

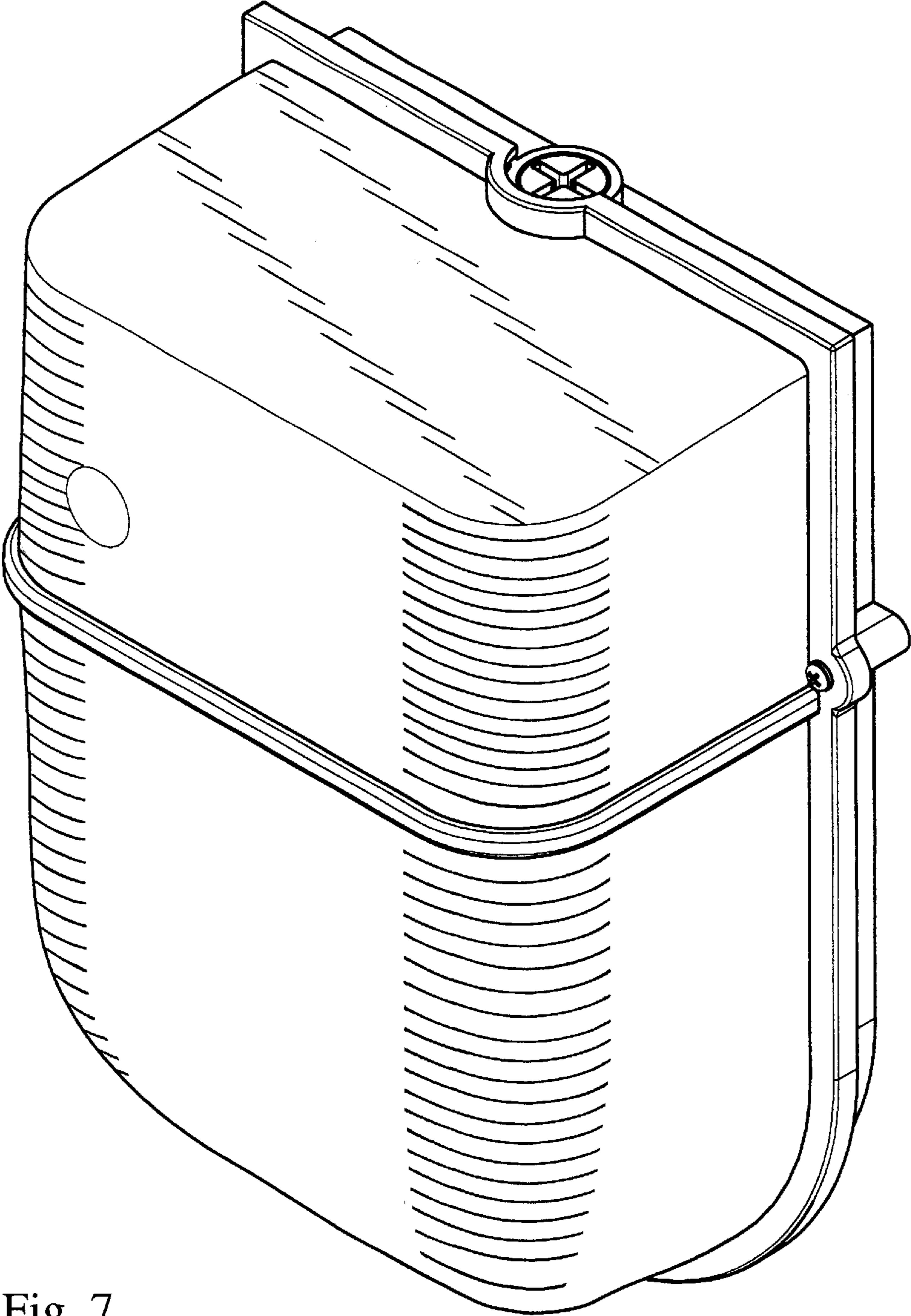


Fig. 7

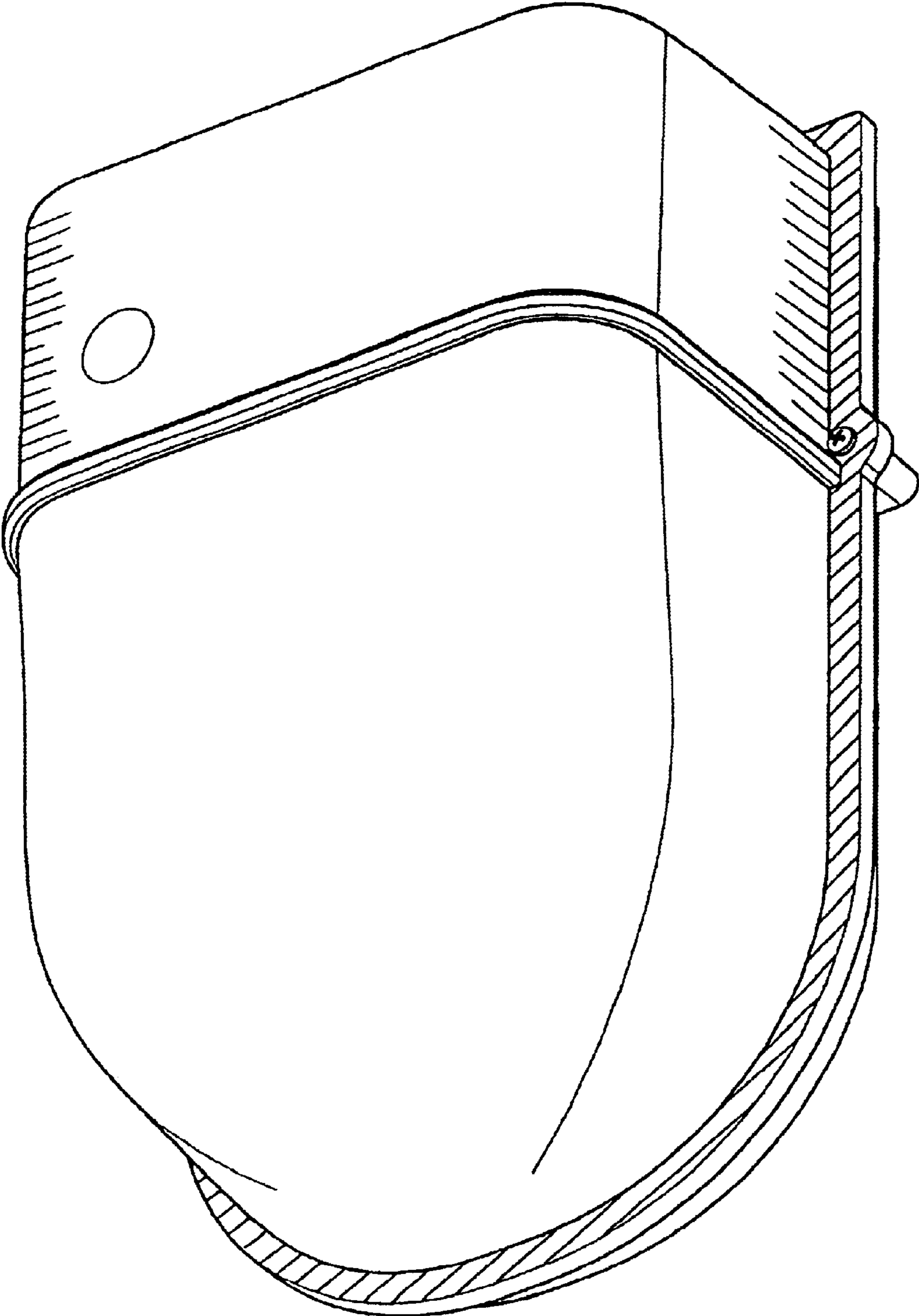


FIG. 8

UNITED STATES PATENT AND TRADEMARK OFFICE
CERTIFICATE OF CORRECTION

PATENT NO. : Des. 503,822 S
APPLICATION NO. : 29/192029
DATED : April 5, 2005
INVENTOR(S) : Tim Monroe

Page 1 of 7

It is certified that error appears in the above-identified patent and that said Letters Patent is hereby corrected as shown below:

The Title Page, showing an illustrative figure, should be deleted and substitute therefor the attached title page.

Delete drawings sheets 1-4 and 8 and substitute therefor the drawing sheets, consisting of figs. 1-4 and 8 as shown on the attached pages.

Signed and Sealed this

Second Day of October, 2007

A handwritten signature in black ink on a dotted background. The signature reads "Jon W. Dudas" in a cursive style.

JON W. DUDAS

Director of the United States Patent and Trademark Office

(12) **United States Design Patent**
Monroe et al.

(10) Patent No.: **US D503,822 S**
(45) Date of Patent: **** Apr. 5, 2005**

(54) **SIDE LIGHT**

(75) Inventors: **Tim Monroe, Fairfield, CA (US); John H. Wandrey, Long Beach, CA (US)**

(73) Assignee: **Cordella Lighting, Inc., Rancho Dominguez, CA (US)**

(**) Term: **14 Years**

(21) Appl. No.: **29/192,029**

(22) Filed: **Oct. 17, 2003**

(51) LOC (7) Cl. **26-03**

(52) U.S. Cl. **D26/85**

(58) Field of Search **D26/72, 80-92; 362/147, 404-408, 426, 432**

(56) **References Cited**

U.S. PATENT DOCUMENTS

2,149,635 A	*	3/1939	Shepard et al.	362/490
D206,019 S	*	10/1966	Walz	D26/87
D432,700 S	*	10/2000	Avila et al.	D26/87
D446,340 S	*	3/2001	Bradford et al.	D26/87

OTHER PUBLICATIONS

Progress Lighting Product Catalog 124 ©2000 (1 page). Item P7150-52 on top center of p. 211.*

SeaGull Lighting 2001 Catalog (3 pages): item 4666-02 on p. 227; item 4188-32 on p. 229; and item 9396-12 on p. 340.*

* cited by examiner

Primary Examiner—Clare E Heflin

(74) *Attorney, Agent, or Firm*—Paul Y. Feng; Fulwider Patton Lee & Diecht, LLP

(57) **CLAIM**

The ornamental design for a side light, as shown and described.

DESCRIPTION

FIG. 1 is a front elevational view of our side light showing our new design;

FIG. 2 is a rear elevational view;

FIG. 3 is a top plan view;

FIG. 4 is a bottom view;

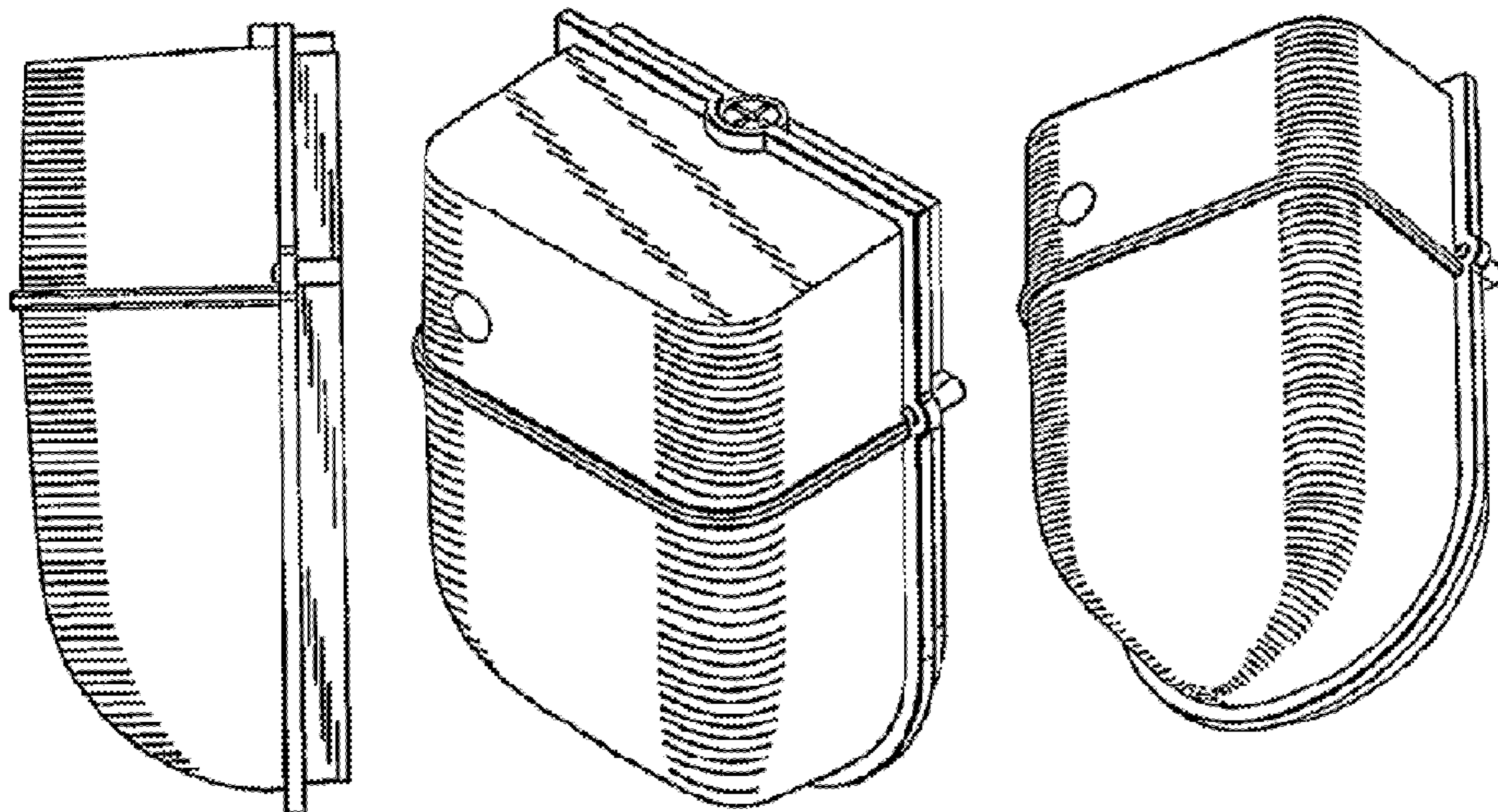
FIG. 5 is a left side elevational view;

FIG. 6 is a right side elevational view;

FIG. 7 is a top perspective view; and,

FIG. 8 is a bottom perspective view.

1 Claim, 8 Drawing Sheets



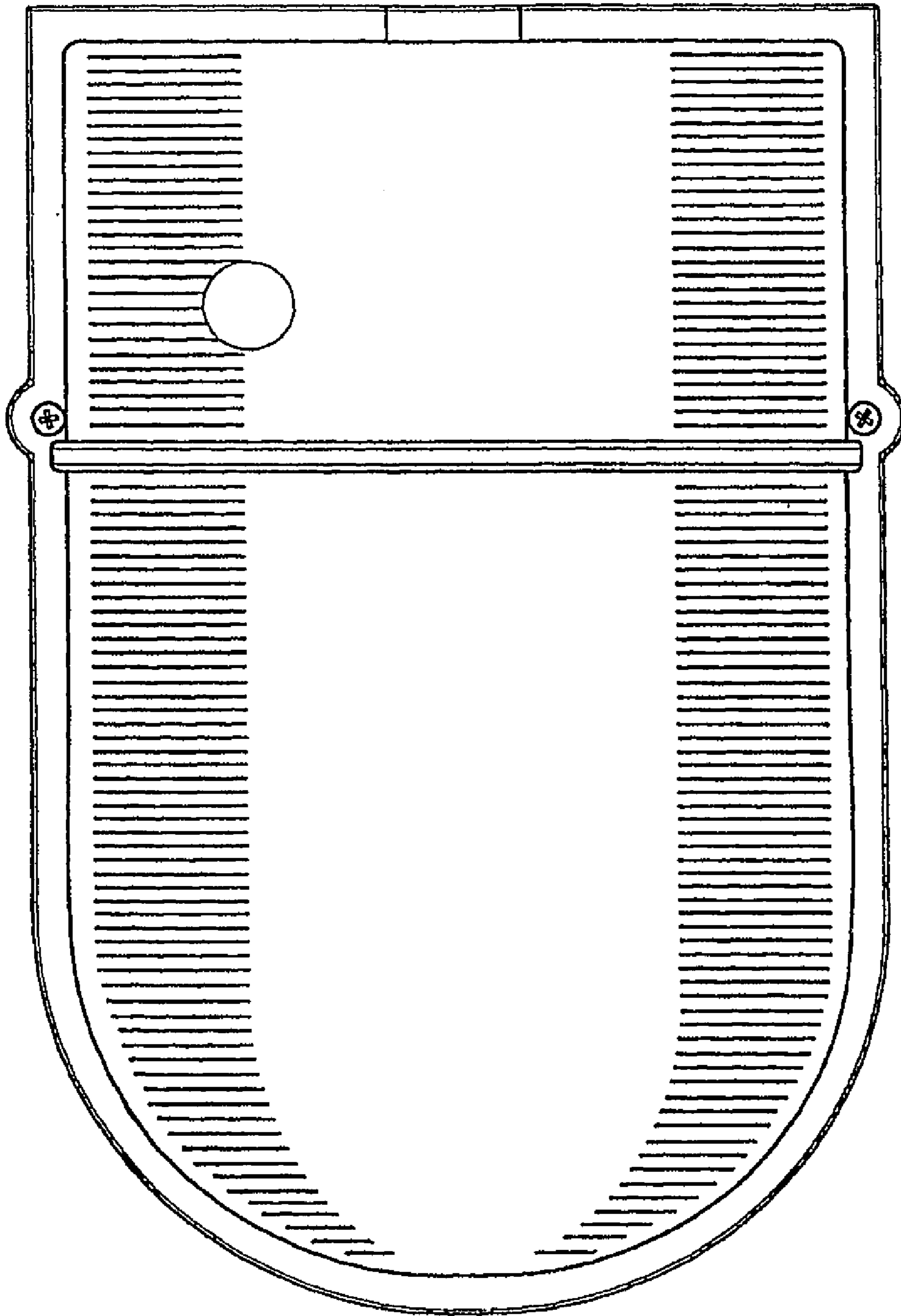


Fig. 1

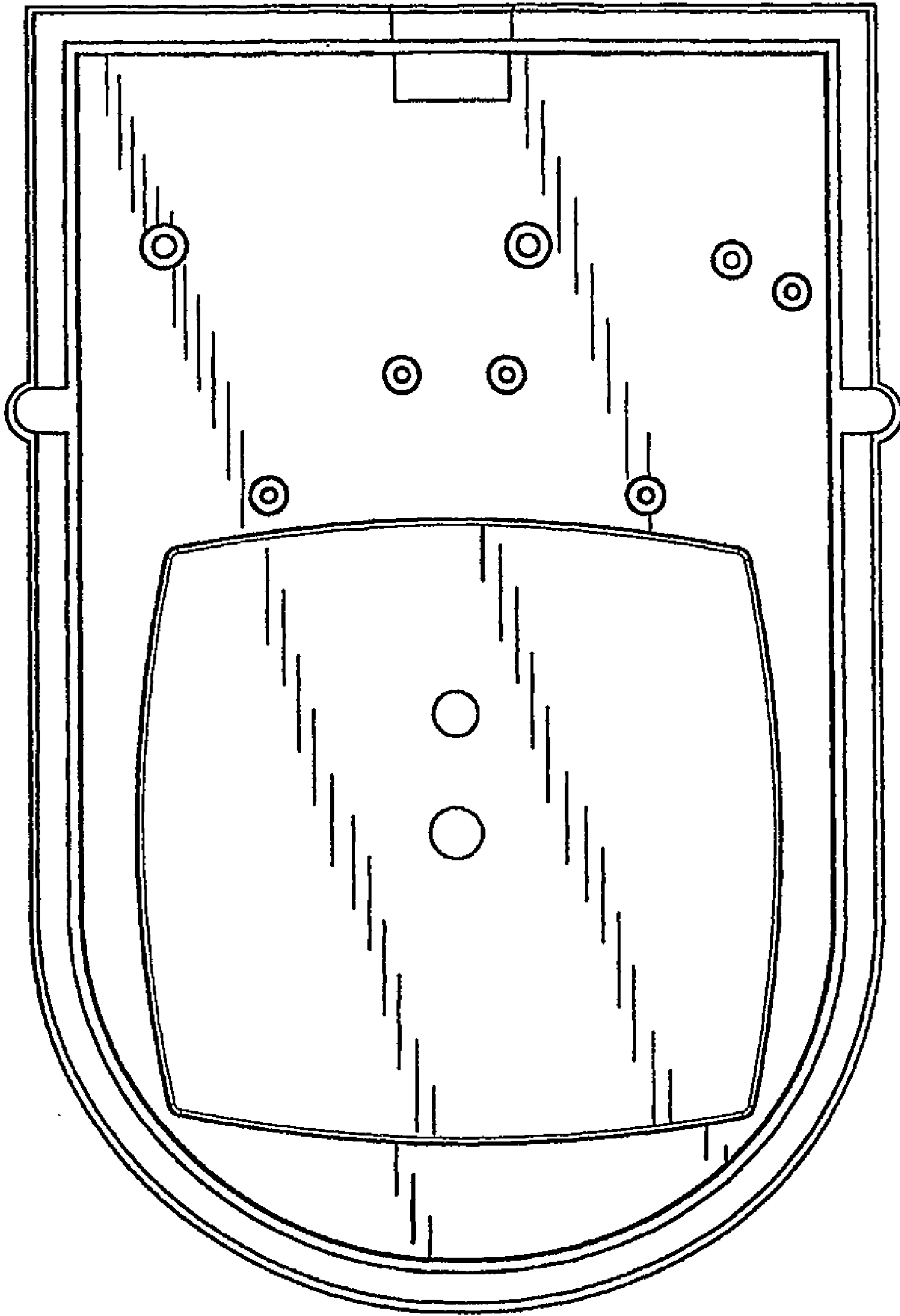


Fig. 2

U.S. Patent

Apr. 5, 2005

Sheet 3 of 8

D503,822 S

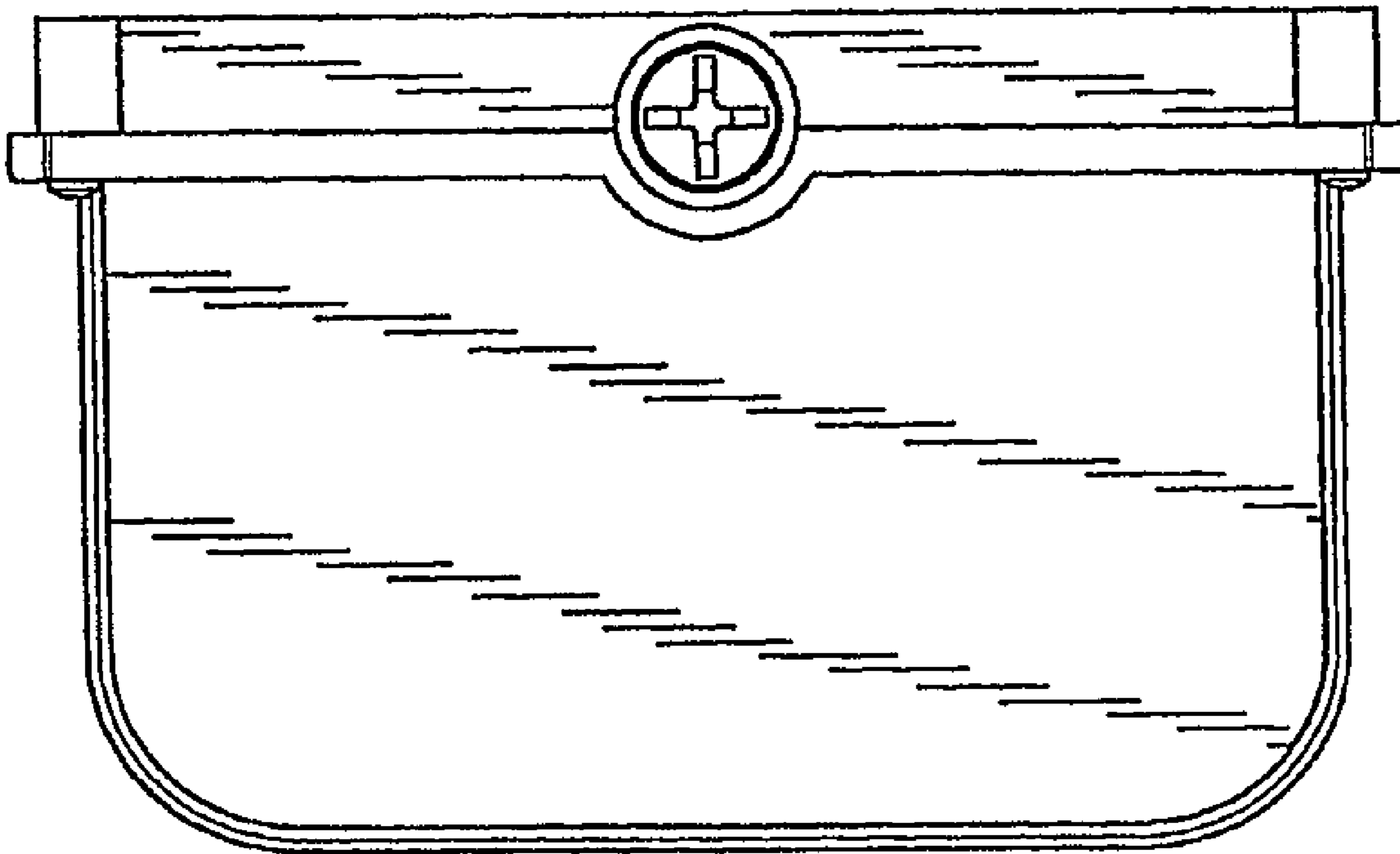


Fig. 3

U.S. Patent

Apr. 5, 2005

Sheet 4 of 8

D503,822 S

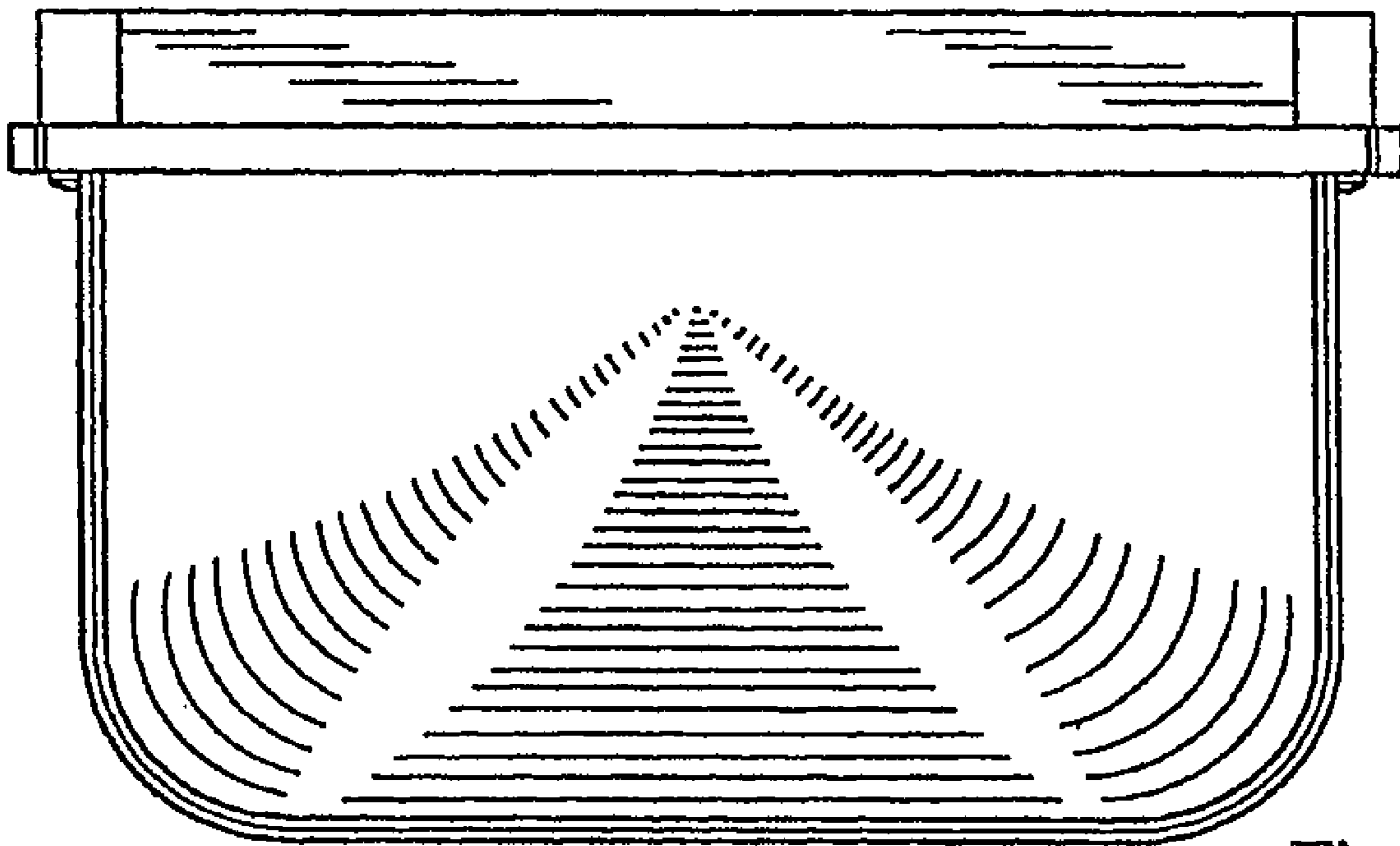


Fig. 4

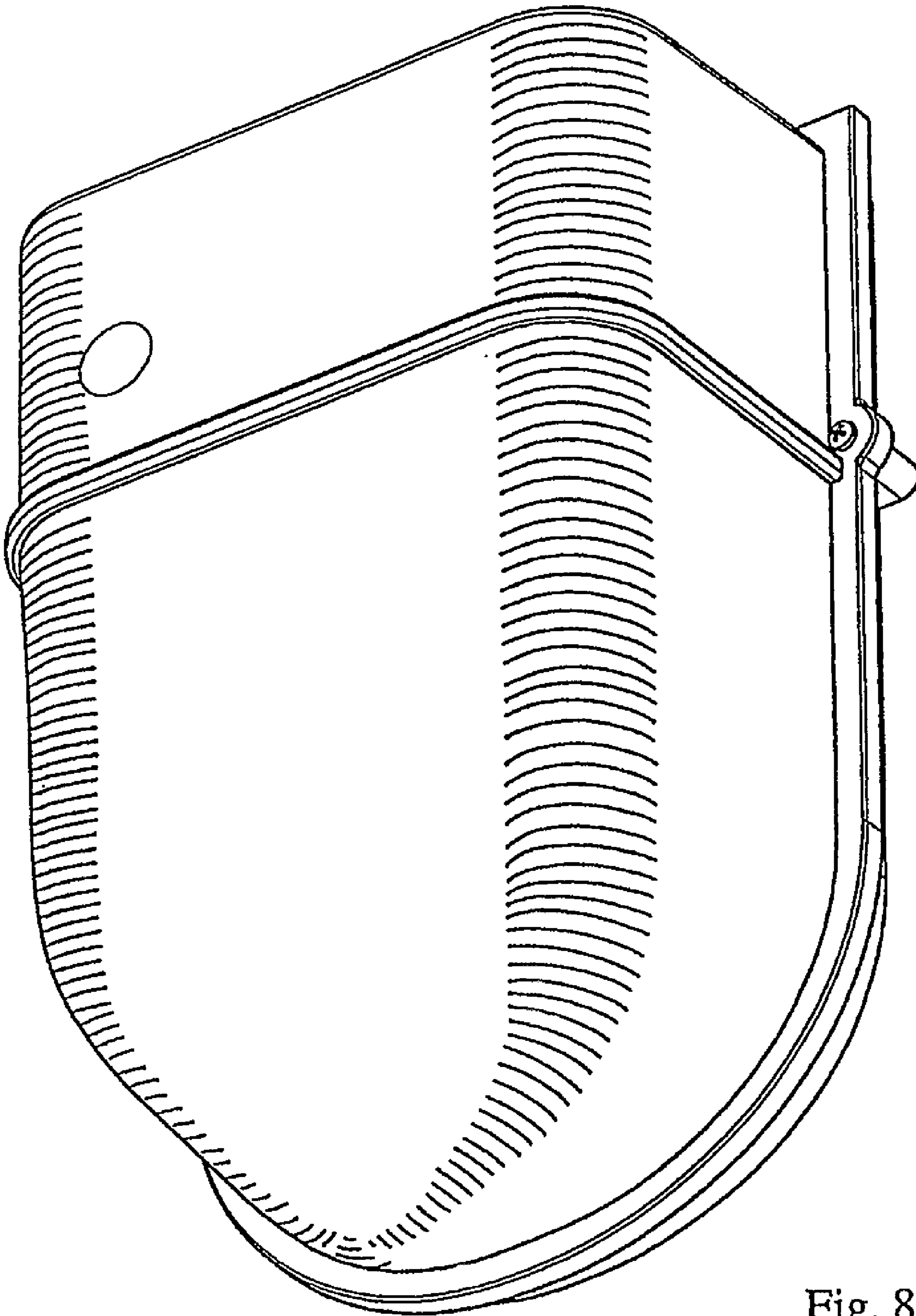


Fig. 8