

US00D503820S

(12) **United States Design Patent**
Emory et al.

(10) **Patent No.: US D503,820 S**

(45) **Date of Patent: ** *Apr. 5, 2005**

(54) **LUMINAIRE**

(76) Inventors: **Jon Mark Emory**, 520 Deerfield Dr., Newark, OH (US) 43055; **Jeffrey Douglas McClow**, 234 Trail Ct., Newark, OH (US) 43055; **Ashraf Alfayez**, 1690-A Lakeview Dr., Newark, OH (US) 43055; **Rick Martin Kelly**, 222 Derby Downs Rd., Newark, OH (US) 43055

(*) Notice: This patent is subject to a terminal disclaimer.

(**) Term: **14 Years**

(21) Appl. No.: **29/207,820**

(22) Filed: **Jun. 18, 2004**

(51) **LOC (7) Cl.** **26-05**

(52) **U.S. Cl.** **D26/71; D26/87; D26/92**

(58) **Field of Search** D26/67, 68, 71, D26/72, 80-82, 85-87, 92, 128-132, 145-147, 138, 155, 156; 362/147, 153, 153.1, 370, 431, 432, 404-408; 248/219.2

(56) **References Cited**

U.S. PATENT DOCUMENTS

- D50,603 S * 4/1917 Booth D26/131
- D104,447 S * 5/1937 Haas D26/67
- D167,680 S * 9/1952 Farrington et al. D26/145
- D173,068 S * 9/1954 Harsh D26/145

- D201,909 S * 8/1965 Harling D26/71
- D479,624 S * 9/2003 Svendsen et al. D26/155
- D494,310 S * 8/2004 Cline et al. D26/128

* cited by examiner

Primary Examiner—Clare E Heflin

(74) *Attorney, Agent, or Firm*—Needle & Rosenberg, PC.

(57) **CLAIM**

The ornamental design for a luminaire, as shown and described.

DESCRIPTION

FIG. 1 is a perspective view of a luminaire of the present invention;

FIG. 2 is a left side elevational view of the luminaire of FIG. 1, the right, opposite, side of which is a mirror image thereof;

FIG. 3 is a front elevational view of the luminaire of FIG. 1;

FIG. 4 is a rear elevational view of the luminaire of FIG. 1;

FIG. 5 is a top plan view of the luminaire of FIG. 1;

FIG. 6 is a bottom plan view of the luminaire of FIG. 1;

FIG. 7 is a perspective view of a second embodiment of the luminaire of the present invention;

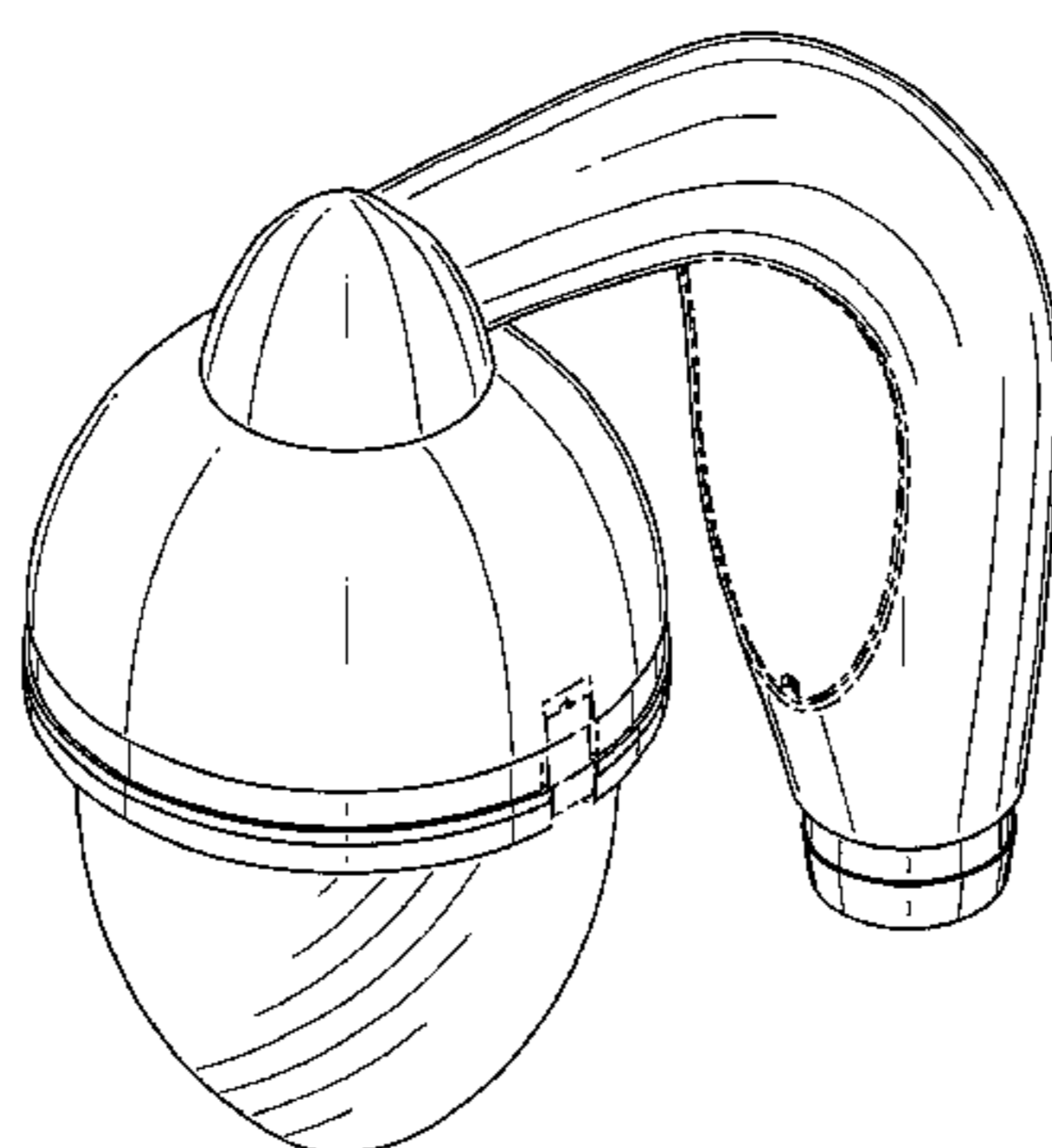
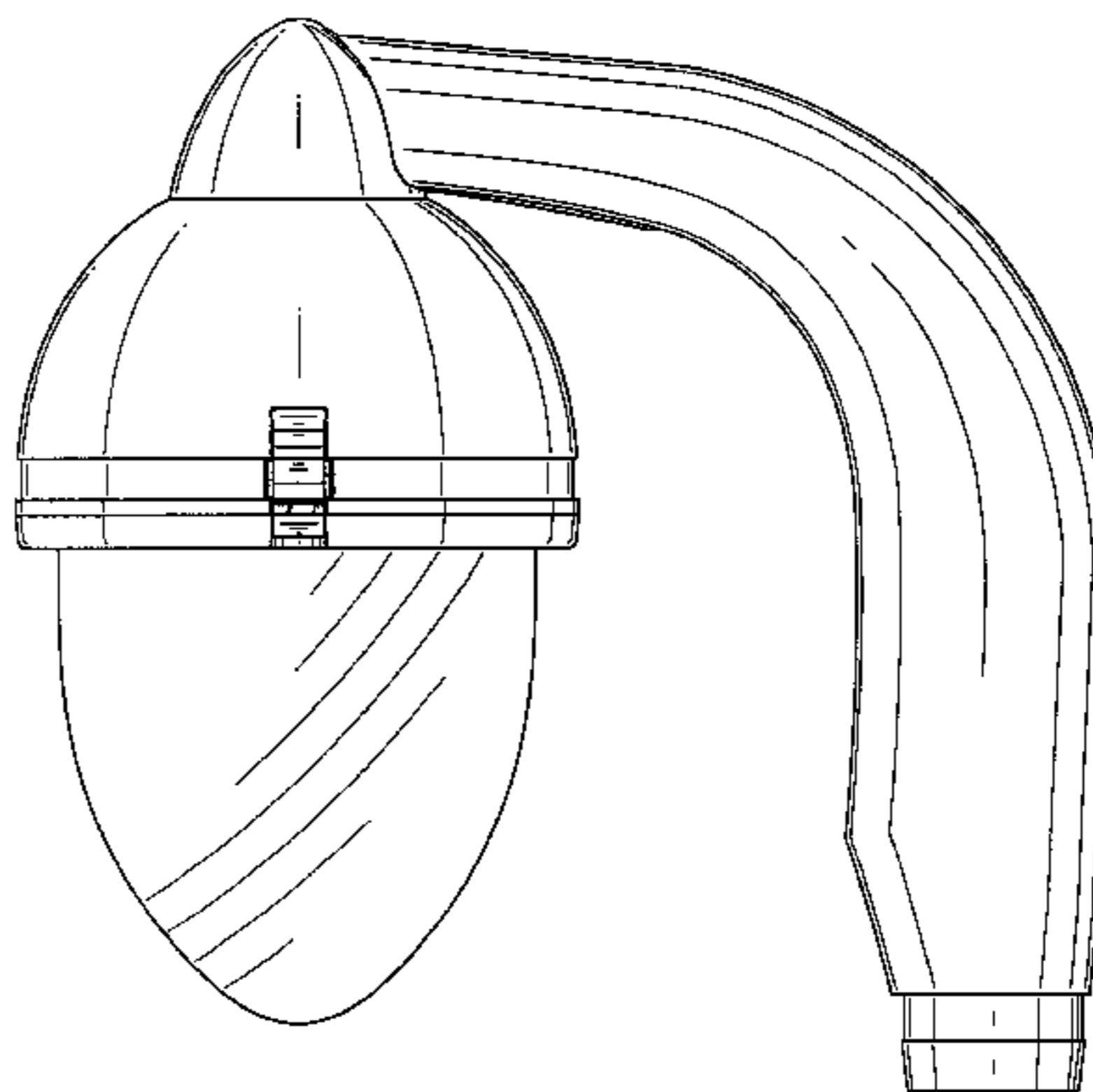
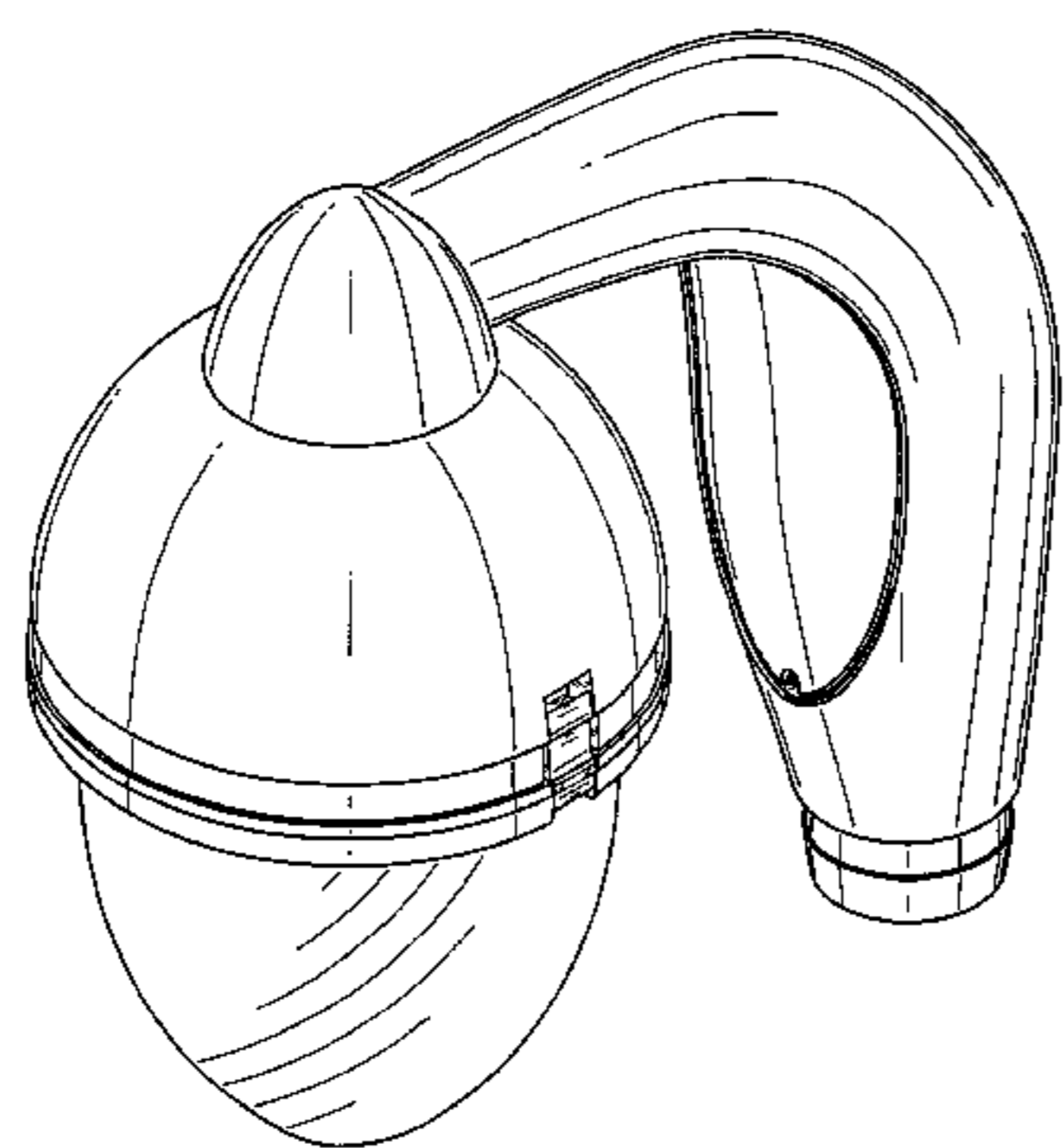
FIG. 8 is a left side elevational view of the luminaire of FIG. 7, the right, opposite, side of which is a mirror image thereof;

FIG. 9 is a top plan view of the luminaire of FIG. 7; and,

FIG. 10 is a bottom plan view of the luminaire of FIG. 7.

The broken lines shown are for illustrative purposes only and form no part of the claimed design.

1 Claim, 10 Drawing Sheets



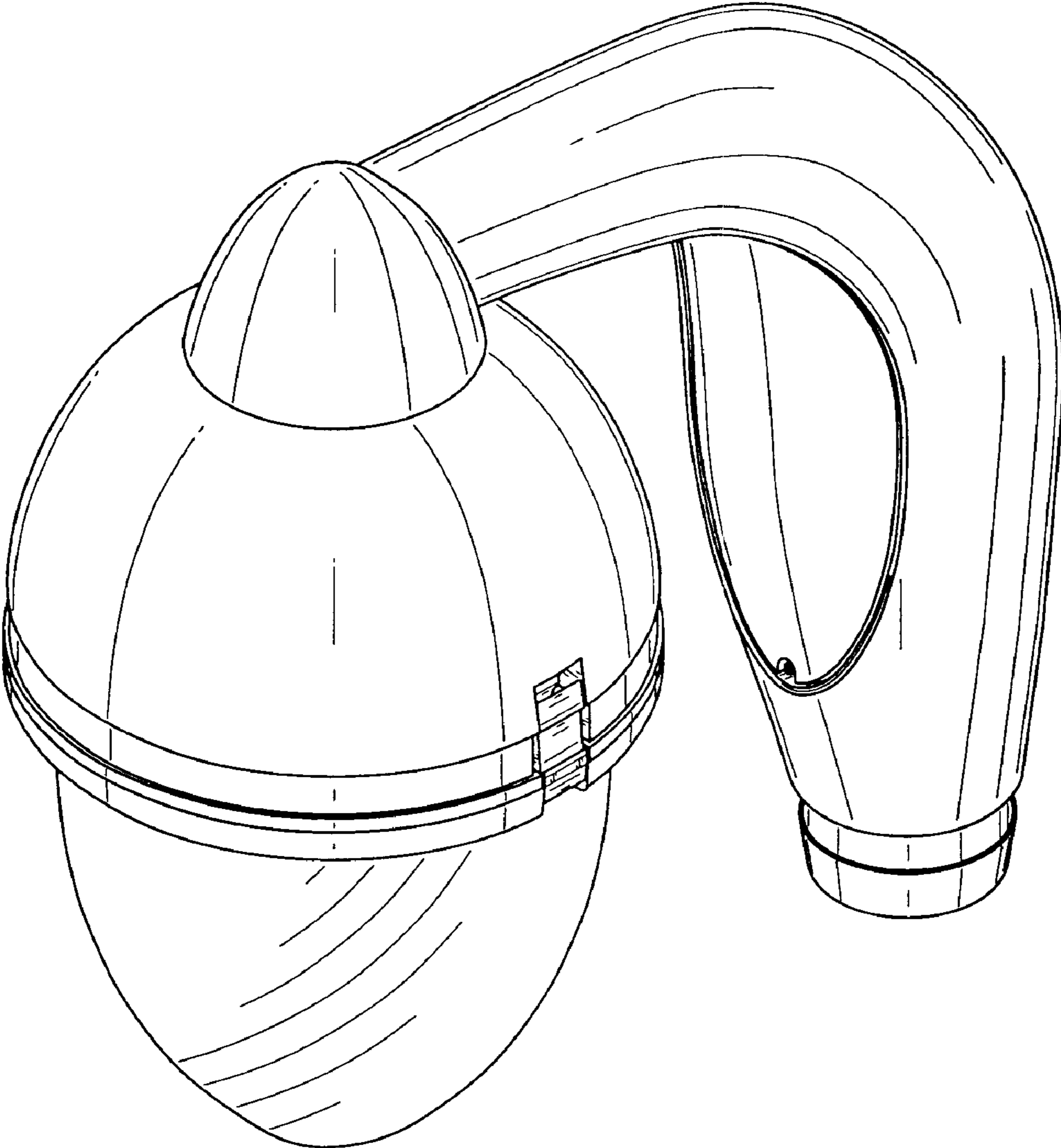


FIG. 1

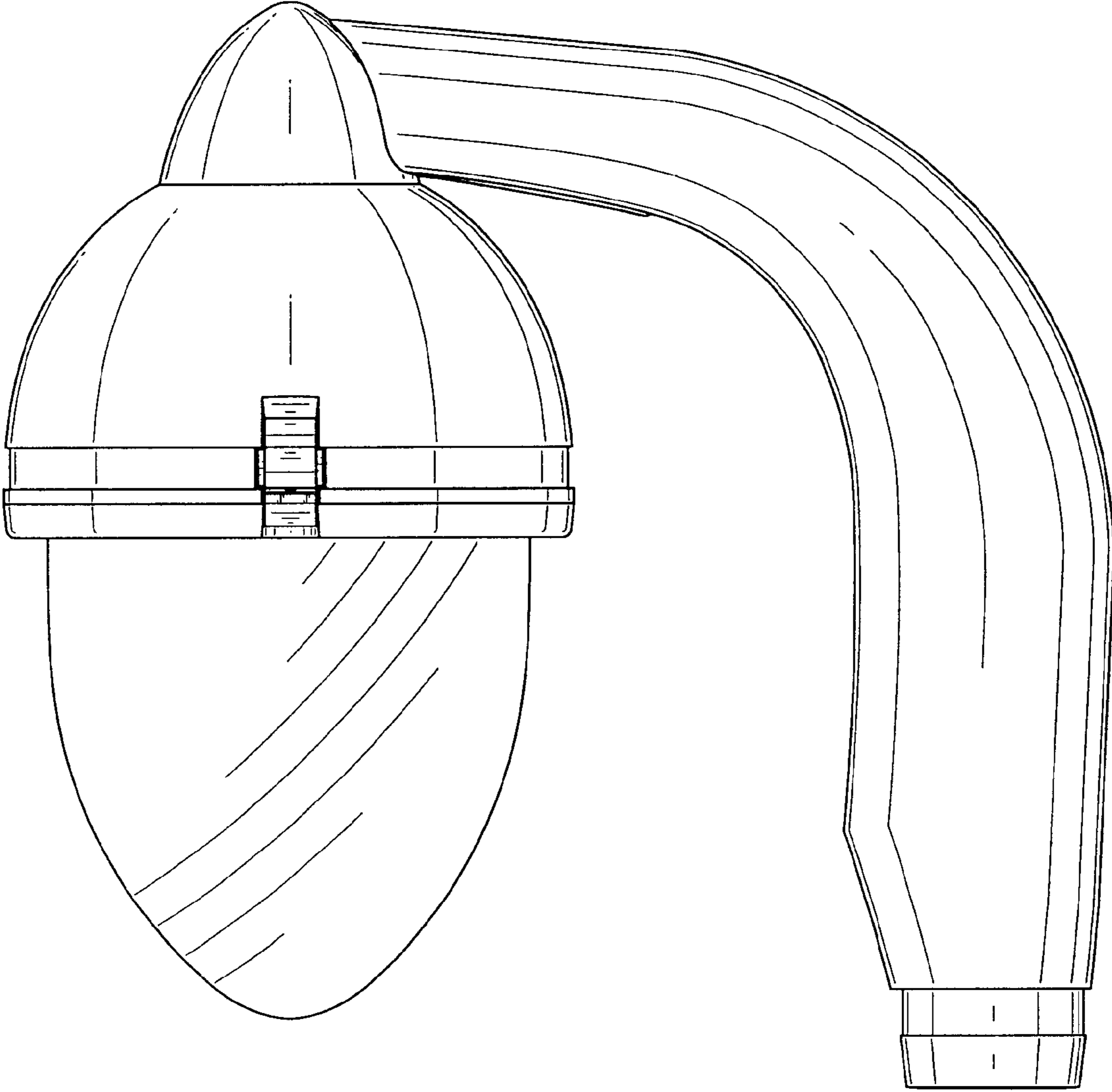


FIG. 2

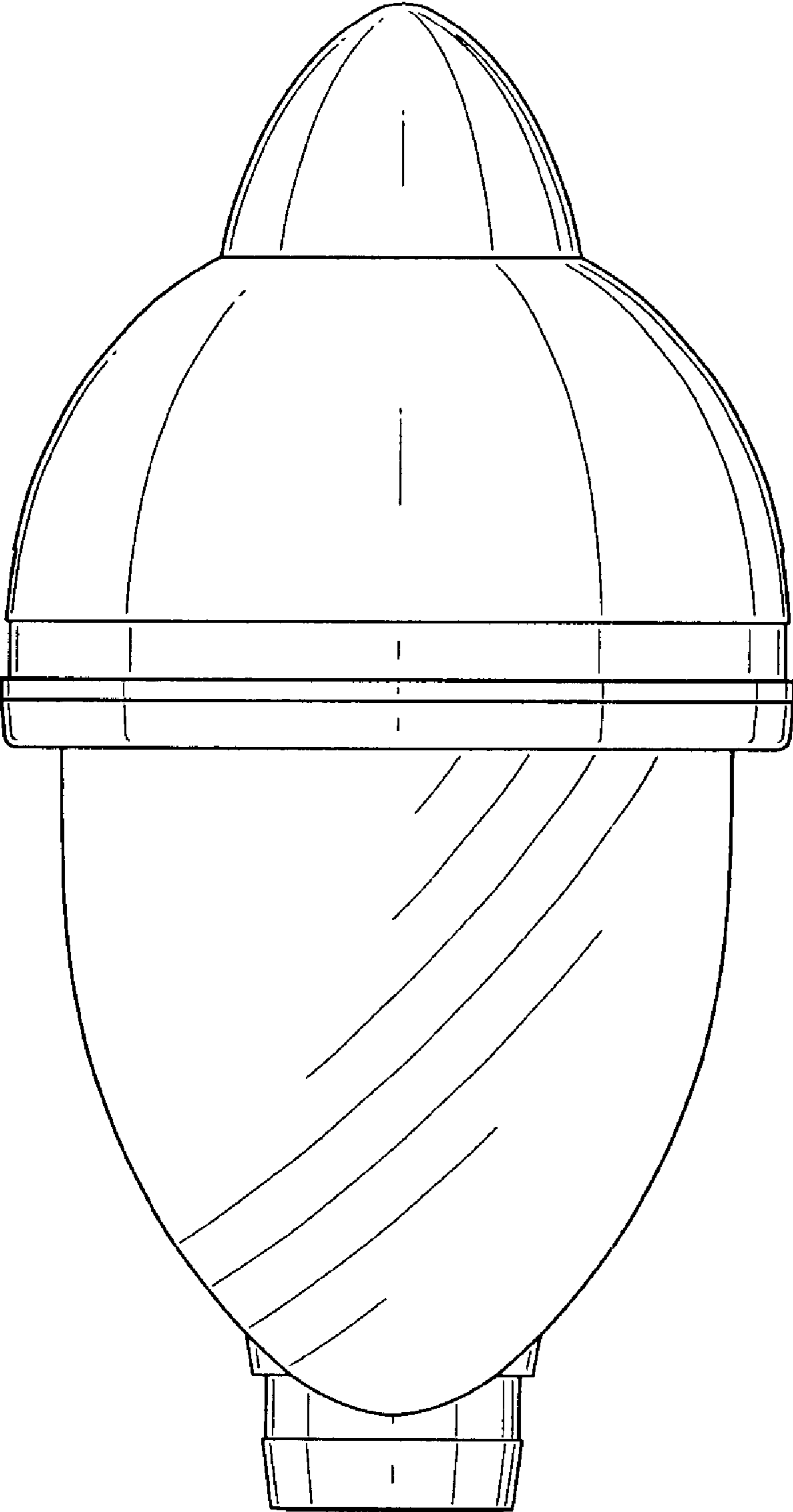


FIG. 3

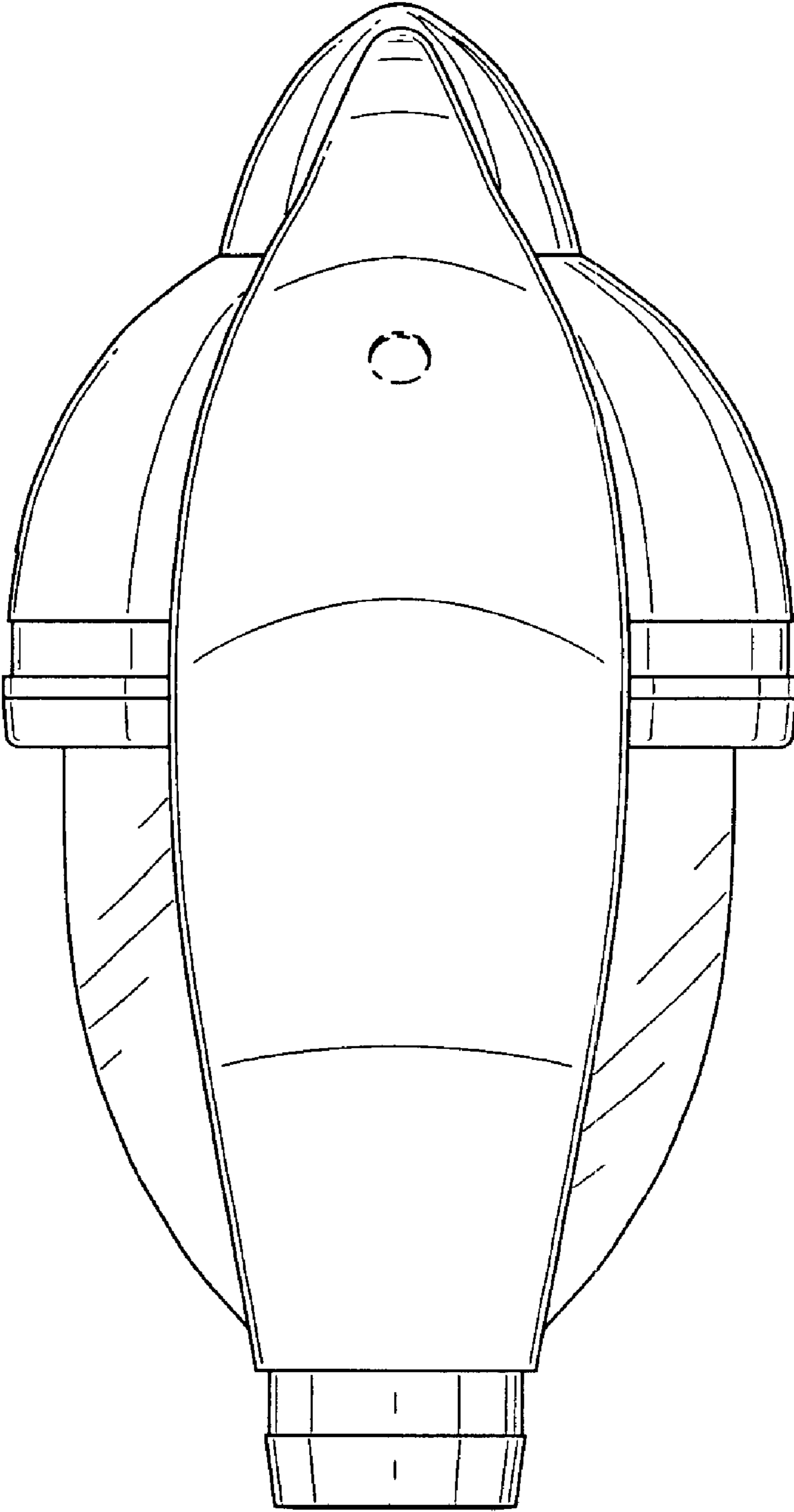


FIG. 4

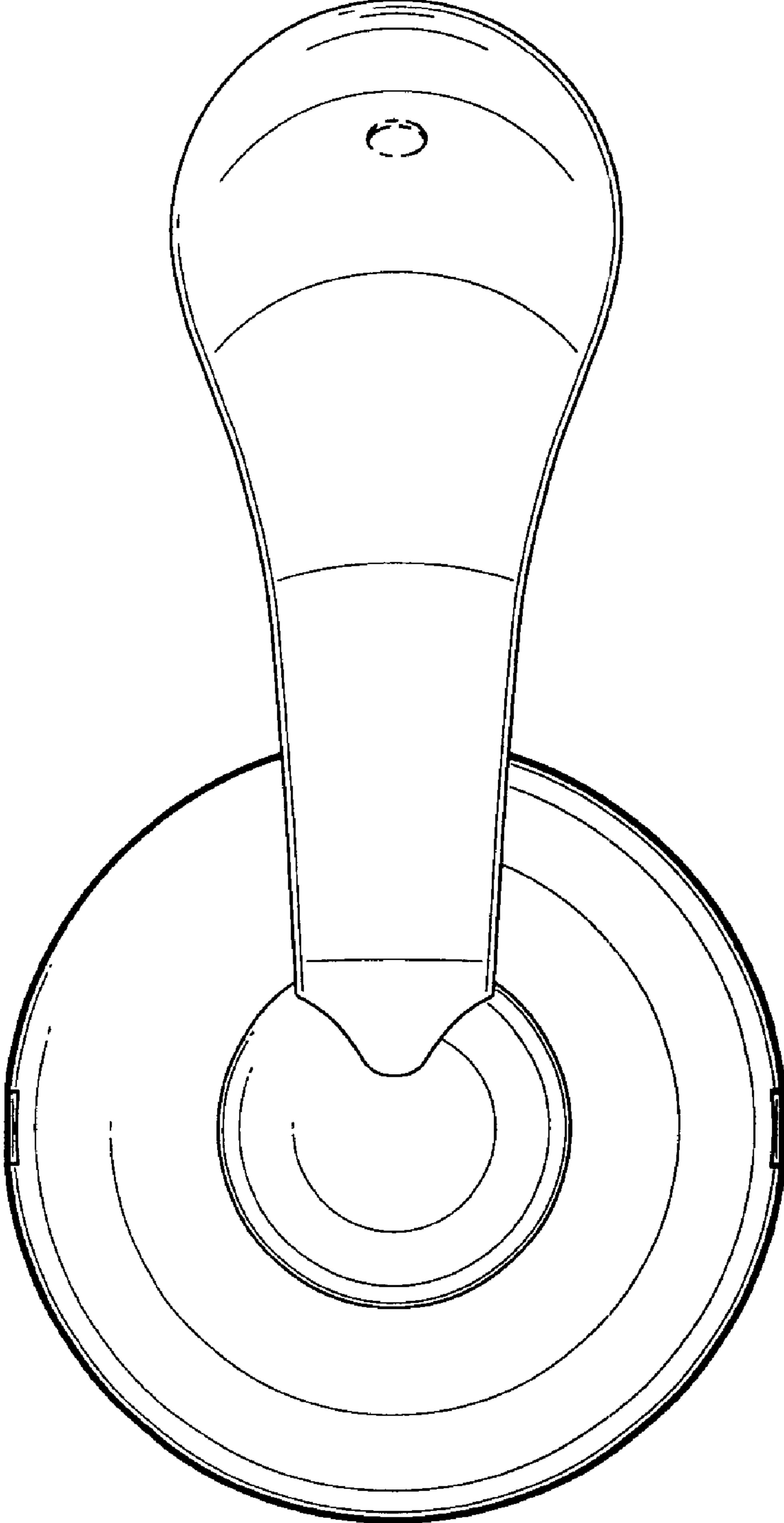


FIG. 5

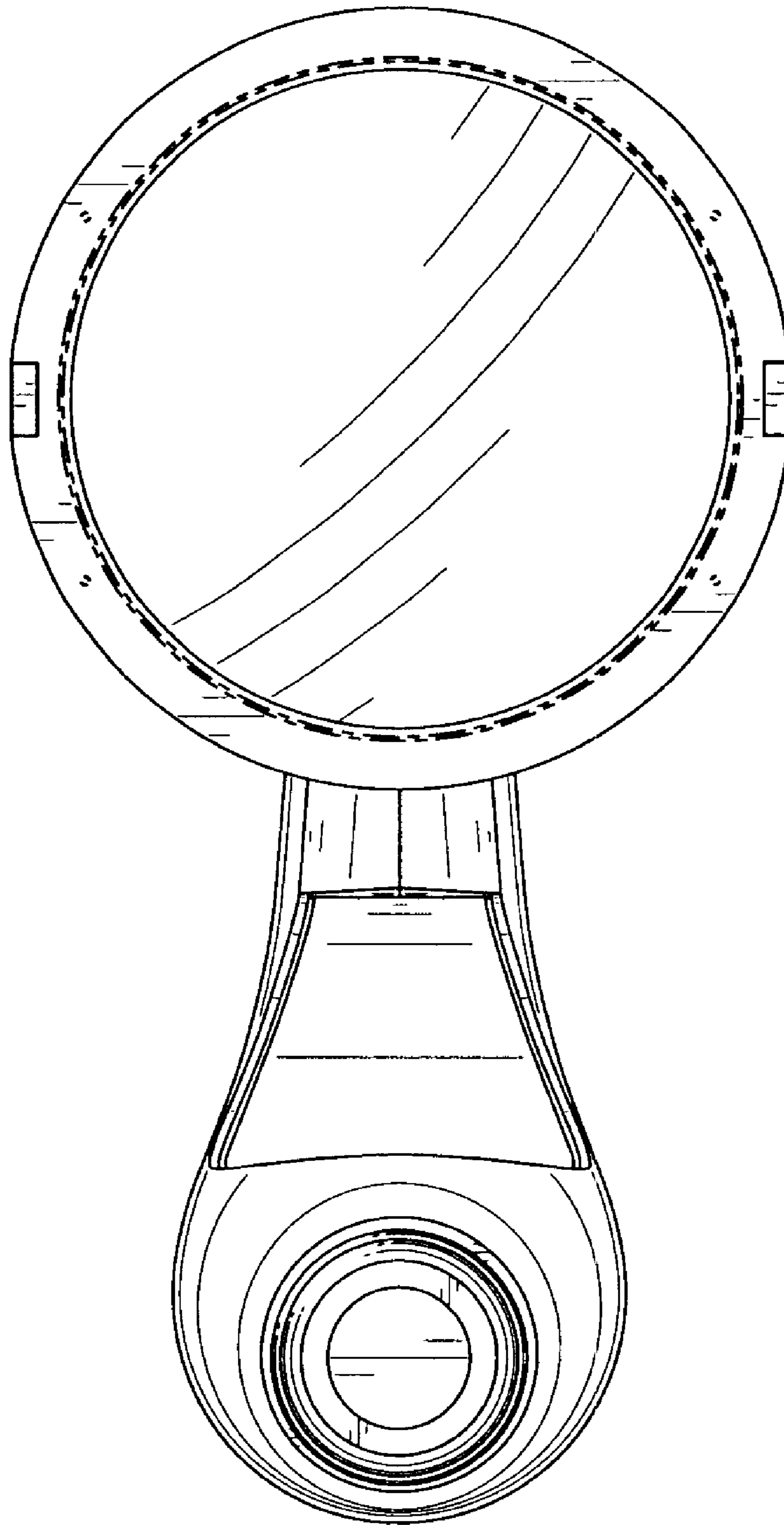


FIG. 6

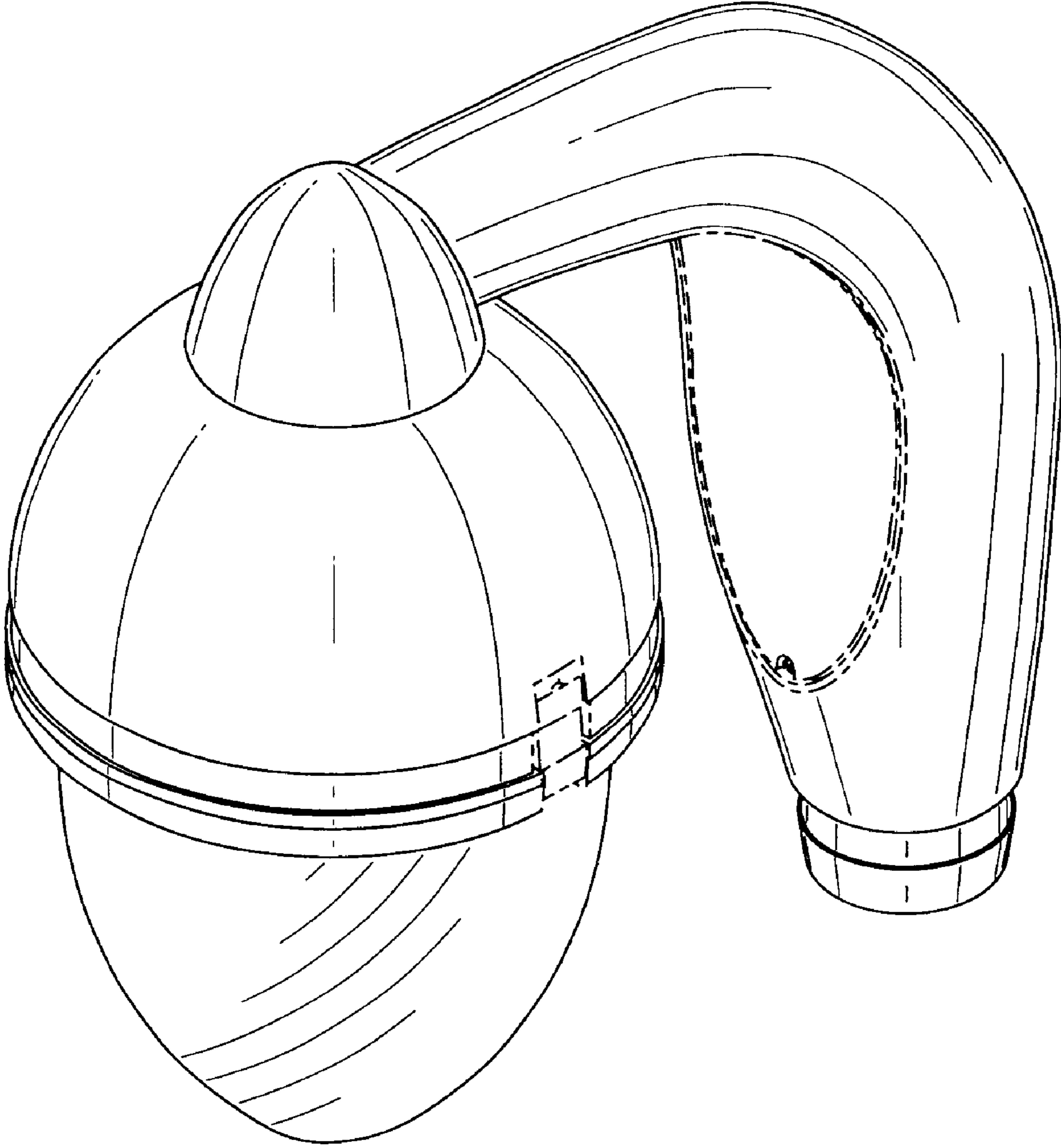


FIG. 7

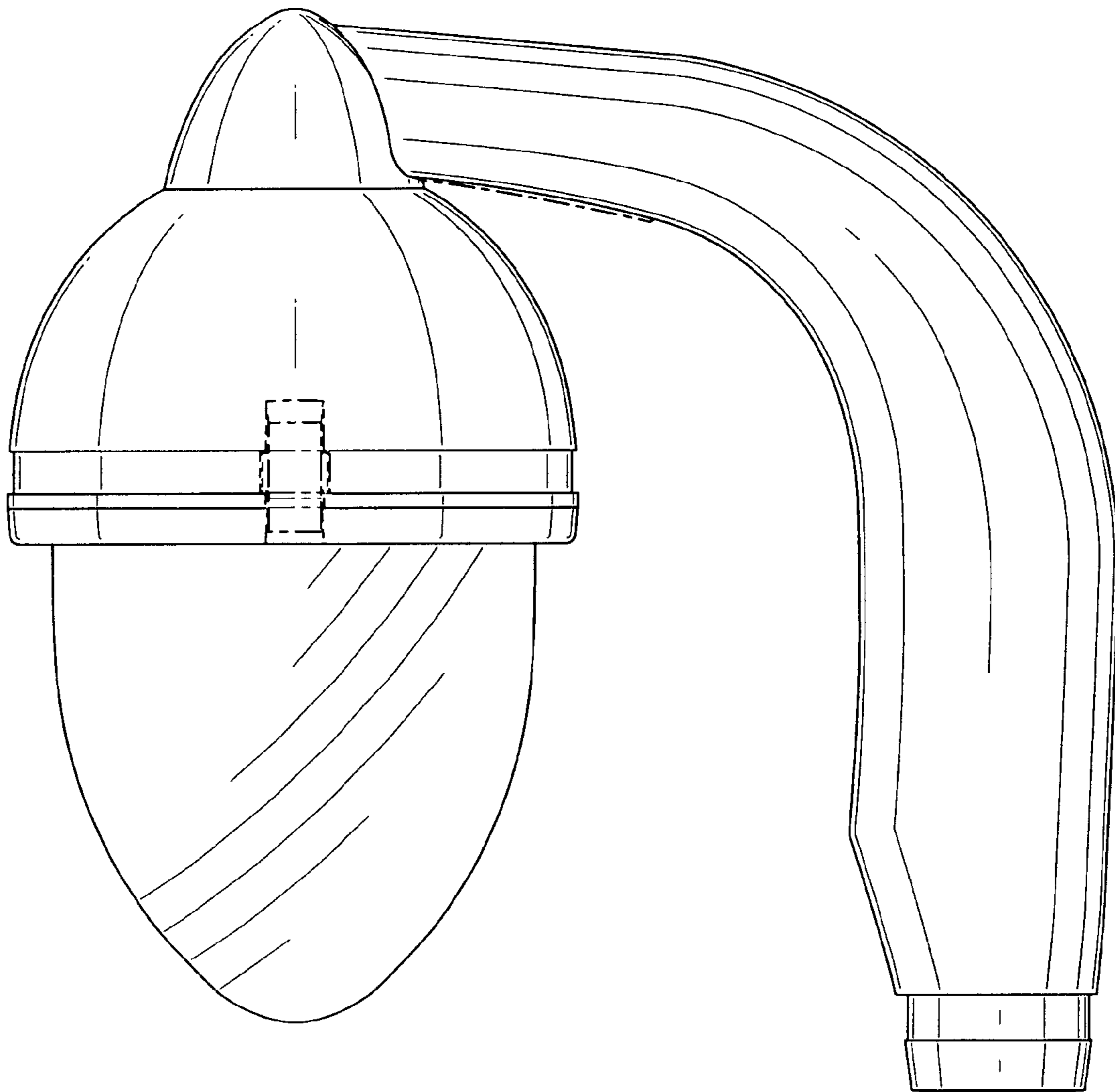


FIG. 8

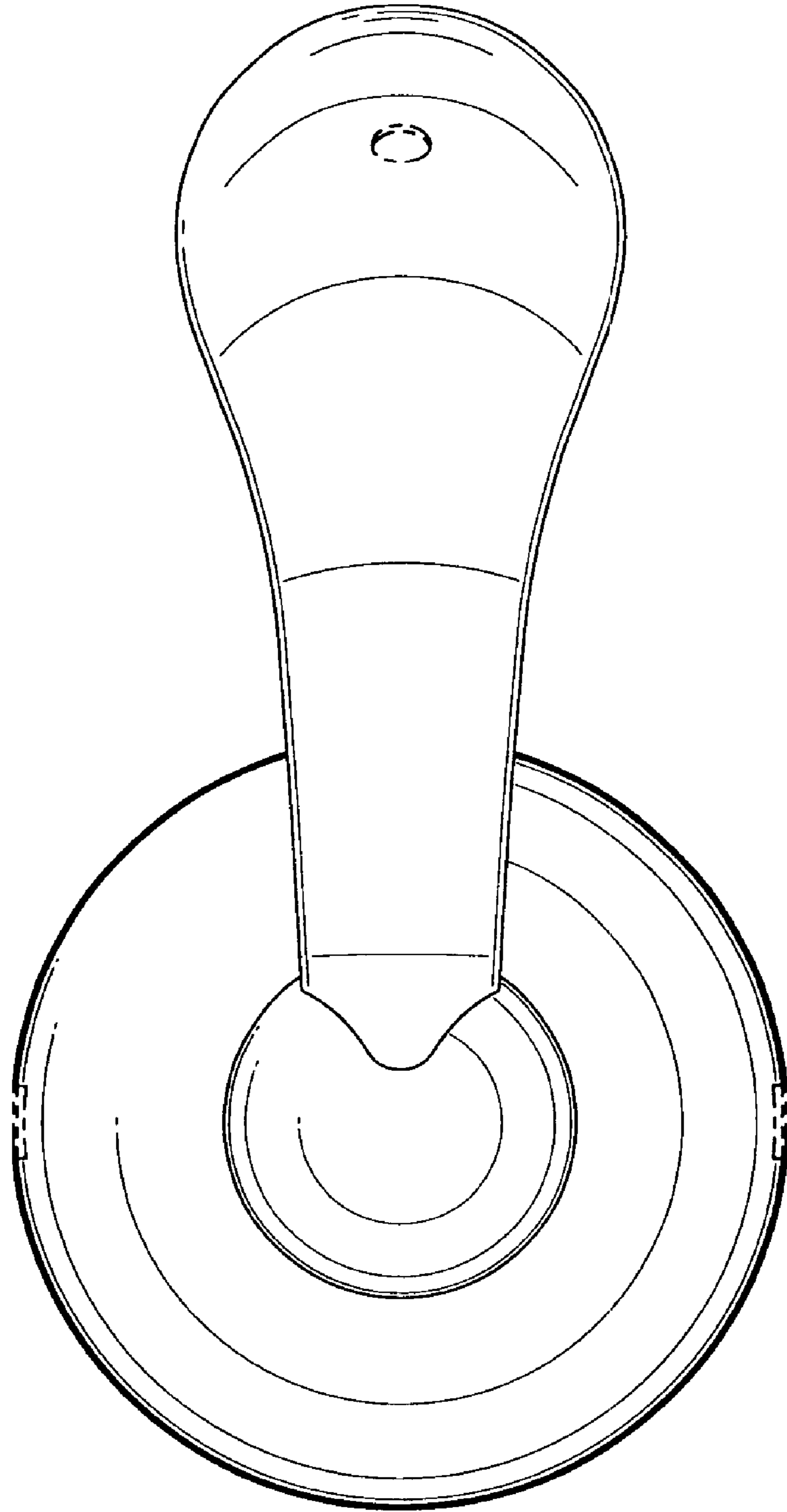


FIG. 9

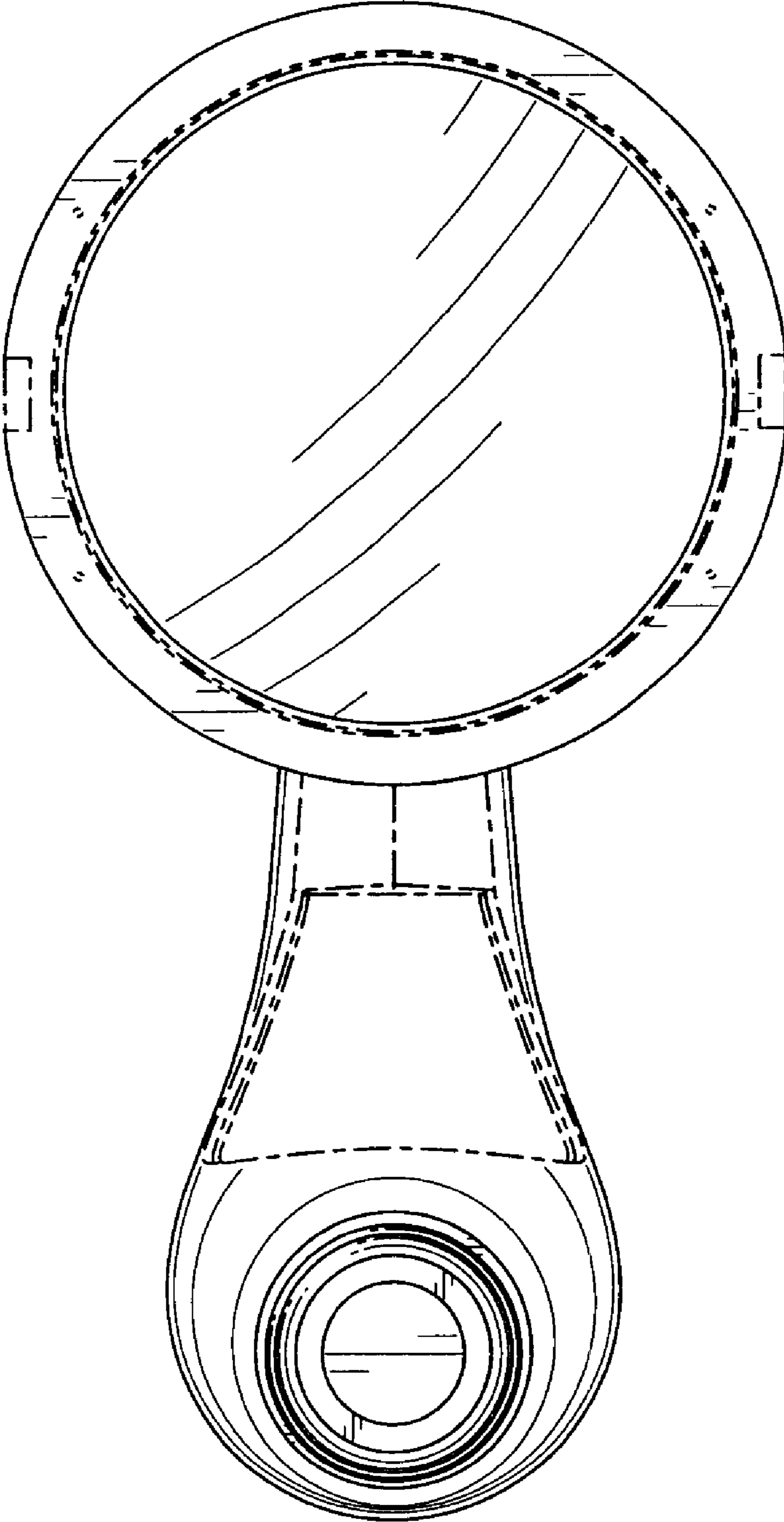


FIG. 10