

US00D503819S

(12) **United States Design Patent**
Pickett

(10) **Patent No.:** **US D503,819 S**

(45) **Date of Patent:** **** Apr. 5, 2005**

(54) **CEILING FAN LIGHT FIXTURE**

(76) **Inventor:** **Mark Pickett**, 1419 E. Palm St.,
Altadena, CA (US) 91001

(**) **Term:** **14 Years**

(21) **Appl. No.:** **29/190,824**

(22) **Filed:** **Sep. 26, 2003**

(51) **LOC (7) Cl. 26-05**

(52) **U.S. Cl. D26/59; D26/87; D26/118;**
D26/128

(58) **Field of Search D26/67, 68, 71,**
D26/72, 80-82, 85-87, 92, 118, 121, 128-134,
137, 138, 145-147, 155, 156, 84, 51, 59;
D23/377; 362/147, 153, 153.1, 370, 404-408,
431, 432, 341, 347, 350, 427

(56) **References Cited**

U.S. PATENT DOCUMENTS

1,854,303 A	*	4/1932	Hansen	248/279.1
D90,017 S	*	5/1933	Bush	D26/84
D158,209 S	*	4/1950	Lundquist	D26/131
D187,488 S	*	3/1960	Atkin	D26/133
D263,000 S	*	2/1982	Heritage et al.	D26/63
D312,885 S	*	12/1990	Louis	D26/60
D339,202 S	*	9/1993	Holbrook	D26/84

5,450,303 A	*	9/1995	Markiewicz et al.	362/419
D412,594 S	*	8/1999	Benghozi	D26/107
D414,286 S	*	9/1999	Sherman	D26/64
D435,932 S	*	1/2001	Hiller et al.	D26/118
D483,105 S	*	12/2003	Hsieh	D23/377

* cited by examiner

Primary Examiner—Clare E Heflin

(74) *Attorney, Agent, or Firm*—Parsons & Goltry; Michael
W. Goltry; Robert A. Parsons

(57) **CLAIM**

The ornamental design for a ceiling fan light fixture, as
shown and described.

DESCRIPTION

FIG. 1 is a left side elevational view of a ceiling fan light
fixture showing my new design;

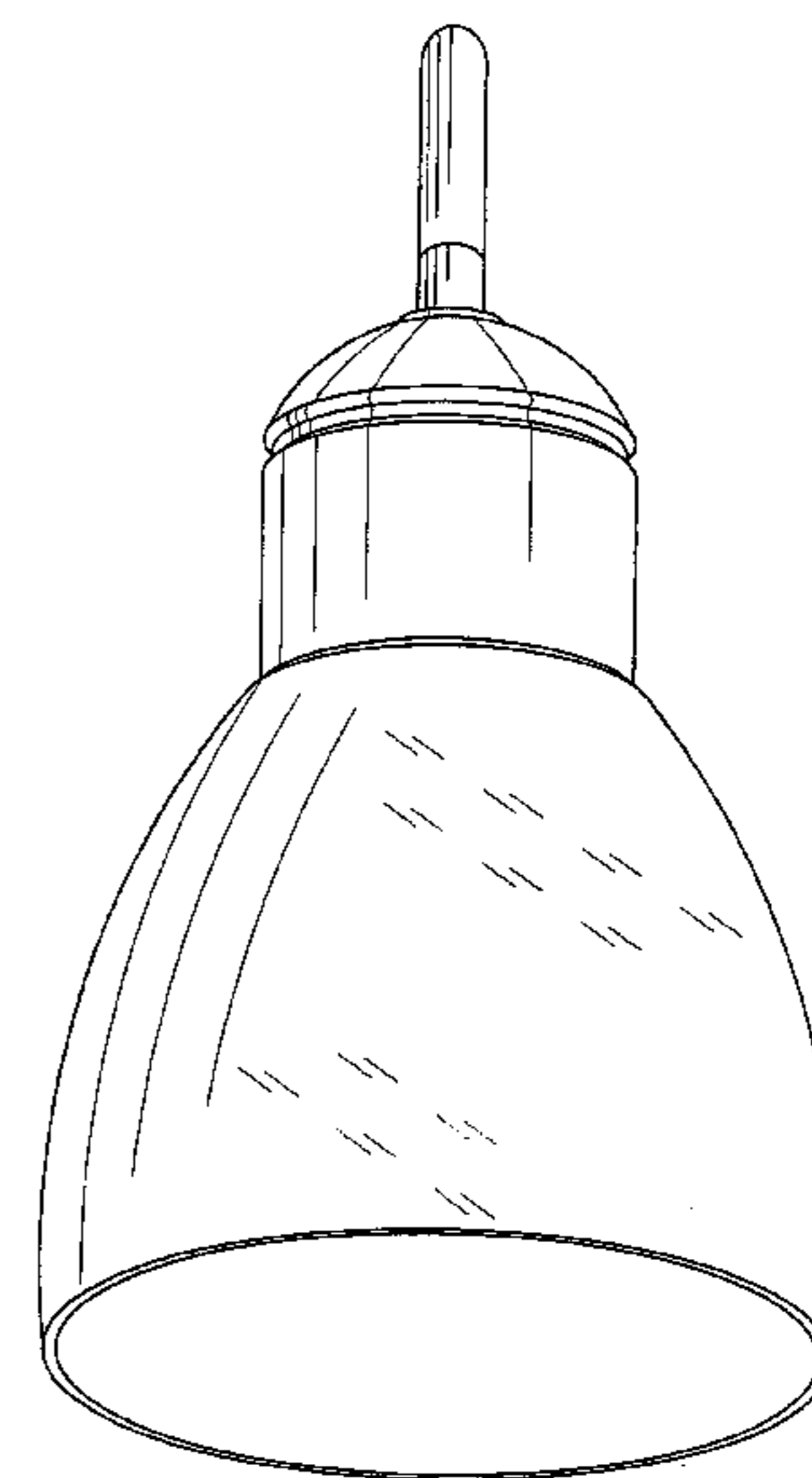
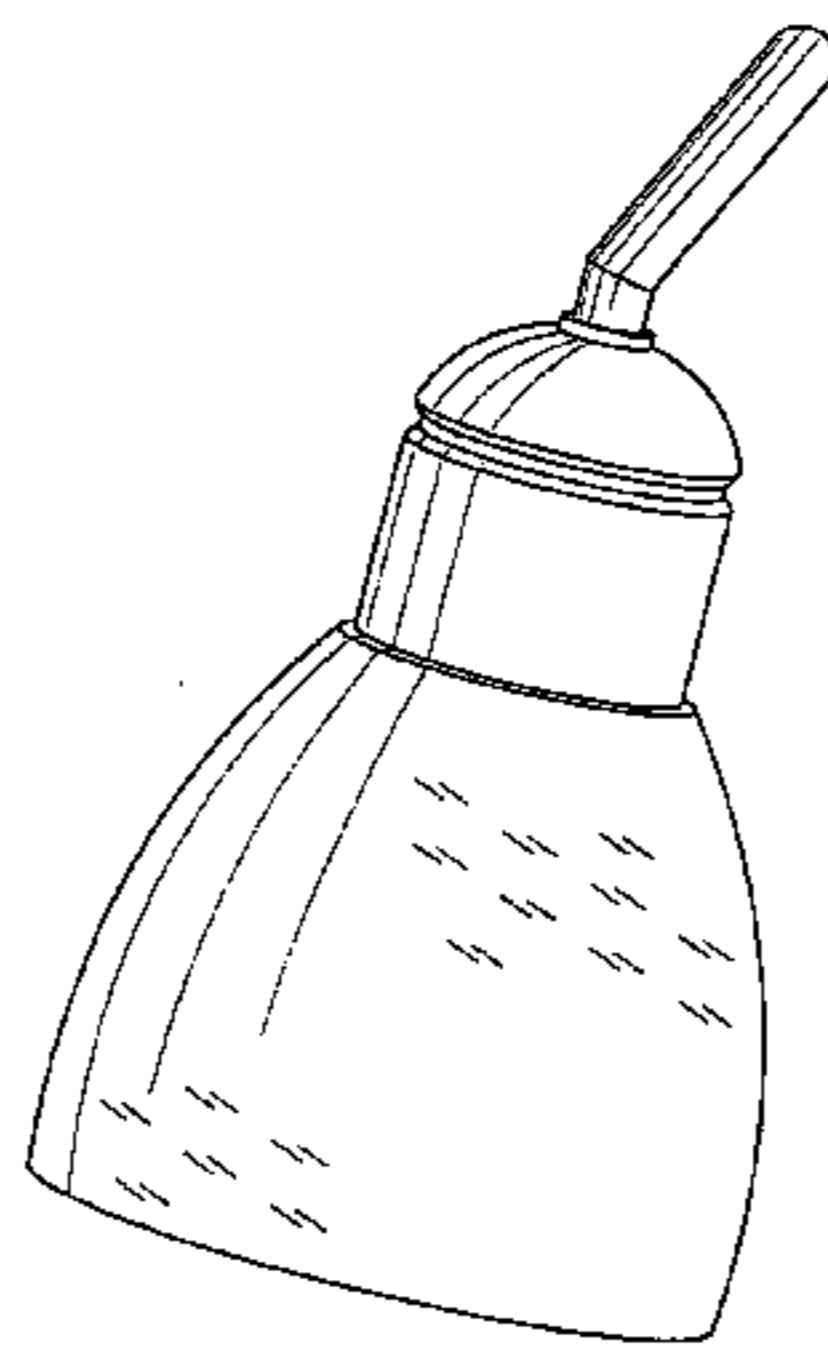
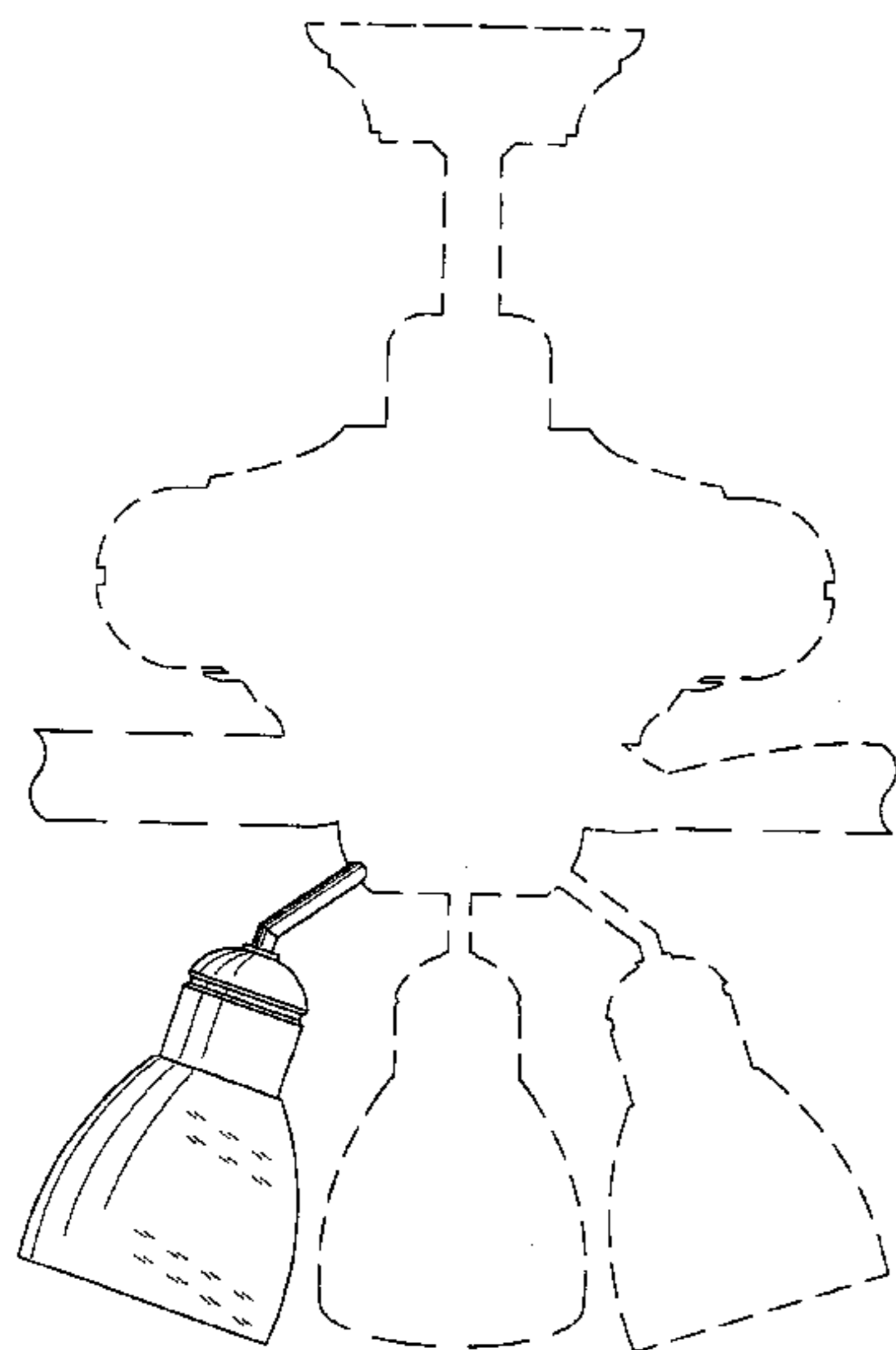
FIG. 2 is an enlarged left side elevational view thereof, the
opposing right side elevational view being substantially the
same thereof;

FIG. 3 is a top perspective view thereof; and,

FIG. 4 is a bottom perspective view thereof.

The broken lines in FIG. 1 show environmental features,
which are for illustrative purposes only and form no part of
the claimed design.

1 Claim, 3 Drawing Sheets



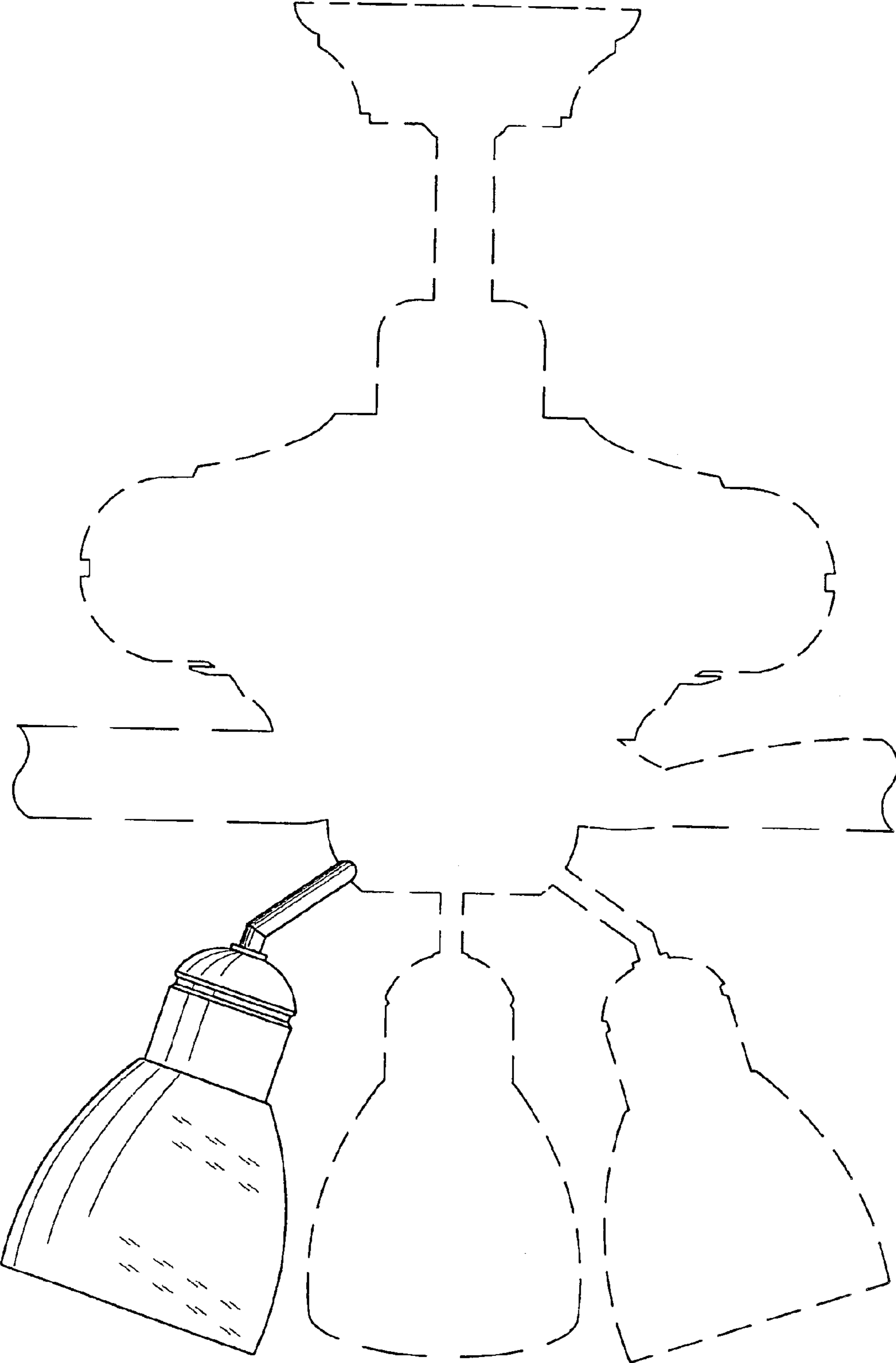


FIG. 1

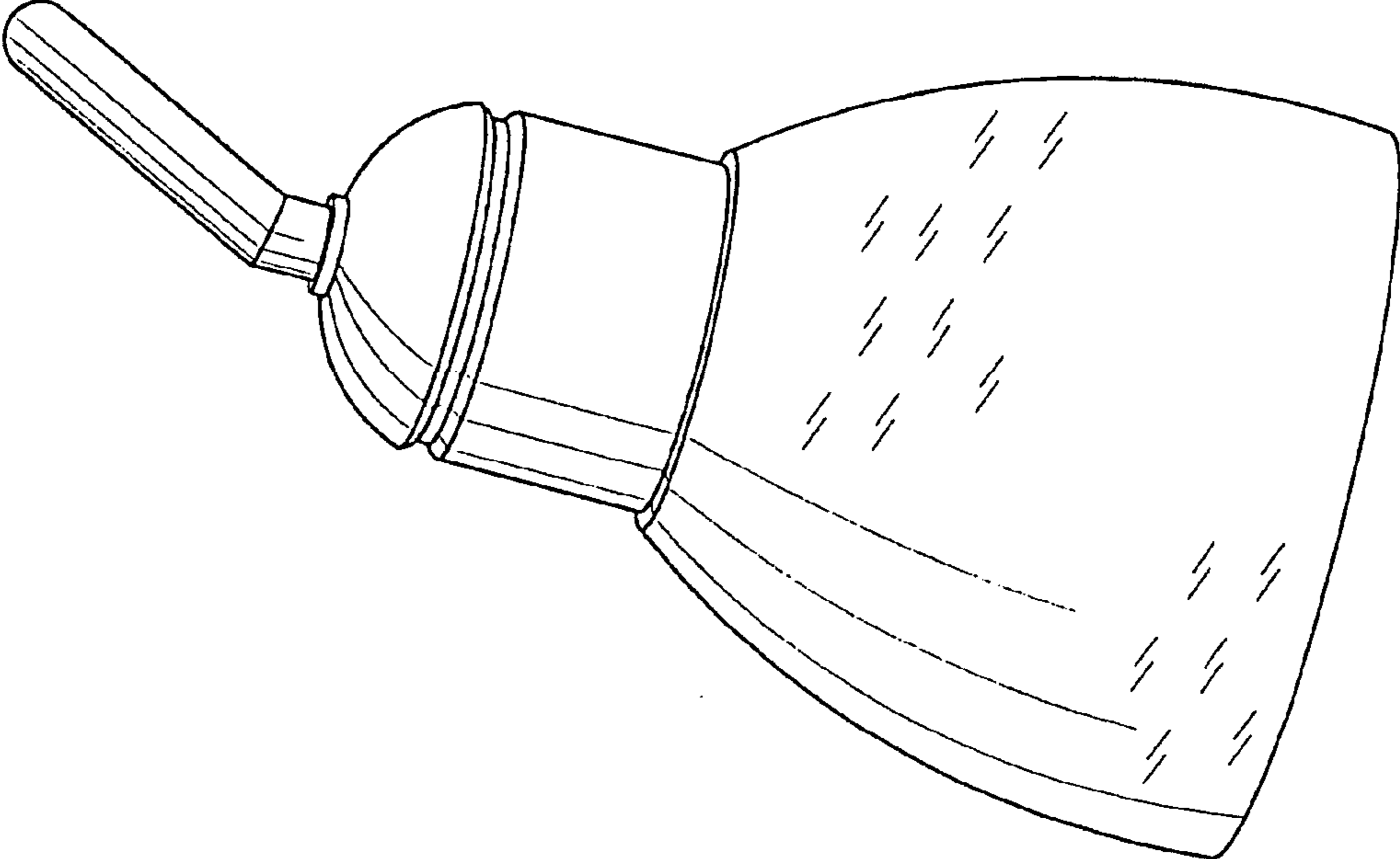


FIG. 3

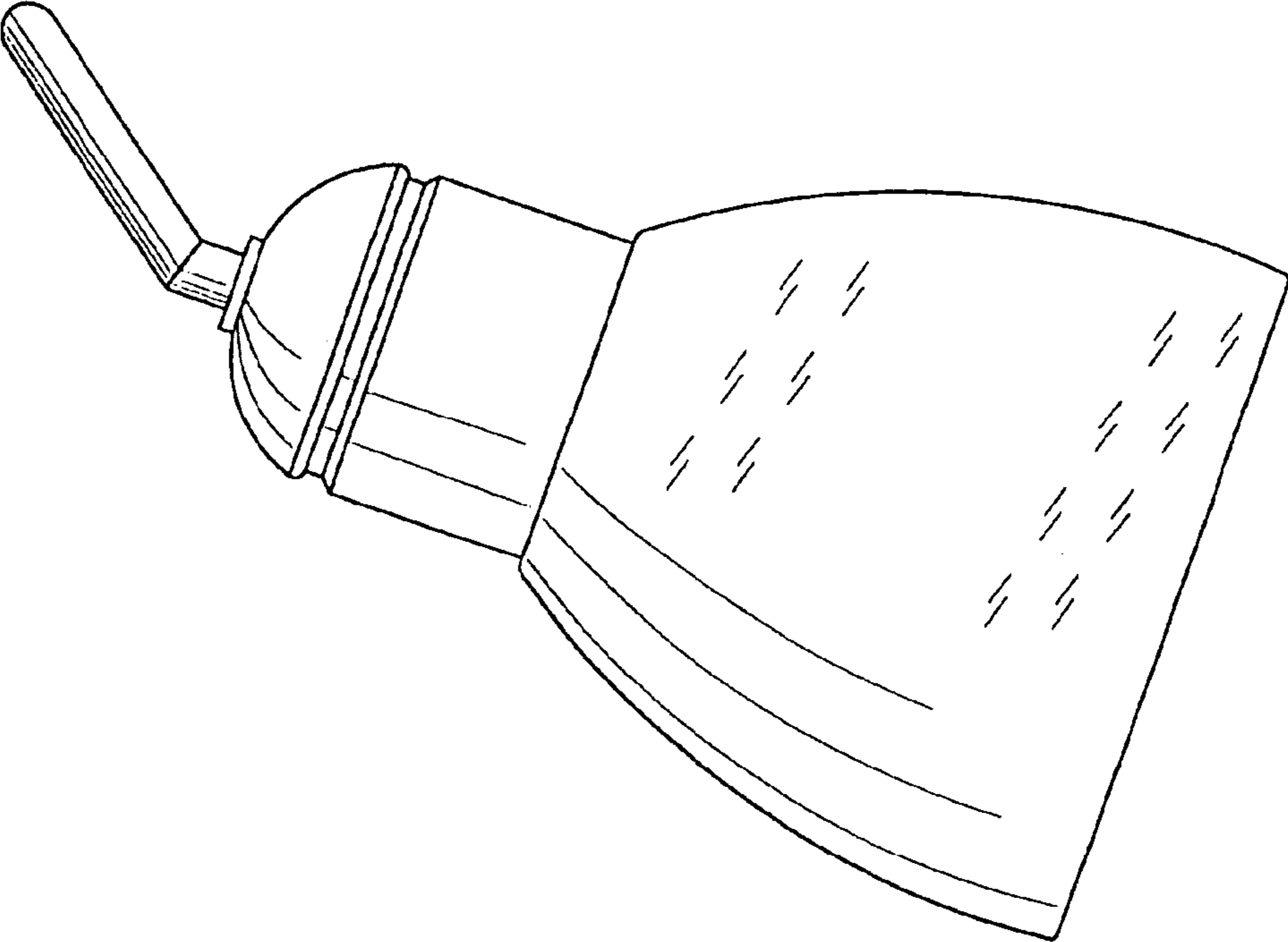


FIG. 2

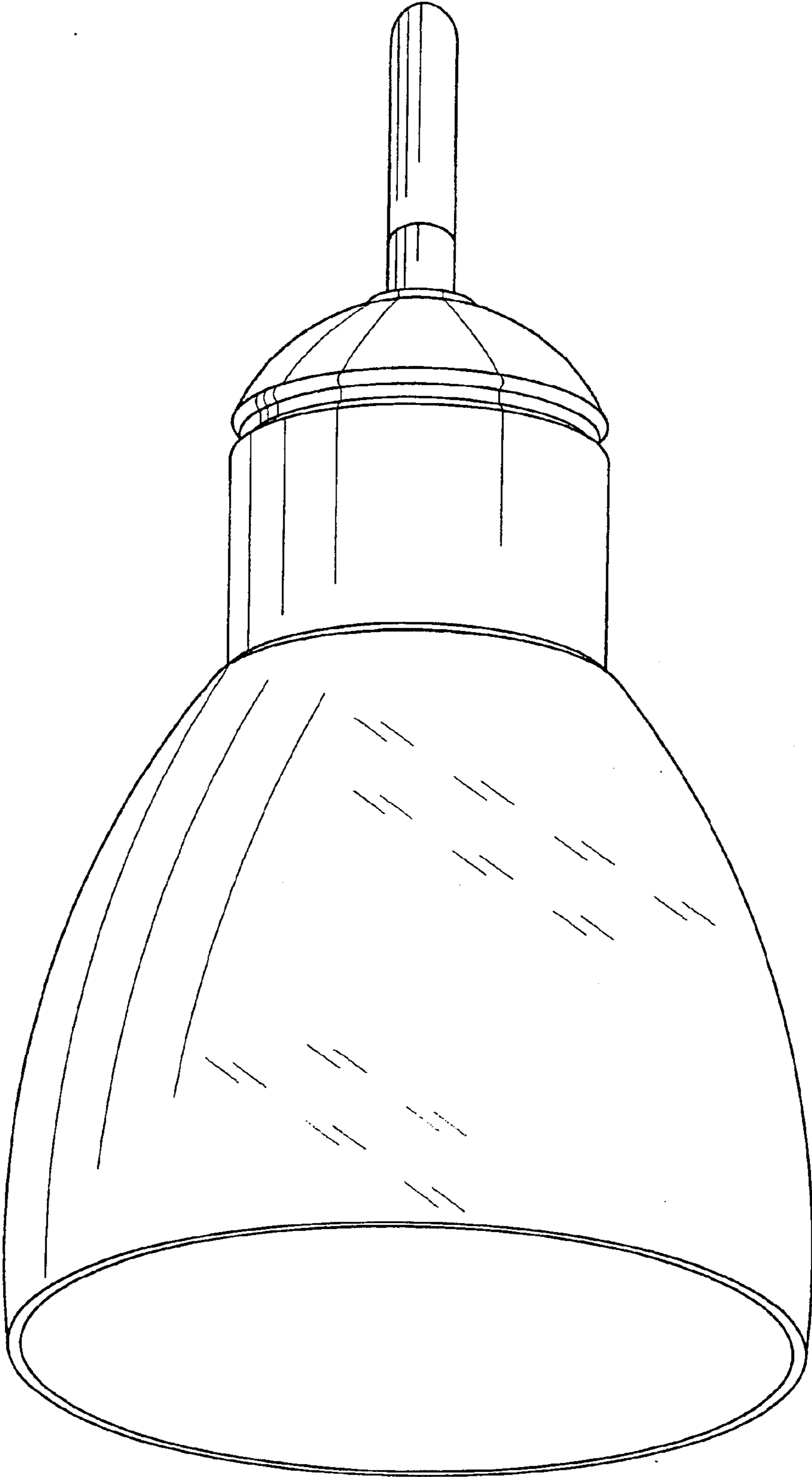


FIG. 4