

US00D503818S

(12) **United States Design Patent**
Kingston et al.

(10) **Patent No.:** **US D503,818 S**

(45) **Date of Patent:** **** Apr. 5, 2005**

(54) **LIGHTING DEVICE**

(75) Inventors: **Ronald J. Kingston**, Syracuse, NY (US); **Scott W. Osiecki**, Skaneateles, NY (US)

(73) Assignee: **Eveready Battery Company, Inc.**, St. Louis, MO (US)

(**) Term: **14 Years**

(21) Appl. No.: **29/212,175**

(22) Filed: **Aug. 27, 2004**

(51) **LOC (7) Cl.** **26-02**

(52) **U.S. Cl.** **D26/45**

(58) **Field of Search** D26/37-50; 362/157, 362/158, 171-174, 183-208

(56) **References Cited**

U.S. PATENT DOCUMENTS

D434,513 S	*	11/2000	Poon	D26/45
D446,591 S	*	8/2001	Shing	D26/45
D466,637 S	*	12/2002	Gisser	D26/45

* cited by examiner

Primary Examiner—Marcus A. Jackson

(74) *Attorney, Agent, or Firm*—Stewart A. Fraser

(57) **CLAIM**

We claim the ornamental design for a lighting device, as shown and described.

DESCRIPTION

FIG. 1 is a left front view of the lighting device of the present invention;

FIG. 2 is a left rear view of the lighting device of the present invention, with the broken line showing for illustrative purposes only and forming no part of the claimed design;

FIG. 3 is a top view of the lighting device of the present invention;

FIG. 4 is a bottom view of the lighting device of the present invention;

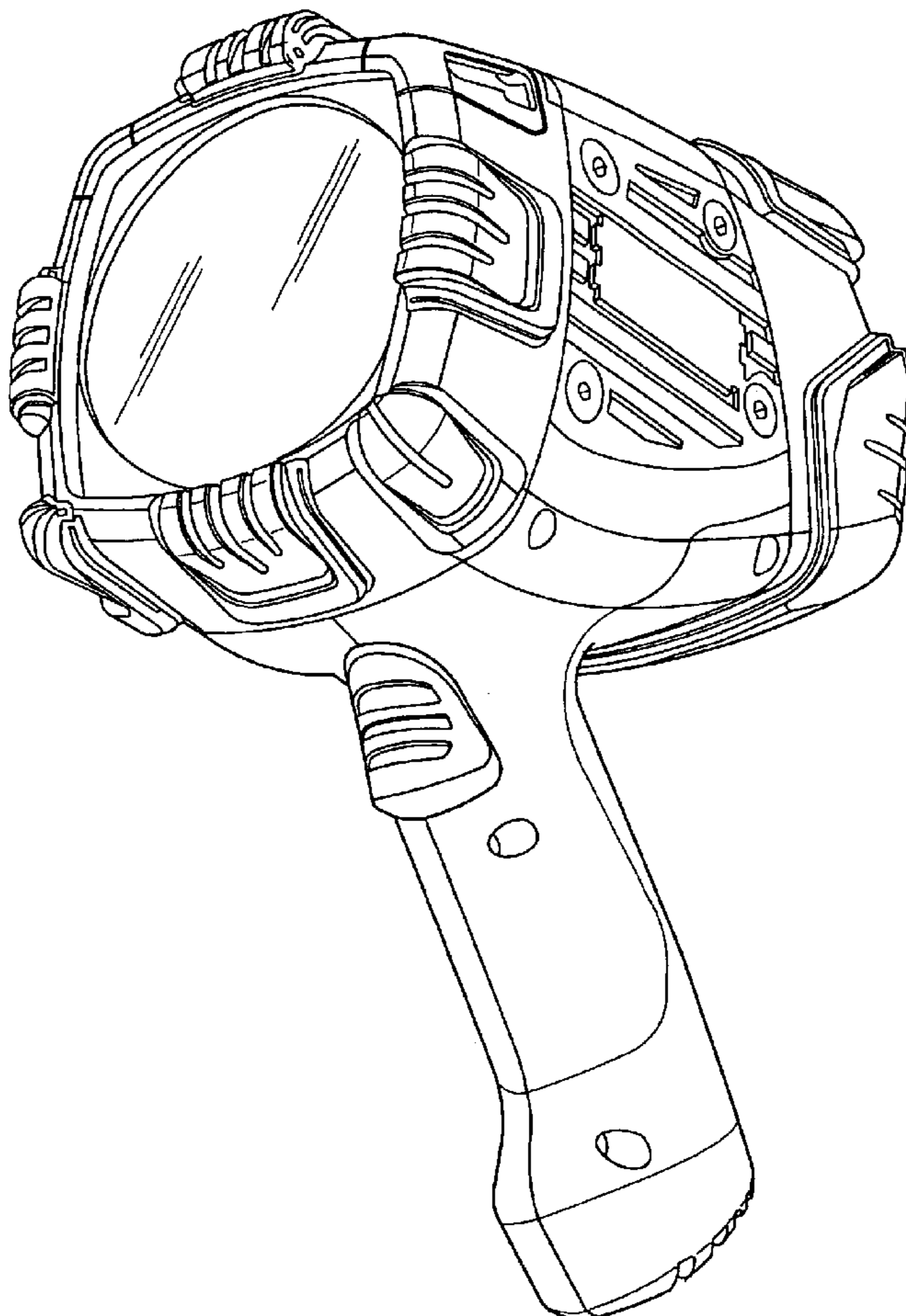
FIG. 5 is a right side view of the lighting device of the present invention;

FIG. 6 is a left side view of the lighting device of the present invention;

FIG. 7 is a front view of the lighting device of the present invention; and,

FIG. 8 is a rear view of the lighting device of the present invention.

1 Claim, 8 Drawing Sheets



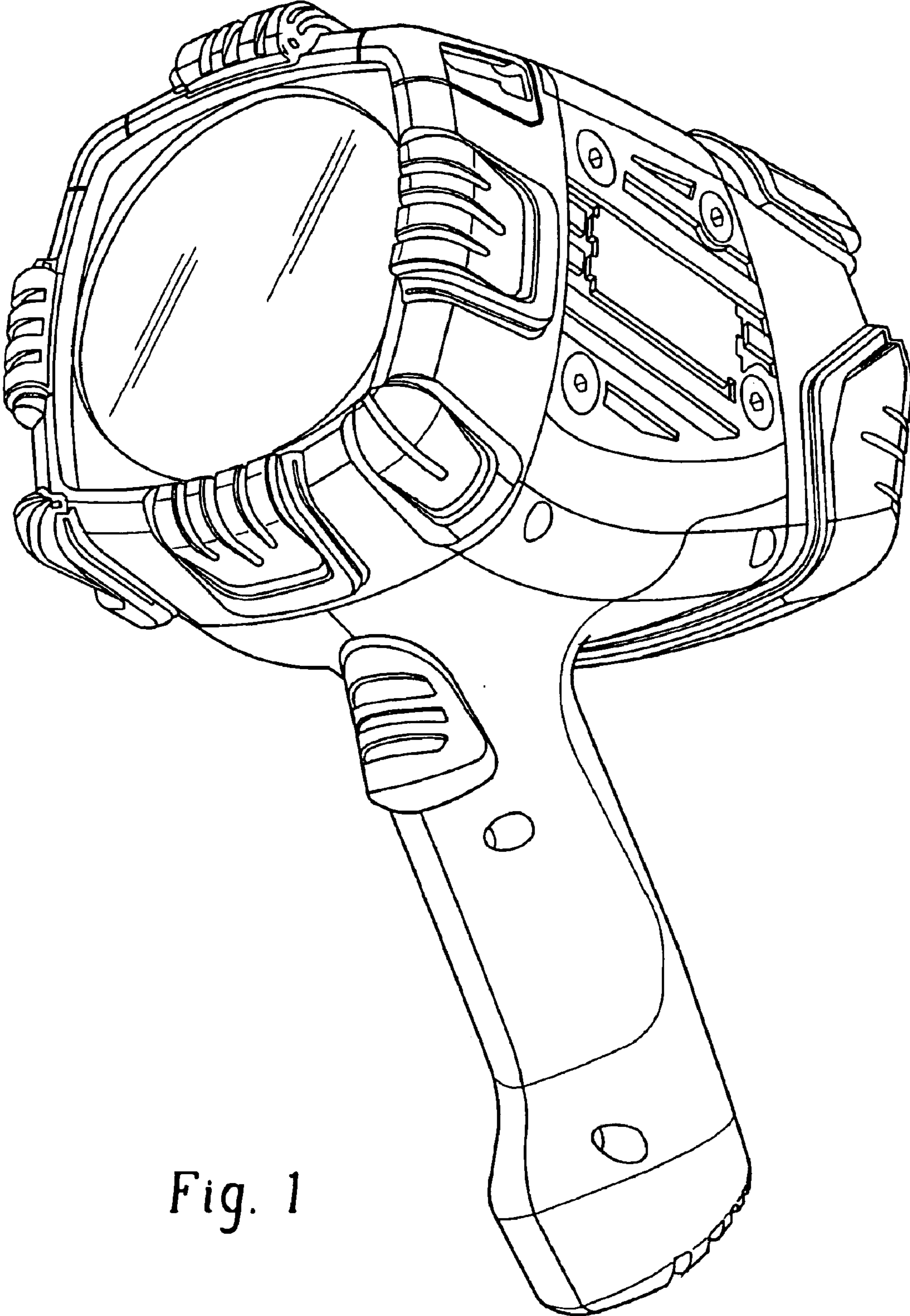


Fig. 1

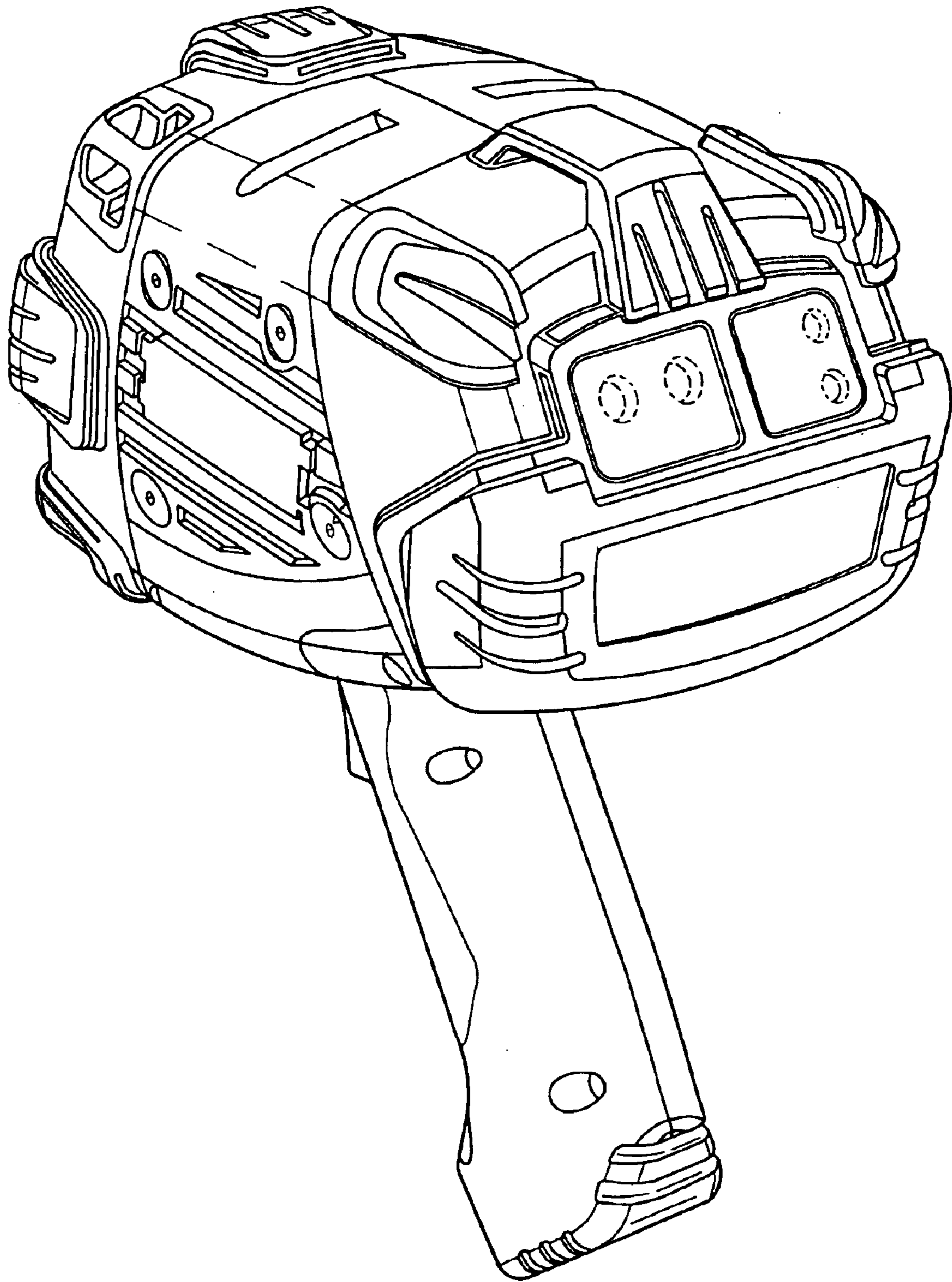


Fig. 2

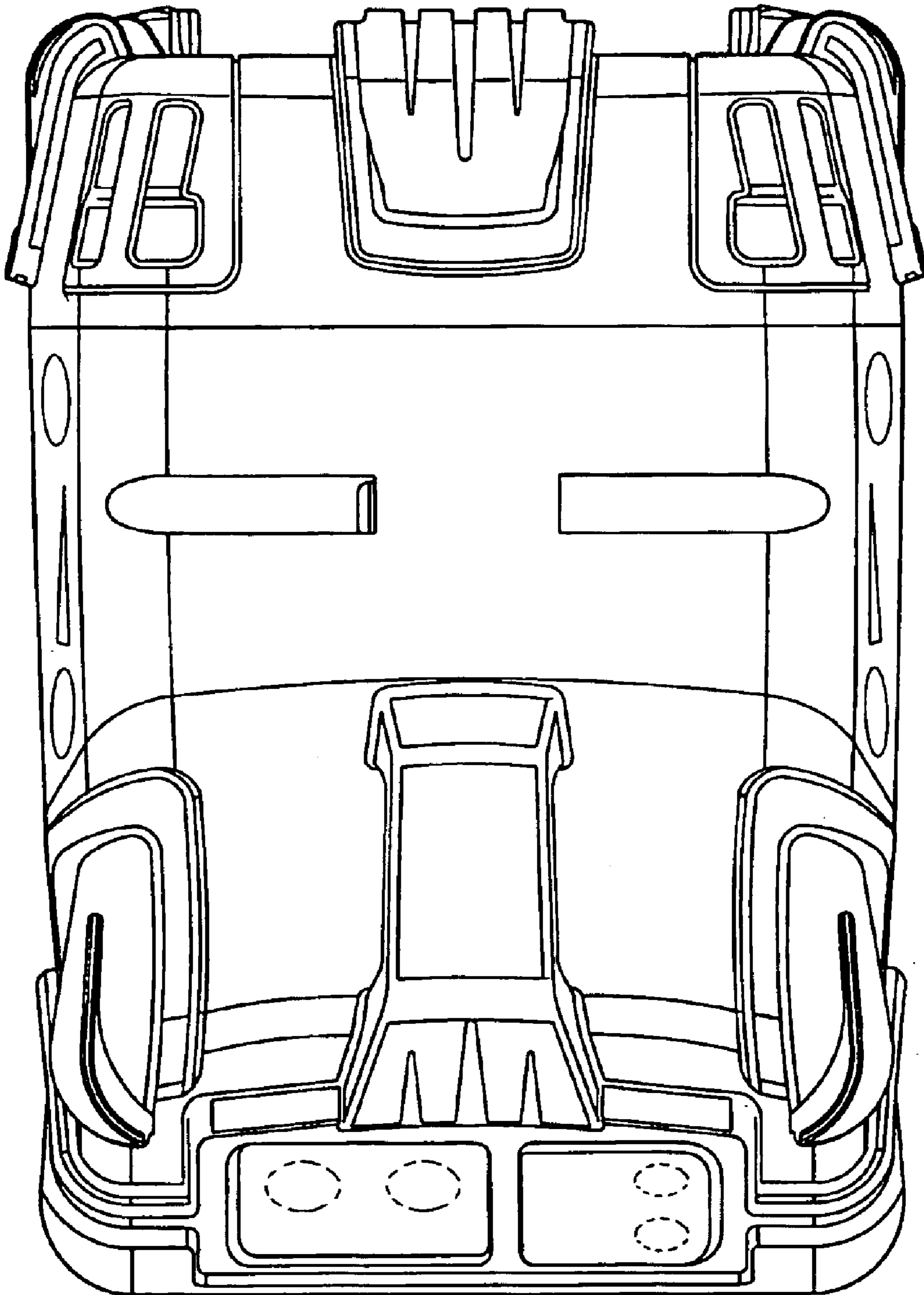


Fig. 3

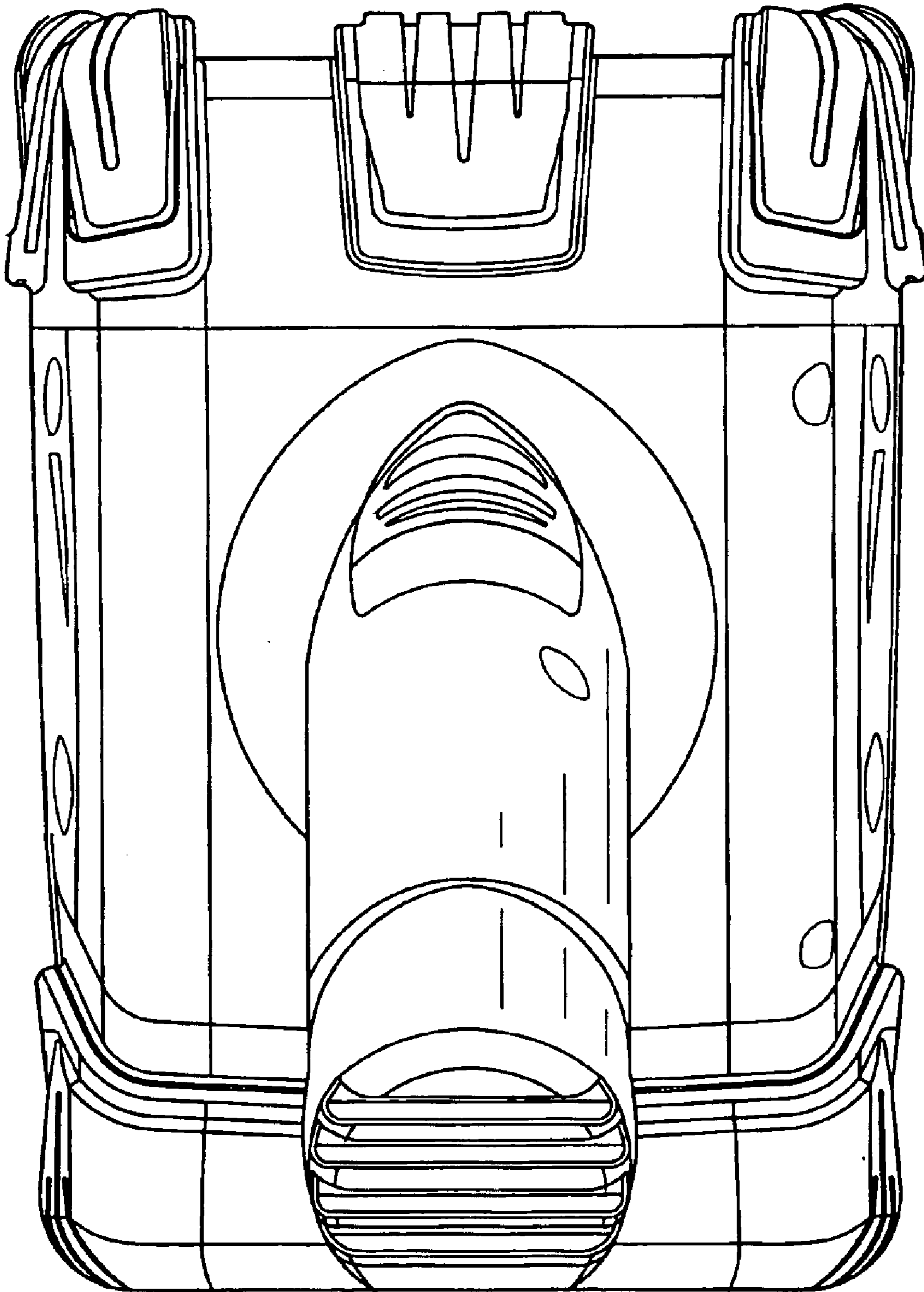


Fig. 4

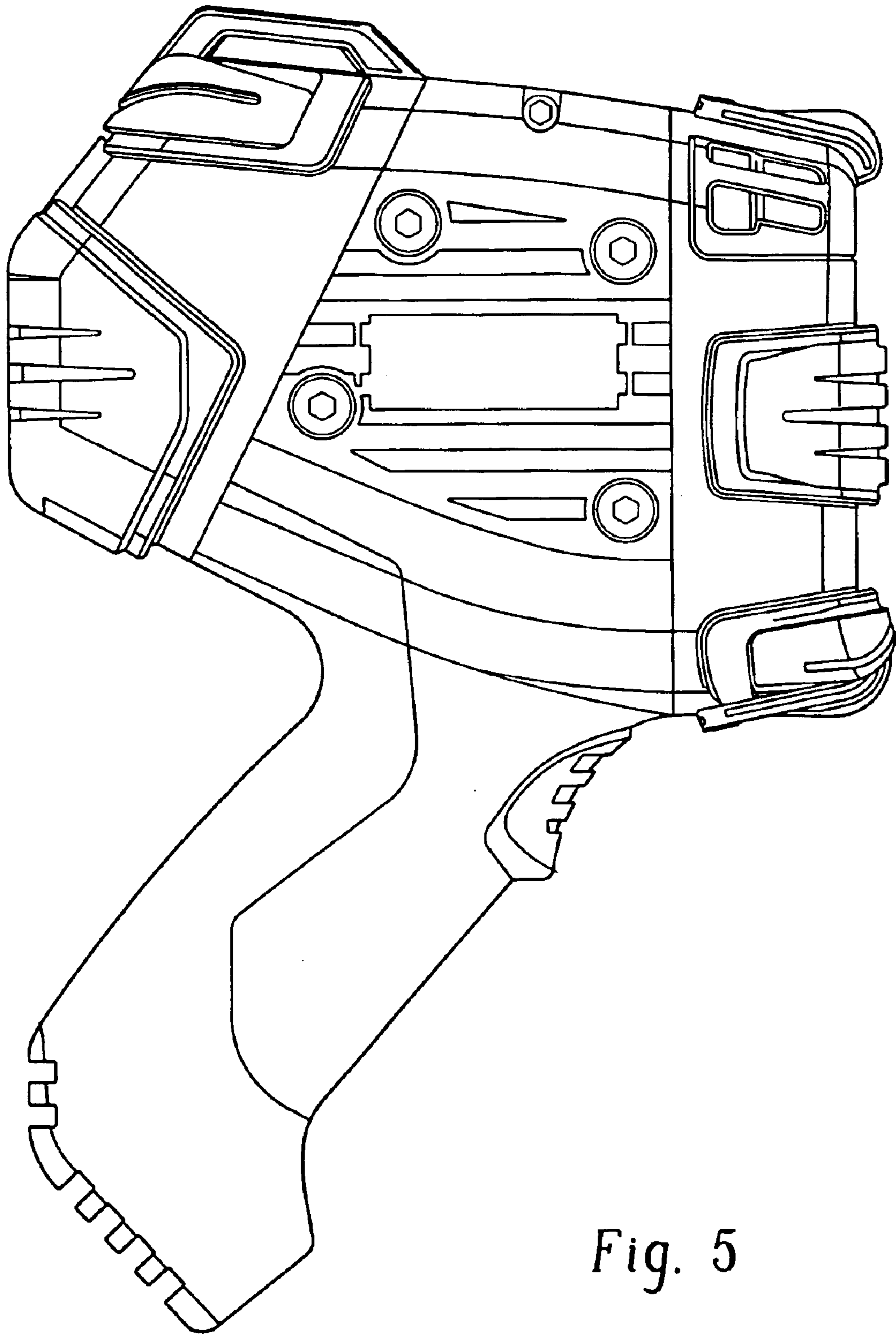


Fig. 5

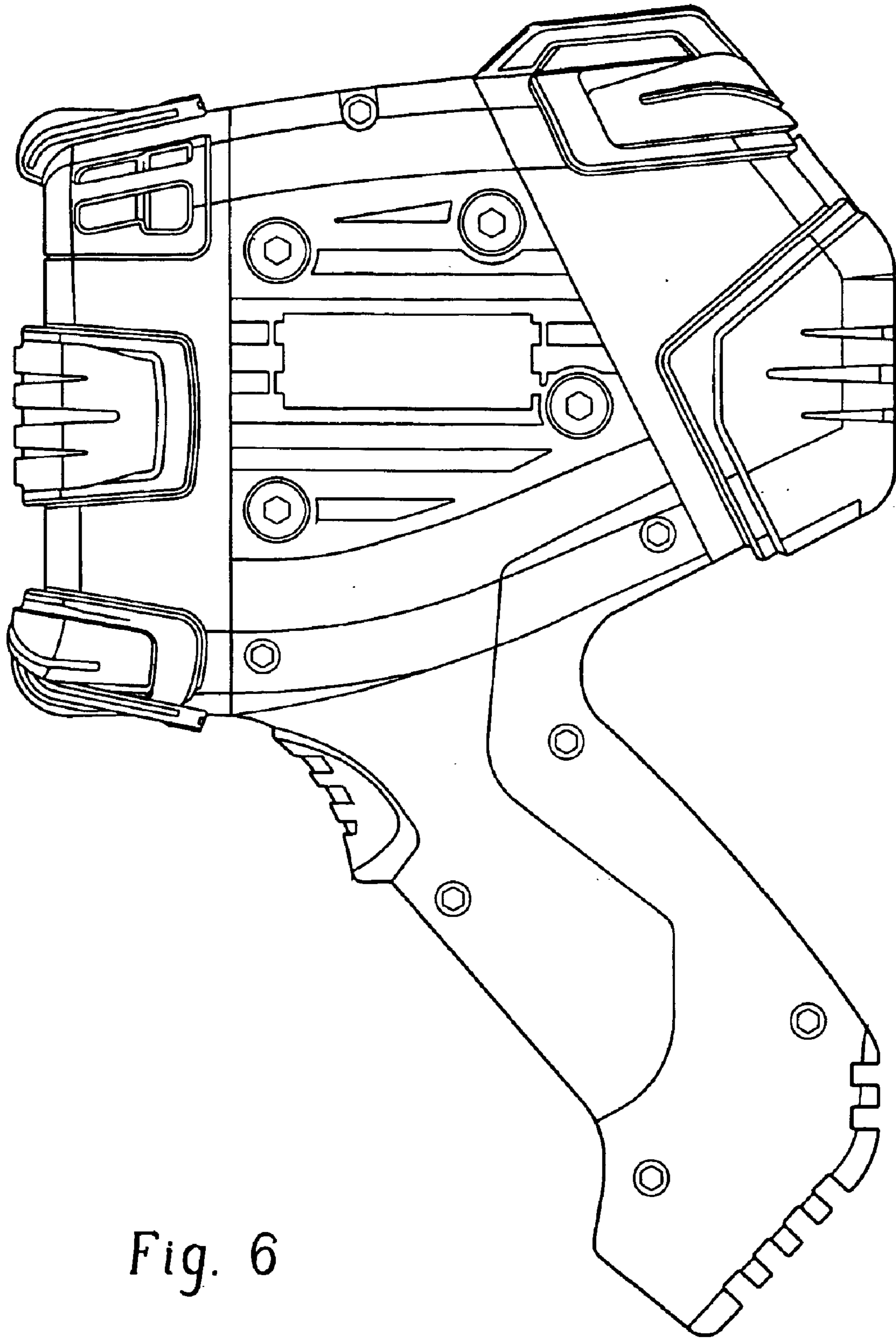


Fig. 6

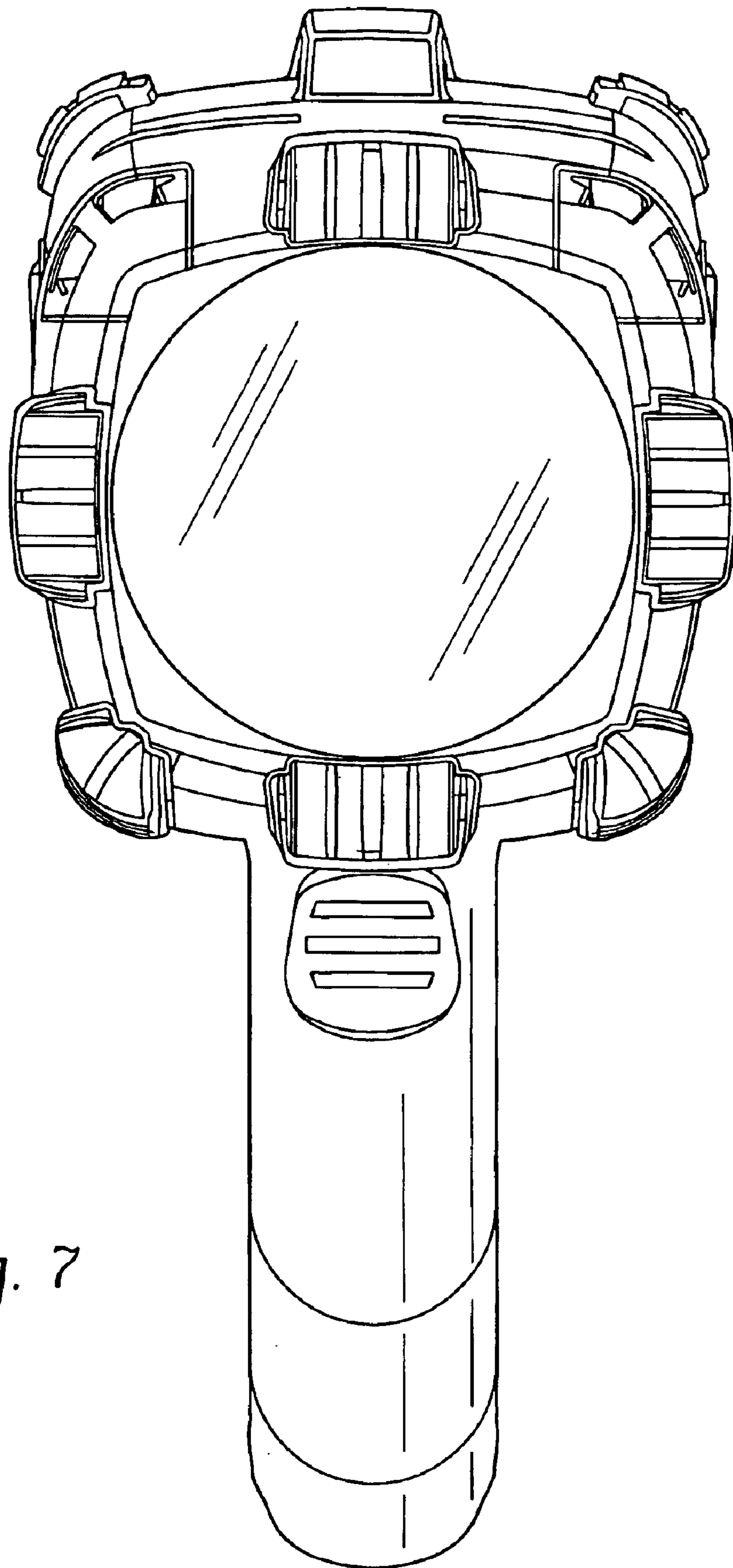


Fig. 7

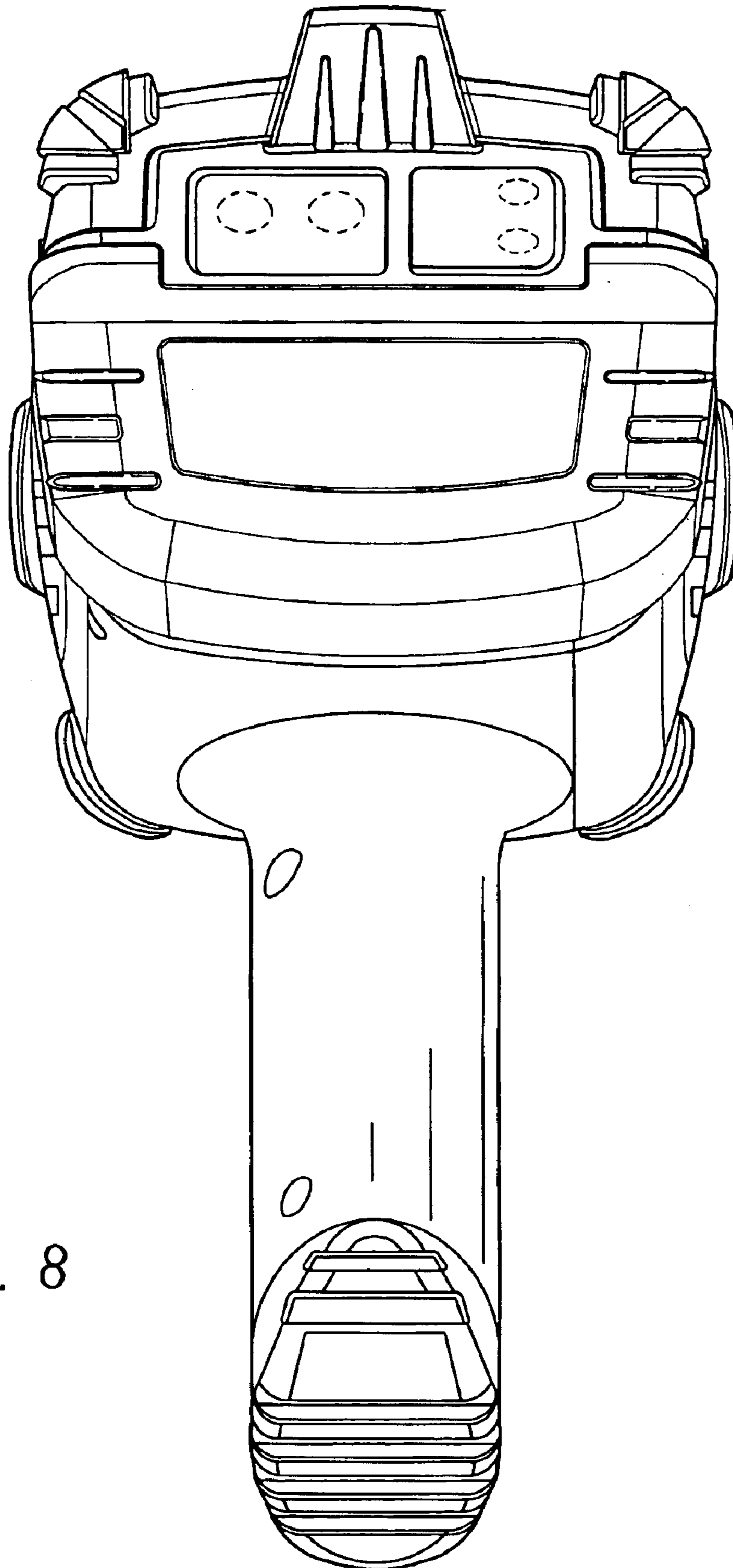


Fig. 8