

US00D503816S

(12) **United States Design Patent**  
**Schlachter**

(10) **Patent No.:** **US D503,816 S**

(45) **Date of Patent:** **\*\* Apr. 5, 2005**

(54) **VEHICLE REAR END TAIL LIGHT**

(75) **Inventor:** **Mark David Schlachter**, Covington,  
KY (US)

(73) **Assignee:** **Dean's Dream Ltd.**, Cincinnati, OH  
(US)

(\*\*) **Term:** **14 Years**

(21) **Appl. No.:** **29/178,707**

(22) **Filed:** **Mar. 28, 2003**

**Related U.S. Application Data**

(63) Continuation-in-part of application No. 29/174,989, filed on Jan. 28, 2003, which is a continuation-in-part of application No. 29/169,261, filed on Oct. 15, 2002, which is a continuation-in-part of application No. 29/154,324, filed on Jan. 24, 2002, now Pat. No. Des. 469,393, which is a continuation-in-part of application No. 29/144,371, filed on Jun. 29, 2001, now abandoned.

(51) **LOC (7) Cl.** ..... **26-06**

(52) **U.S. Cl.** ..... **D26/28**

(58) **Field of Search** ..... D26/28-36; D12/90-92,  
D12/196, 164; 362/326-340, 367, 61, 66,  
80-83

(56) **References Cited**

**U.S. PATENT DOCUMENTS**

D455,382 S	4/2002	Gallitzendoerfer et al.	D12/196
D460,933 S	7/2002	Newton	D12/163
D460,935 S	7/2002	Newton	D12/196
D466,063 S	11/2002	Schlachter	D12/196
D469,393 S	* 1/2003	Schlachter	D12/196
D477,101 S	* 7/2003	Horowitz	D26/28
D484,259 S	* 12/2003	Horowitz	D26/28

D484,260 S	* 12/2003	Kato et al.	D26/28
D485,381 S	* 1/2004	Lung	D26/28
D485,921 S	* 1/2004	Liao	D26/28
D486,253 S	* 2/2004	Pai	D26/28
D486,595 S	* 2/2004	Liu	D26/28
D486,596 S	* 2/2004	Chen	D26/28

**OTHER PUBLICATIONS**

Brochure: "Days gone by mark days to come".  
Brochure: ". . . an extraordinary 550 Spyder-inspired Boxster . . .".  
Rear View and Tail Lights web pages from <http://www.deansdream.net>, posted Jan. 28, 2002.  
Dean's New Wing web page from <http://www.deansdream.net>, posted Oct. 17, 2002.

\* cited by examiner

*Primary Examiner*—Melody N. Brown

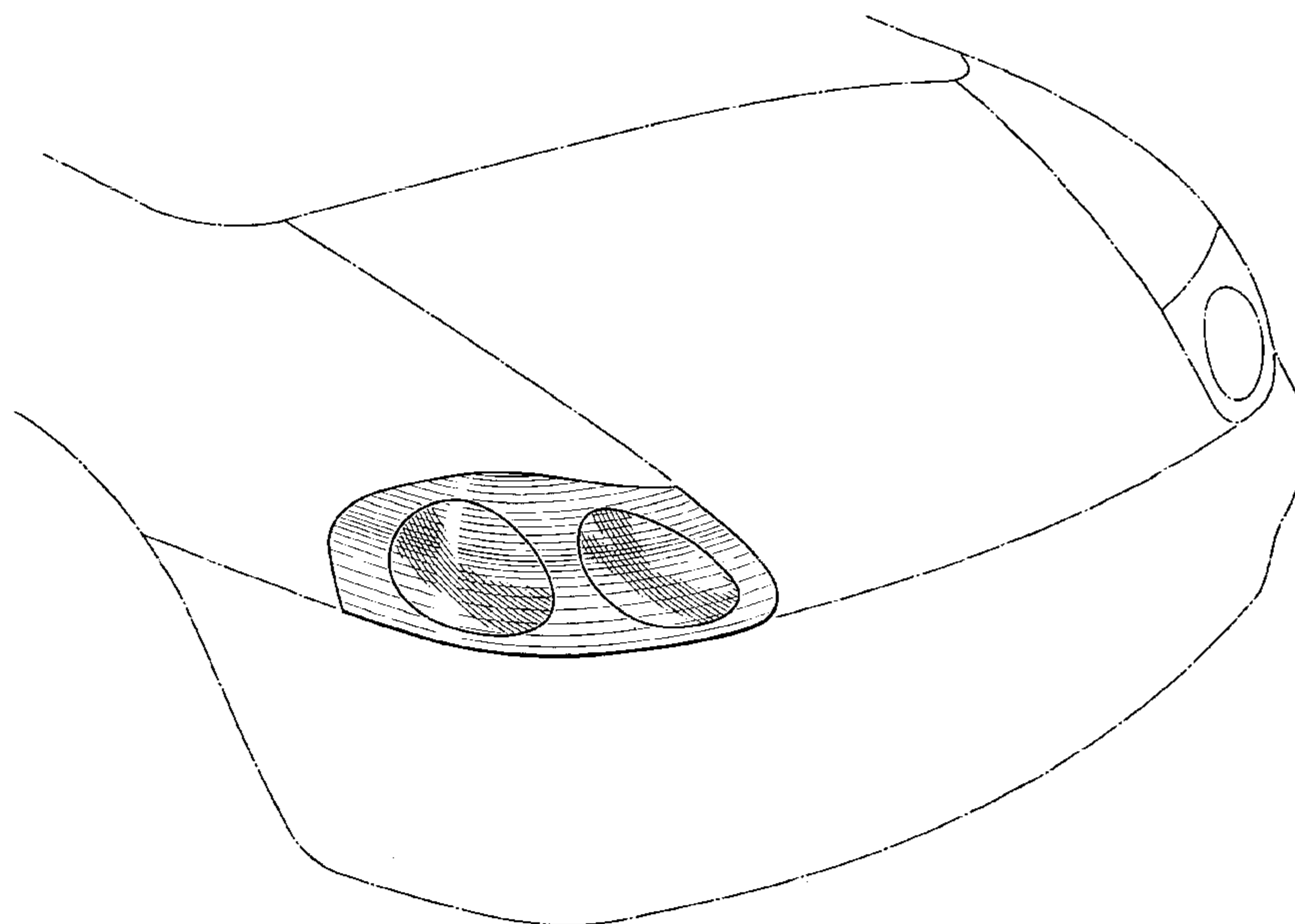
(57) **CLAIM**

The ornamental design for a vehicle rear end tail light, as shown and described.

**DESCRIPTION**

FIG. 1 is a perspective view of a vehicle rear end tail light showing my new design, the broken lines are shown for illustrative purposes only and form no part of the claimed design;  
FIG. 2 is a front elevational view thereof;  
FIG. 3 is a left side elevational view thereof;  
FIG. 4 is a right side elevational view thereof;  
FIG. 5 is a rear elevational view thereof;  
FIG. 6 is a top plan view thereof; and,  
FIG. 7 is a bottom plan view thereof.

**1 Claim, 3 Drawing Sheets**



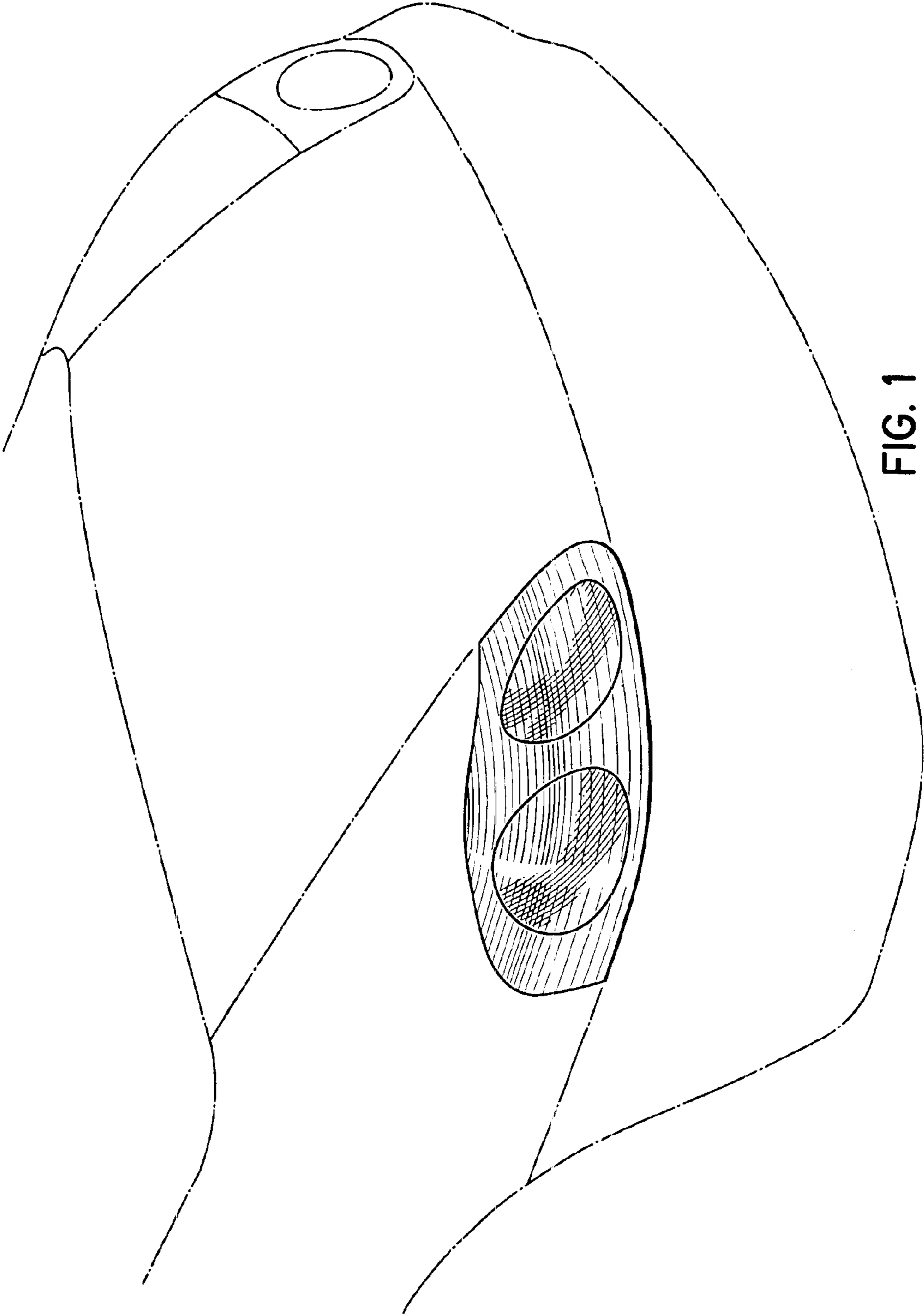


FIG. 1

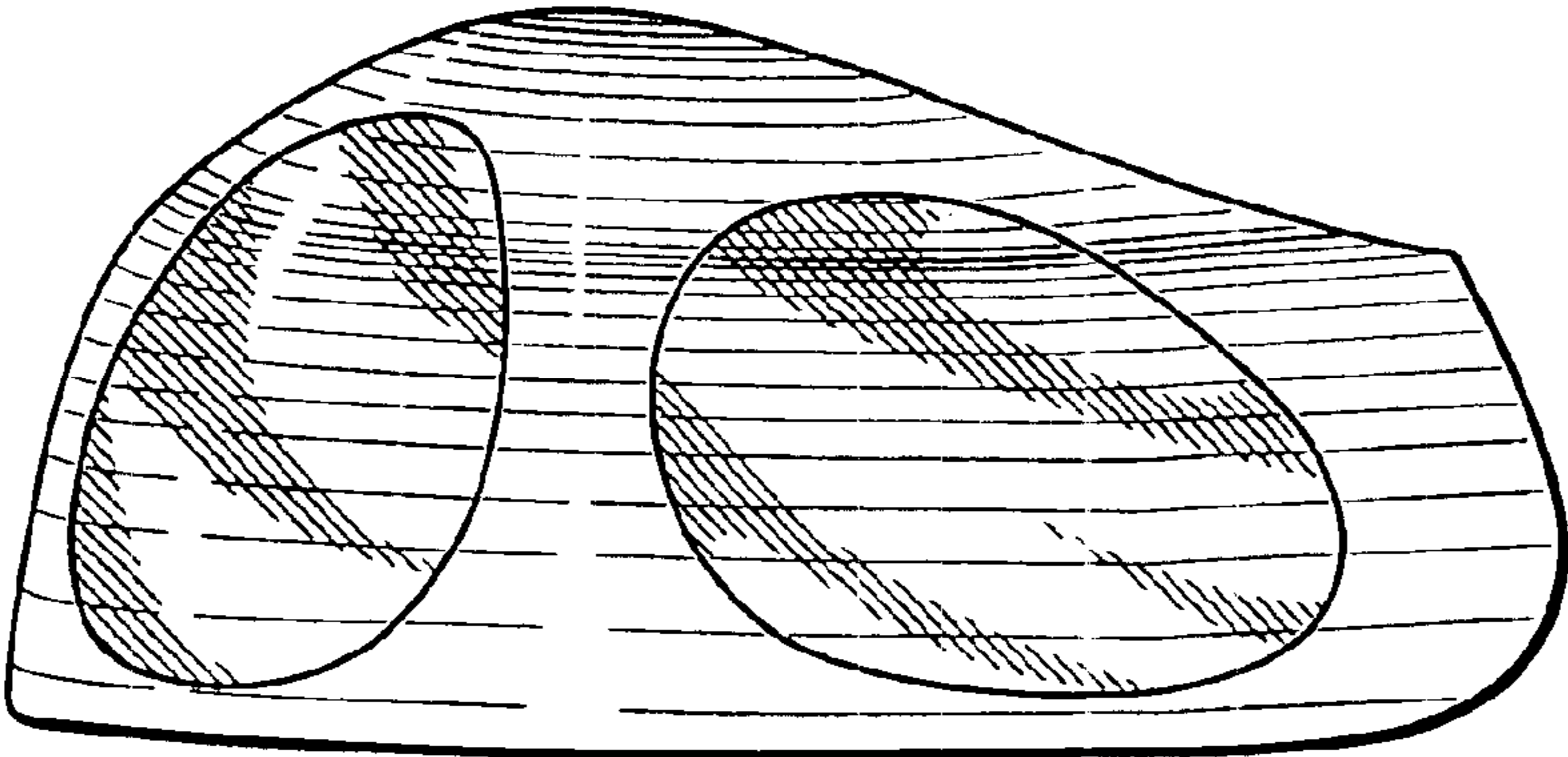


FIG. 2

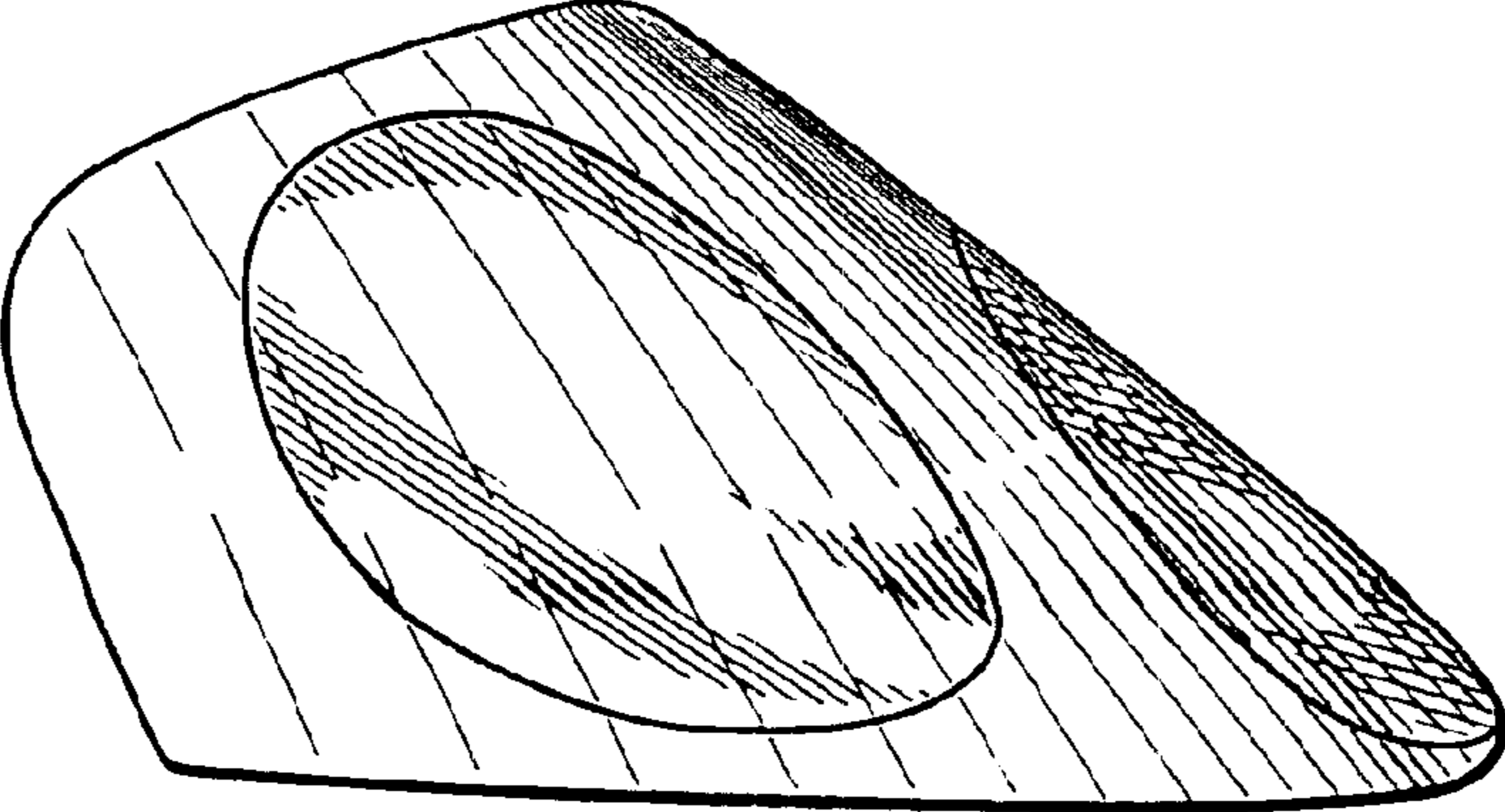


FIG. 3

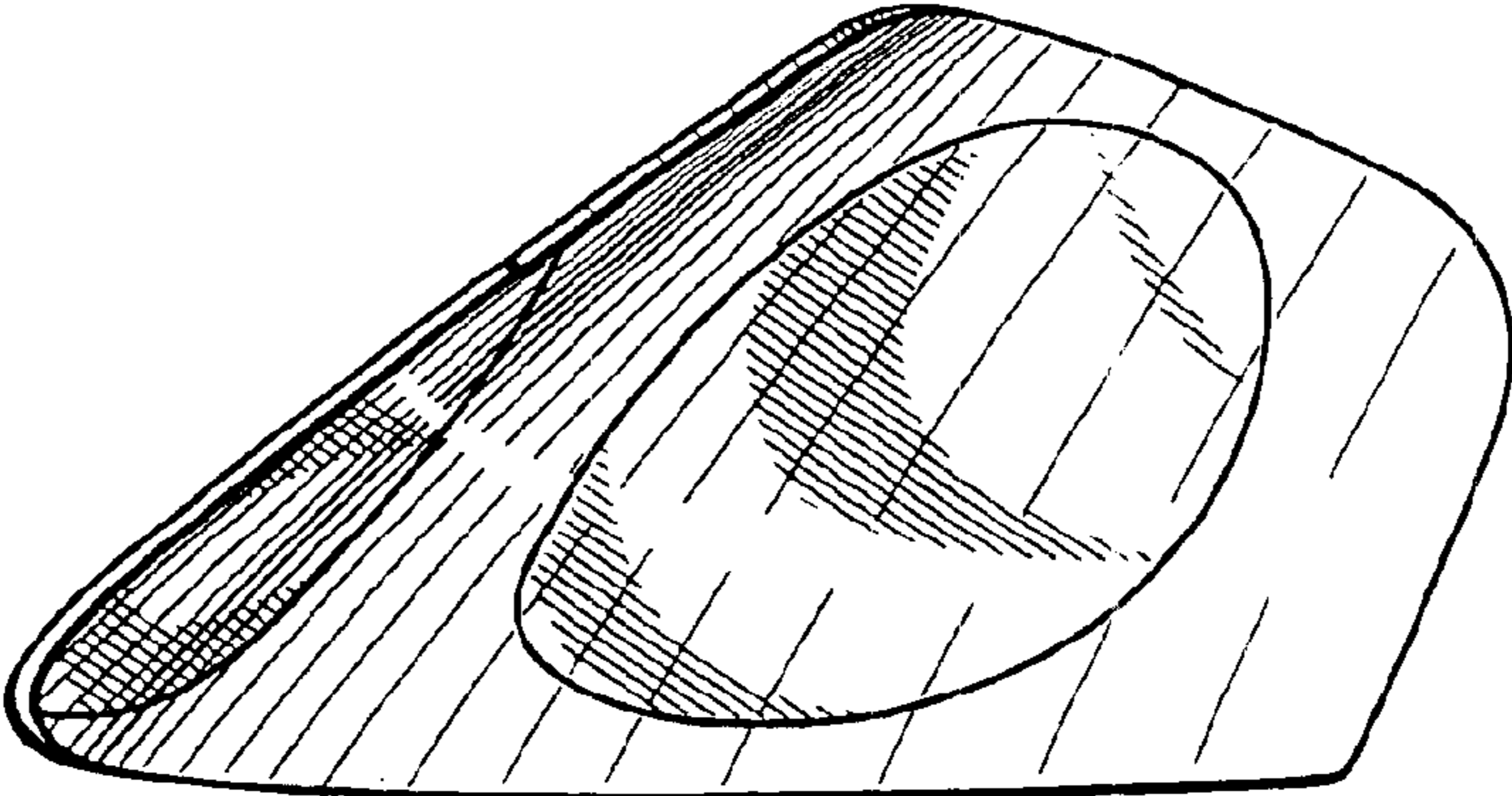


FIG. 4

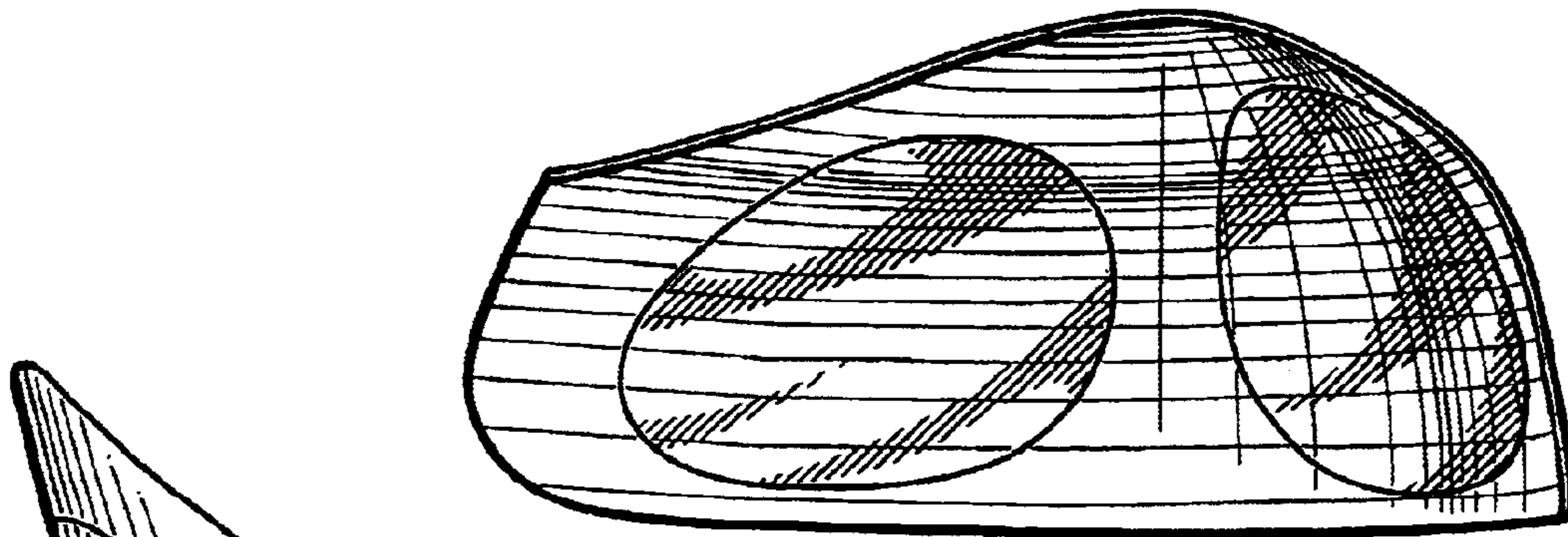


FIG. 5

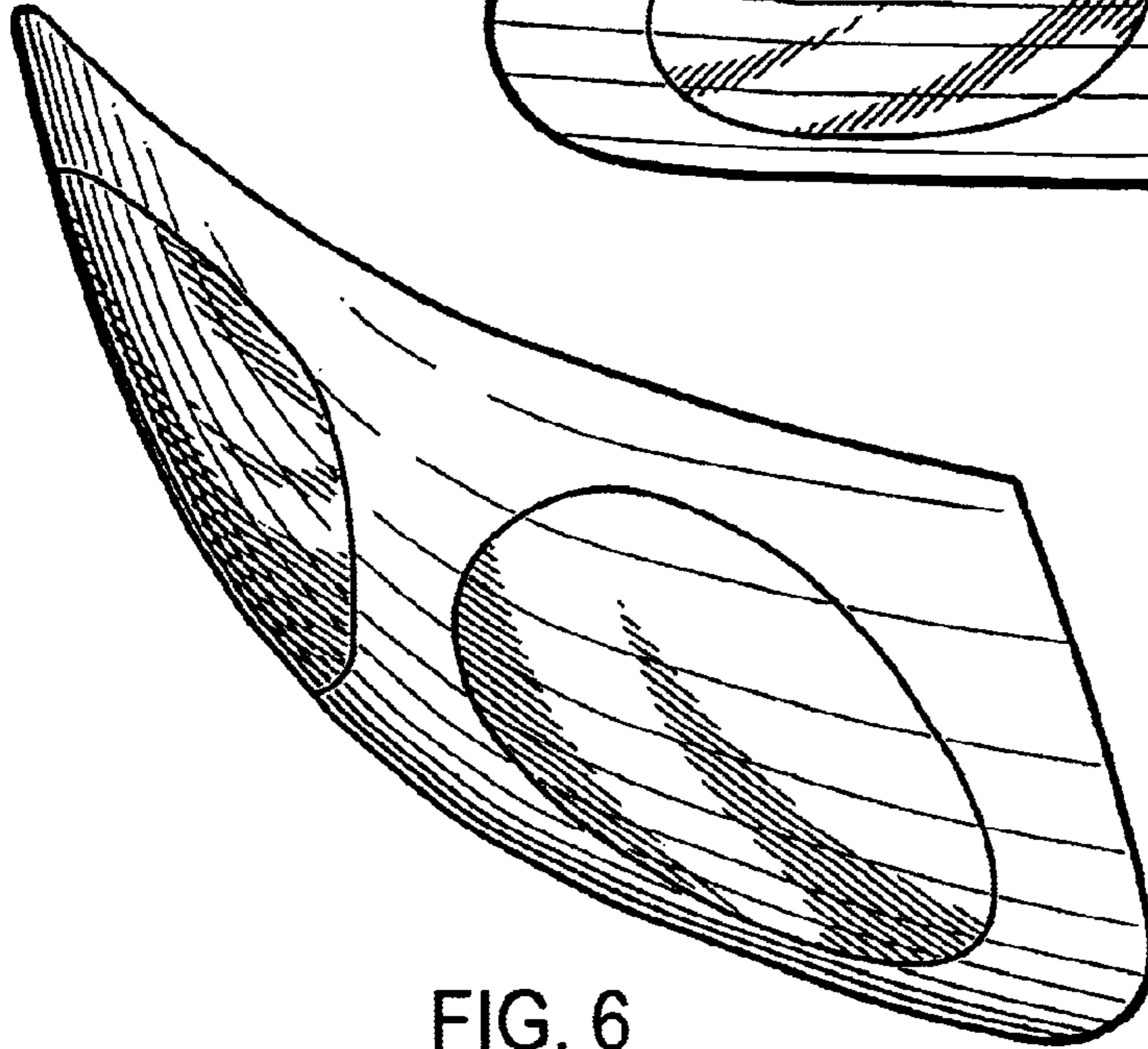


FIG. 6

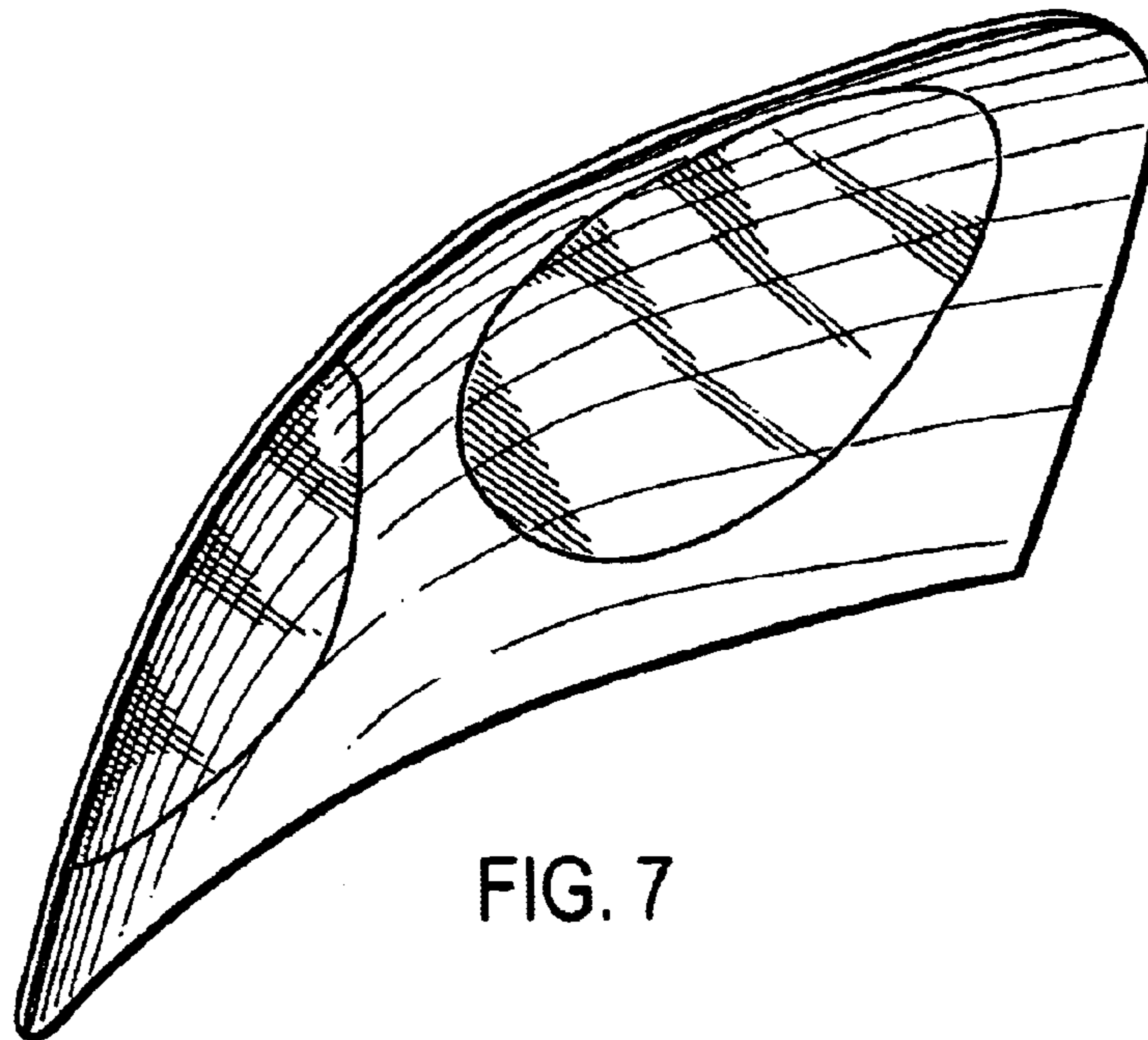


FIG. 7