

US00D503813S

(12) **United States Design Patent** (10) **Patent No.:** **US D503,813 S**
Steffes et al. (45) **Date of Patent:** **** Apr. 5, 2005**

(54) **POST BASE RING**

6,662,515 B2 12/2003 Buhrts et al.

(75) Inventors: **Stephen W. Steffes**, McPherson, KS (US); **David J. Stucky**, Grass Lake, MI (US); **Robert D. Shaw**, Parma, MI (US)

* cited by examiner

Primary Examiner—Doris Clark
(74) *Attorney, Agent, or Firm*—Paul & Paul

(73) Assignee: **CertainTeed Corporation**, Valley Forge, PA (US)

(57) **CLAIM**

The ornamental design for a post base ring, as shown and described.

(**) Term: **14 Years**

DESCRIPTION

(21) Appl. No.: **29/201,030**

FIG. 1 is a front elevational view of a post base ring embodying the new design.

(22) Filed: **Mar. 9, 2004**

The rear, left side and right side illustrations of the post base ring appear as in FIG. 1.

(51) **LOC (7) Cl.** **25-01**

FIG. 2 is a top view of the post base ring embodying the new design.

(52) **U.S. Cl.** **D25/133**

FIG. 3 is a top perspective view of the post base ring embodying the new design; and,

(58) **Field of Search** D25/135, 133;
52/721.3, 721.5, 723.2, 737.5; 256/65.14,
65.01

FIG. 4 is a vertical sectional view taken through the post base ring of FIG. 1, generally along the line IV—IV of FIG. 1.

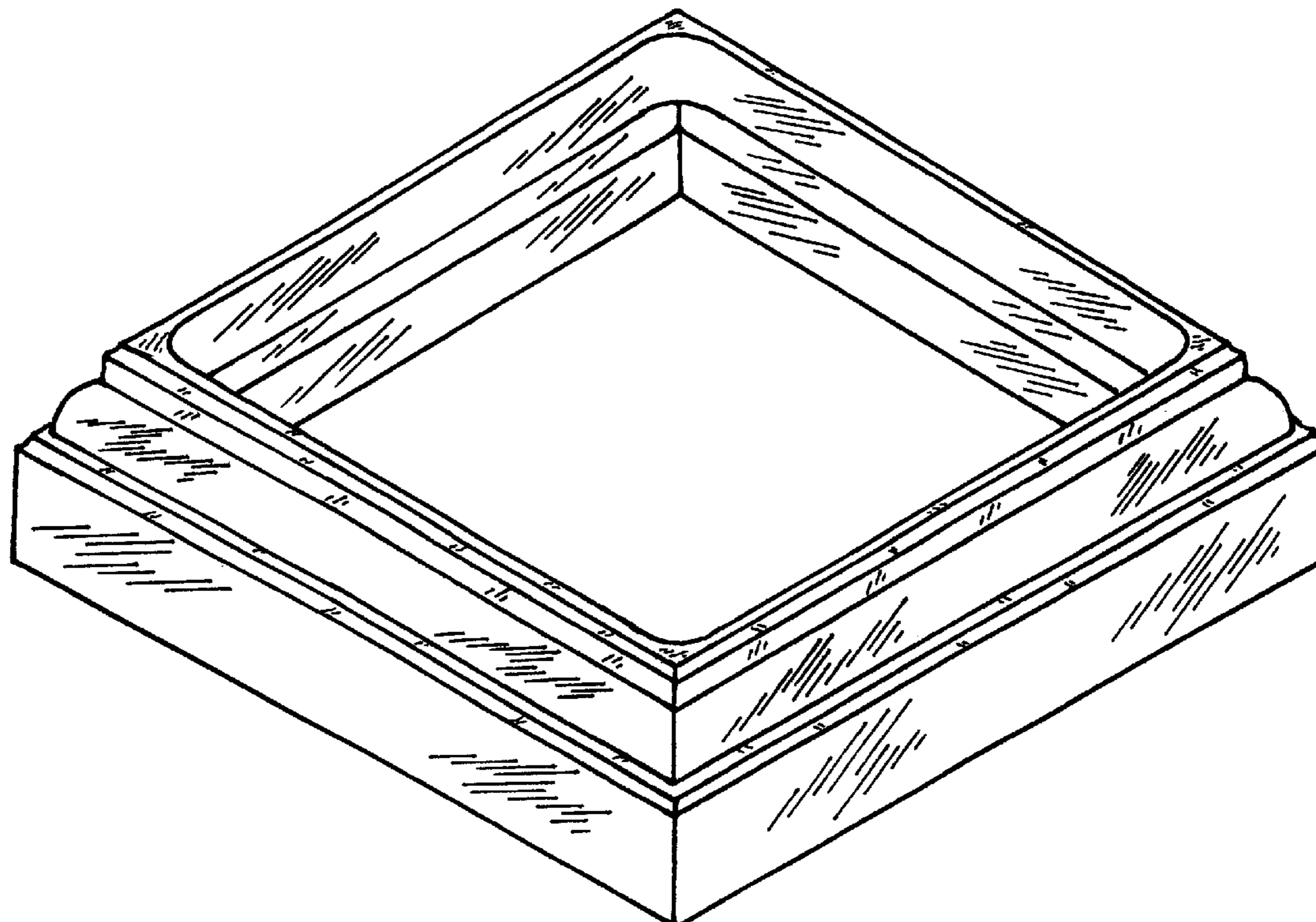
(56) **References Cited**

The broken lines on the drawings are for purposes of illustrating the environment of those portions of the post base ring that are shown in solid lines. The broken lines form no part of the design of this invention, but are environmental structure.

U.S. PATENT DOCUMENTS

- 4,722,514 A 2/1988 Pettit
- 5,853,167 A 12/1998 West et al.
- D440,326 S * 4/2001 Kohlberger et al. D25/133
- D470,601 S * 2/2003 Kohlberger et al. D25/133

1 Claim, 2 Drawing Sheets



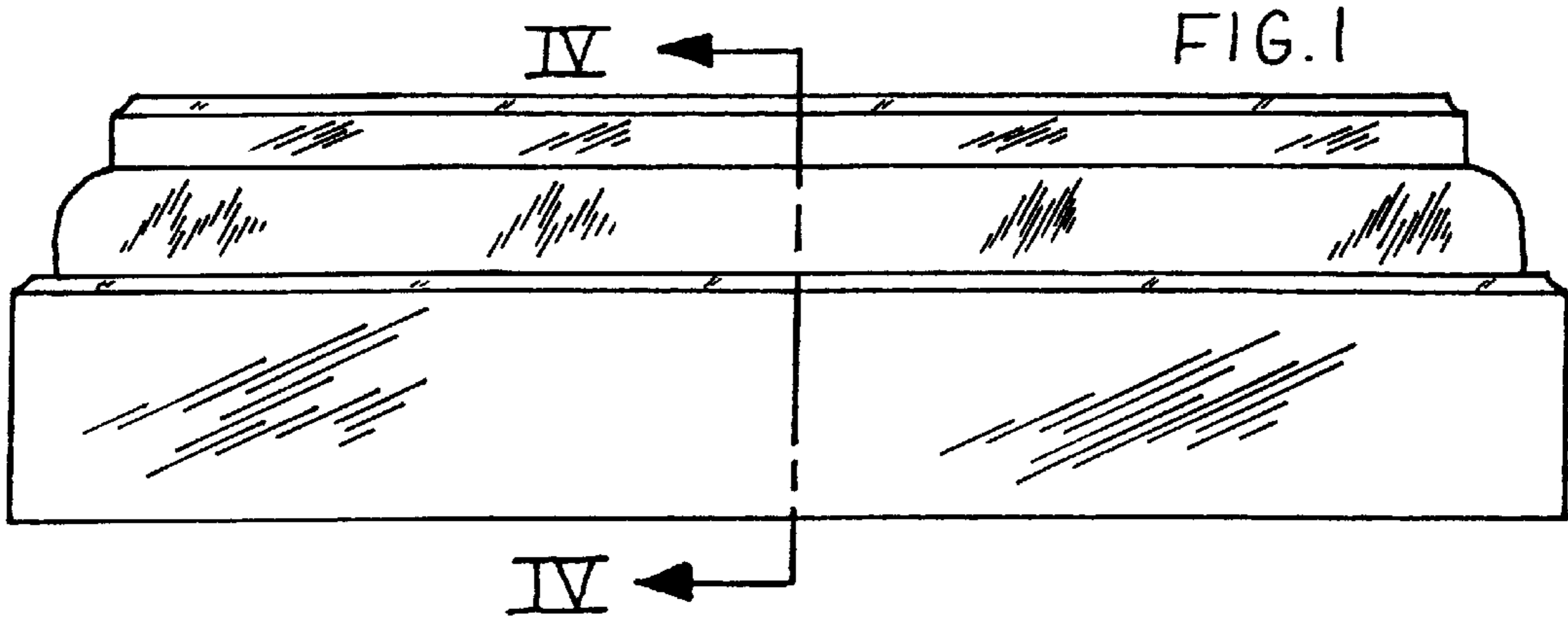


FIG. 1

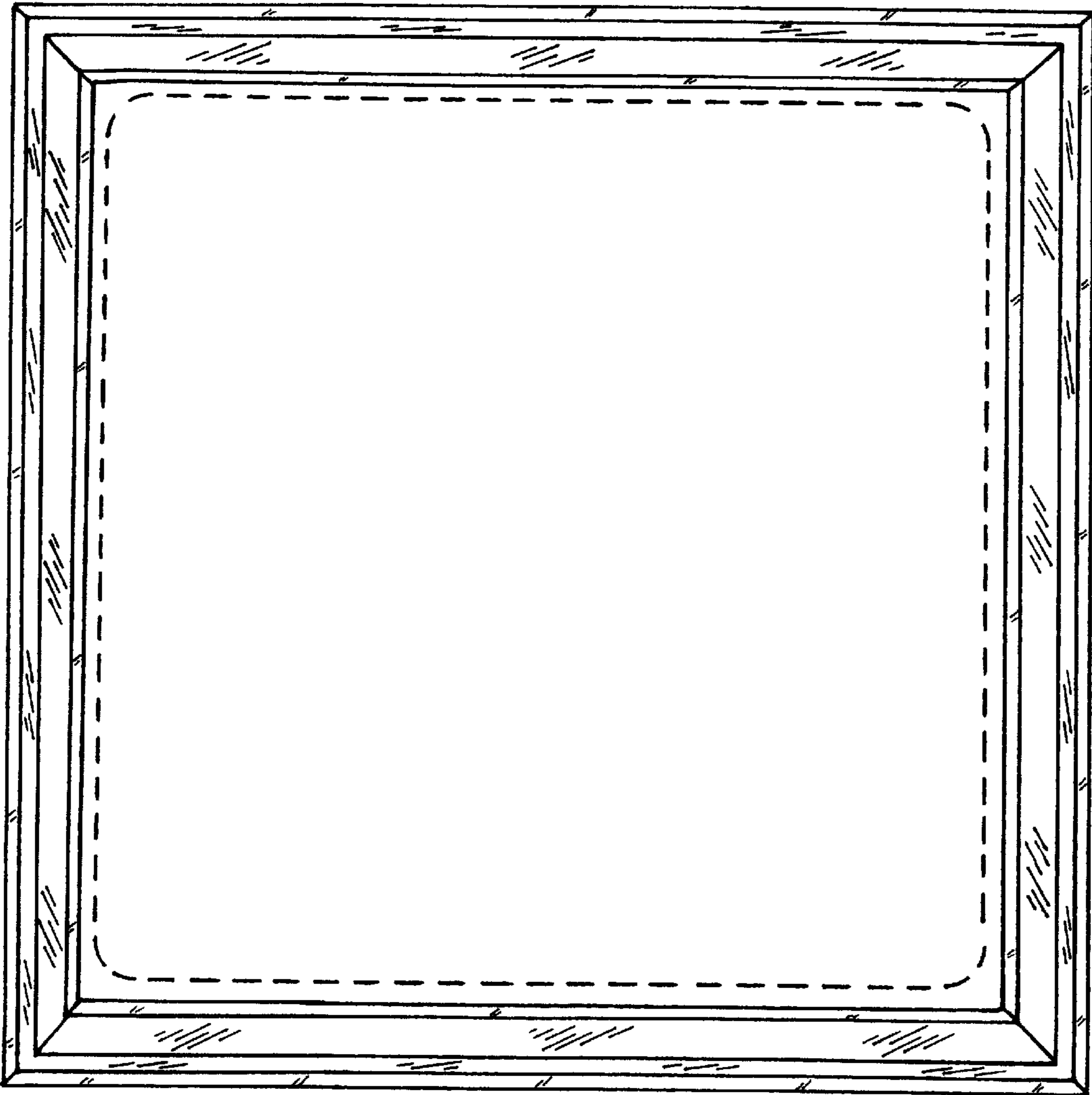


FIG. 2

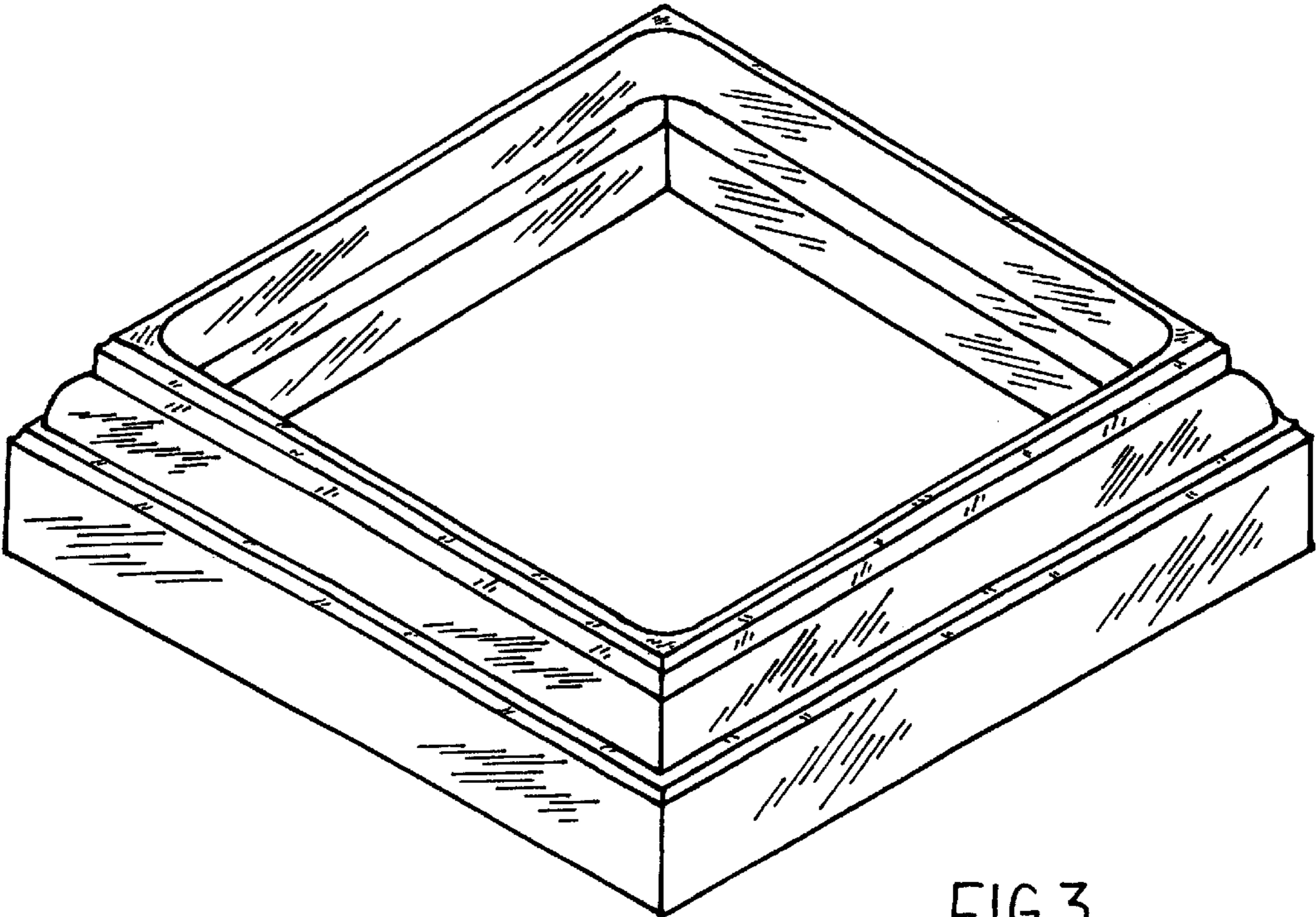


FIG. 3

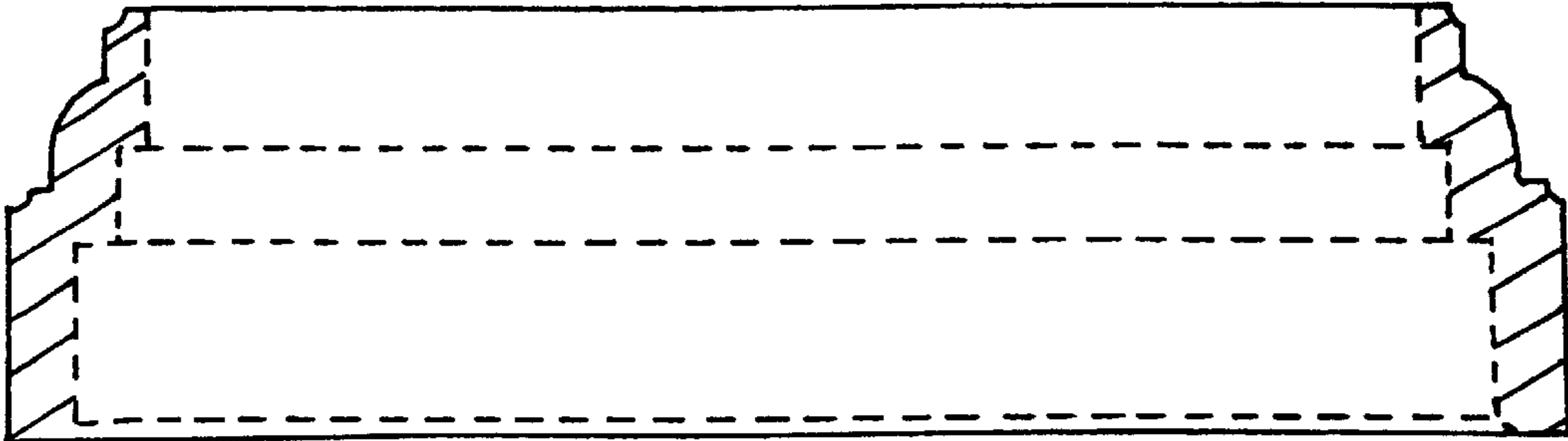


FIG. 4