



US00D503812S

(12) **United States Design Patent**  
**Habeck et al.**

(10) **Patent No.:** **US D503,812 S**

(45) **Date of Patent:** **\*\* Apr. 5, 2005**

(54) **SASH WITH LIFTRAIL FOR A WINDOW**

(75) **Inventors:** **Jerome Carl Habeck**, Holt, MI (US);  
**Stanley M. Gursky**, Yardley, PA (US);  
**Dennis C. Westphal**, Parma, MI (US);  
**Edward M. McIntosh**, West Chester,  
PA (US)

(73) **Assignee:** **CertainTeed Corporation**, Valley  
Forge, PA (US)

(\*\*) **Term:** **14 Years**

(21) **Appl. No.:** **29/178,769**

(22) **Filed:** **Mar. 31, 2003**

(51) **LOC (7) Cl.** ..... **25-01**

(52) **U.S. Cl.** ..... **D25/124**

(58) **Field of Search** ..... D25/124; 49/501,  
49/505, DIG. 2; 52/204.1, 204.5, 204.55,  
204.63, 204.7, 204.69, 204.6

(56) **References Cited**

**U.S. PATENT DOCUMENTS**

D381,093 S \* 7/1997 DiGiorgio ..... D25/124  
D381,095 S \* 7/1997 DiGiorgio ..... D25/124  
D438,646 S \* 3/2001 Habeck et al. .... D25/124

\* cited by examiner

*Primary Examiner*—Doris Clark

(74) *Attorney, Agent, or Firm*—Duane Morris LLP

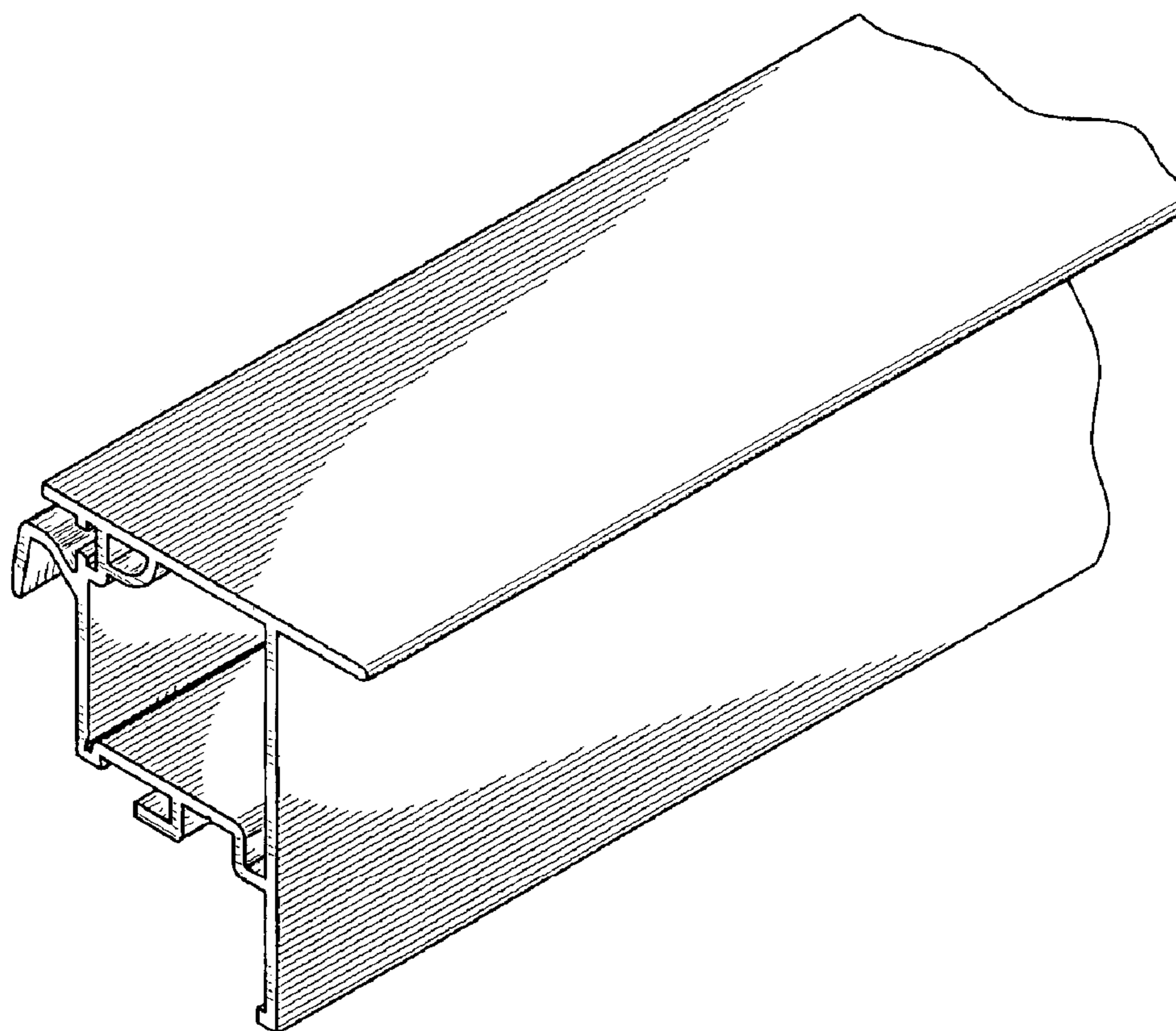
(57) **CLAIM**

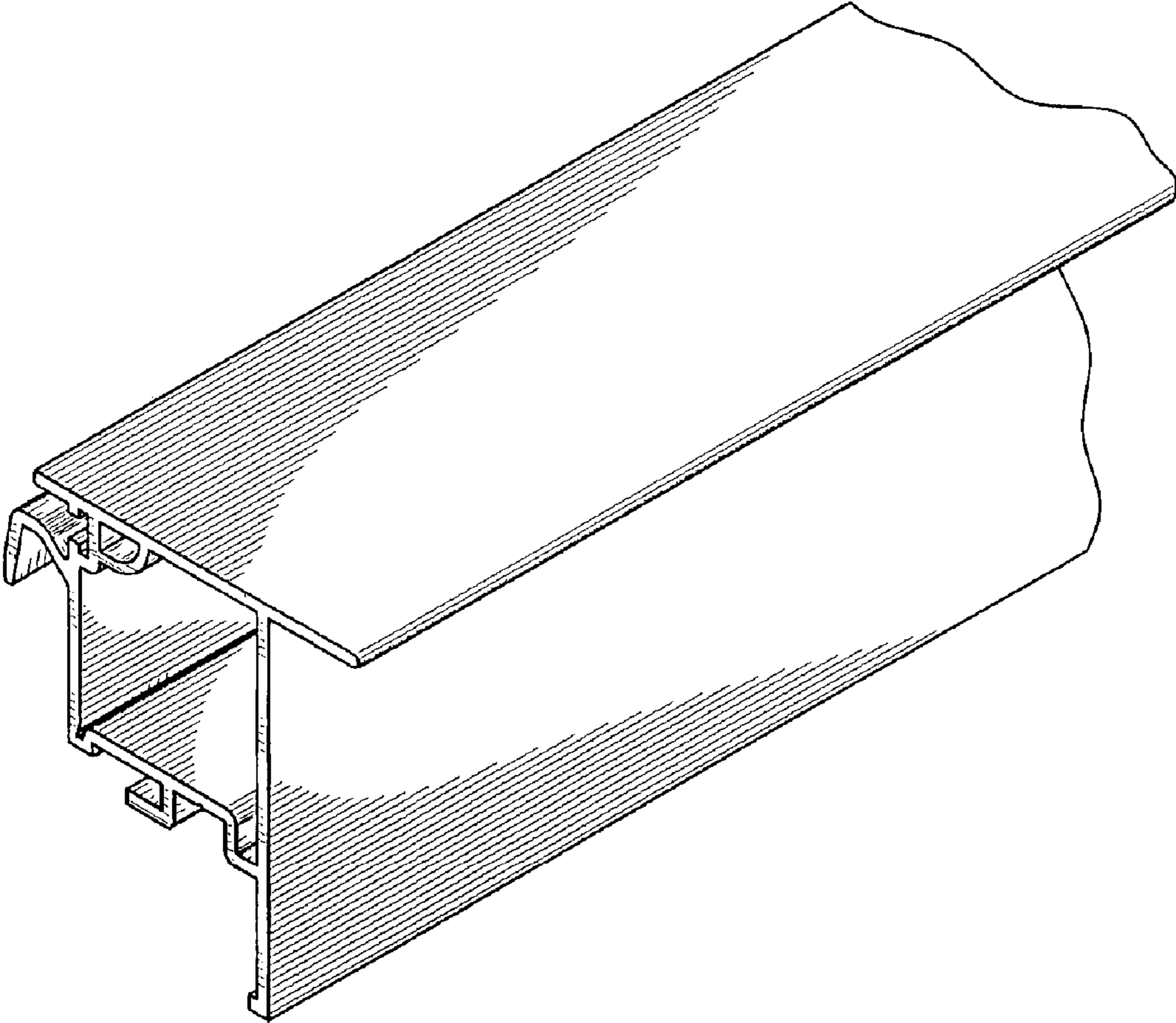
The ornamental design for a sash with liftrail for a window,  
as shown and described.

**DESCRIPTION**

The FIGURE a front perspective view of a sash with liftrail  
for a window, showing our new design, the rear perspective  
view being a mirror image, and which is shown fragmented  
indicating indefinite length.

**1 Claim, 1 Drawing Sheet**





THE FIGURE