

US00D503808S

(12) **United States Design Patent**
Stokes et al.

(10) **Patent No.:** **US D503,808 S**
(45) **Date of Patent:** **** Apr. 5, 2005**

(54) **MICROBIAL COLONY COUNTER**
(75) Inventors: **Leslie Stokes**, London (GB); **Matthew Miles**, Herts (GB); **Peter Holdcroft**, Herts (GB)

3,720,812 A * 3/1973 Downs 377/10
3,811,036 A * 5/1974 Perry 377/10
6,243,486 B1 * 6/2001 Weiss 382/133

* cited by examiner

(73) Assignee: **Synoptics Limited**, Cambridge (GB)
(**) Term: **14 Years**

Primary Examiner—Ian Simmons
(74) *Attorney, Agent, or Firm*—George R. McGuire; Bond, Schoeneck & King, PLLC

(21) Appl. No.: **29/174,705**
(22) Filed: **Jan. 22, 2003**

(57) **CLAIM**

The ornamental design for a microbial colony counter, as shown and described.

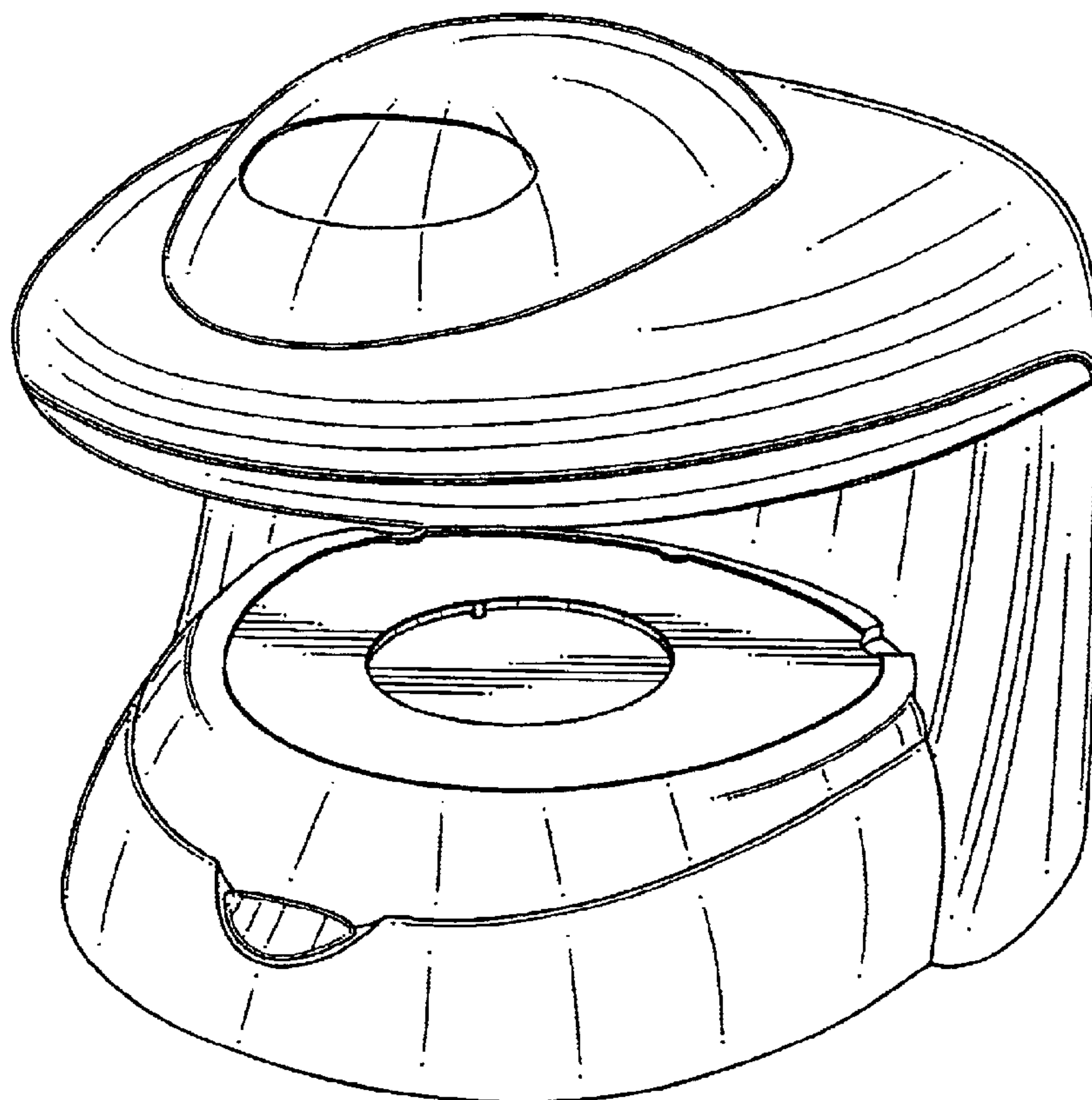
(30) **Foreign Application Priority Data**
Aug. 28, 2002 (GB) 3006537
(51) **LOC (7) Cl.** **24-01**
(52) **U.S. Cl.** **D24/216**
(58) **Field of Search** D24/216; 435/384, 435/385, 30-34, 39, 40; 377/6, 10; 382/133

DESCRIPTION

FIG. 1 is a perspective view of a microbial colony counter, showing our new design.
FIG. 2 is a front view thereof;
FIG. 3 is a rear view thereof;
FIG. 4 is a left side view thereof;
FIG. 5 is a right side view thereof;
FIG. 6 is a top plan view thereof; and,
FIG. 7 is a bottom plan view thereof.

(56) **References Cited**
U.S. PATENT DOCUMENTS
3,344,259 A * 9/1967 Degelman 377/6

1 Claim, 4 Drawing Sheets



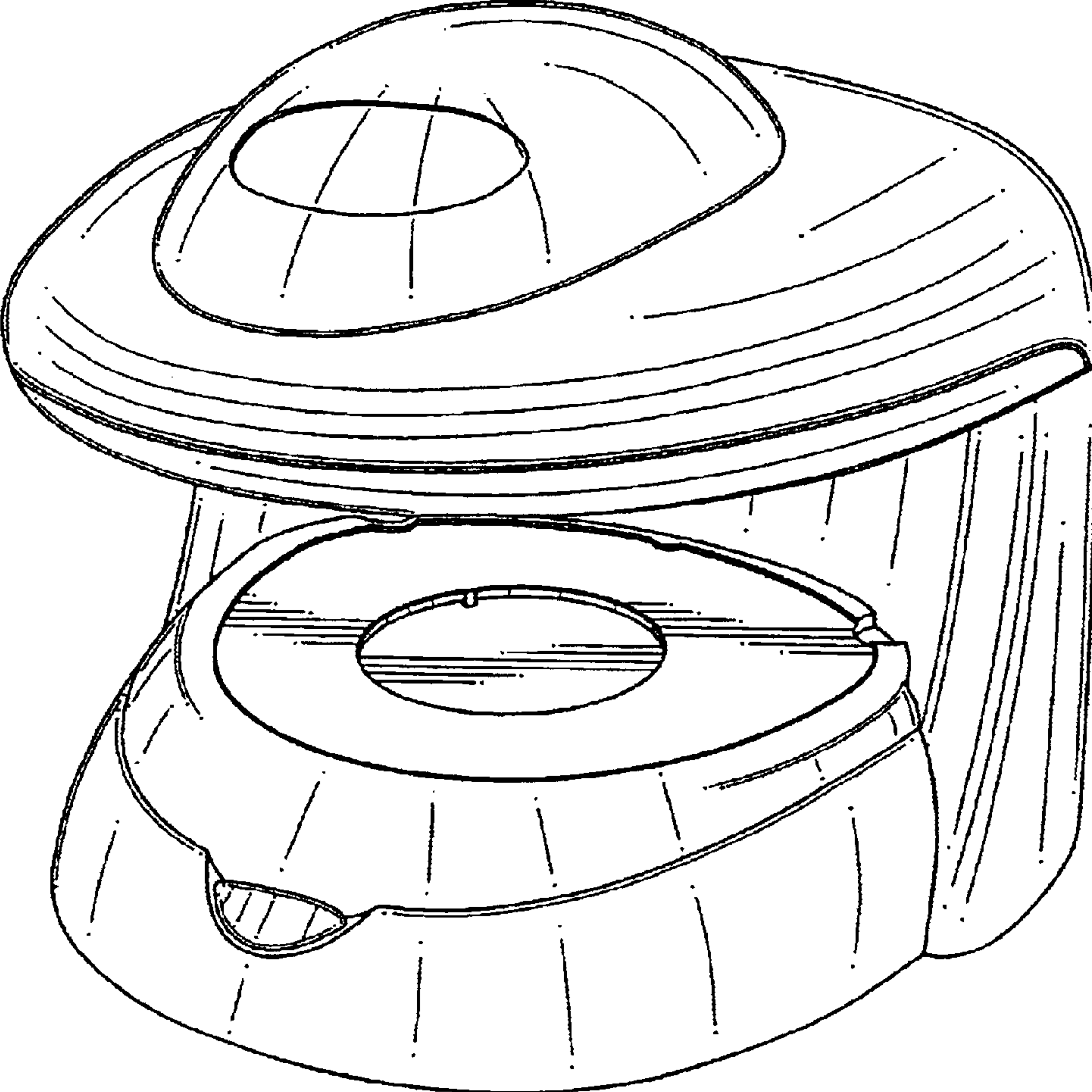


FIG. 1

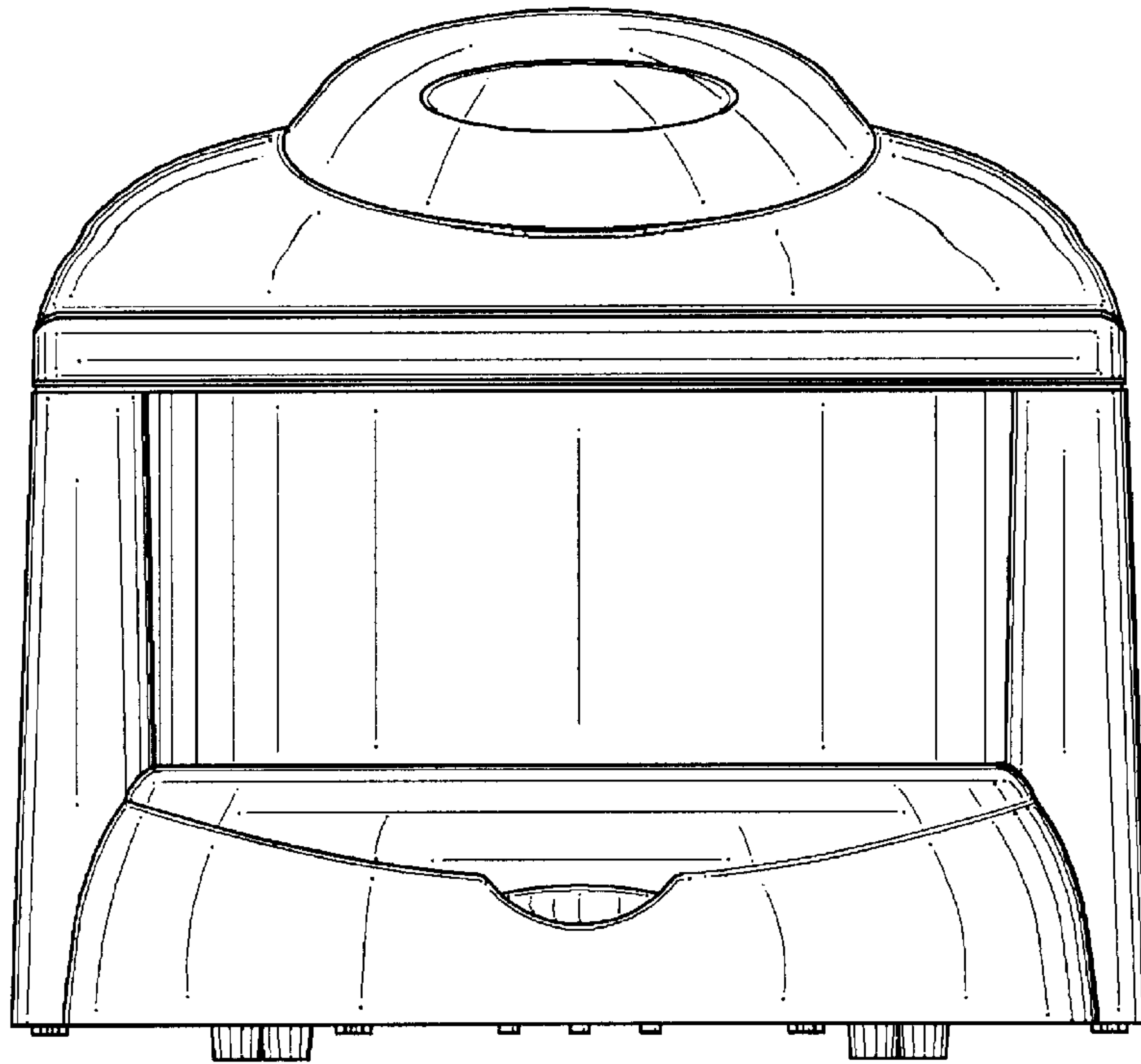


FIG. 2

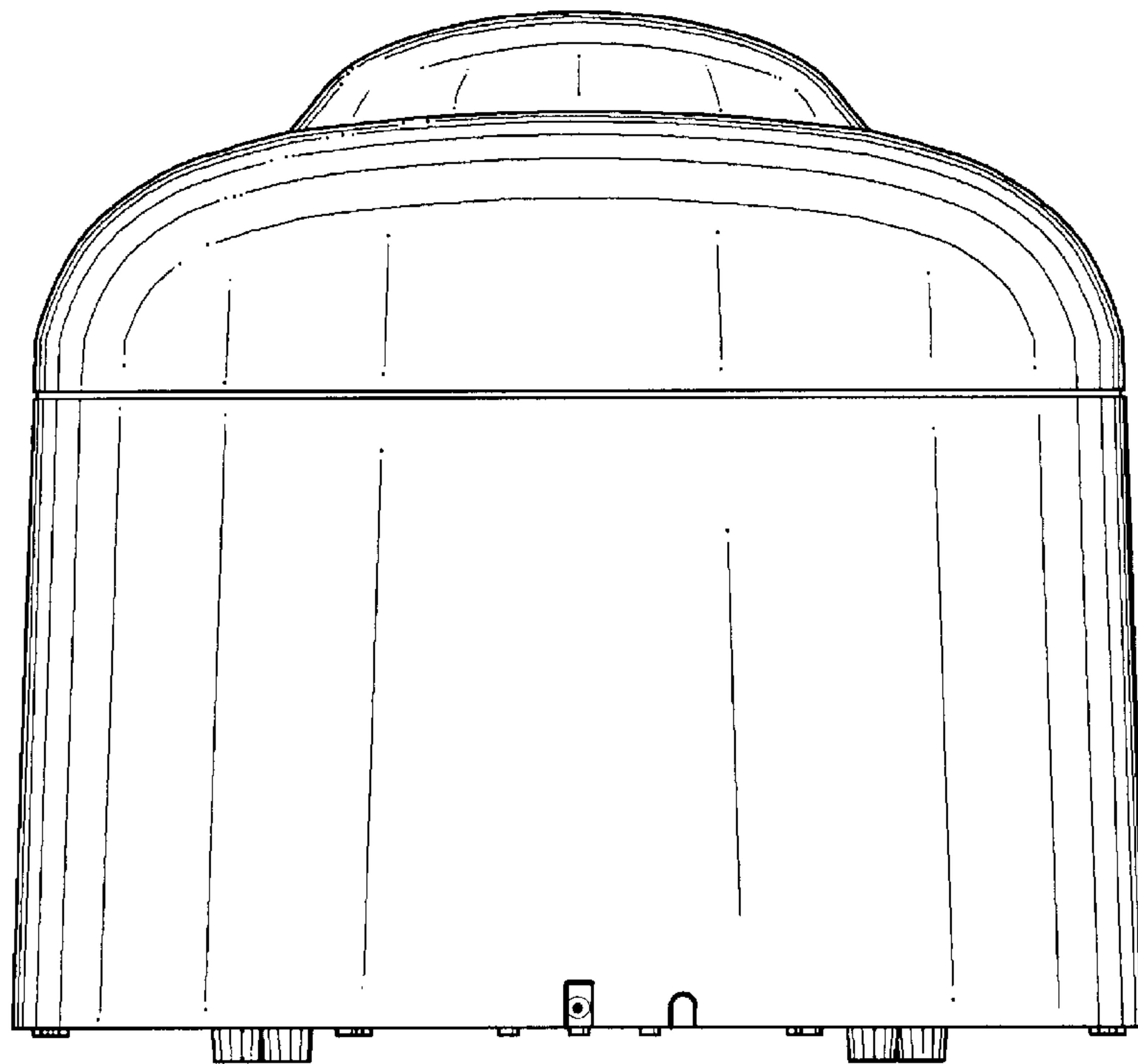


FIG. 3

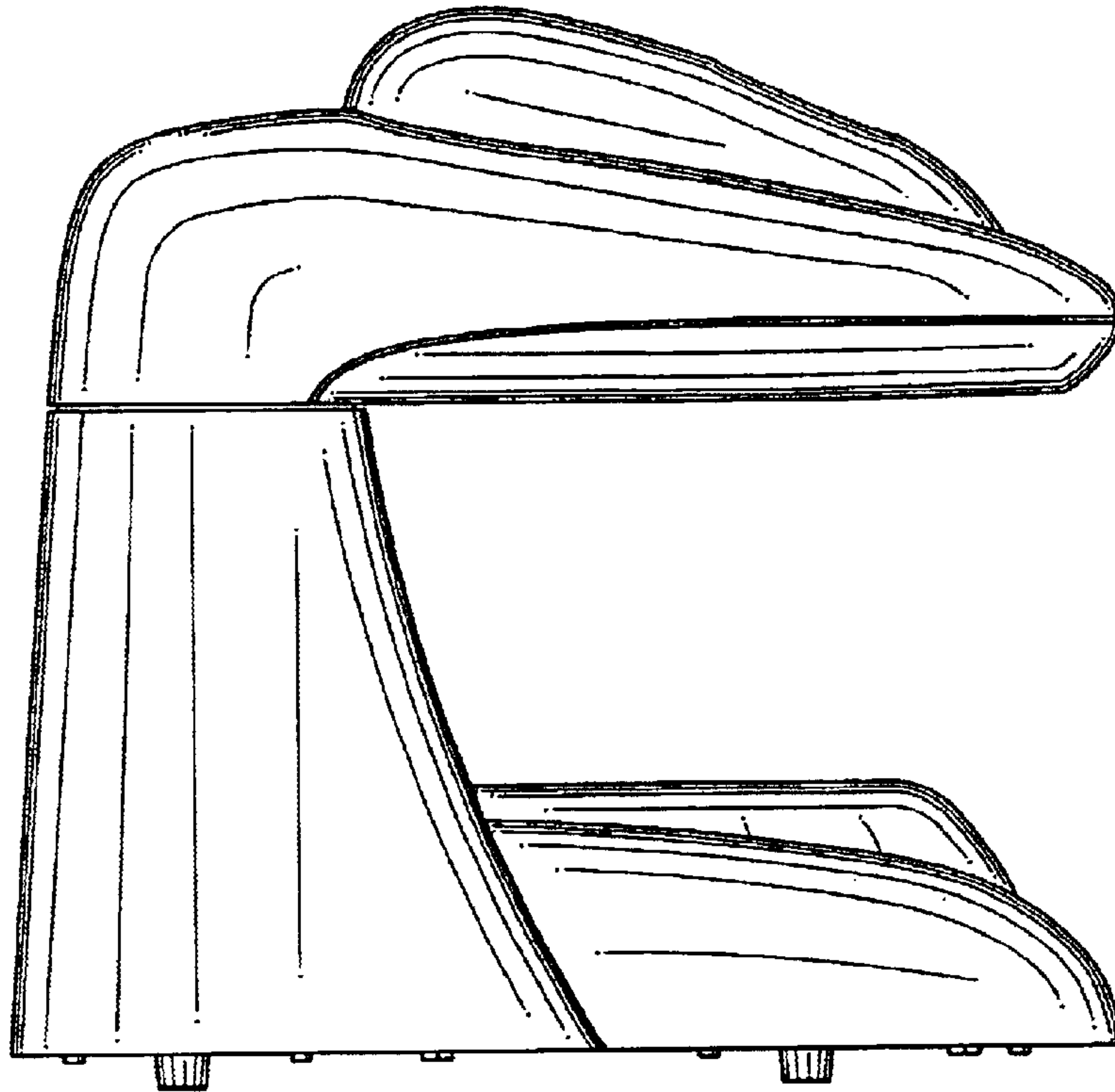


FIG. 4

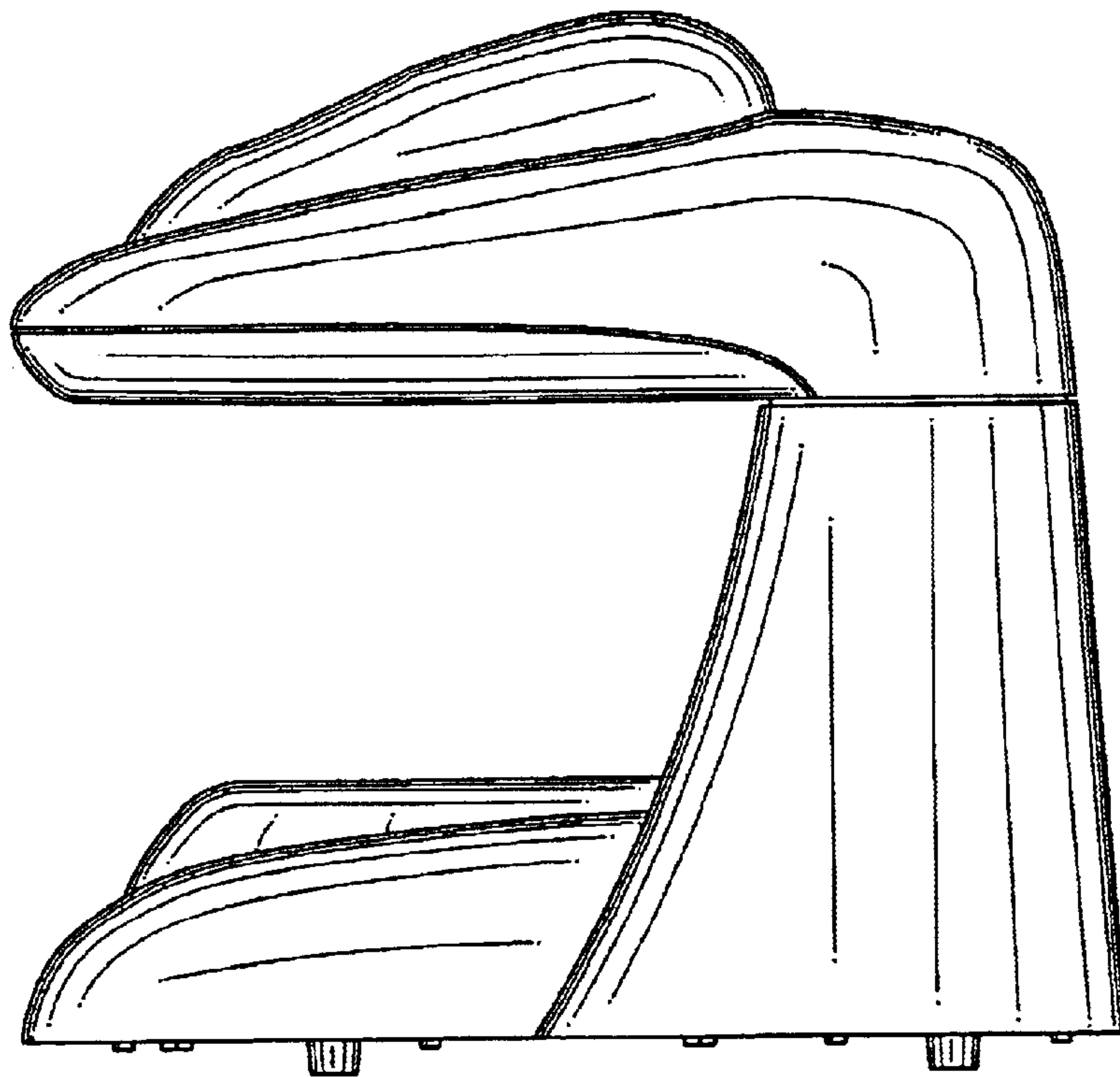


FIG. 5

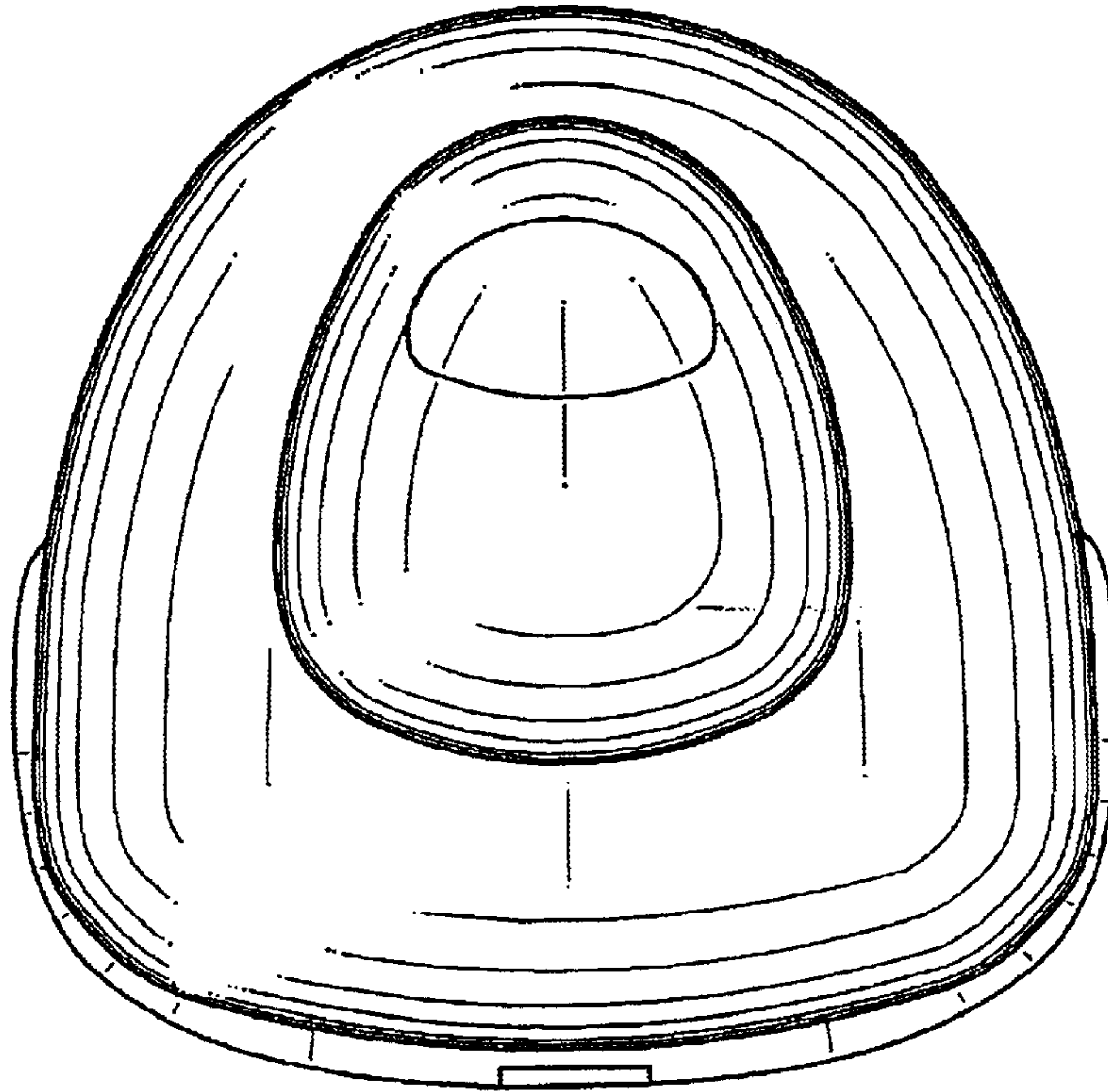


FIG. 6

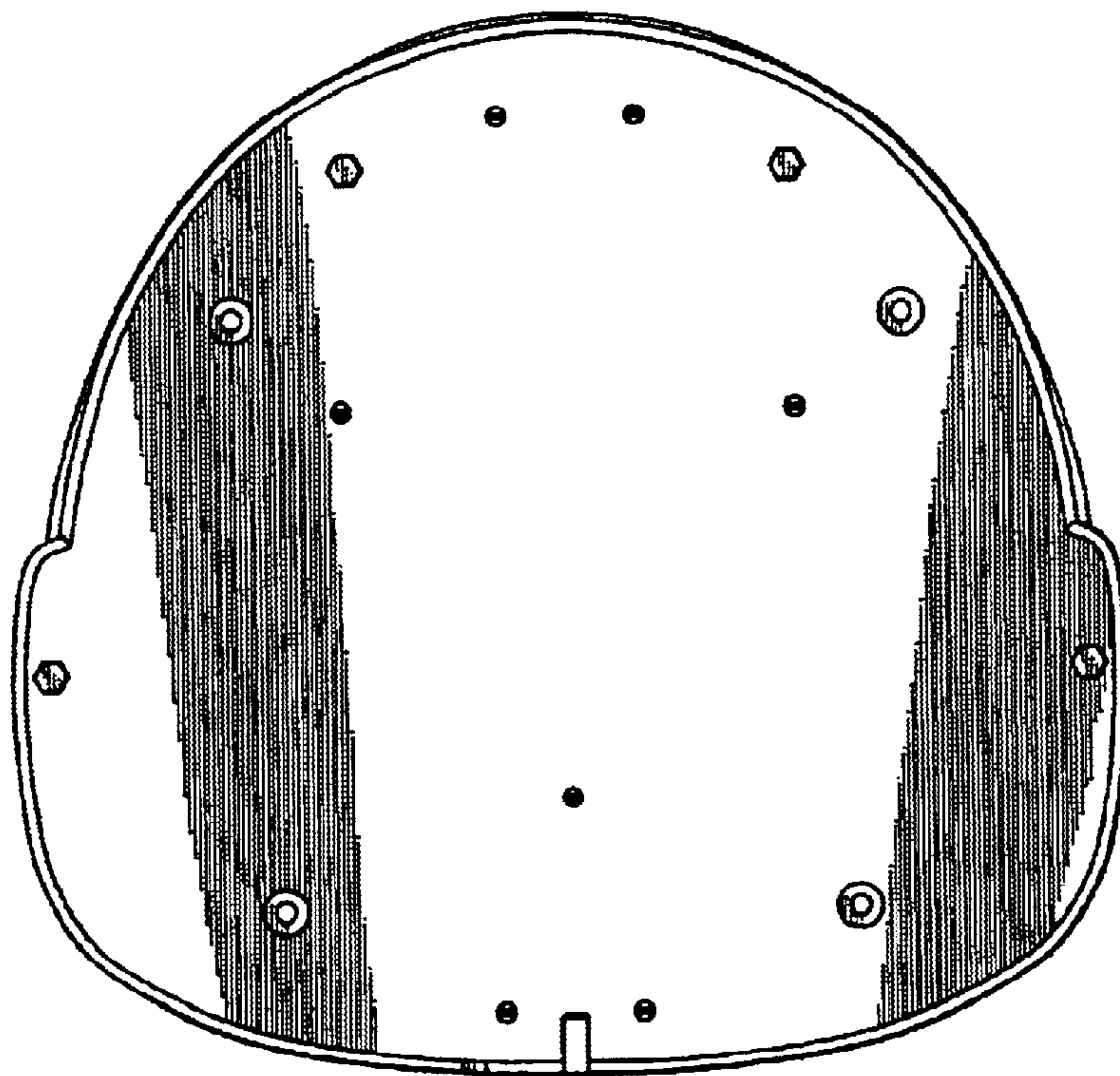


FIG. 7