

US00D503805S

(12) **United States Design Patent**  
**Lai et al.**

(10) **Patent No.:** **US D503,805 S**  
(45) **Date of Patent:** **\*\* Apr. 5, 2005**

(54) **FACIAL PORTION OF AN ORTHODONTIC APPLIANCE**

(75) Inventors: **Ming-Lai Lai**, Arcadia, CA (US);  
**Jirina V. Pospisil**, Hacienda Heights, CA (US)

(73) Assignee: **3M Innovative Properties Company**,  
St. Paul, MN (US)

(\*\*) Term: **14 Years**

(21) Appl. No.: **29/198,686**

(22) Filed: **Feb. 3, 2004**

(51) **LOC (7) Cl.** ..... **24-99**

(52) **U.S. Cl.** ..... **D24/180**

(58) **Field of Search** ..... D24/152, 153,  
D24/154, 155, 156, 180, 182, 140, 141;  
433/8, 9, 10, 13, 16

(56) **References Cited**

**U.S. PATENT DOCUMENTS**

2,368,851 A	2/1945	Laskin	
3,578,744 A	5/1971	Wildman	
3,765,091 A	10/1973	Northcutt	
3,922,787 A	12/1975	Fischer et al.	
RE28,889 E	7/1976	Wildman	
3,969,821 A	7/1976	Lee, Jr. et al.	
4,107,844 A	8/1978	Kurz	
4,219,617 A	8/1980	Wallshein	
4,531,911 A	7/1985	Creekmore	
D289,329 S	* 4/1987	Evans	D24/180
D290,040 S	5/1987	Kelly	
4,820,151 A	4/1989	Pospisil	
D303,708 S	* 9/1989	Pospisil	D24/180
D304,077 S	10/1989	Pospisil	
4,878,840 A	11/1989	Reynolds	
4,936,773 A	6/1990	Kawaguchi	
D315,957 S	4/1991	Kelly et al.	
D322,482 S	* 12/1991	Ianieri et al.	D24/180
5,095,602 A	3/1992	Reher et al.	
D331,975 S	12/1992	Pospisil	
5,269,681 A	12/1993	Degnan	

5,358,402 A	10/1994	Reed et al.	
5,366,372 A	11/1994	Hansen et al.	
5,380,196 A	1/1995	Kelly et al.	
D358,649 S	* 5/1995	Moschik	D24/180
5,439,379 A	8/1995	Hansen	
6,648,638 B2	11/2003	Castro et al.	
6,709,268 B2	3/2004	Pospisil	
2003/0113683 A1	6/2003	Puttler et al.	

\* cited by examiner

*Primary Examiner*—Charles A. Rademaker

(74) *Attorney, Agent, or Firm*—James D. Christoff

(57) **CLAIM**

The ornamental design for a facial portion of an orthodontic appliance, as shown and described.

**DESCRIPTION**

FIG. 1 is a bottom, front, left side perspective view of a facial portion of an orthodontic appliance showing our new design;

FIG. 2 is a top, rear, left side perspective view thereof;

FIG. 3 is a left side elevational view thereof;

FIG. 4 is a right side elevational view thereof;

FIG. 5 is a top plan view thereof;

FIG. 6 is a bottom view thereof;

FIG. 7 is a front elevational view thereof;

FIG. 8 is a rear elevational view thereof;

FIG. 9 is a bottom, front, left side perspective view of a facial portion of an orthodontic appliance illustrating another embodiment of our new design;

FIG. 10 is a top, rear, left side perspective view thereof;

FIG. 11 is a left side elevational view thereof;

FIG. 12 is a right side elevational view thereof;

FIG. 13 is a top plan view thereof;

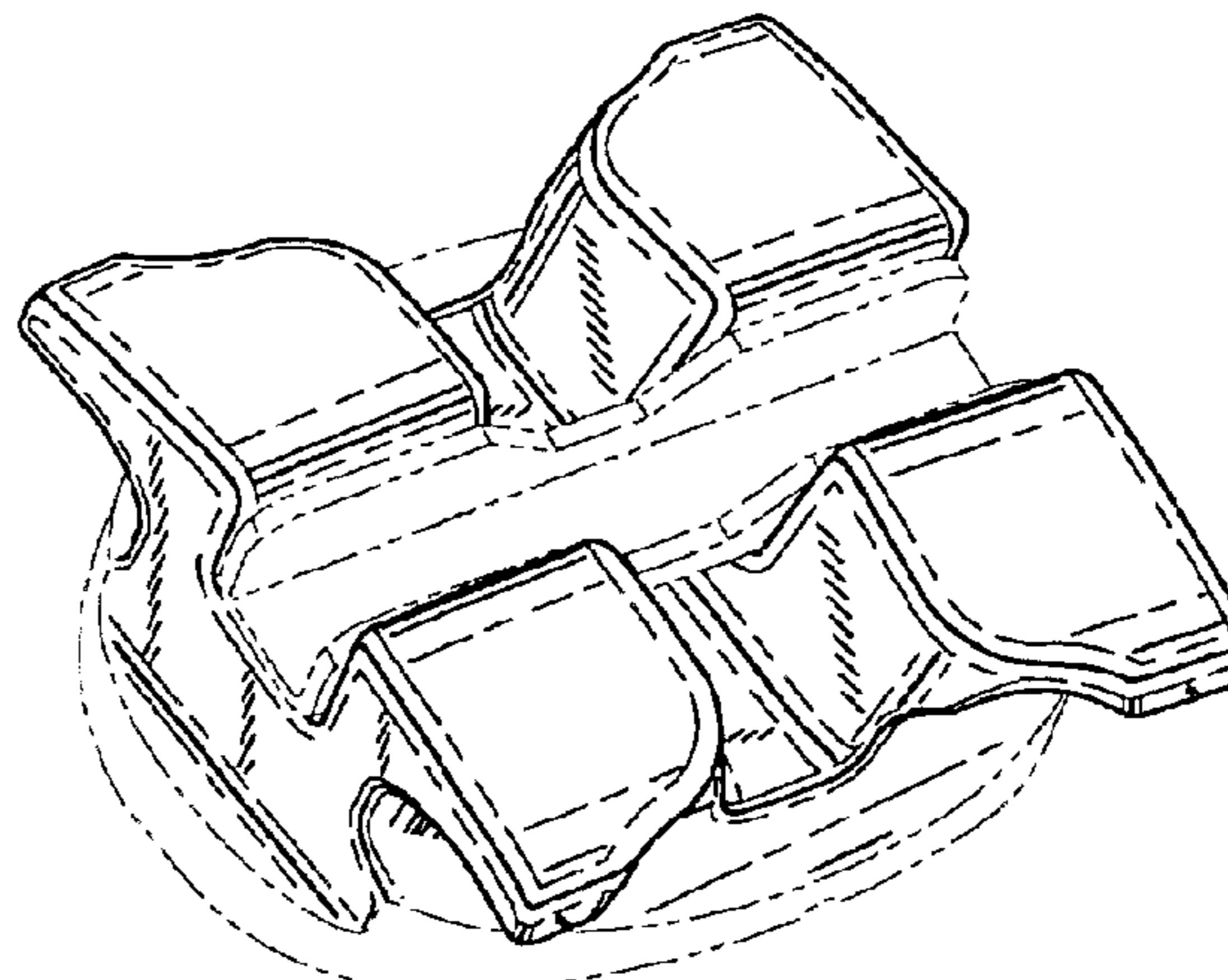
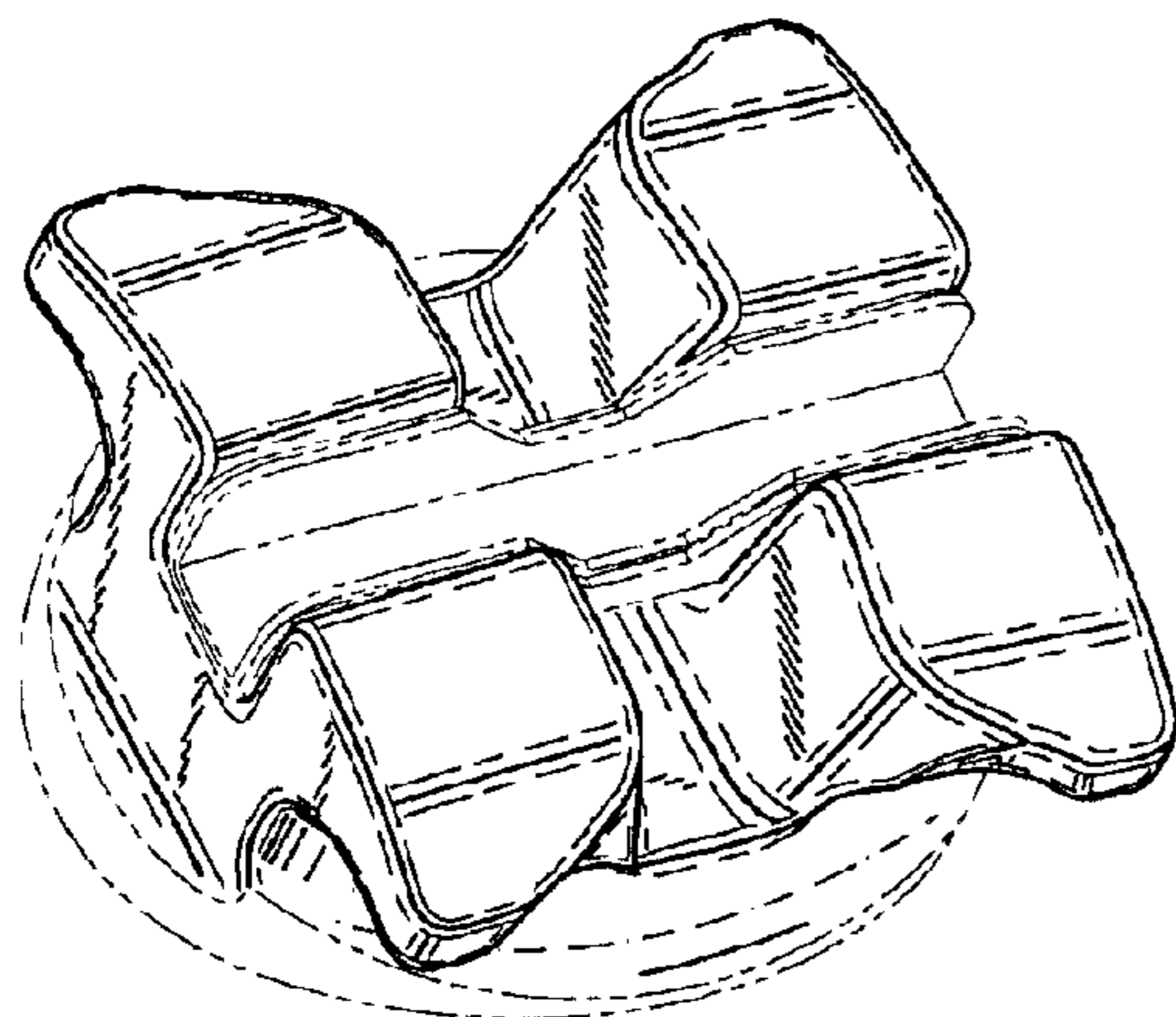
FIG. 14 is a bottom view thereof;

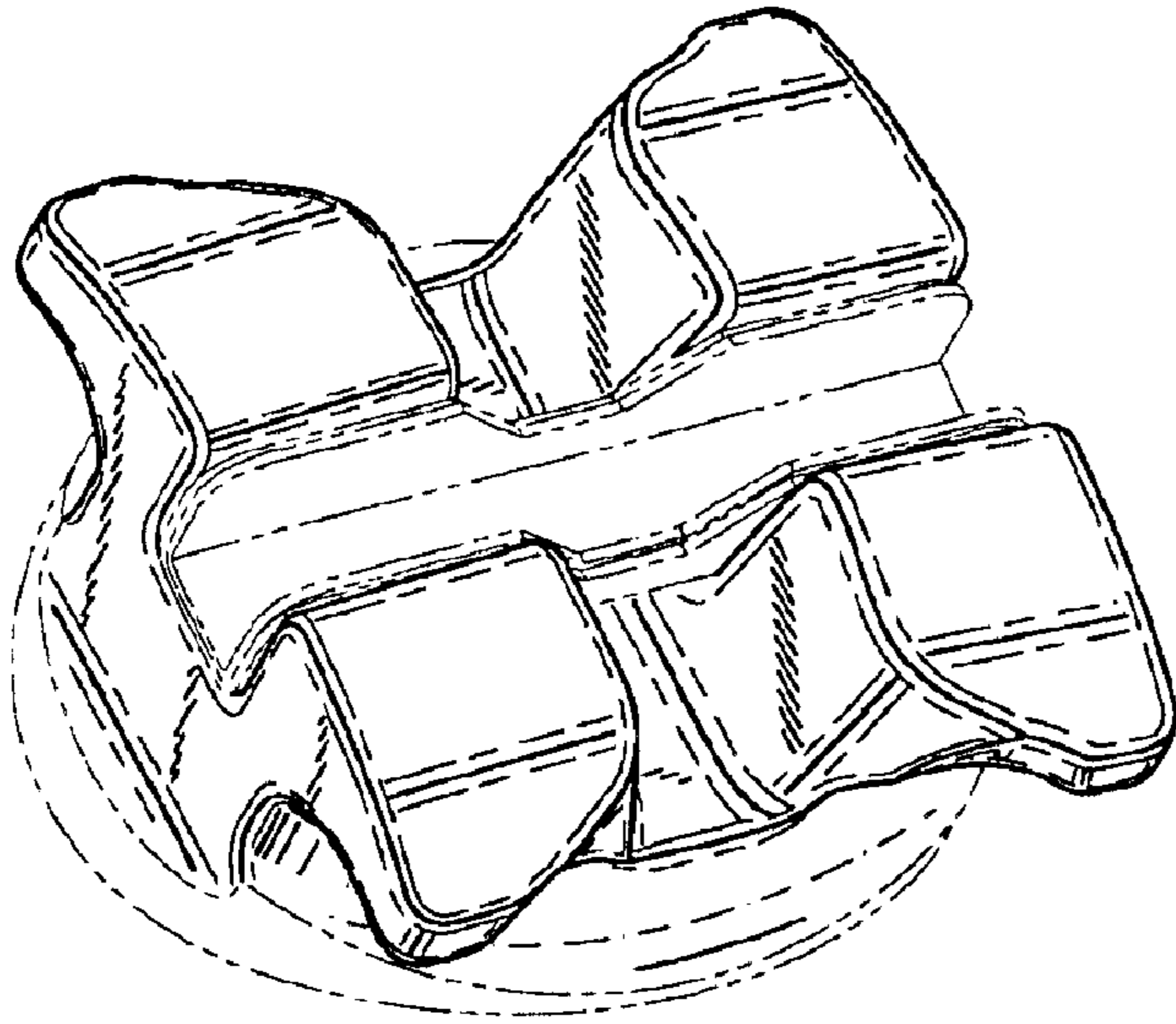
FIG. 15 is a front elevational view thereof; and,

FIG. 16 is a rear elevational view thereof.

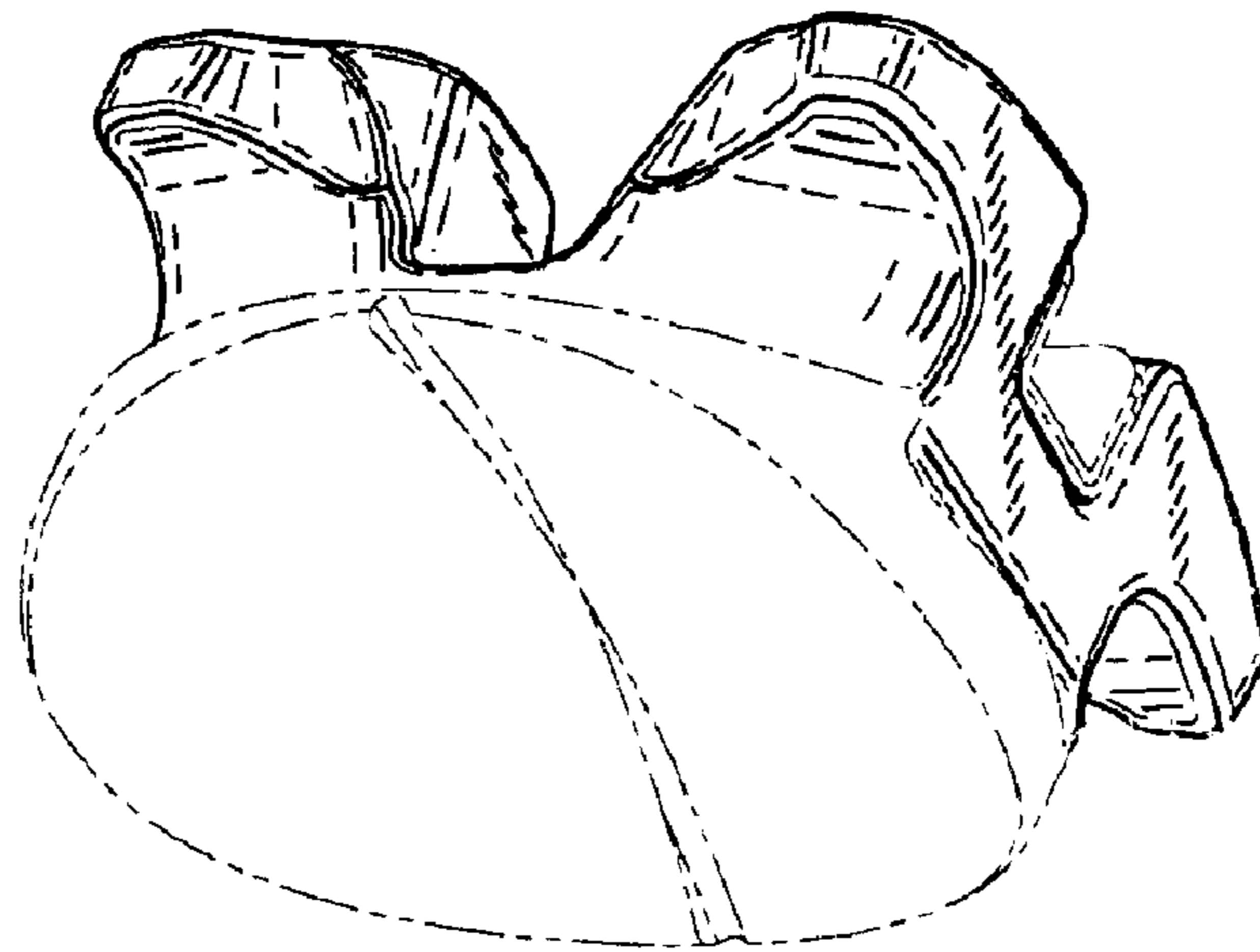
The broken line drawings of a base and of an archwire slot liner are for illustrative purposes only and form no part of the claimed design.

**1 Claim, 4 Drawing Sheets**

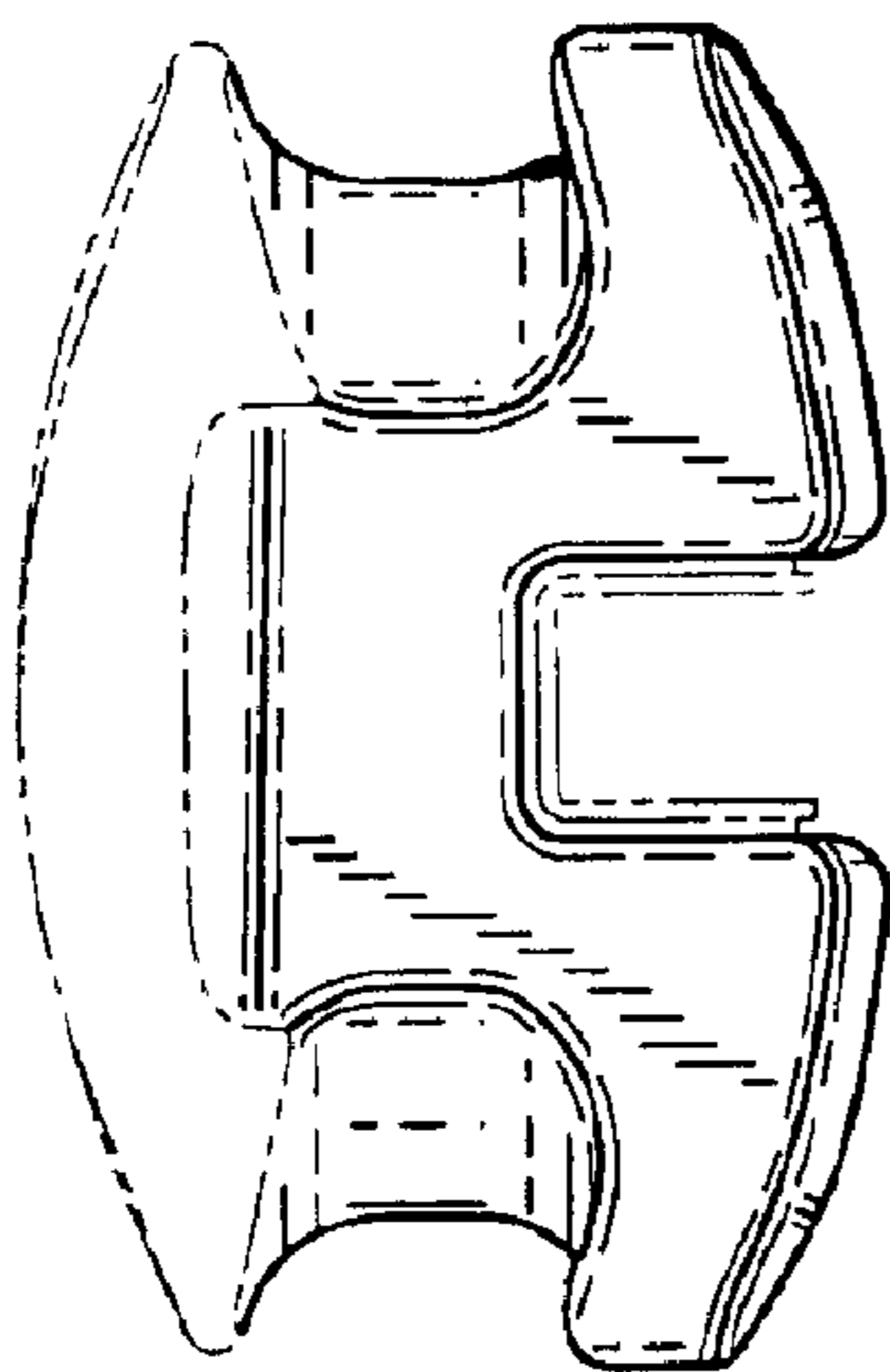




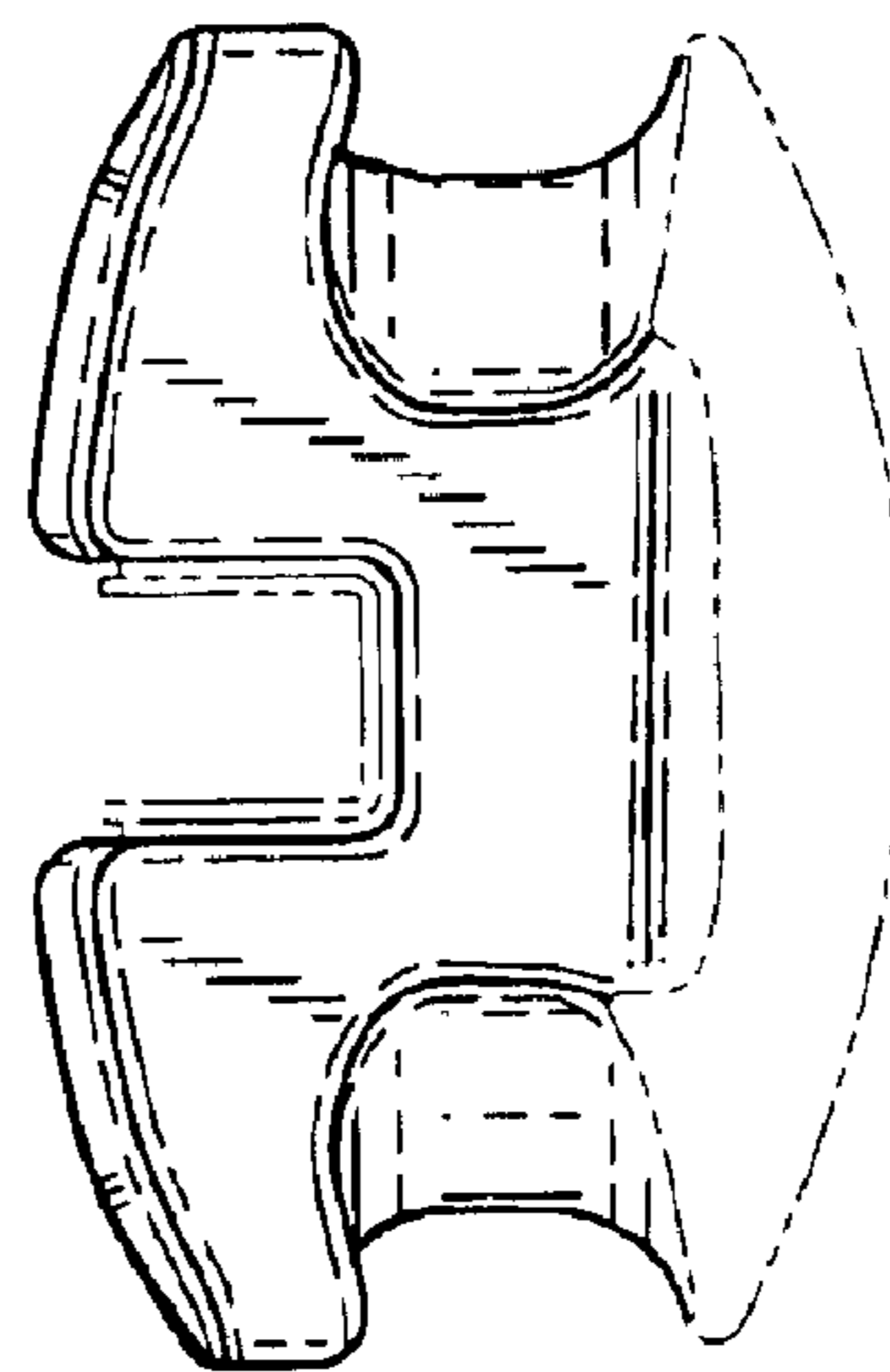
**FIG. 1**



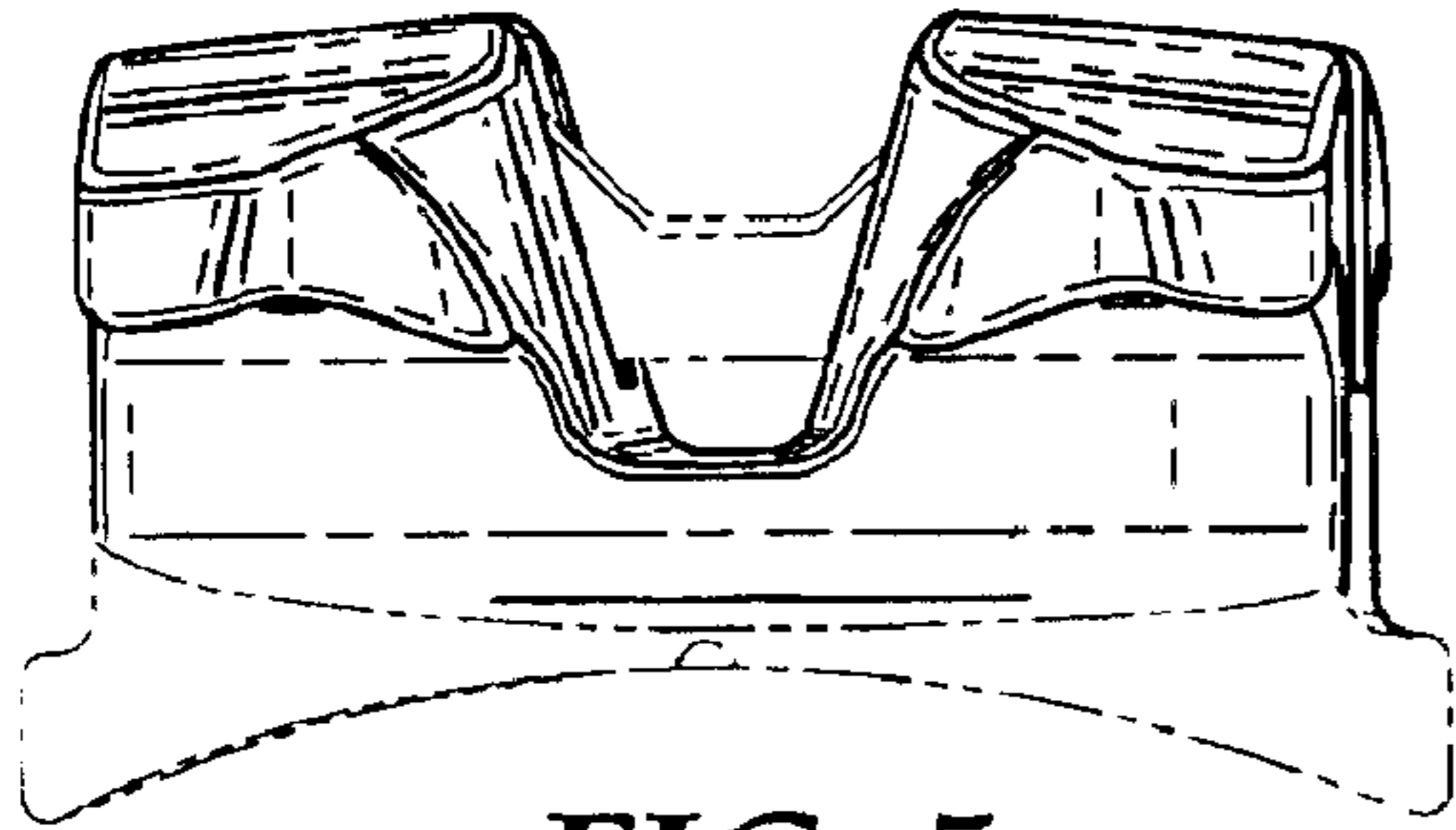
**FIG. 2**



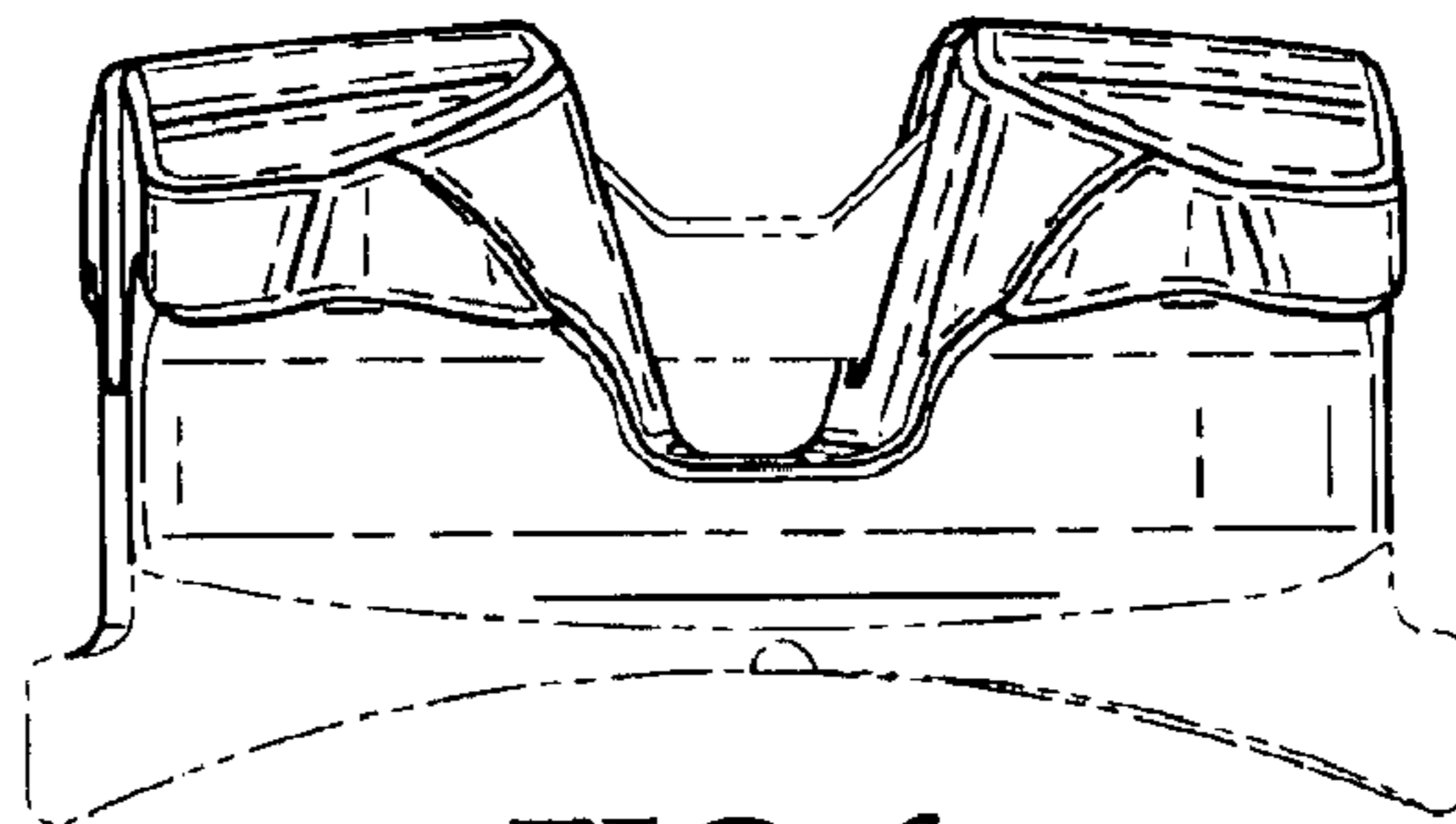
**FIG. 3**



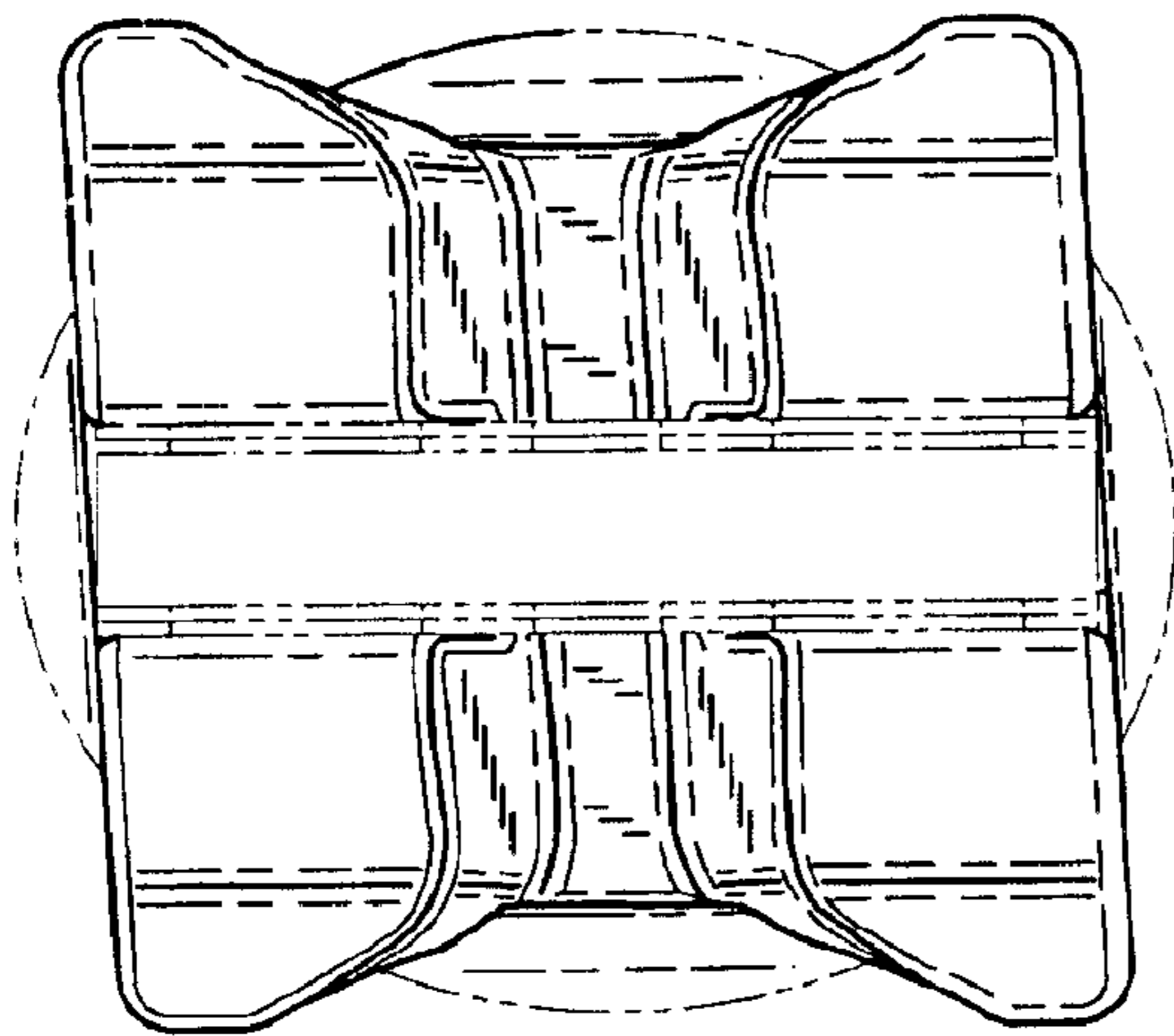
**FIG. 4**



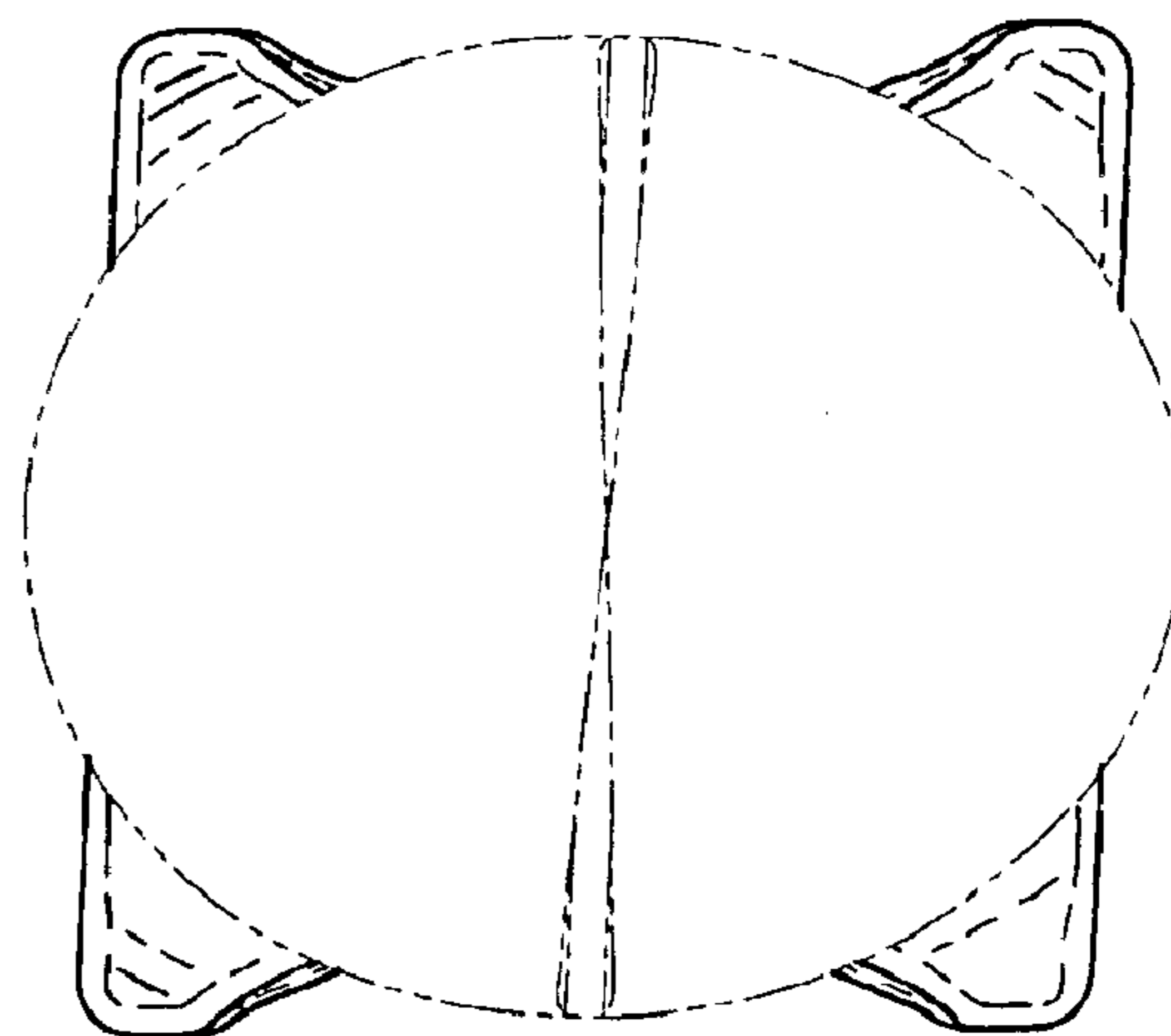
**FIG. 5**



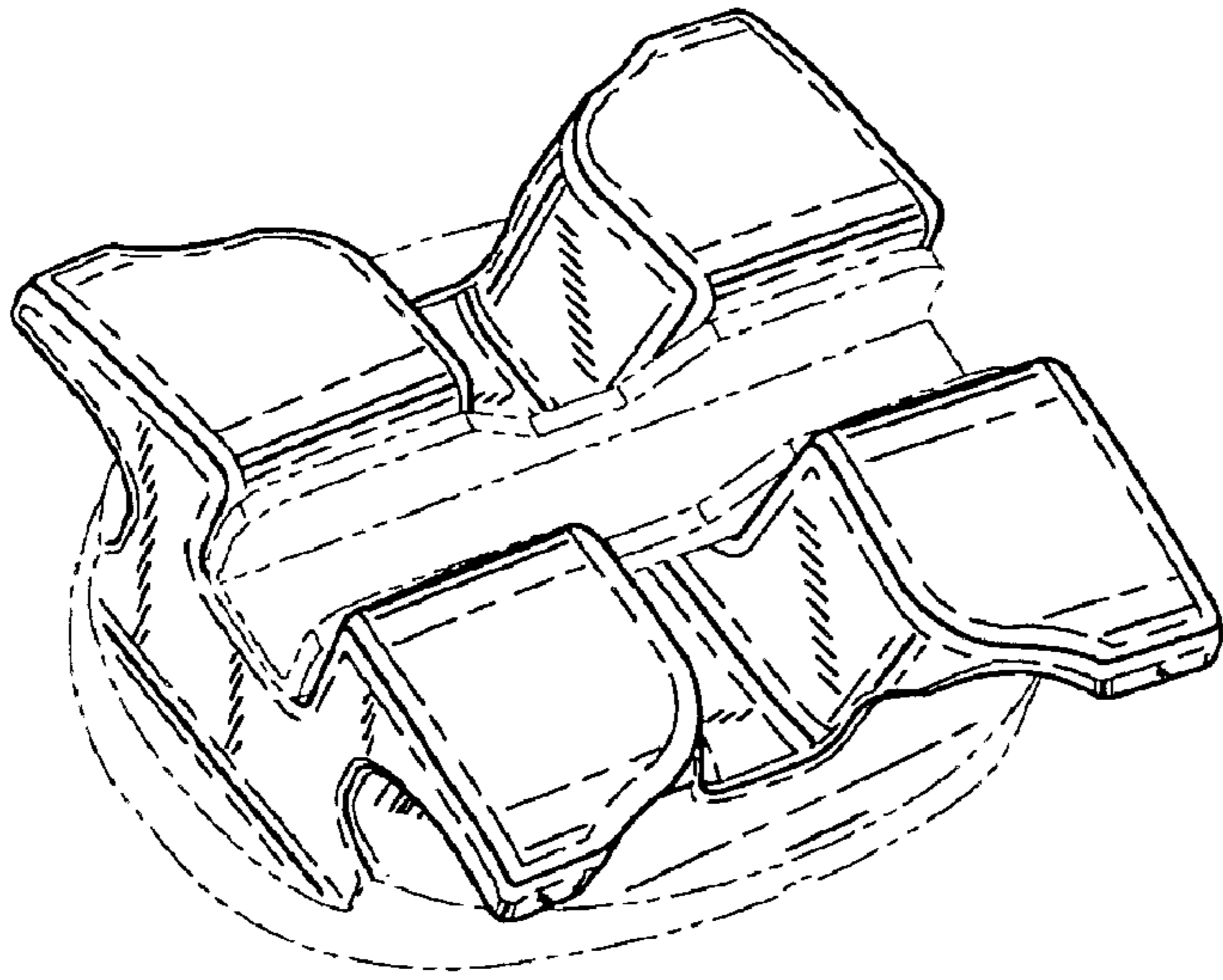
**FIG. 6**



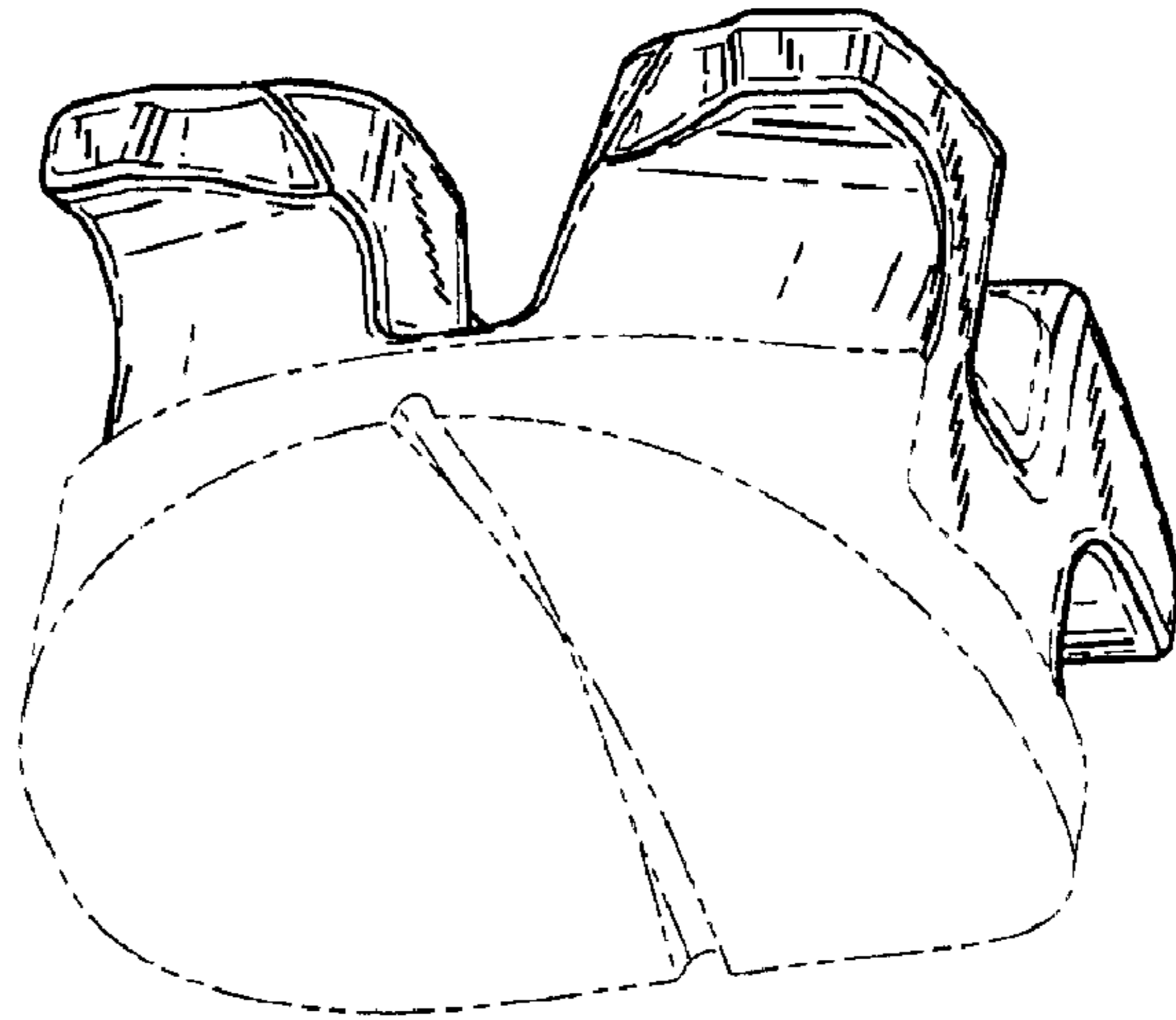
**FIG. 7**



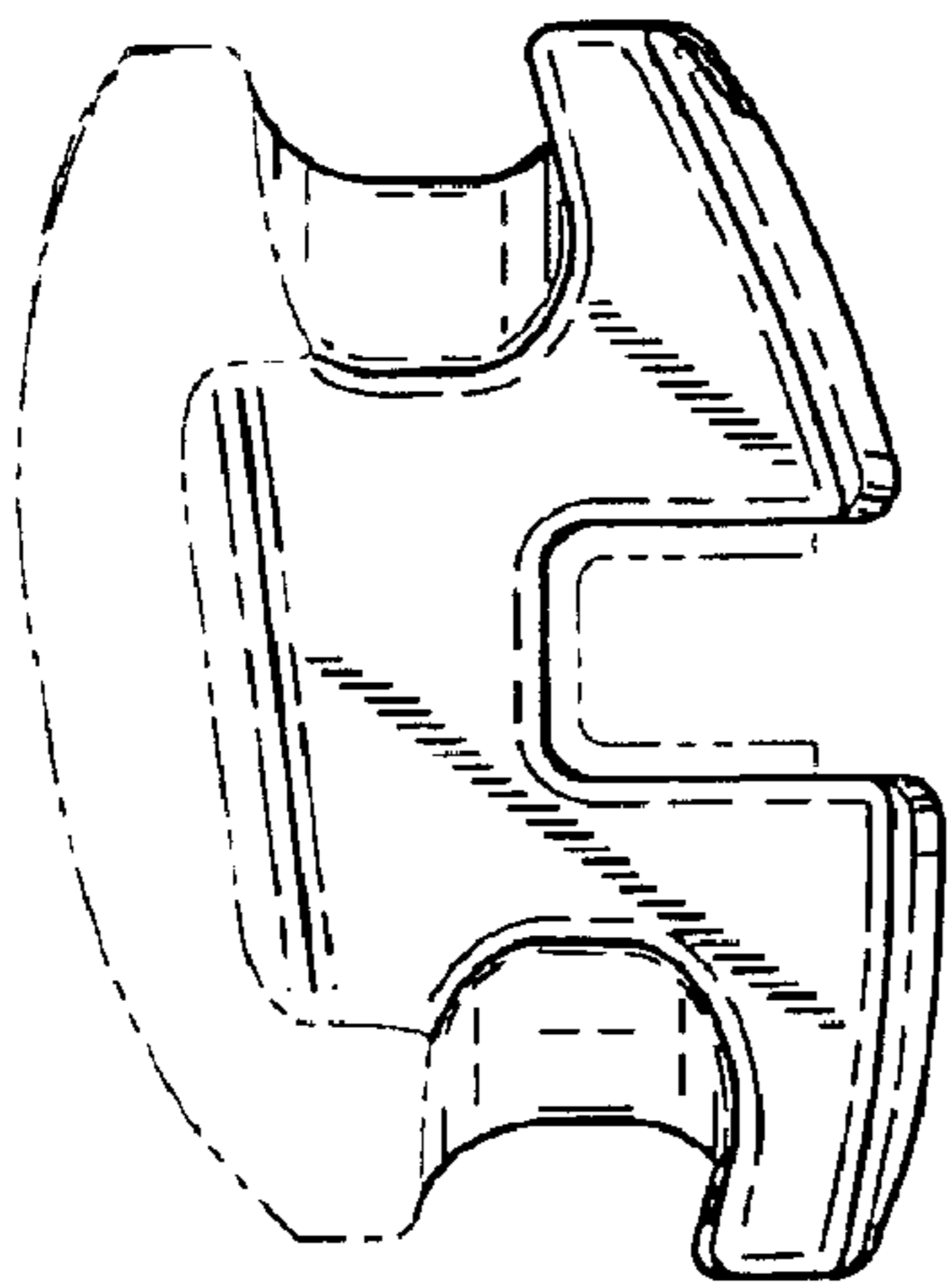
**FIG. 8**



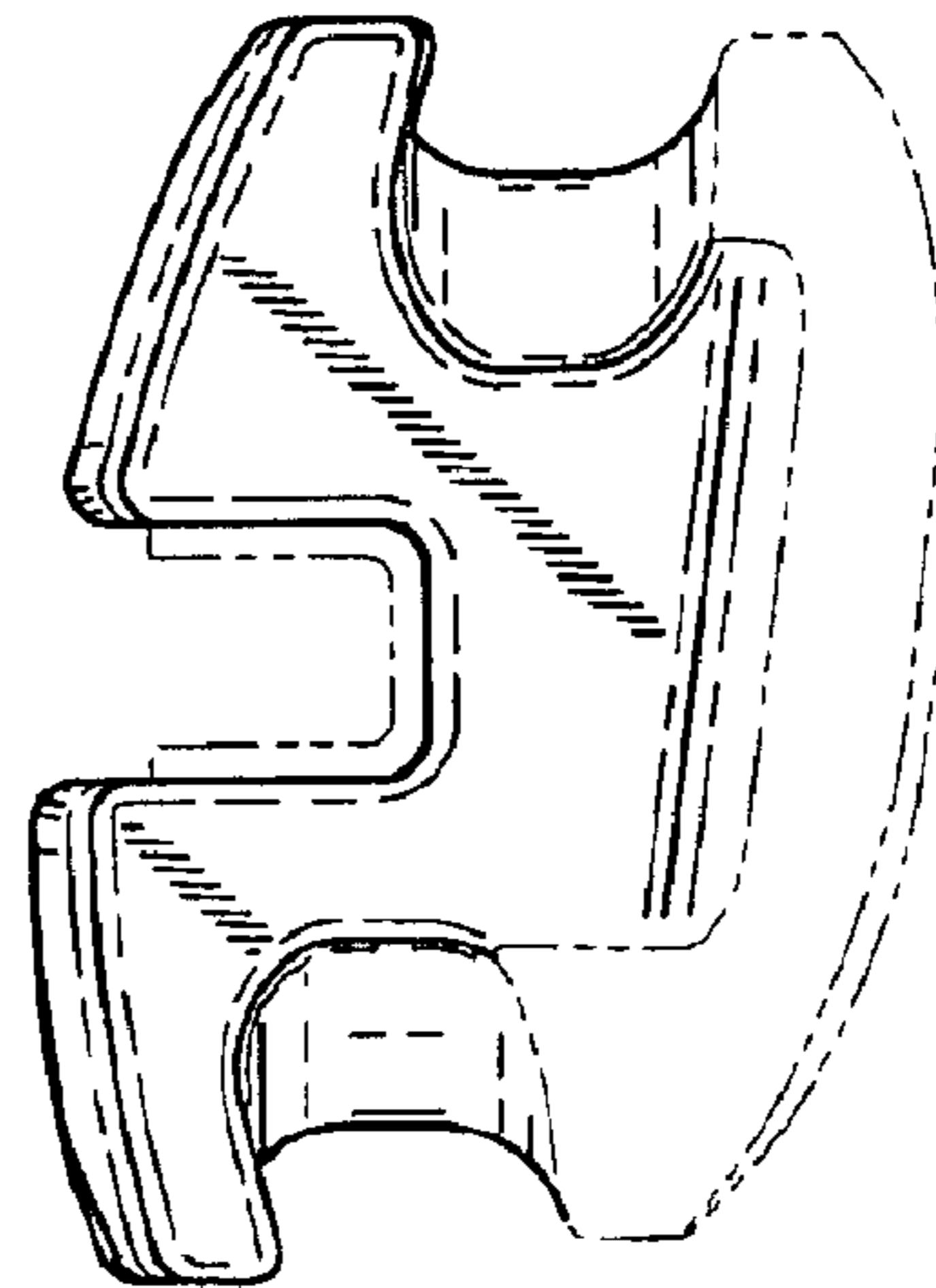
**FIG. 9**



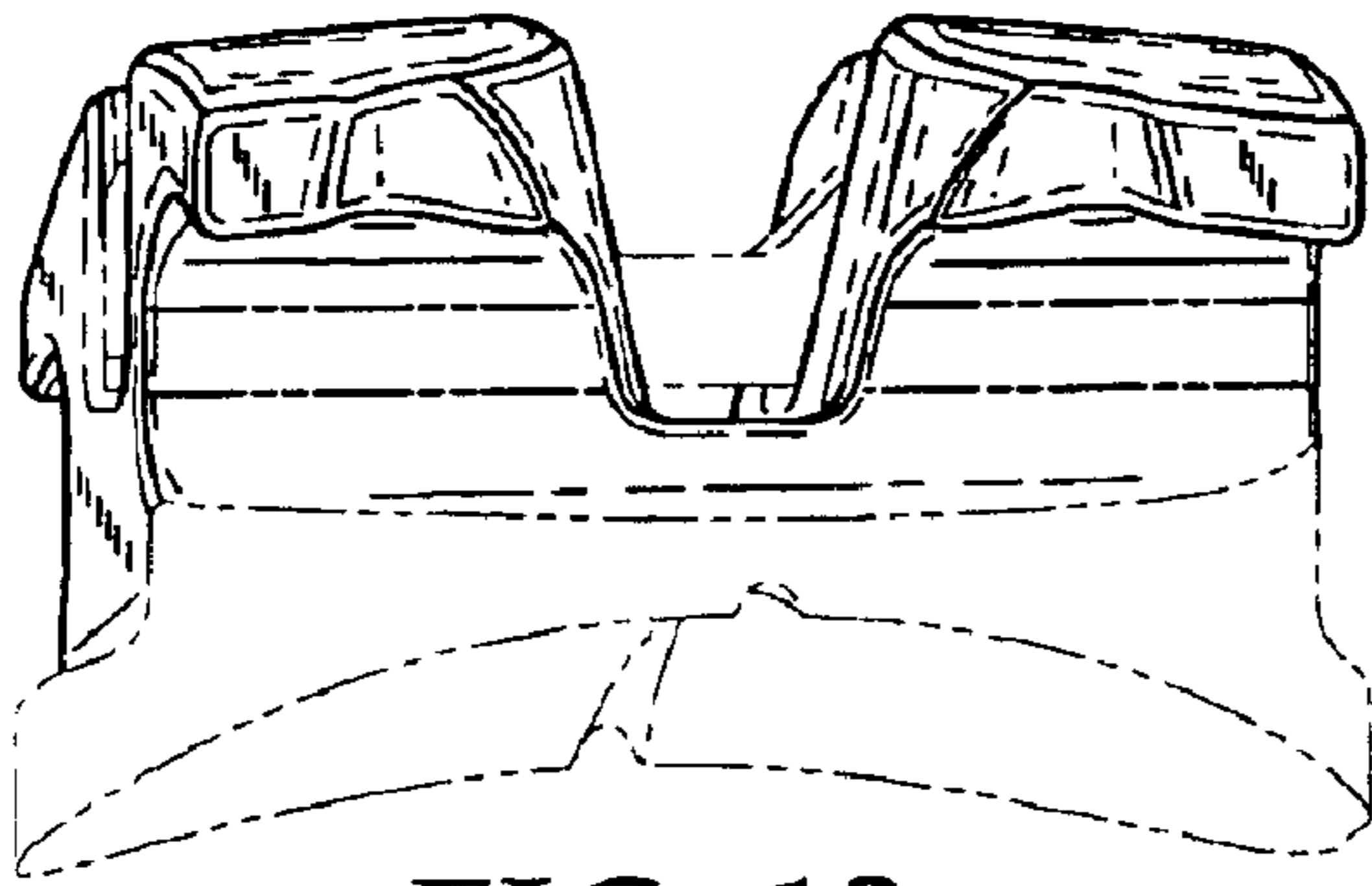
**FIG. 10**



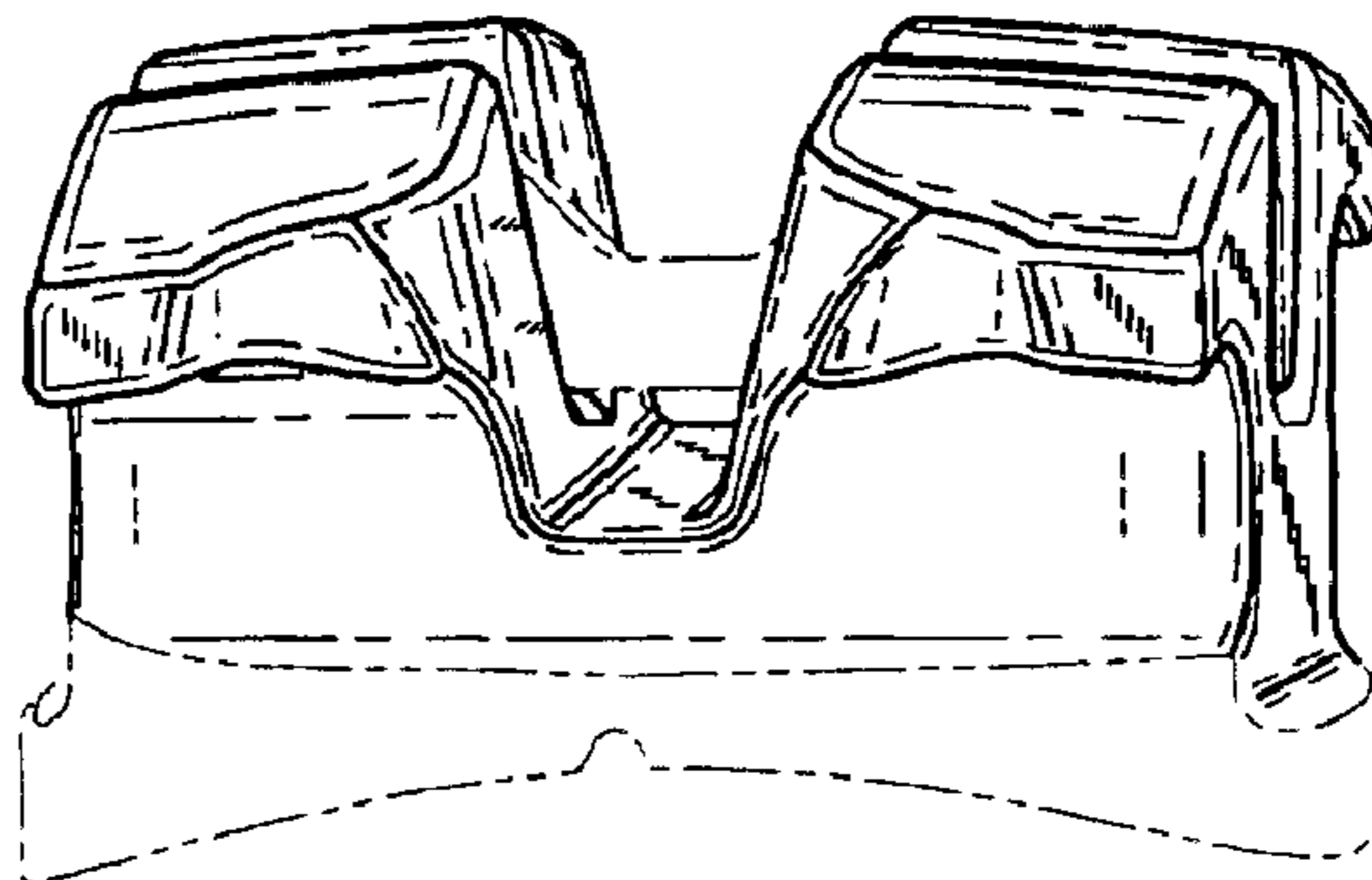
**FIG. 11**



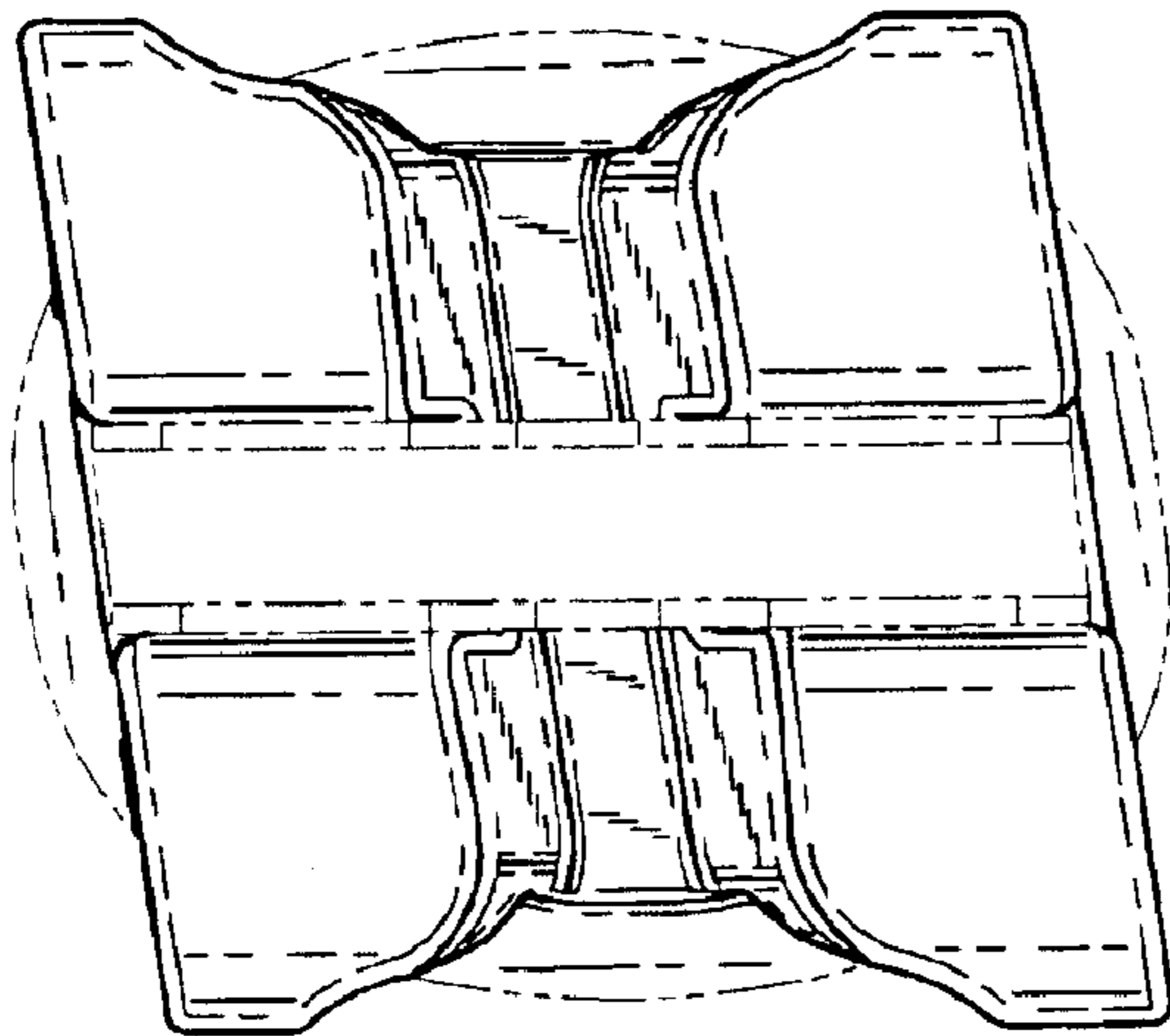
**FIG. 12**



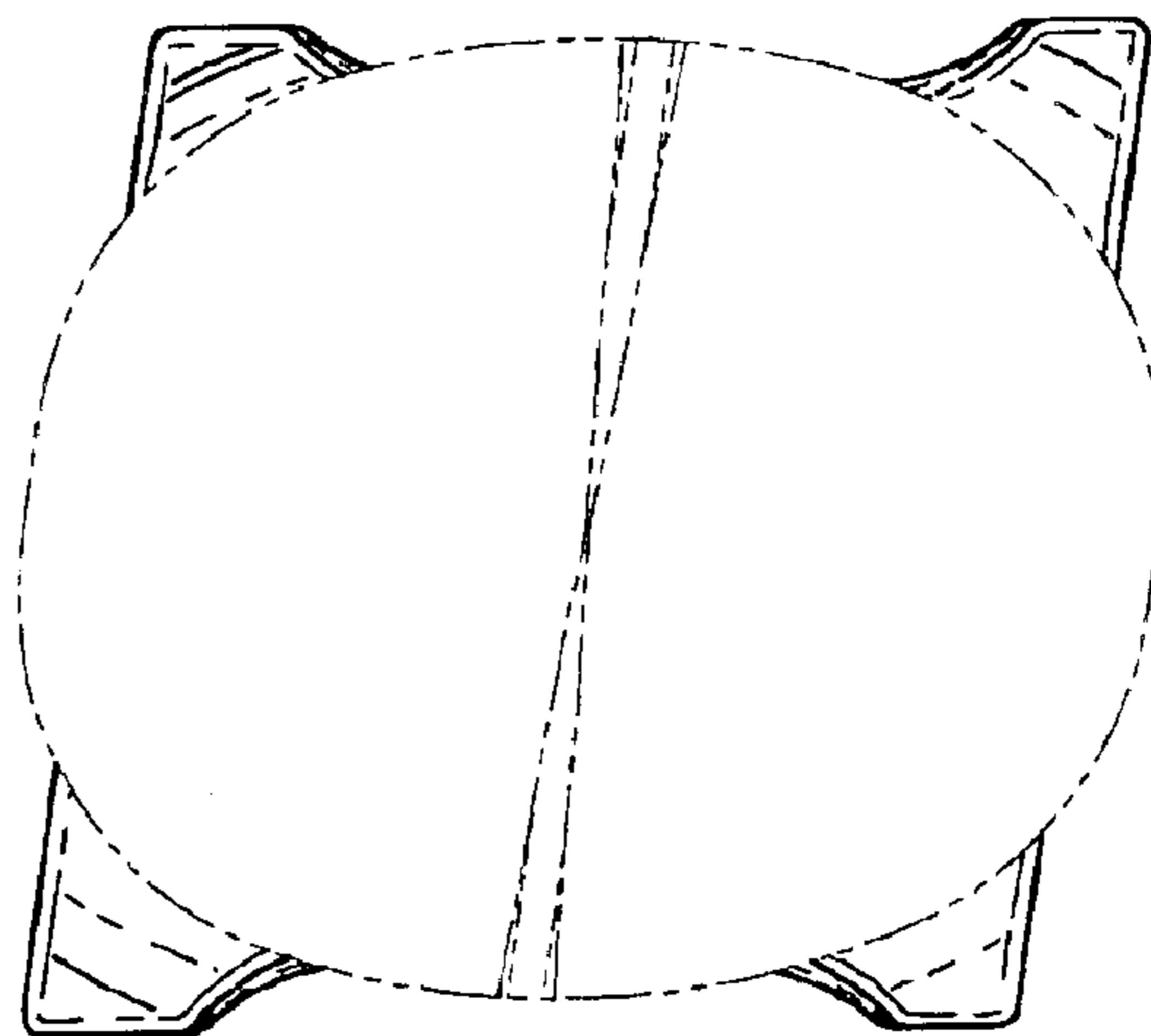
**FIG. 13**



**FIG. 14**



**FIG. 15**



**FIG. 16**