

US00D503803S

(12) **United States Design Patent** (10) **Patent No.:** **US D503,803 S**
Shalaby et al. (45) **Date of Patent:** **** Apr. 5, 2005**

(54) **ENDOSTEAL DENTAL IMPLANT**

2003/0114857 A1 * 6/2003 Carchidi et al. 606/73
2003/0176866 A1 * 9/2003 Westerkull 606/73

(75) Inventors: **Shalaby W Shalaby**, Anderson, SC
(US); **Bruce L. Anneaux**, Clemson, SC
(US); **M. Scott Taylor**, Clemson, SC
(US)

* cited by examiner

Primary Examiner—Charles A. Rademaker
(74) *Attorney, Agent, or Firm*—Leigh P. Gregory

(73) Assignee: **Poly-Med, Inc.**, Anderson, SC (US)

(57) **CLAIM**

(**) Term: **14 Years**

The ornamental design for an endosteal dental implant, as shown and described.

(21) Appl. No.: **29/211,473**

DESCRIPTION

(22) Filed: **Aug. 17, 2004**

(51) **LOC (7) Cl.** **24-03**

(52) **U.S. Cl.** **D24/156**

(58) **Field of Search** D24/155-157;
D8/387; 606/73, 232, 121.1; 623/28, 26,
32-36, 38; 128/DIG. 20; 602/62; D29/114

FIG. 1 is a front perspective view of a endosteal dental implant showing our new design;
FIG. 2 is a front elevation thereof;
FIG. 3 is a rear elevation thereof;
FIG. 4 is a right side elevation thereof;
FIG. 5 is a left side elevation thereof;
FIG. 6 is a top plan view thereof;
FIG. 7 is bottom plan view thereof;
FIG. 8 is a cross sectional view thereof taken along line 8—8 in FIG. 6; and,
FIG. 9 is a cross sectional view thereof taken along line 9—9 in FIG. 7.

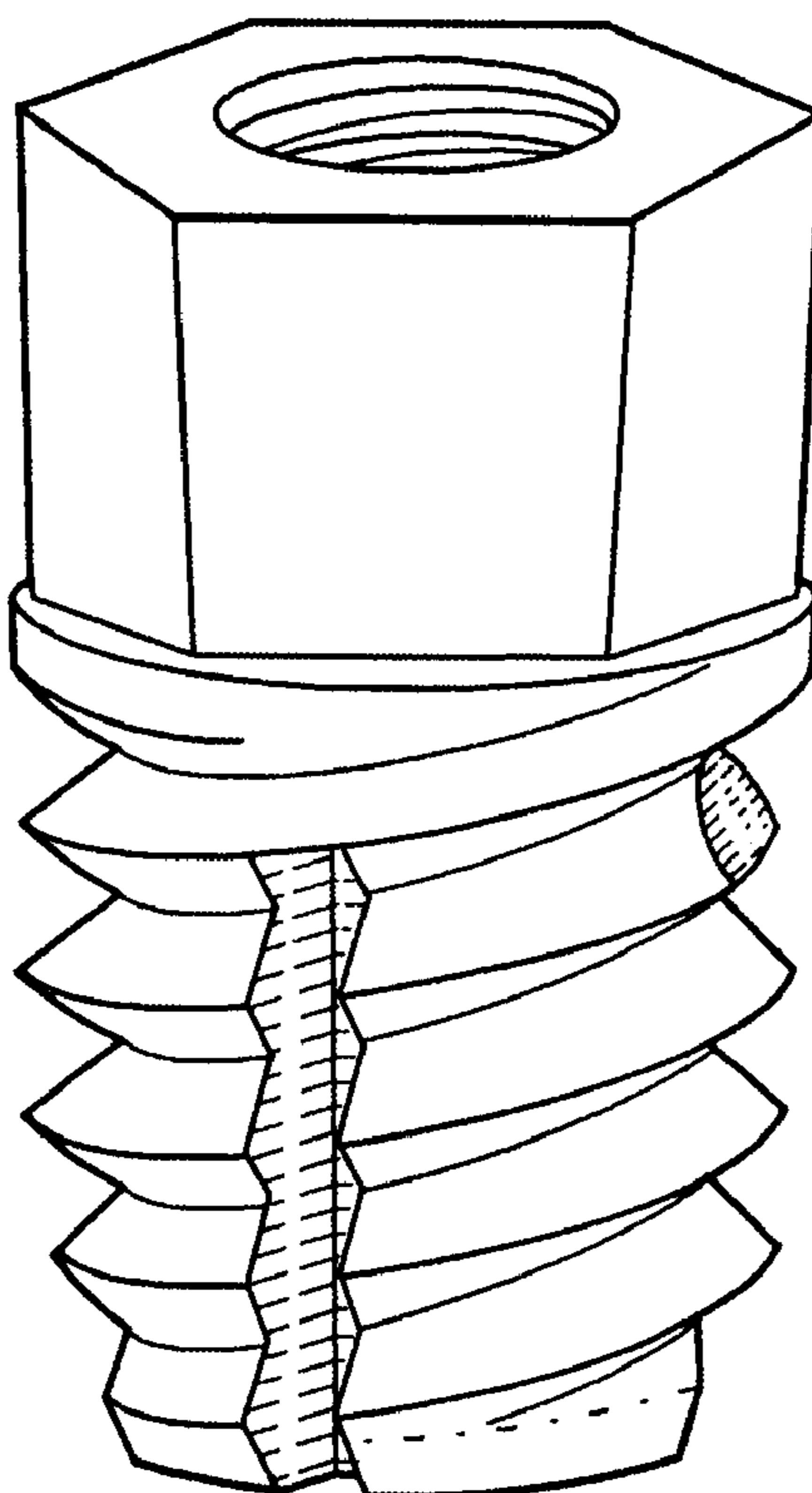
(56) **References Cited**

U.S. PATENT DOCUMENTS

D411,009 S * 6/1999 Asfora D24/155
5,964,766 A * 10/1999 Shaw 606/73
5,964,767 A * 10/1999 Tapia et al. 606/73
6,059,786 A * 5/2000 Jackson 606/73
D427,684 S * 7/2000 Hansson D24/156
6,261,291 B1 * 7/2001 Talaber et al. 606/69
6,287,311 B1 * 9/2001 Sherman et al. 606/78
2002/0072750 A1 * 6/2002 Jackson 606/73

The broken lines showing the interior of the design in FIGS. 2, 5 and 8 are for illustrative purposes only and form no part of the claimed design.

1 Claim, 2 Drawing Sheets



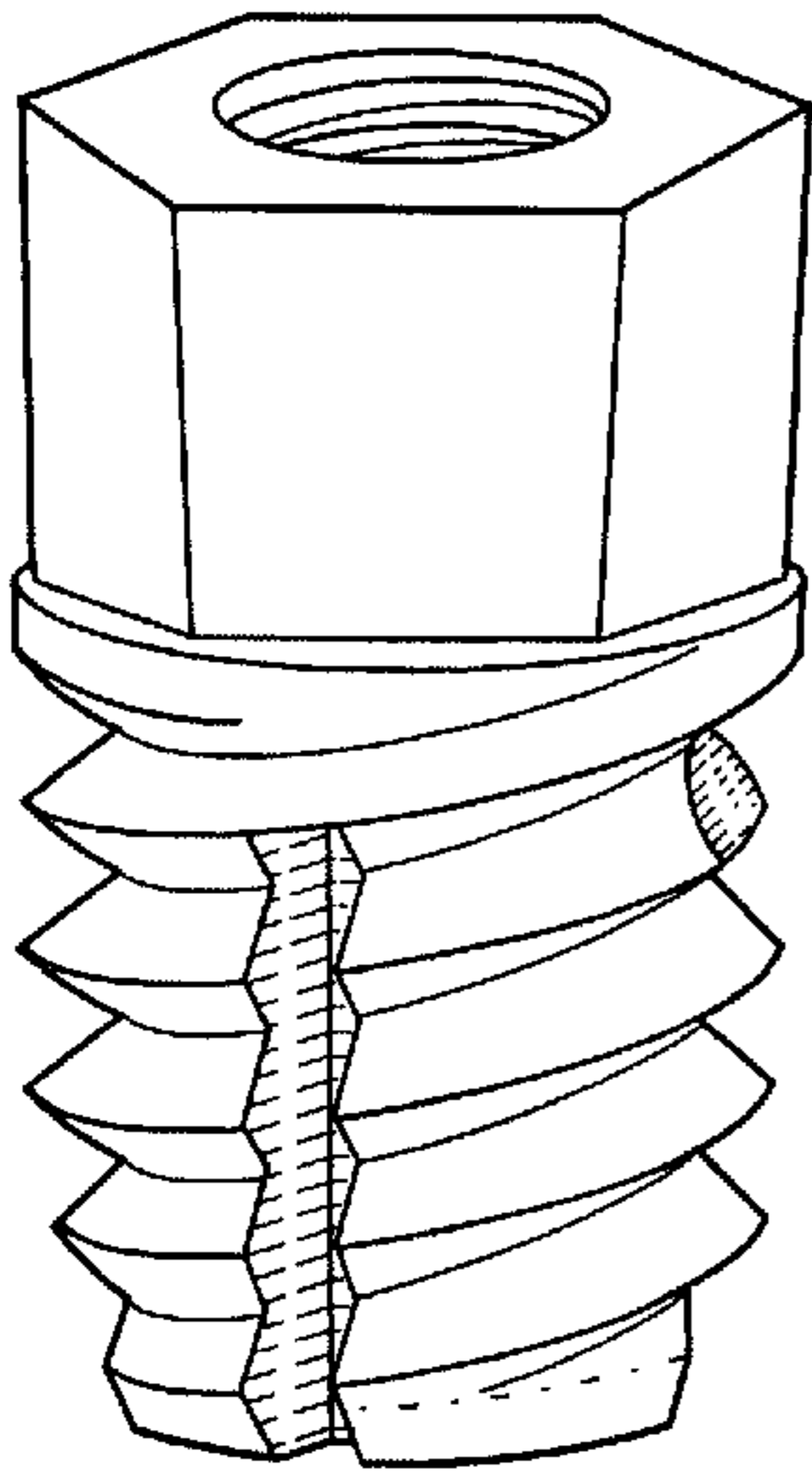


Fig. 1

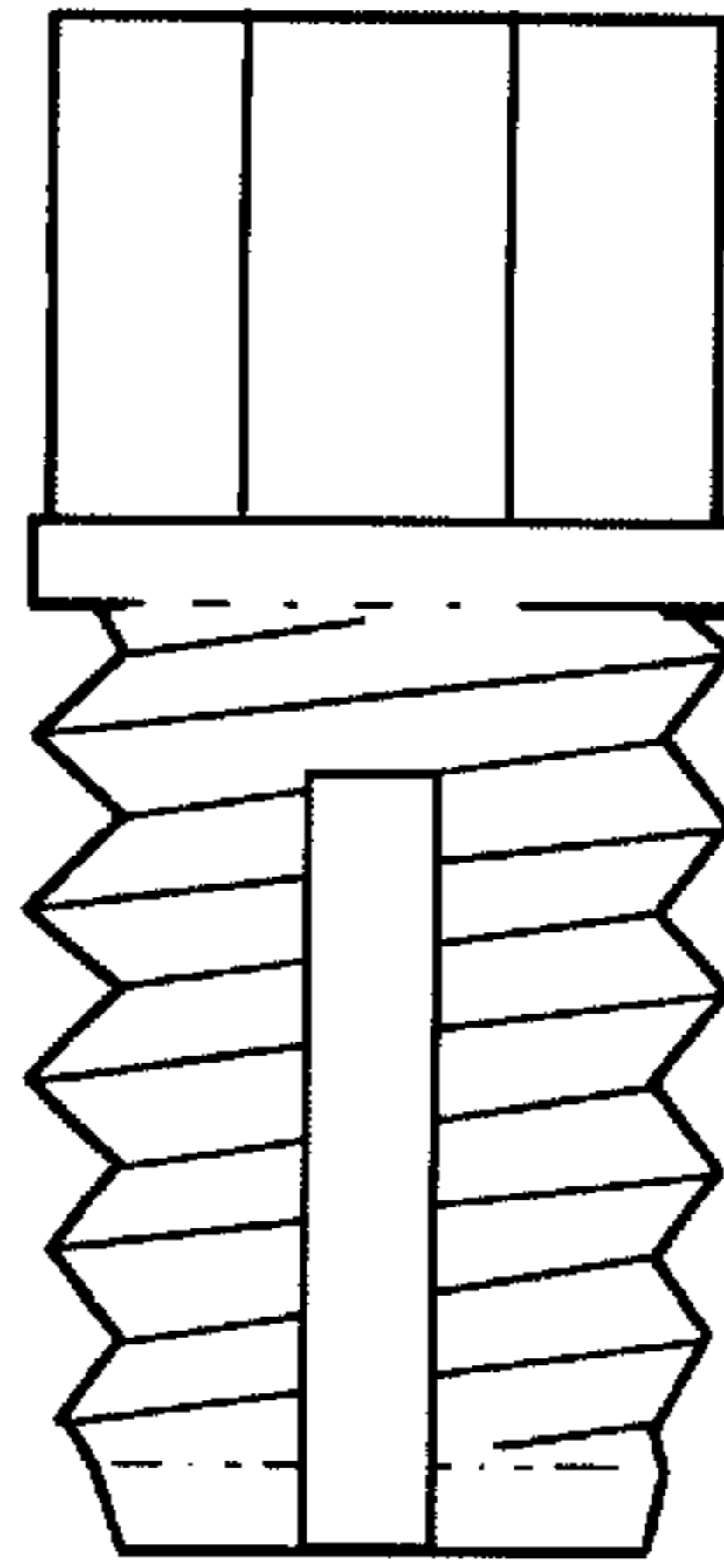


Fig. 2

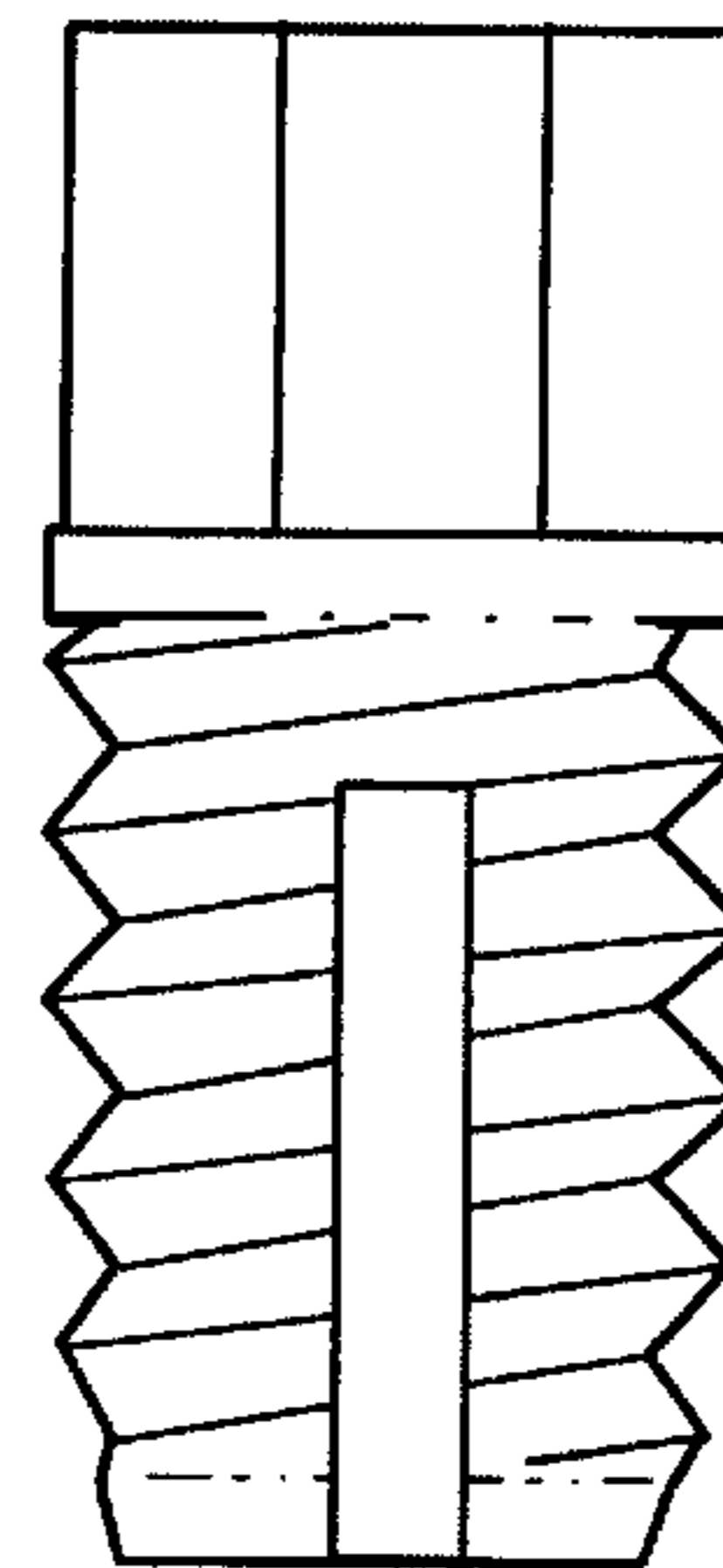


Fig. 3

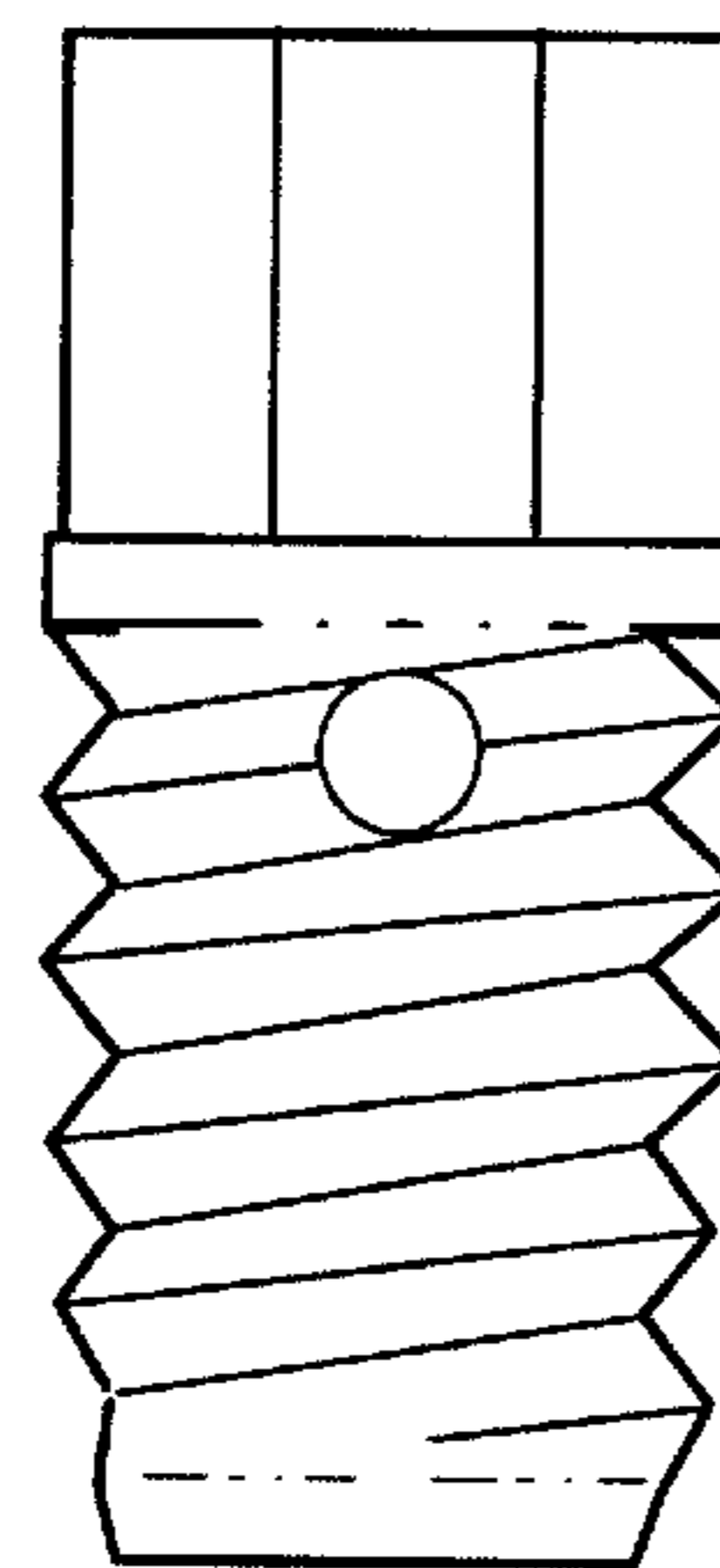


Fig. 4

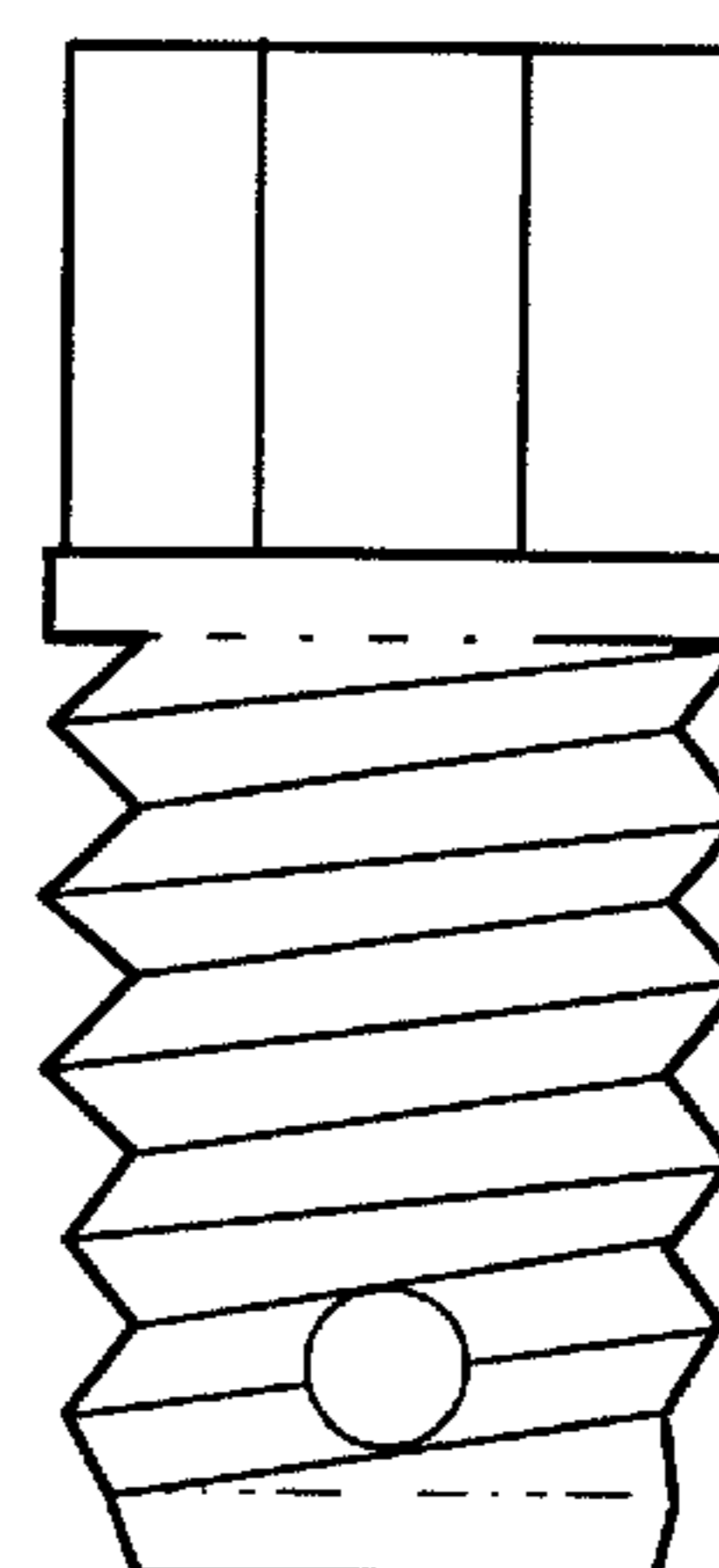


Fig. 5

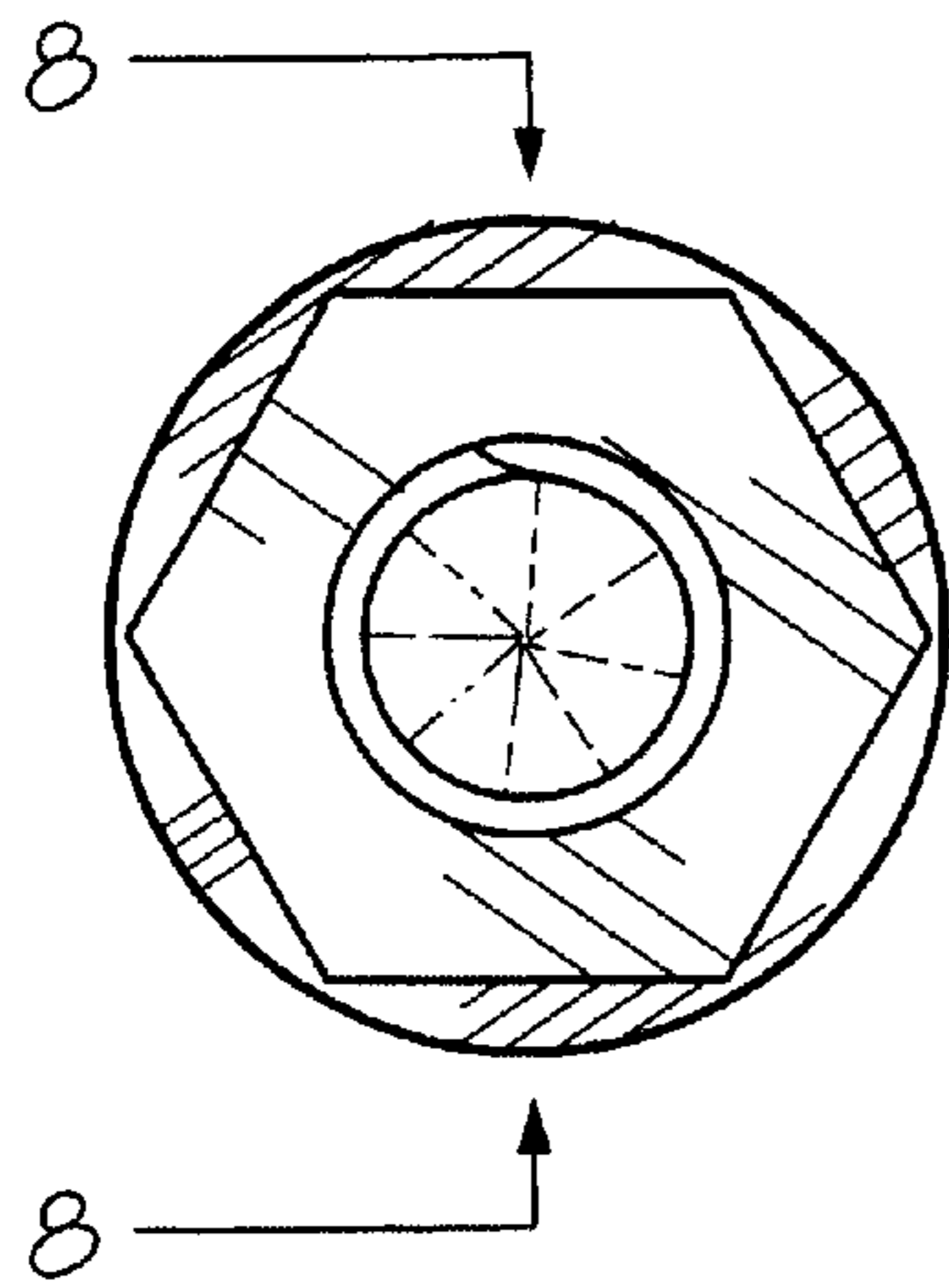


Fig. 6

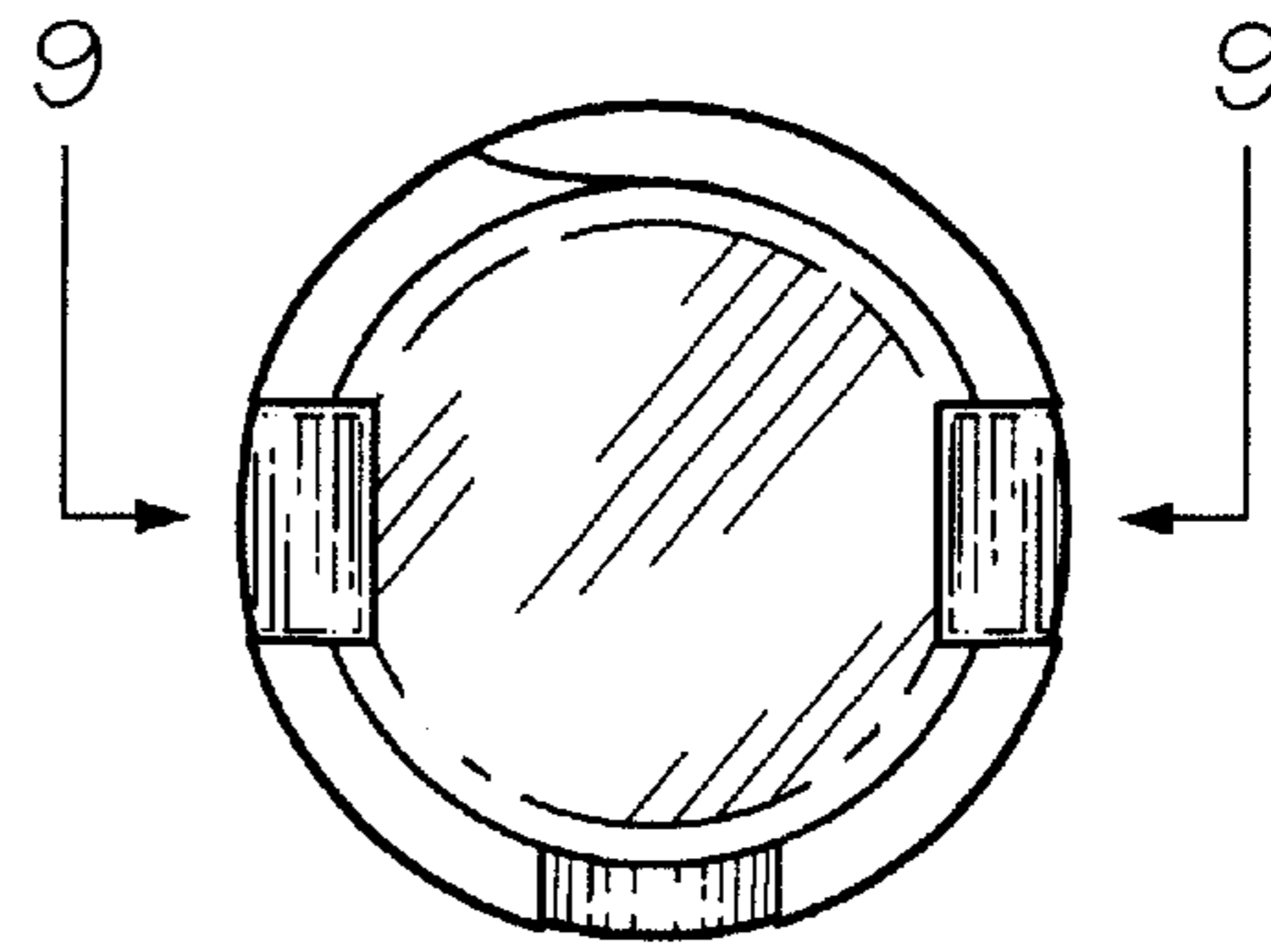


Fig. 7

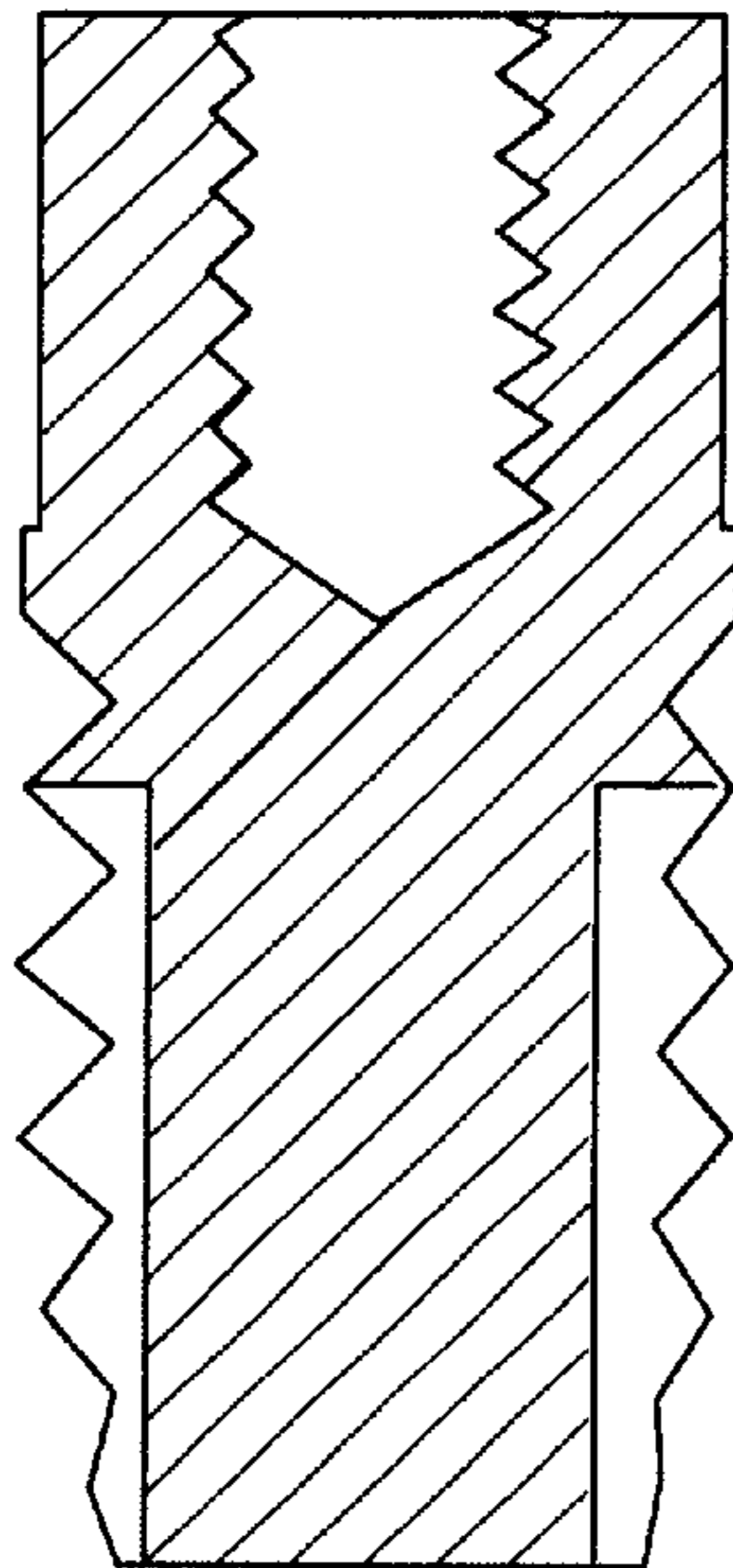


Fig. 8

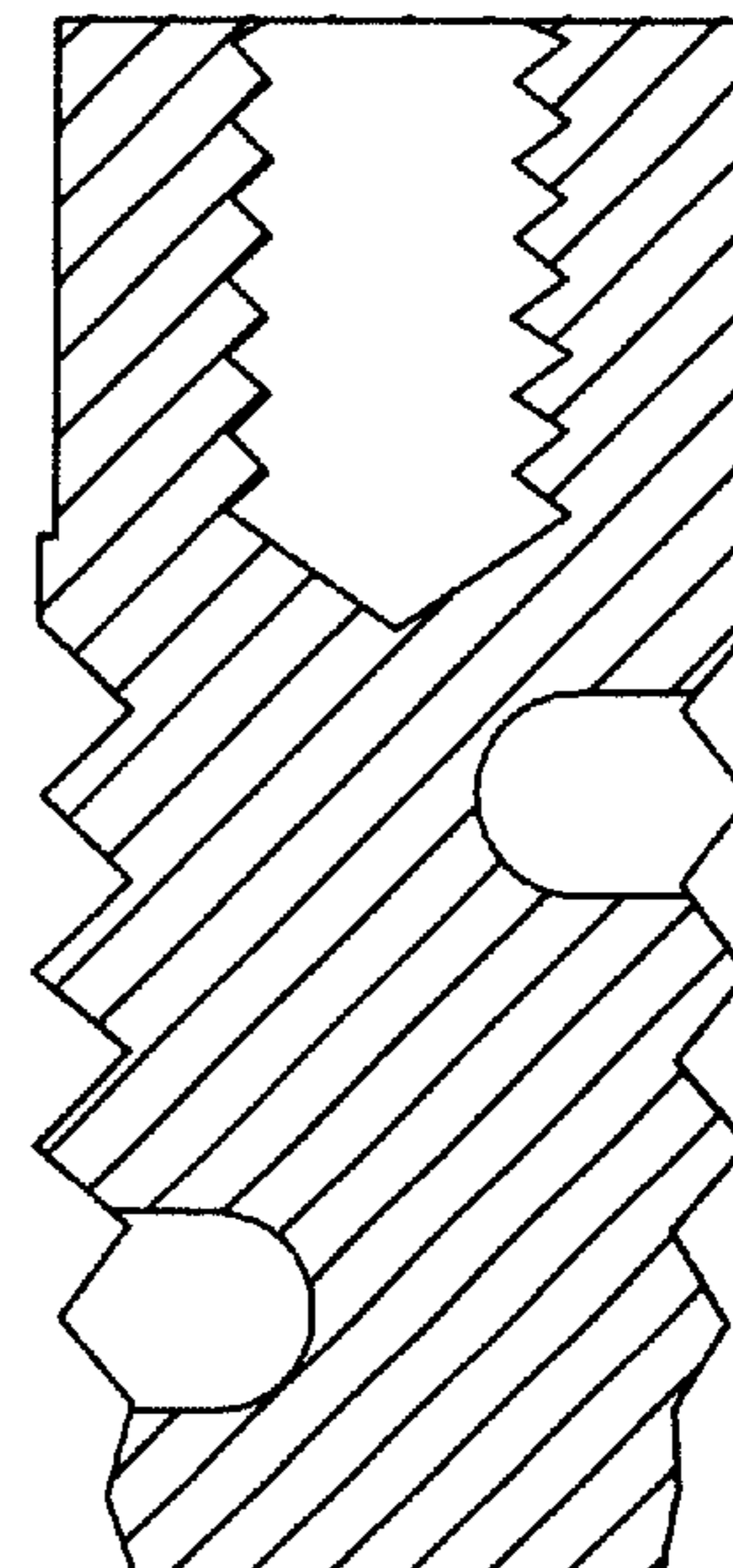


Fig. 9