



US00D503802S

(12) **United States Design Patent** (10) **Patent No.:** **US D503,802 S**  
**Bjarnason** (45) **Date of Patent:** **\*\* Apr. 5, 2005**

- (54) **PROSTHESIS LINER**  
(75) **Inventor:** **Asmundur Bergmann Bjarnason,**  
**Reykjavik (IS)**  
(73) **Assignee:** **Ossur HF, Reykjavik (IS)**  
(\*\*) **Term:** **14 Years**  
(21) **Appl. No.:** **29/206,269**  
(22) **Filed:** **May 28, 2004**  
(51) **LOC (7) Cl.** ..... **24-03**  
(52) **U.S. Cl.** ..... **D24/155**  
(58) **Field of Search** ..... **D24/155-157;**  
**D8/387; 606/73, 232, 121.1; 623/28, 26,**  
**32-36, 38; 128/DIG. 20; 602/62; D29/114**

(56) **References Cited**

**U.S. PATENT DOCUMENTS**

980,457	A	1/1911	Toles	
D112,752	S	* 12/1938	Douglas et al. ....	D29/114
4,923,474	A	5/1990	Klasson et al.	
5,156,629	A	10/1992	Shane et al.	
5,246,464	A	9/1993	Sabolich	
D410,742	S	* 6/1999	Coolidge .....	D24/155
5,931,872	A	8/1999	Lohmann	
5,980,576	A	* 11/1999	Graf et al. ....	623/33
6,077,300	A	6/2000	Sabolich et al.	
D427,684	S	* 7/2000	Hansson .....	D24/156
6,136,039	A	10/2000	Kristinsson et al.	
6,682,569	B2	* 1/2004	Wilkinson et al. ....	623/35
2002/0120279	A1	* 8/2002	Deguillebon et al. ....	606/142
2003/0120279	A1	* 6/2003	Hansson .....	606/73
2004/0006346	A1	* 1/2004	Holmen et al. ....	606/73

**OTHER PUBLICATIONS**

Ossur—Life Without Limitations, Liners, Product Information, pp. 1-2; downloaded on Apr. 28, 2004 at <http://www.ossur.com/template1.asp?pageid=5>.

Ossur—Life Without Limitations, Prosthetic Products, Product Information, downloaded on Apr. 28, 2004 at <http://www.ossur.com/template1.asp?pageid=5>.

\* cited by examiner

*Primary Examiner*—Charles A. Rademaker  
(74) *Attorney, Agent, or Firm*—Bacon & Thomas, PLLC

(57) **CLAIM**

The ornamental design for a prosthesis liner, as shown and described.

**DESCRIPTION**

FIG. 1 is a front elevation of a prosthesis liner showing my new design, the side opposite being a mirror image;

FIG. 2 is a top plan view thereof;

FIG. 3 is a bottom plan view thereof;

FIG. 4 is a front elevation of a modified embodiment of the design shown in FIGS. 1 through 3, the side opposite being a mirror image;

FIG. 5 is a top plan view thereof;

FIG. 6 is a bottom plan view thereof;

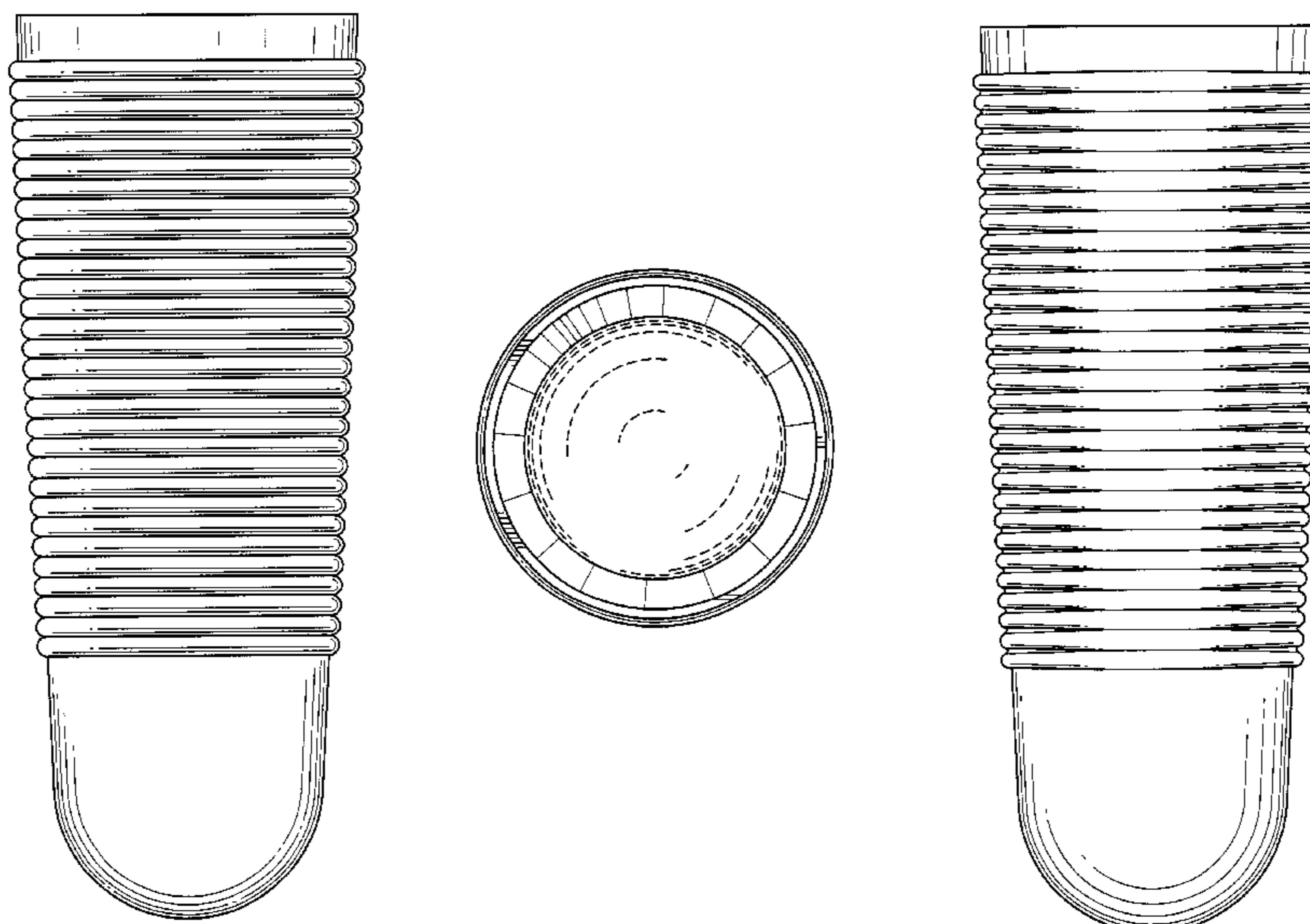
FIG. 7 is front elevation of a second modified embodiment of the design shown in FIGS. 1 through 3, the side opposite being a mirror image;

FIG. 8 is a bottom plan view thereof; and,

FIG. 9 is a top plan view thereof.

The broken lines showing the interior of the design in FIGS. 2, 5 and 8 are for illustrative purposes only and form no part of the claimed design.

**1 Claim, 3 Drawing Sheets**



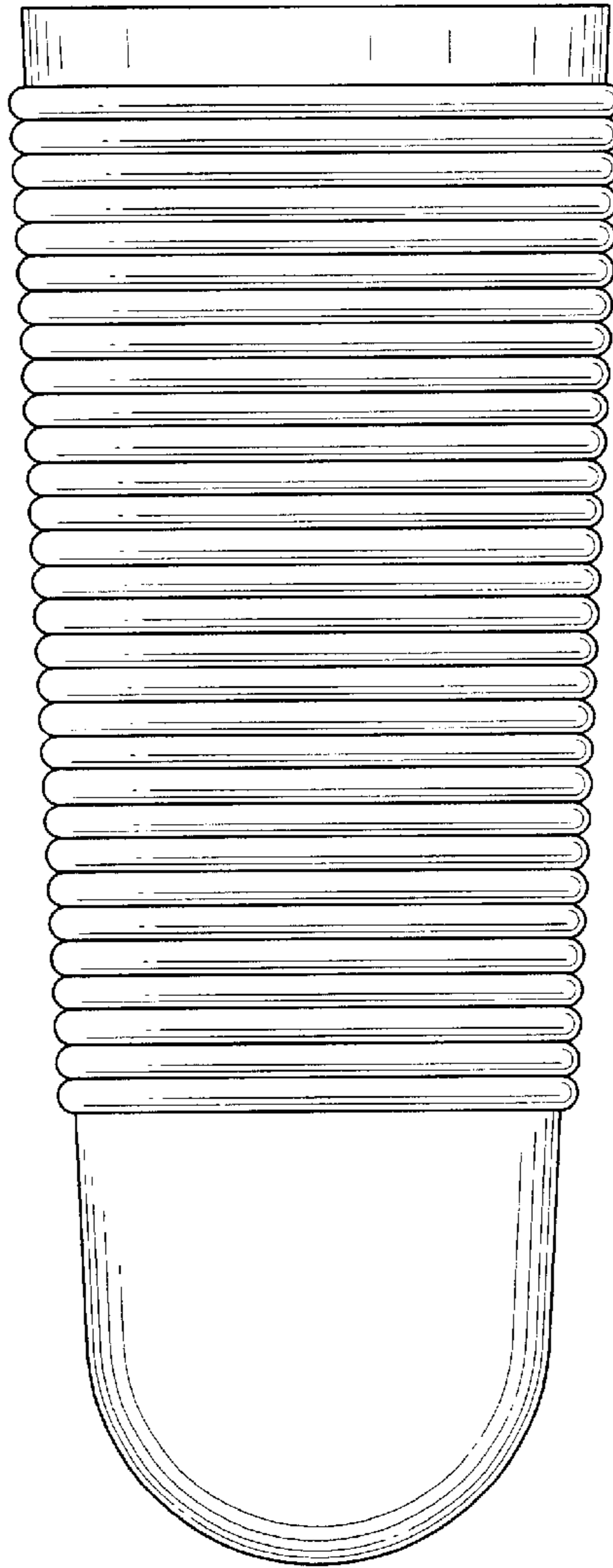


FIG. 1

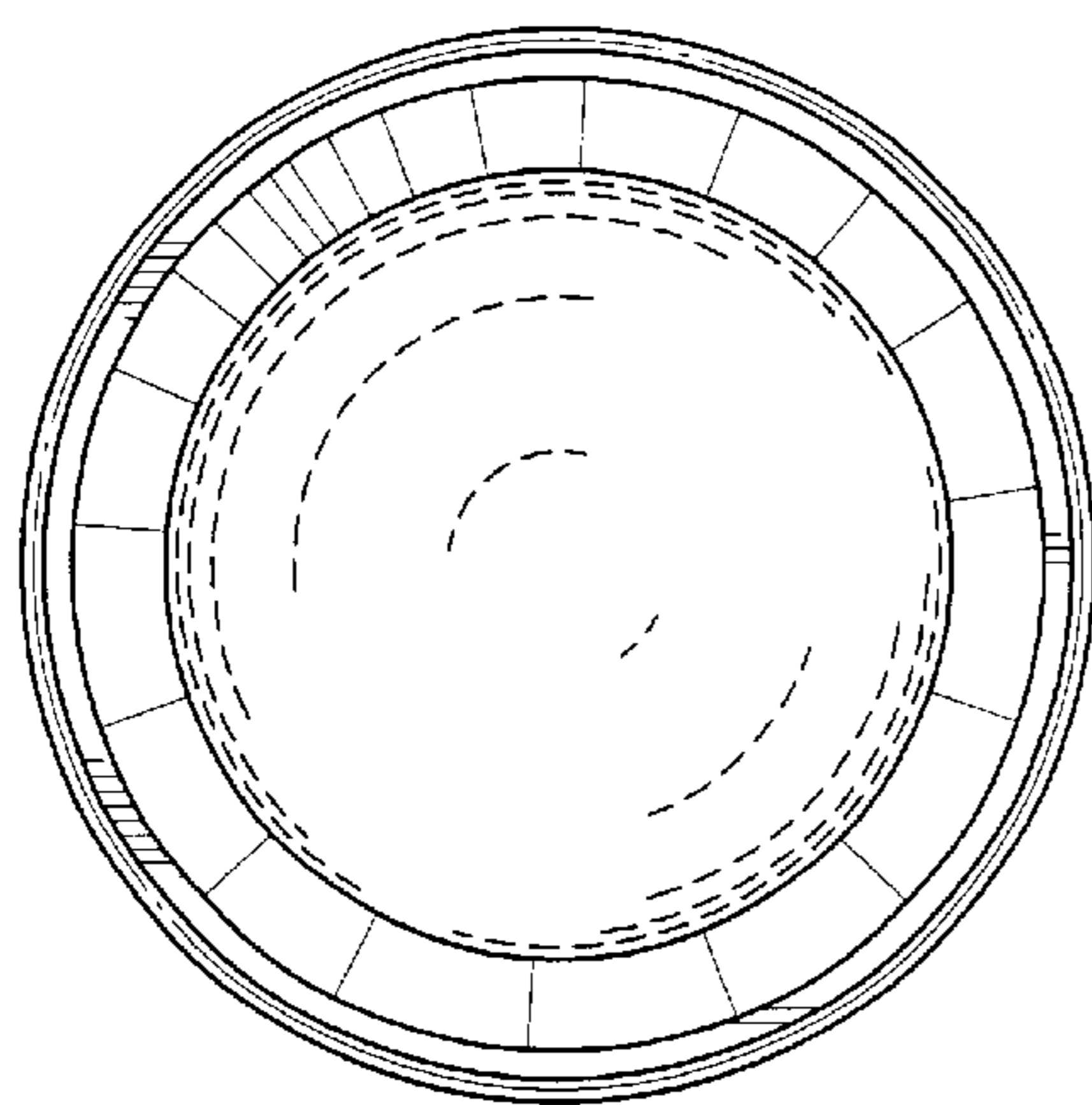


FIG. 2

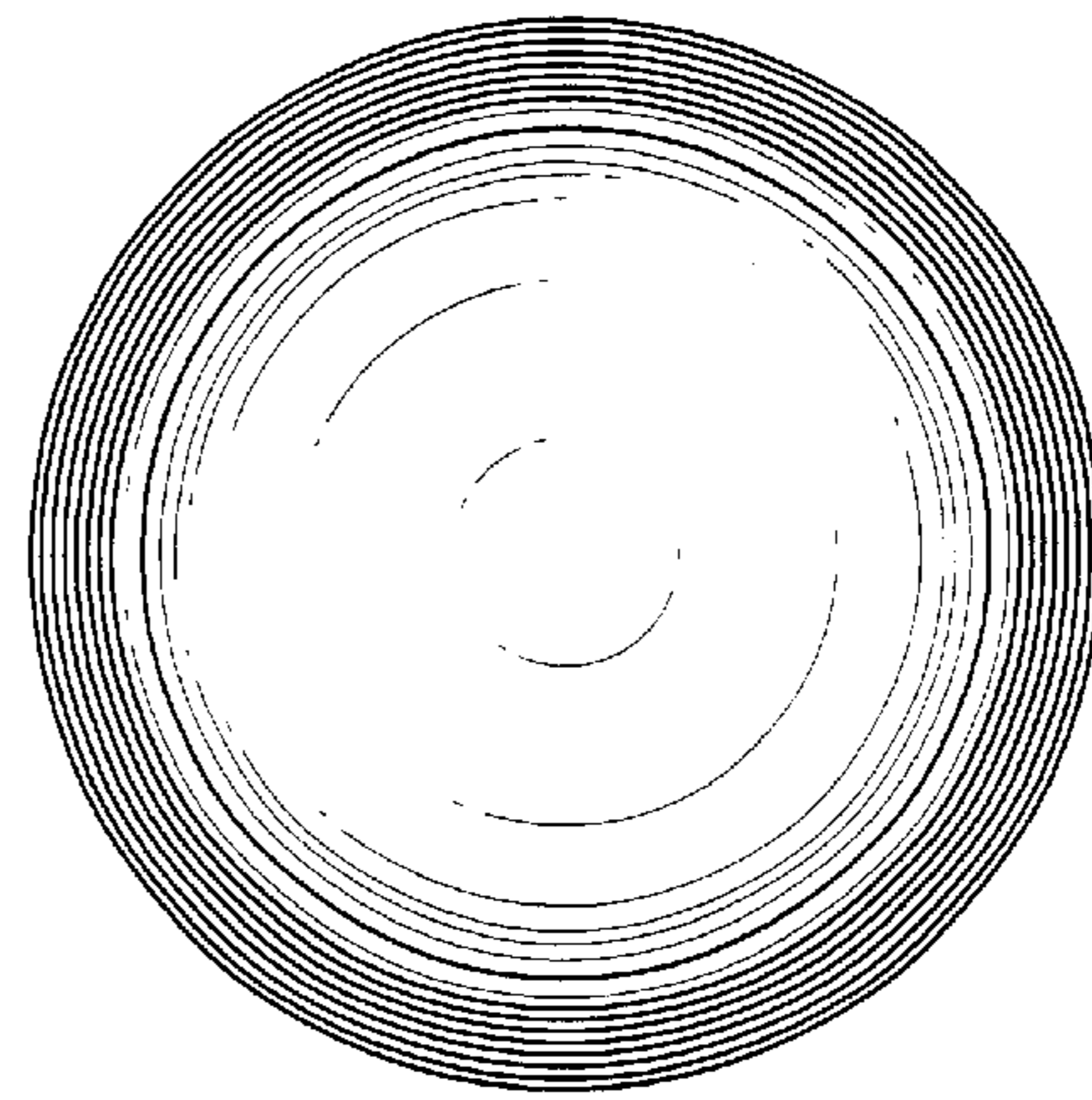


FIG. 3

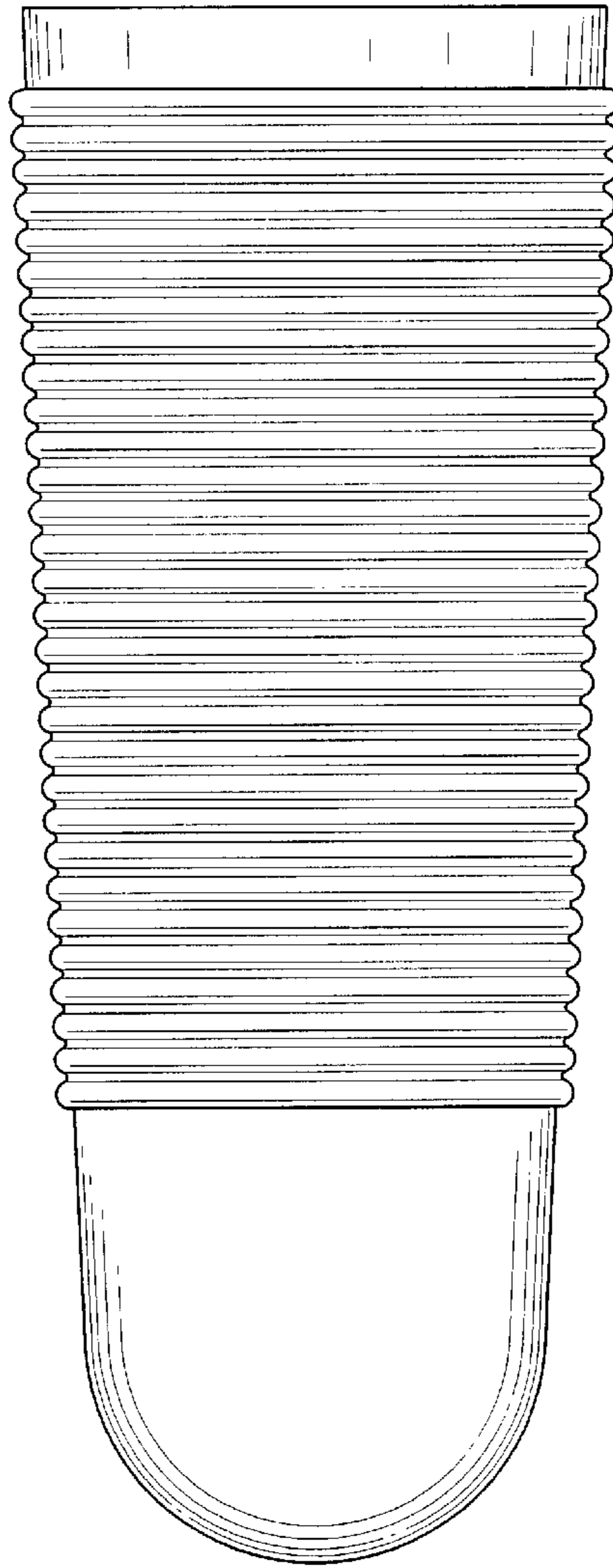


FIG. 4

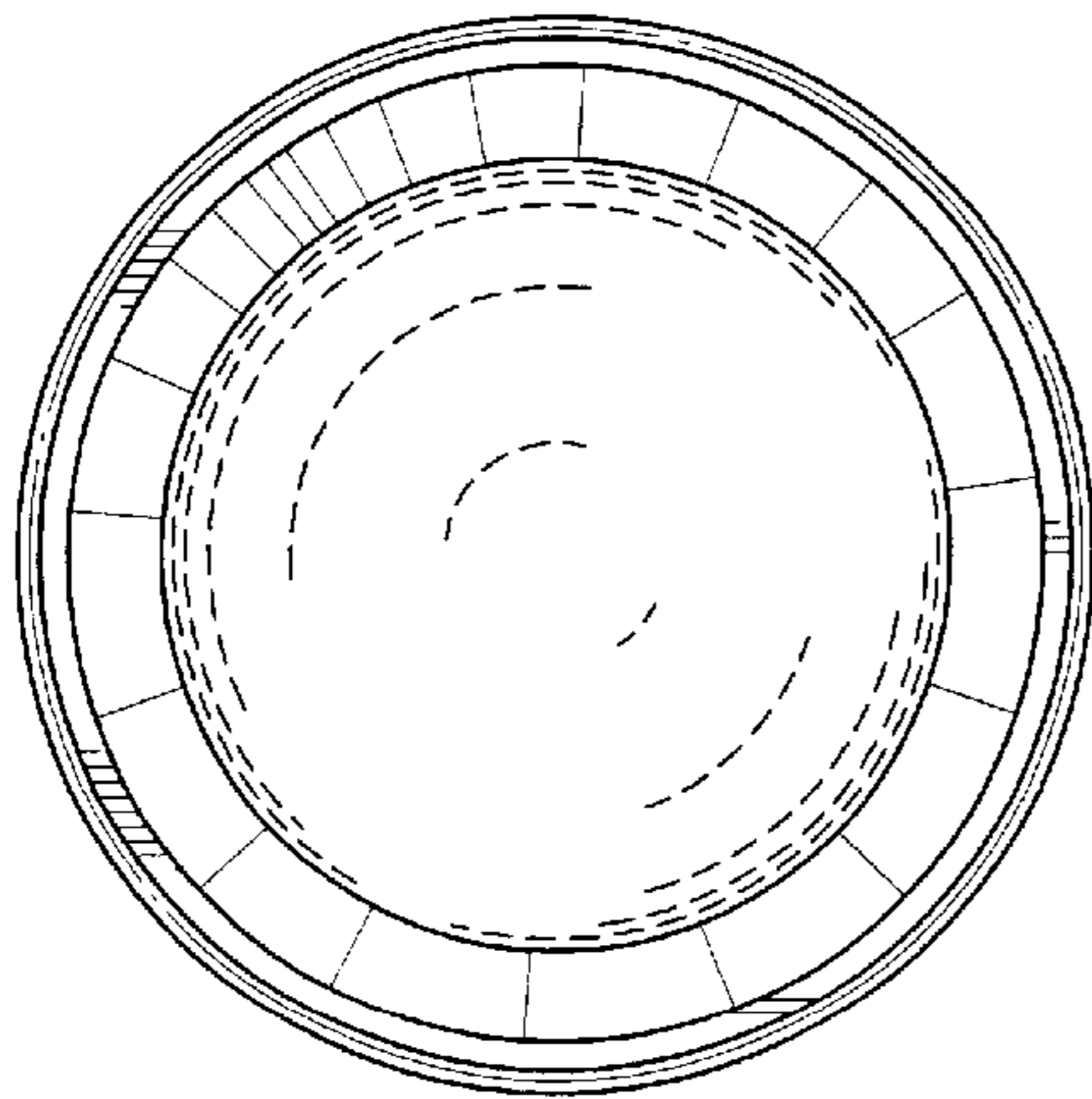


FIG. 5

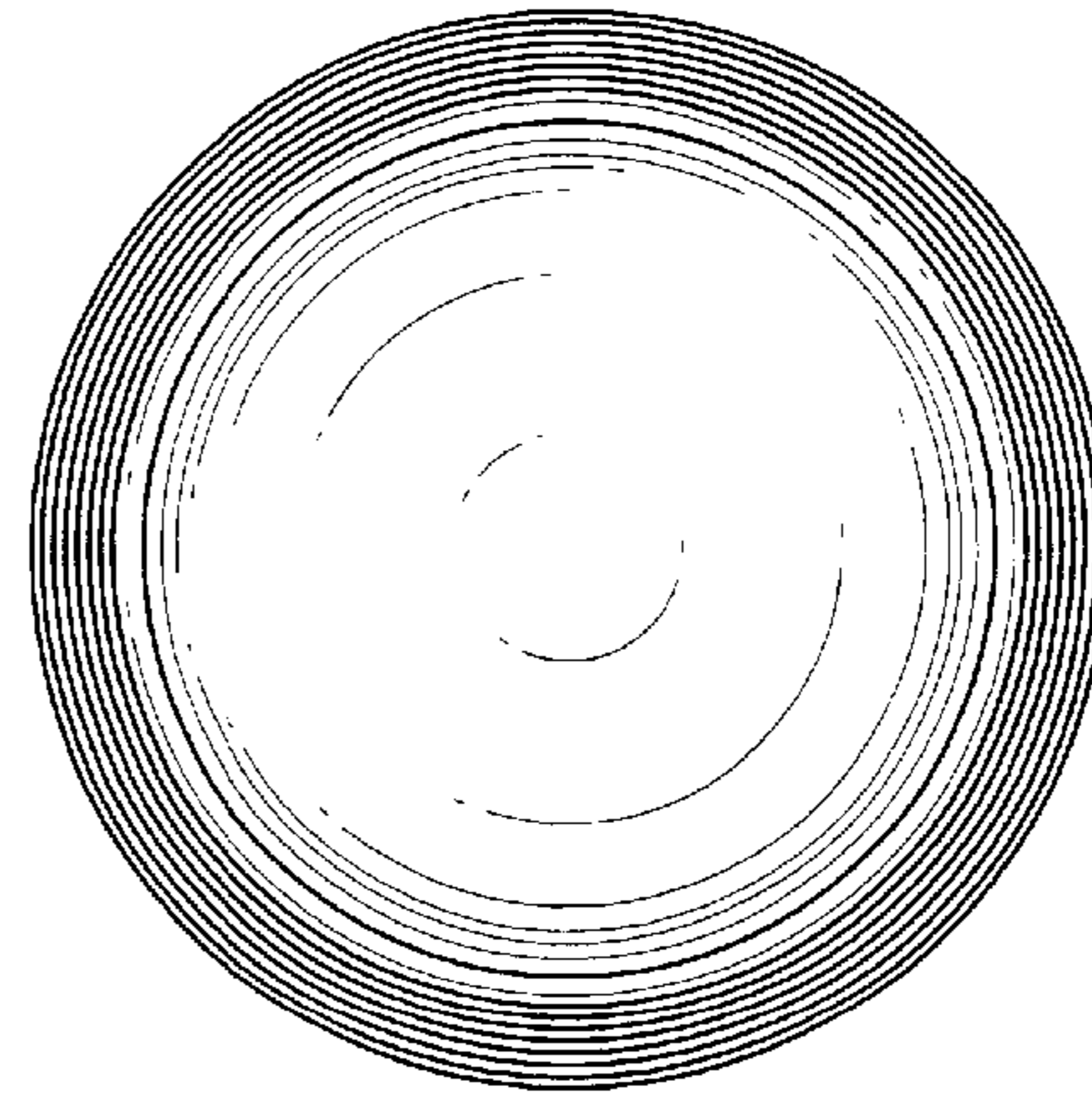


FIG. 6

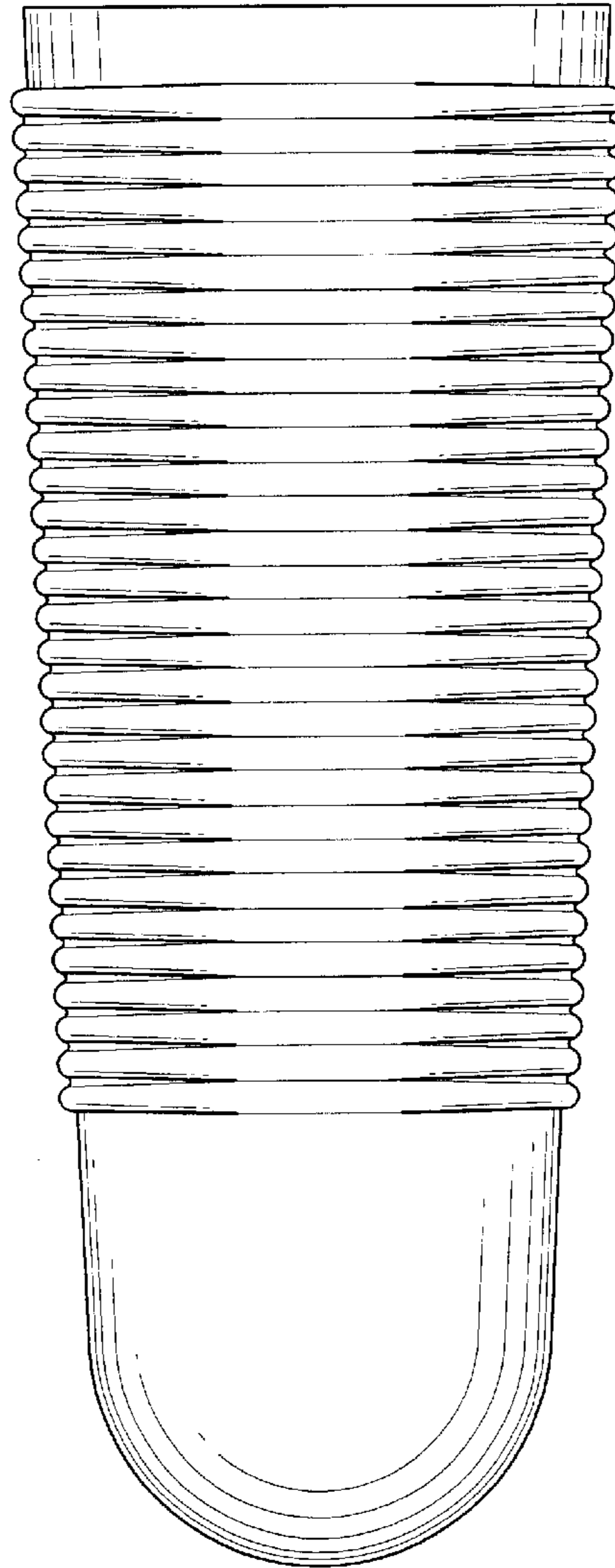


FIG. 7

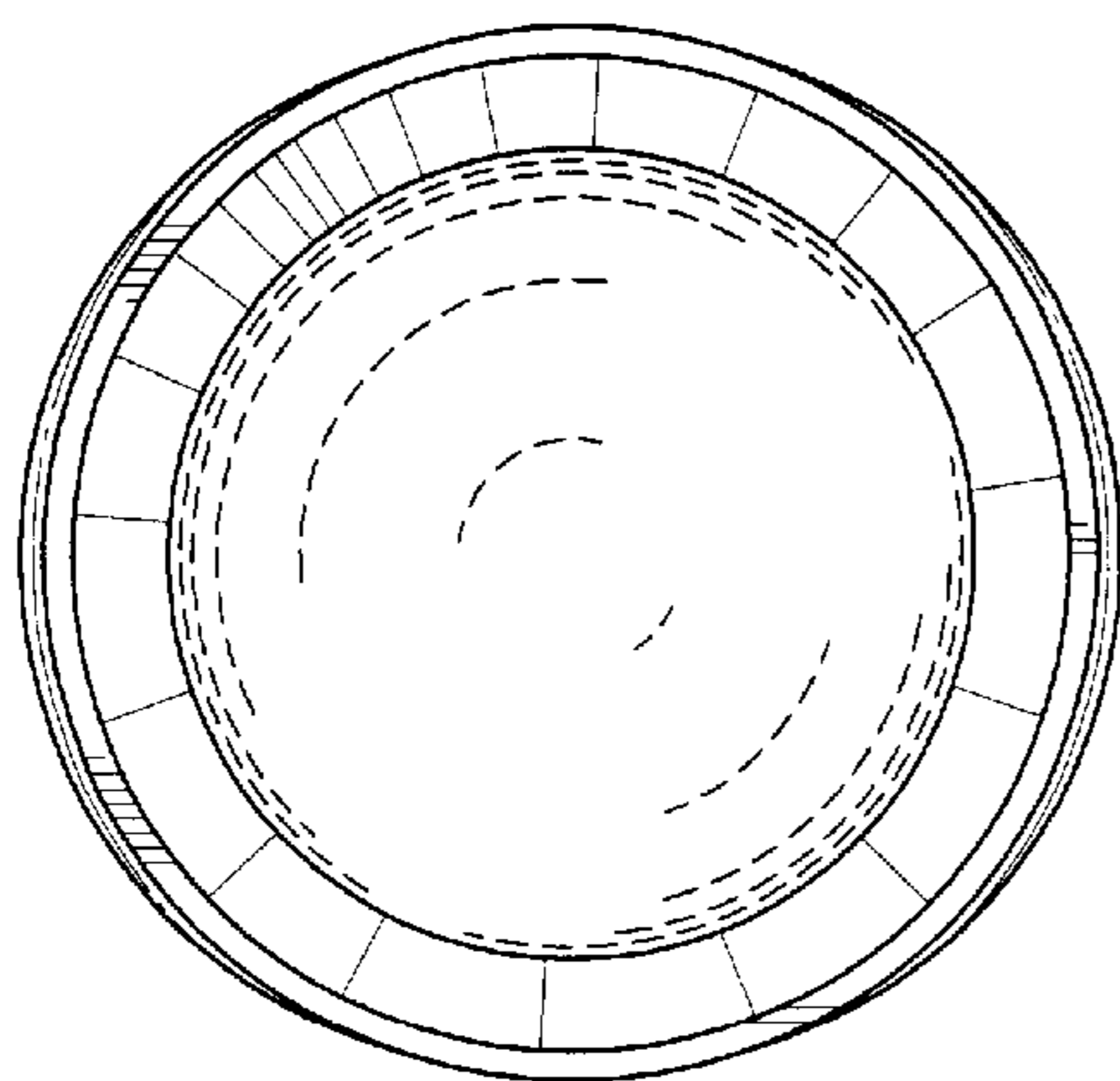


FIG. 8

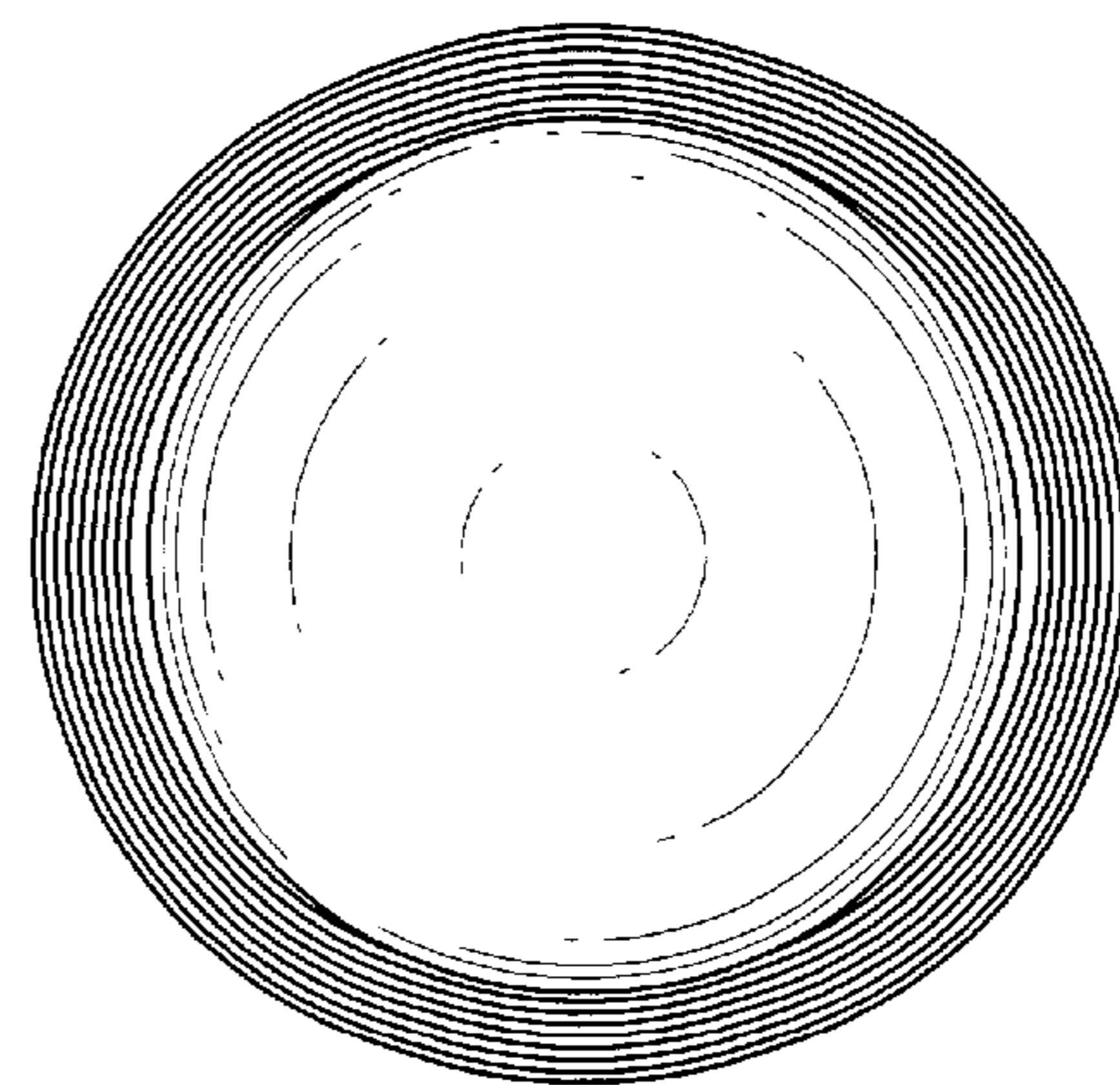


FIG. 9