

US00D503801S

(12) **United States Design Patent**
Jackson

(10) **Patent No.:** **US D503,801 S**

(45) **Date of Patent:** **** Apr. 5, 2005**

(54) **INTERBODY SPACER FOR SPINAL IMPLANTATION**

(76) **Inventor:** **Roger P. Jackson**, 4706 W. 86th St.,
Prairie Village, KS (US) 66207

(**) **Term:** **14 Years**

(21) **Appl. No.:** **29/202,759**

(22) **Filed:** **Apr. 5, 2004**

(51) **LOC (7) Cl.** **24-03**

(52) **U.S. Cl.** **D24/155**

(58) **Field of Search** D2/898, 899, 897,
D2/901, 981; D24/190, 192; 623/27, 31,
33, 43, 45, 48; 606/88

(56) **References Cited**

U.S. PATENT DOCUMENTS

D242,827 S	*	12/1976	Elliott	D24/155
D248,771 S	*	8/1978	Groth et al.	D24/155
4,834,757 A		5/1989	Brantigan		
D326,156 S	*	5/1992	Martinez	D24/155
5,139,527 A		8/1992	Redl et al.		
5,425,772 A		6/1995	Brantigan		
5,443,514 A		8/1995	Steffee		
5,458,638 A		10/1995	Kuslich et al.		
5,489,308 A		2/1996	Kuslich et al.		
D374,078 S	*	9/1996	Johnson et al.	D24/155
5,554,191 A		9/1996	Lahille et al.		
5,609,636 A		3/1997	Kohrs et al.		
5,658,337 A		8/1997	Kohrs et al.		
5,665,122 A		9/1997	Kambin		
5,669,909 A		9/1997	Zdeblick et al.		
5,681,135 A		10/1997	Simonson		
5,693,100 A		12/1997	Pisharodi		
5,716,355 A		2/1998	Jackson et al.		
5,716,415 A		2/1998	Steffee		

5,782,919 A		7/1998	Zdeblick et al.		
D397,439 S	*	8/1998	Koros et al.	D24/155
5,865,847 A		2/1999	Kohrs et al.		
5,904,719 A		5/1999	Errico et al.		
5,916,269 A	*	6/1999	Serbousek et al.	623/22.24
5,941,880 A		8/1999	Errico et al.		
5,968,098 A		10/1999	Winslow		
5,980,522 A		11/1999	Koros et al.		
6,102,950 A		8/2000	Vaccaro		
6,117,174 A		9/2000	Nolan		
6,123,705 A		9/2000	Michelson		
6,129,763 A		10/2000	Chauvin et al.		
6,165,219 A		12/2000	Kohrs et al.		
6,176,882 B1		1/2001	Biedermann et al.		
6,206,922 B1		3/2001	Zdeblick et al.		
6,224,631 B1		5/2001	Kohrs		
6,325,827 B1		12/2001	Lin		
6,436,139 B1		8/2002	Shapiro et al.		
6,440,170 B1		8/2002	Jackson		
2004/0078043 A1	*	4/2004	Masini	606/88

* cited by examiner

Primary Examiner—Charles A. Rademaker
(74) *Attorney, Agent, or Firm*—John C. McMahon

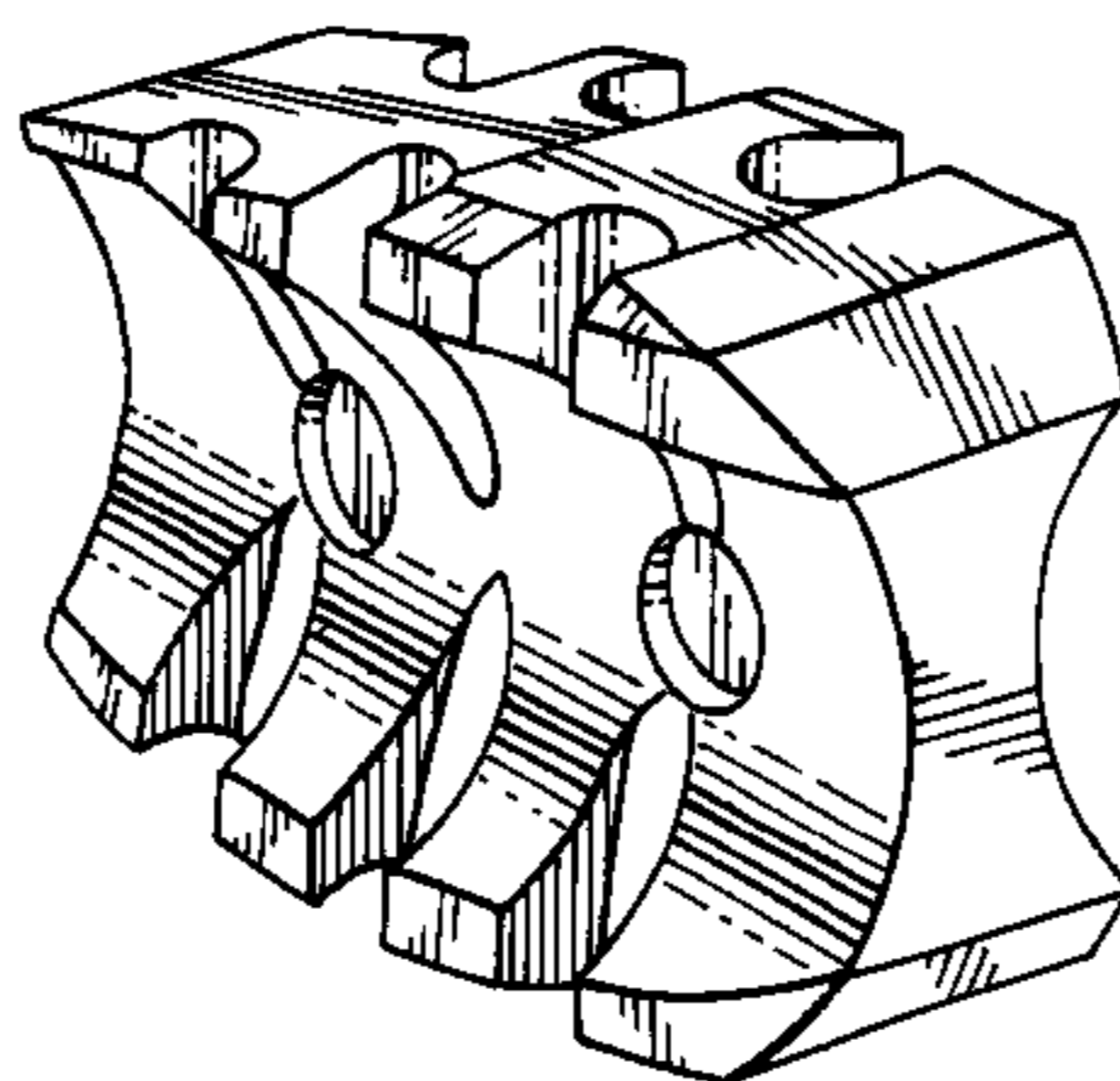
(57) **CLAIM**

The ornamental design for a interbody spacer for spinal implantation, as shown and described.

DESCRIPTION

FIG. 1 is a perspective view of an interbody spacer for spinal implantation showing my new design;
FIG. 2 is a side elevation thereof, the side opposite being a mirror image;
FIG. 3 is a top plan view thereof;
FIG. 4 is a front elevation thereof; and,
FIG. 5 is a rear elevation thereof.

1 Claim, 2 Drawing Sheets



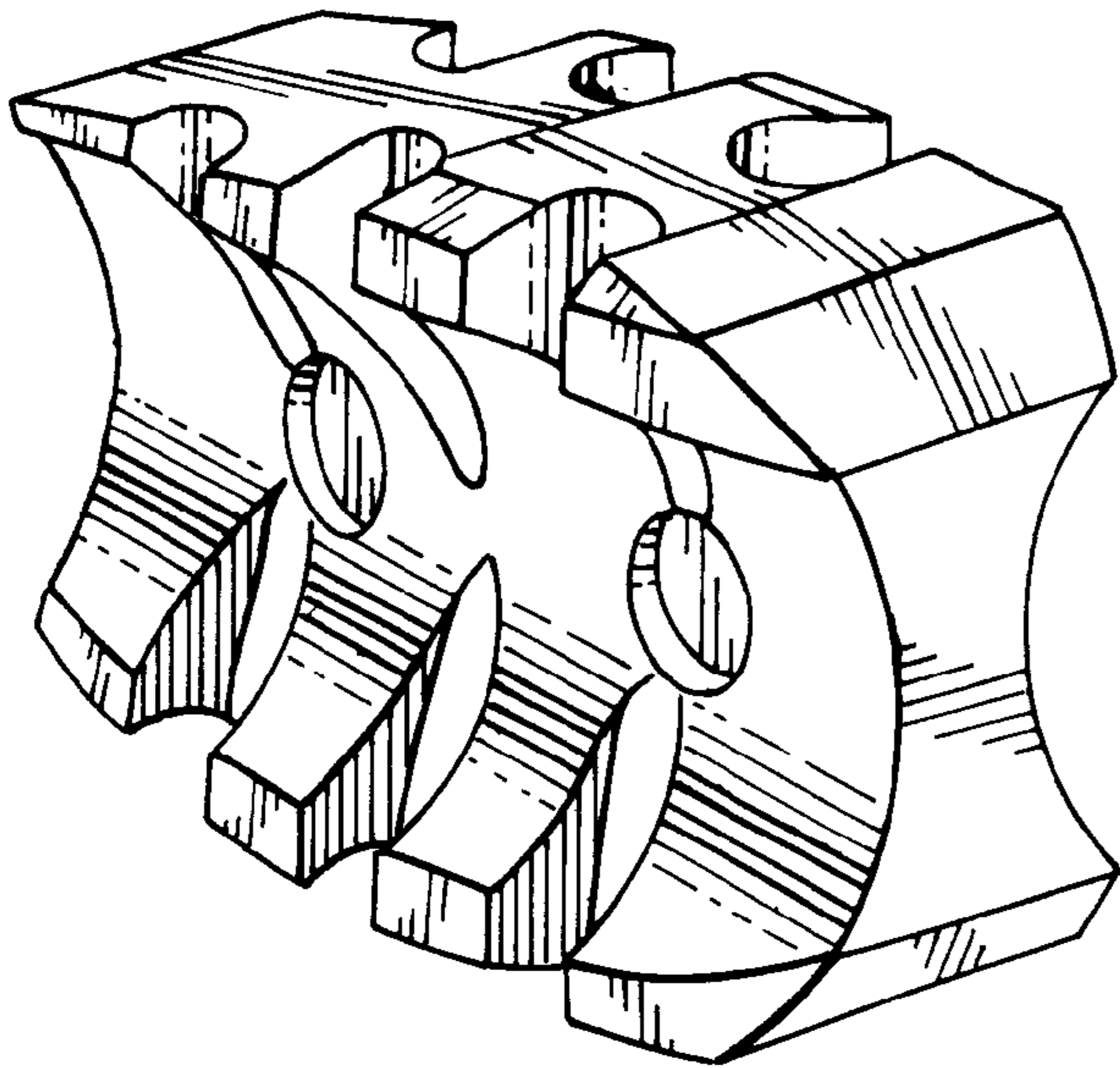


Fig. 1.

Fig. 2.

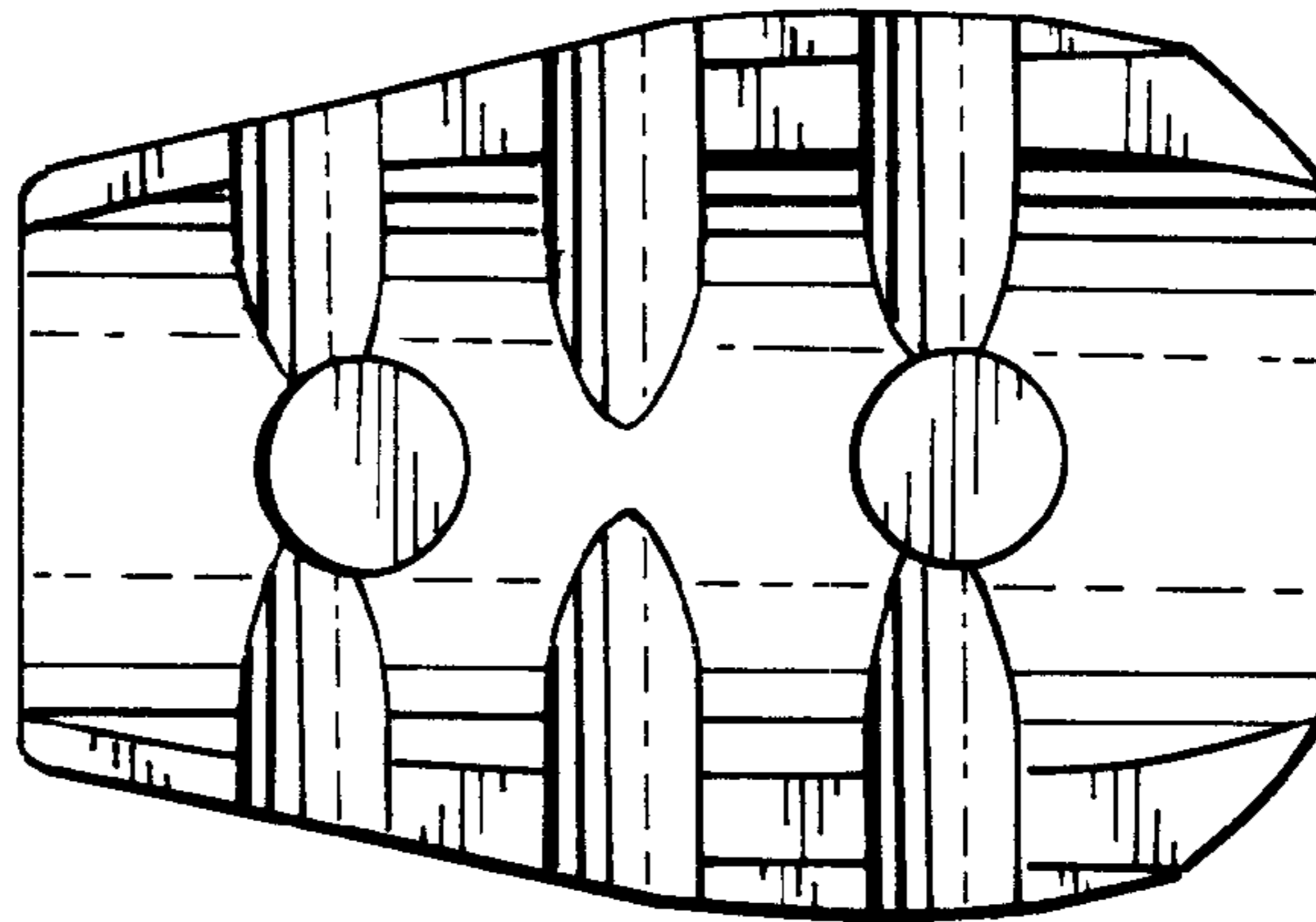
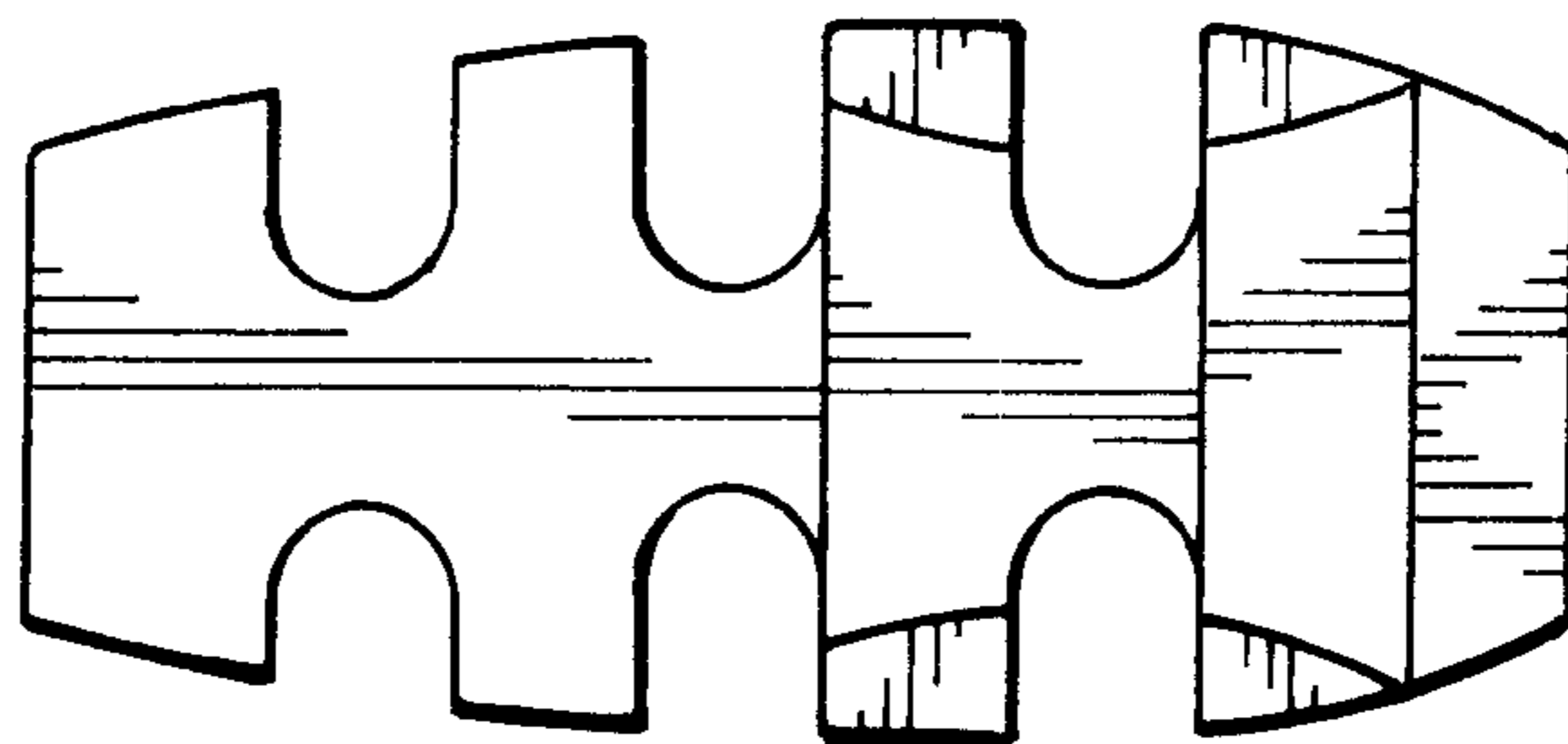


Fig. 3.



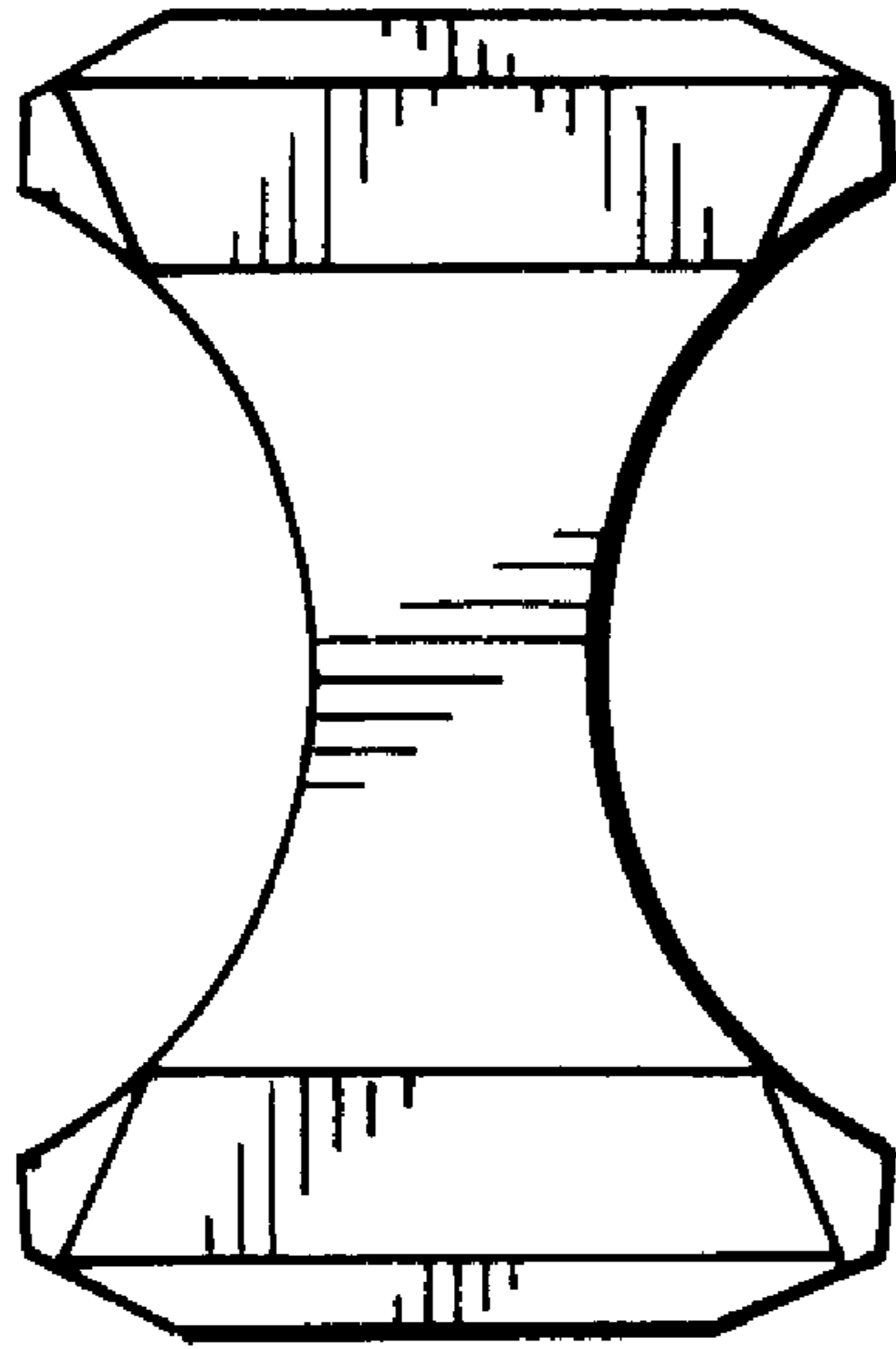


Fig. 4.

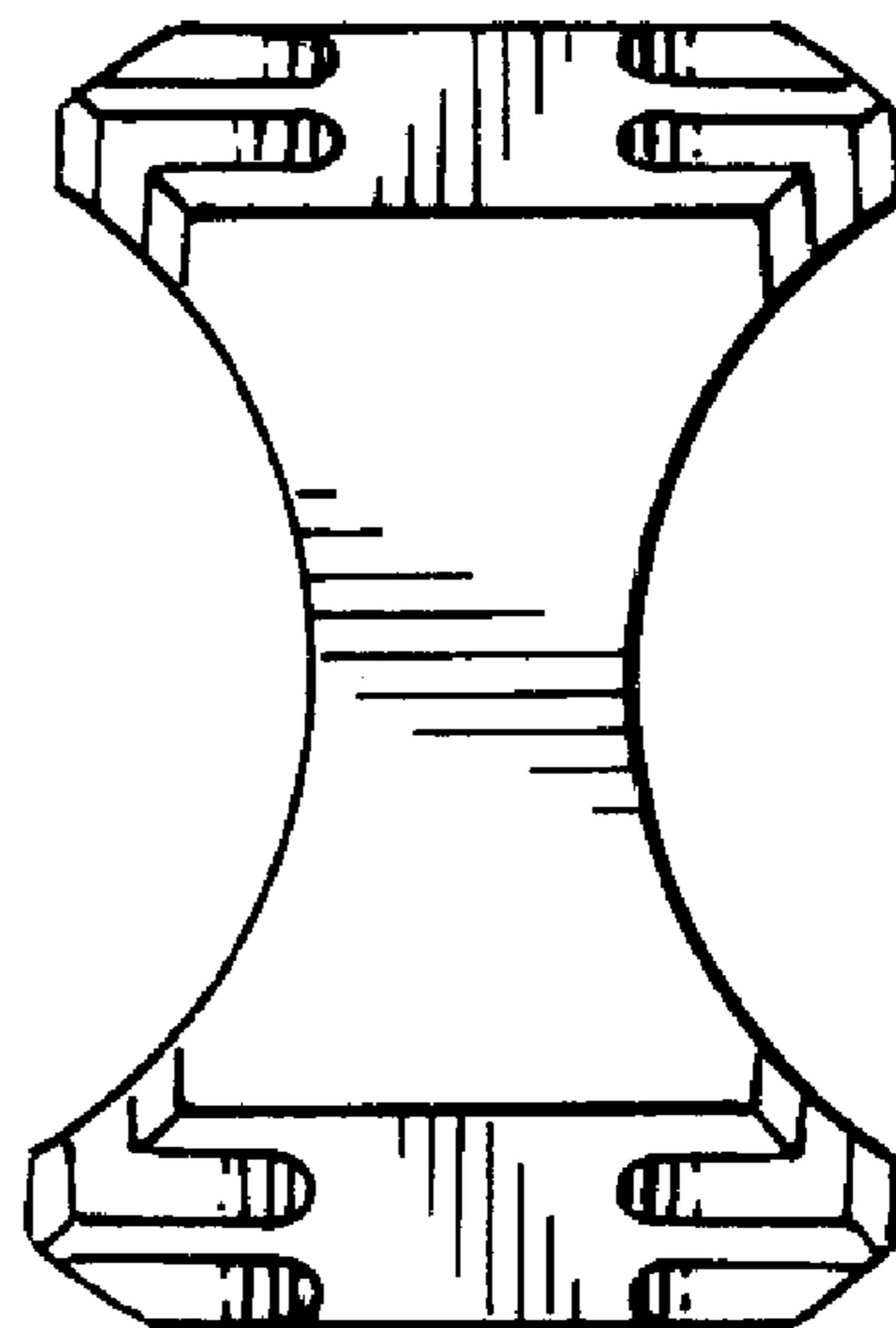


Fig. 5.