



US00D503794S

(12) **United States Design Patent**
Stansberry

(10) **Patent No.:** **US D503,794 S**

(45) **Date of Patent:** **** Apr. 5, 2005**

(54) **PORTABLE FIREPLACE**

(76) Inventor: **Ralph Stansberry**, 15260 Spiritwood Loop, Elbert, CO (US) 80106

(**) Term: **14 Years**

(21) Appl. No.: **29/189,069**

(22) Filed: **Aug. 27, 2003**

(51) **LOC (7) Cl.** **23-03**

(52) **U.S. Cl.** **D23/398**

(58) **Field of Search** D23/398, 348,
D23/343, 350, 317, 342, 346, 403; 126/120,
58, 121, 500, 25, 550, 519, 555, 9 R, 9 A;
D7/332, 337

(56) **References Cited**

U.S. PATENT DOCUMENTS

D33,884 S	*	1/1901	Richmond	D23/342
D219,655 S	*	1/1971	Salvador	D23/350
D270,420 S	*	9/1983	Baugh	D7/337
4,793,320 A	*	12/1988	Bakic	126/9 A
D303,061 S	*	8/1989	Fountain, Sr.	D7/332
5,086,752 A	*	2/1992	Hait	126/9 R

* cited by examiner

Primary Examiner—Louis S. Zarfes

Assistant Examiner—Susan Bennett Hattan

(74) *Attorney, Agent, or Firm*—David Pressman

(57) **CLAIM**

The ornamental design for a portable fireplace, as shown and described.

DESCRIPTION

FIG. 1 is a perspective view from above of my portable fireplace with its cover on.

FIG. 2 is an elevational view of the front side of the portable fireplace.

FIG. 3 is an elevational view of the rear side of the portable fireplace.

FIG. 4 is an elevational view of the right side of the portable fireplace.

FIG. 5 is an elevational view of the left side of the portable fireplace

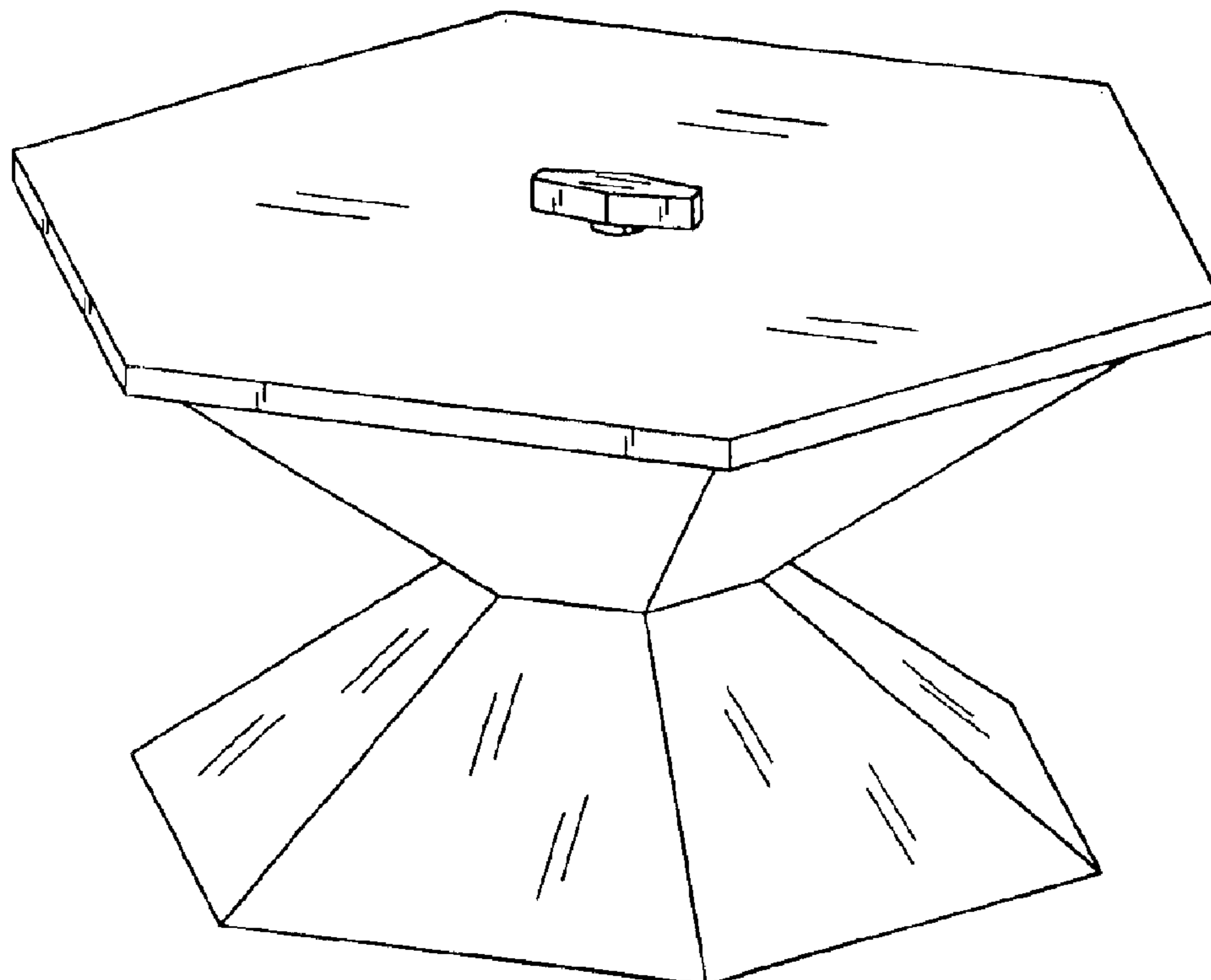
FIG. 6 is a top view of the portable fireplace; and,

FIG. 7 is a bottom view of the portable fireplace.

The portable fireplace of the invention is characterized by a multi-sided conical-like support, a multisided inverted conical-like body on the support, and a multisided lid on the body.

The bottom side features of the portable fireplace shown in broken lines in FIG. 7 form no part of the claimed design.

1 Claim, 4 Drawing Sheets



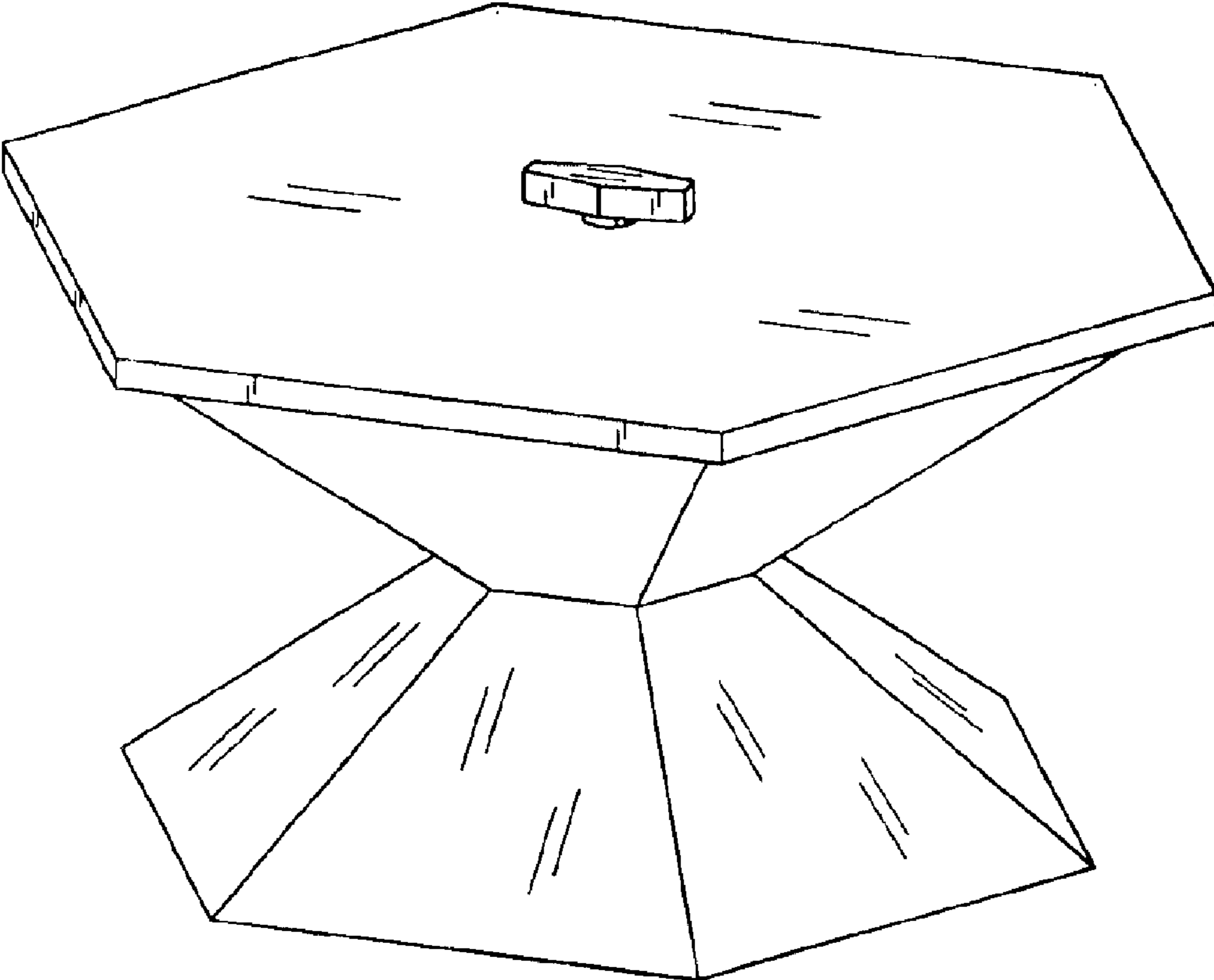


Fig. 1

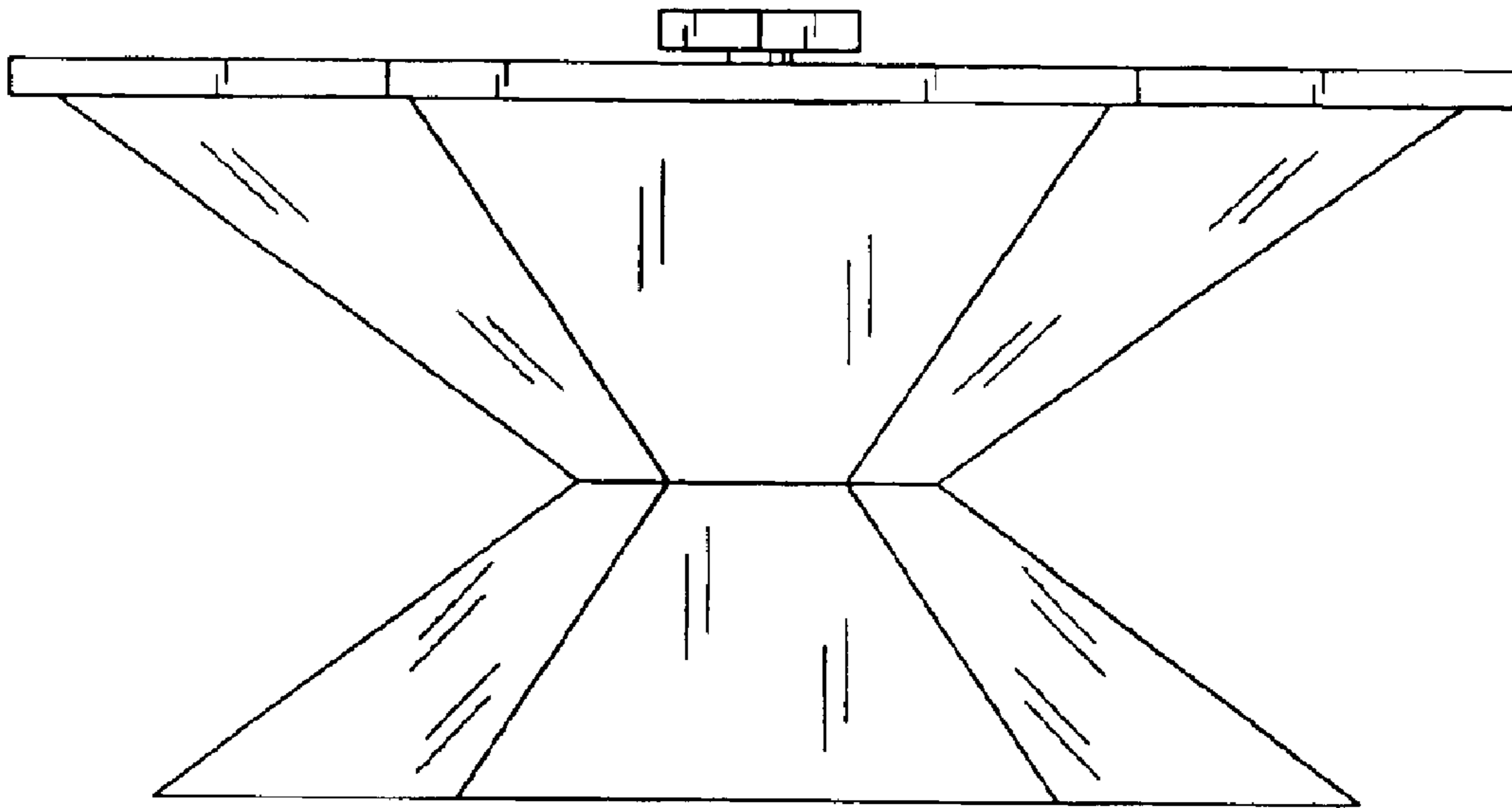


Fig. 2

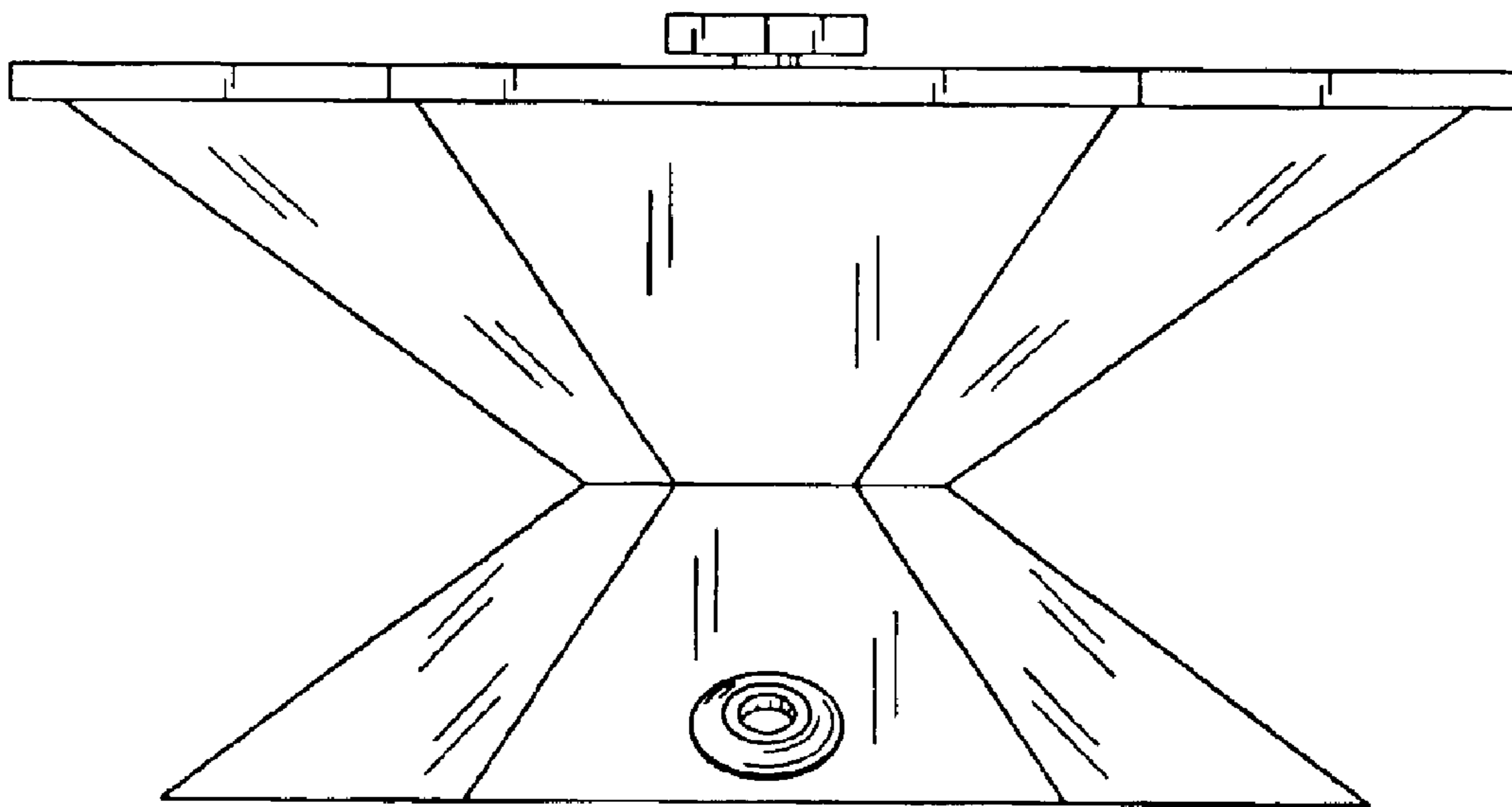


Fig. 3

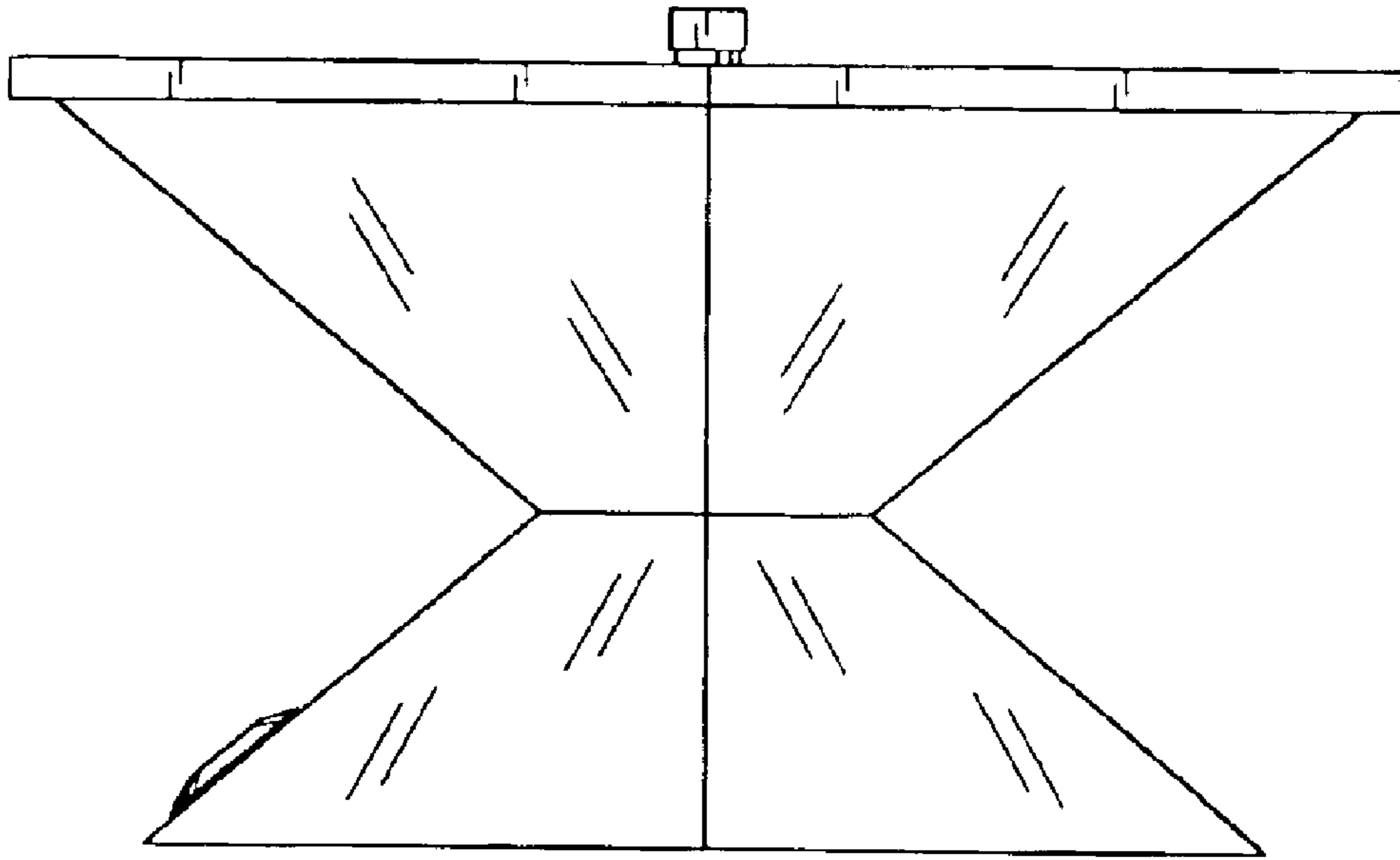


Fig. 4

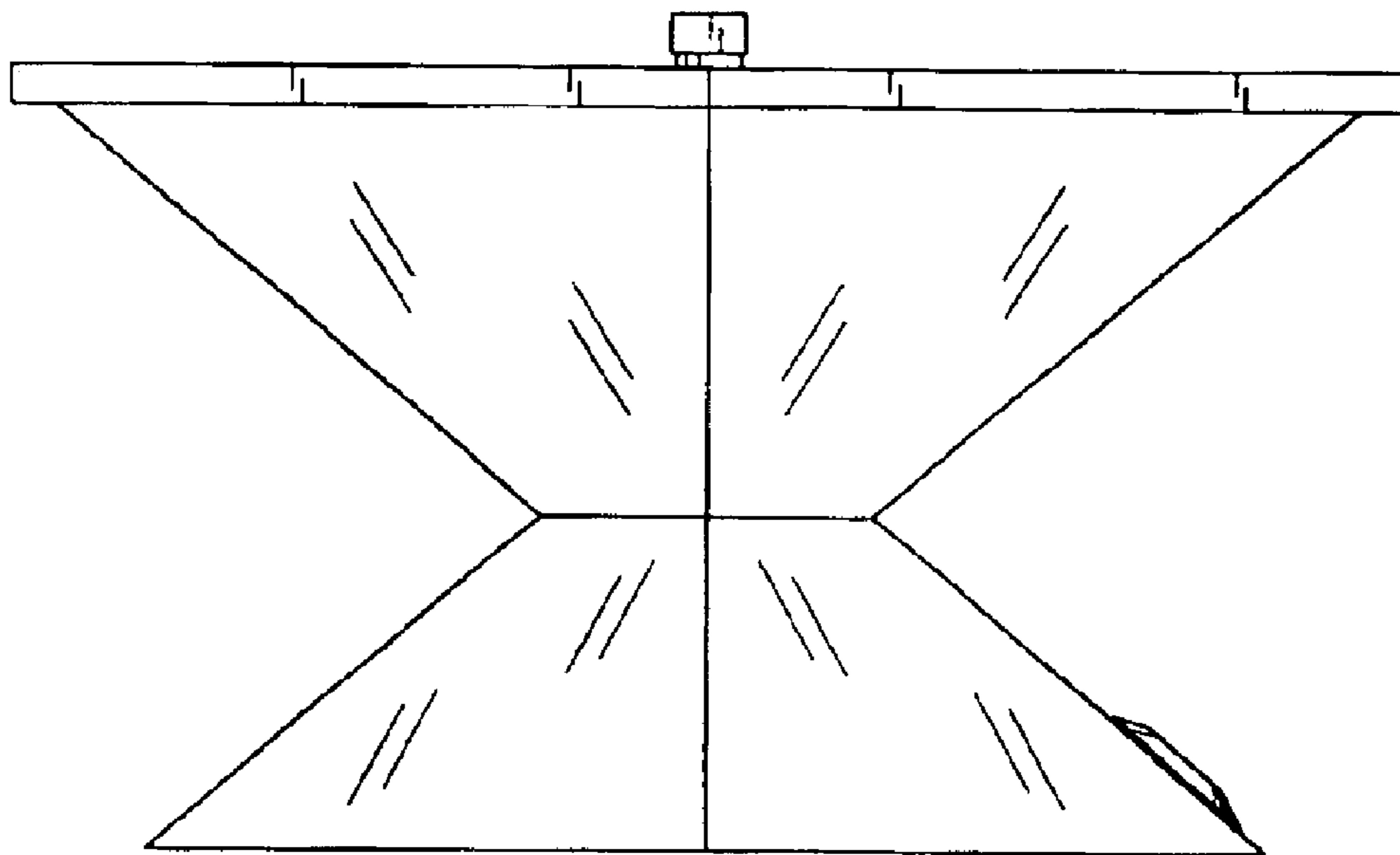


Fig. 5

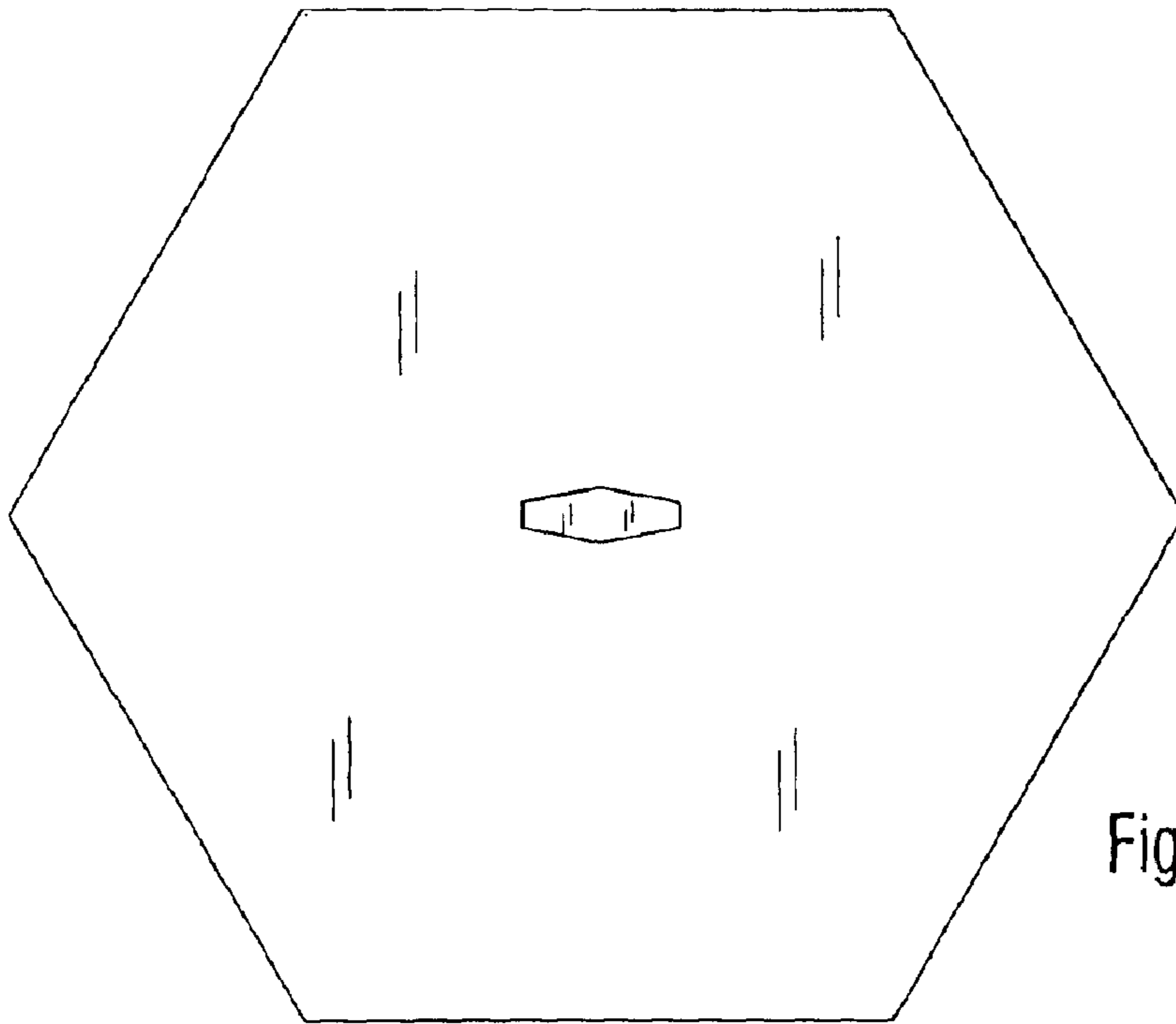


Fig. 6

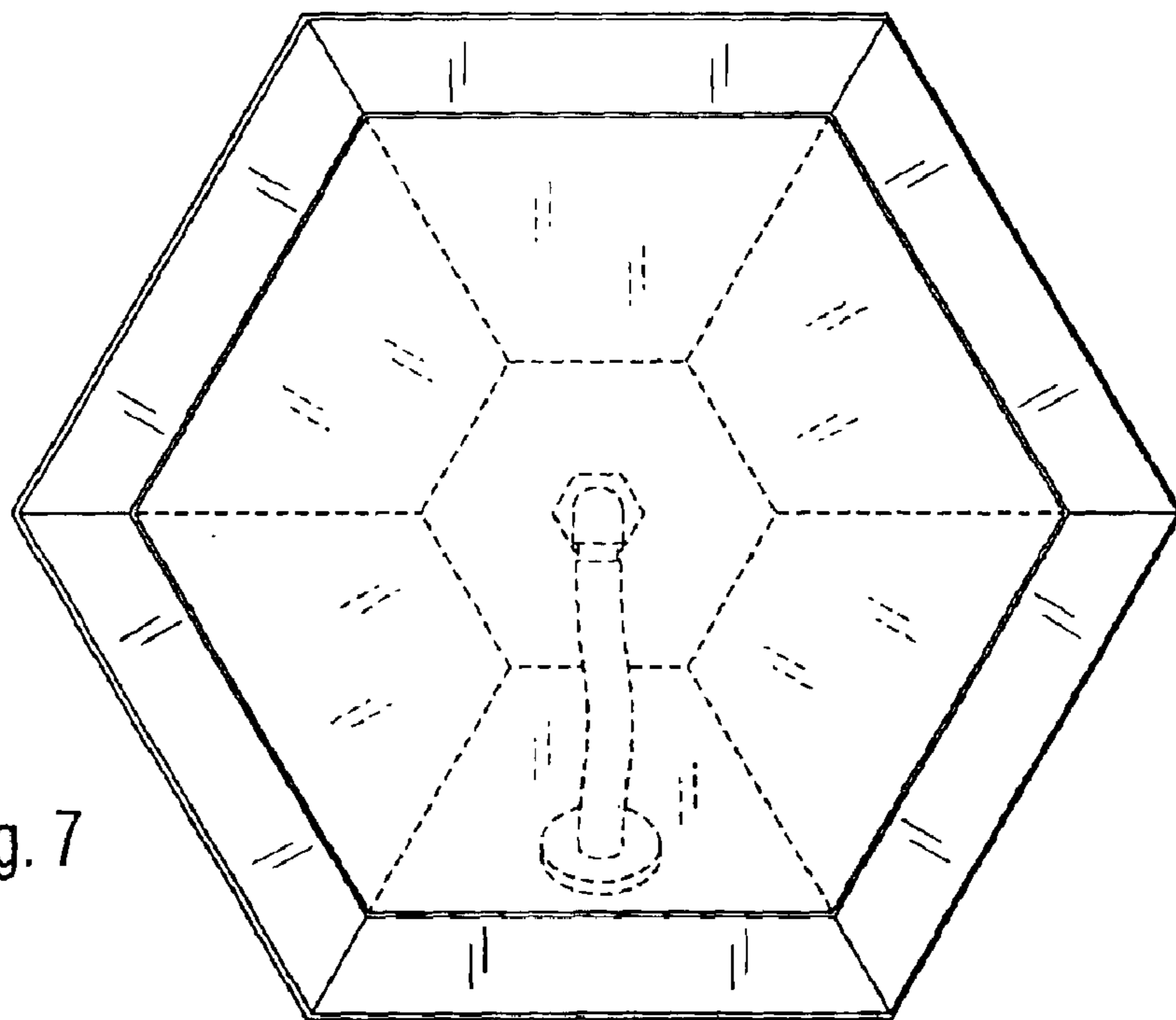


Fig. 7