

US00D503792S

(12) **United States Design Patent**
Snyder

(10) **Patent No.:** **US D503,792 S**

(45) **Date of Patent:** **** Apr. 5, 2005**

- (54) **POKE THROUGH END**
- (75) **Inventor:** **Darryl L. Snyder**, Canton, OH (US)
- (73) **Assignee:** **SGC Technologies, L.L.C.**, Canton, OH (US)
- (**) **Term:** **14 Years**
- (21) **Appl. No.:** **29/203,483**
- (22) **Filed:** **Apr. 14, 2004**

| | | | |
|-------------|----------|------------------|---------|
| 4,712,342 A | 12/1987 | Legerius et al. | |
| 4,765,375 A | * 8/1988 | Nakajima | 138/155 |
| 4,773,197 A | 9/1988 | Sullivan | |
| 4,817,348 A | 4/1989 | Wydra | |
| 4,858,520 A | * 8/1989 | Prochnow et al. | 454/284 |
| 4,967,524 A | 11/1990 | Hull et al. | |
| 5,421,775 A | * 6/1995 | Honda | 454/283 |
| 5,729,938 A | 3/1998 | Tobias | |
| D394,901 S | * 6/1998 | Governale et al. | D23/354 |
| 5,813,706 A | 9/1998 | Travis | |
| 6,024,127 A | 2/2000 | Johnson | |
| 6,125,593 A | 10/2000 | Randolph et al. | |
| D465,276 S | 11/2002 | Snyder | |

Related U.S. Application Data

- (62) Division of application No. 29/194,261, filed on Nov. 20, 2003.
- (51) **LOC (7) Cl.** **23-04**
- (52) **U.S. Cl.** **D23/393**
- (58) **Field of Search** D23/354, 314, D23/329, 386-387, 393, 421, 499; 454/224, 227, 380, 906, 238-284, 307, 309, 370, 330-331; 138/106, 128, 172, 155-156, 177-178, DIG. 11; 55/502

FOREIGN PATENT DOCUMENTS

IT 295401 10/1936

* cited by examiner

Primary Examiner—Robert A Delehanty
(74) *Attorney, Agent, or Firm*—Zollinger & Burleson Ltd.

(57) **CLAIM**

The ornamental design for the poke through end, as shown and described.

(56) **References Cited**

U.S. PATENT DOCUMENTS

| | | | |
|-------------|-----------|----------------|---------|
| 343,025 A | 6/1886 | Gordon et al. | |
| 403,564 A | 5/1889 | Sullivan | |
| 641,580 A | 1/1900 | Cummins | |
| 1,776,656 A | 9/1930 | Frederickson | |
| 1,992,574 A | * 2/1935 | Jenkins | 138/156 |
| 3,460,322 A | * 8/1969 | Rivers et al. | 55/502 |
| 3,740,934 A | * 6/1973 | Shuler | 55/502 |
| 4,020,875 A | * 5/1977 | Akiba | 138/128 |
| 4,174,126 A | 11/1979 | Hauff | |
| 4,429,497 A | 2/1984 | Dibernardi | |
| 4,467,914 A | * 8/1984 | Trammel et al. | 138/155 |
| 4,607,469 A | 8/1986 | Harrison | |
| 4,711,160 A | * 12/1987 | Witten et al. | 454/283 |

DESCRIPTION

FIG. 1 is a perspective view of the poke through end as it appears when installed in a wall; the wall being shown in broken lines.

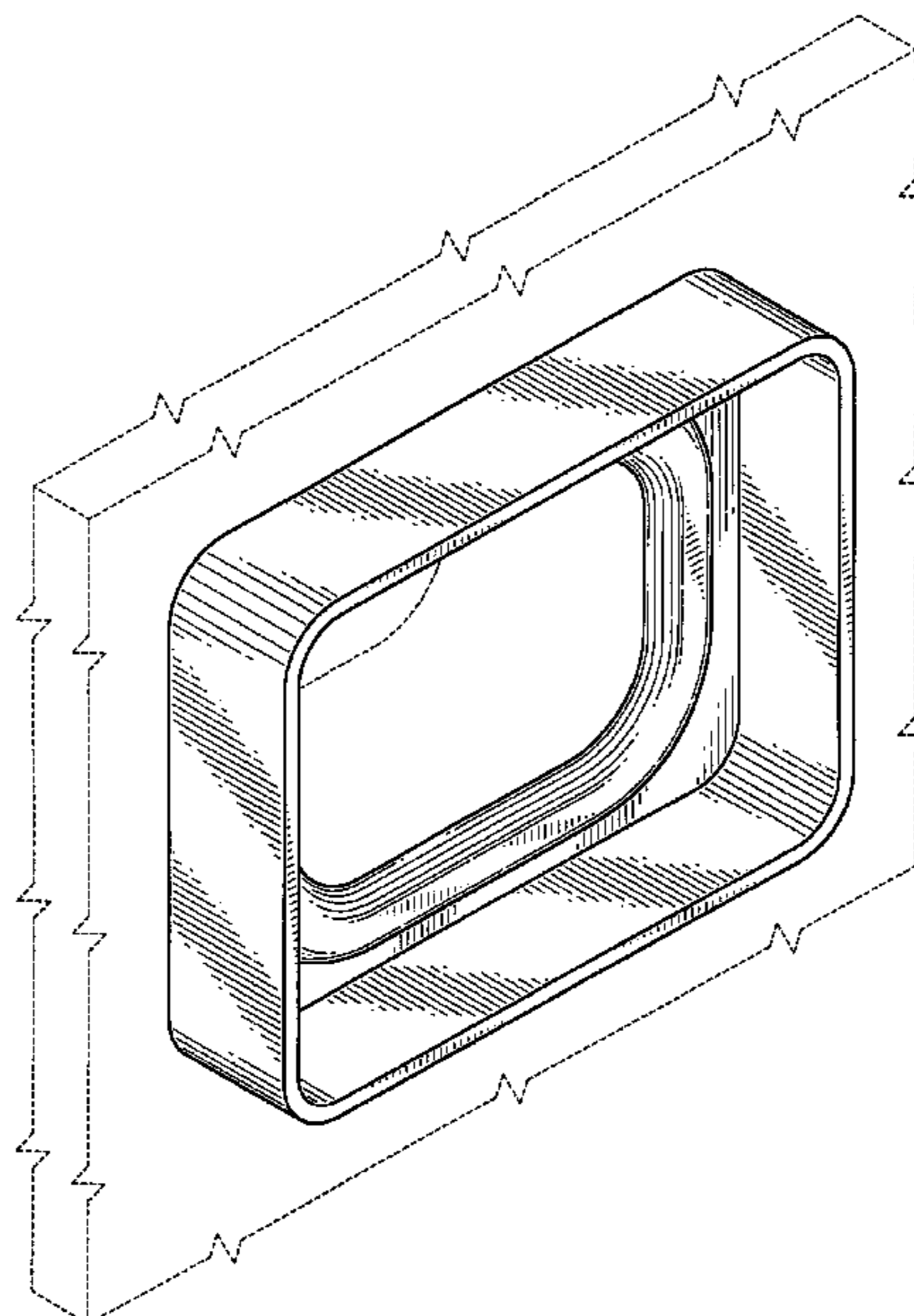
FIG. 2 is a top plan view of the poke through end of FIG. 1; the bottom plan view being a mirror image thereof.

FIG. 3 is a front elevation view of the poke through end of FIG. 1; and,

FIG. 4 is a left side elevation view of the poke through end of FIG. 1; the right side being a mirror image thereof.

The broken lines of the drawings are for illustrative purposes and form no part of the claimed invention.

1 Claim, 3 Drawing Sheets



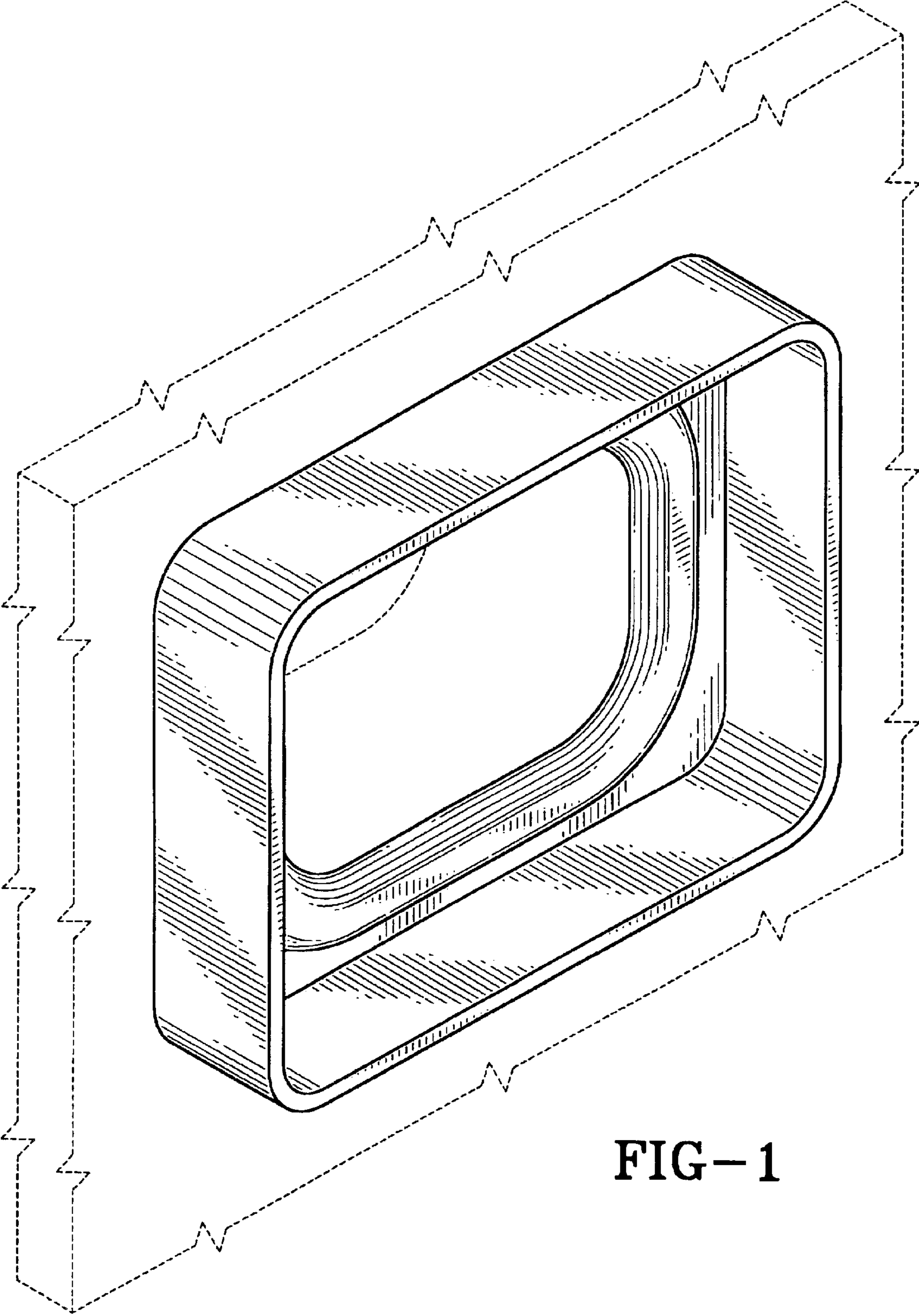


FIG-1

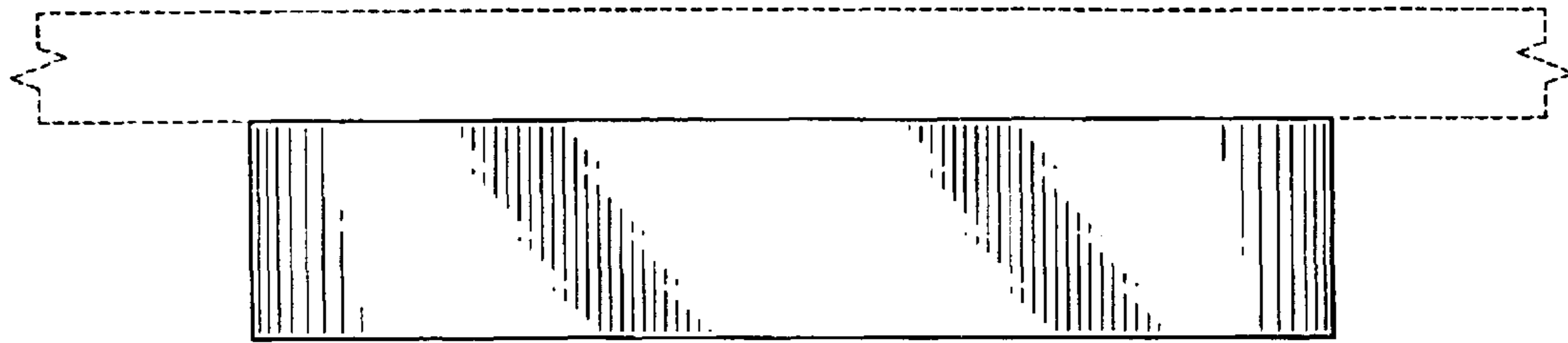


FIG-2

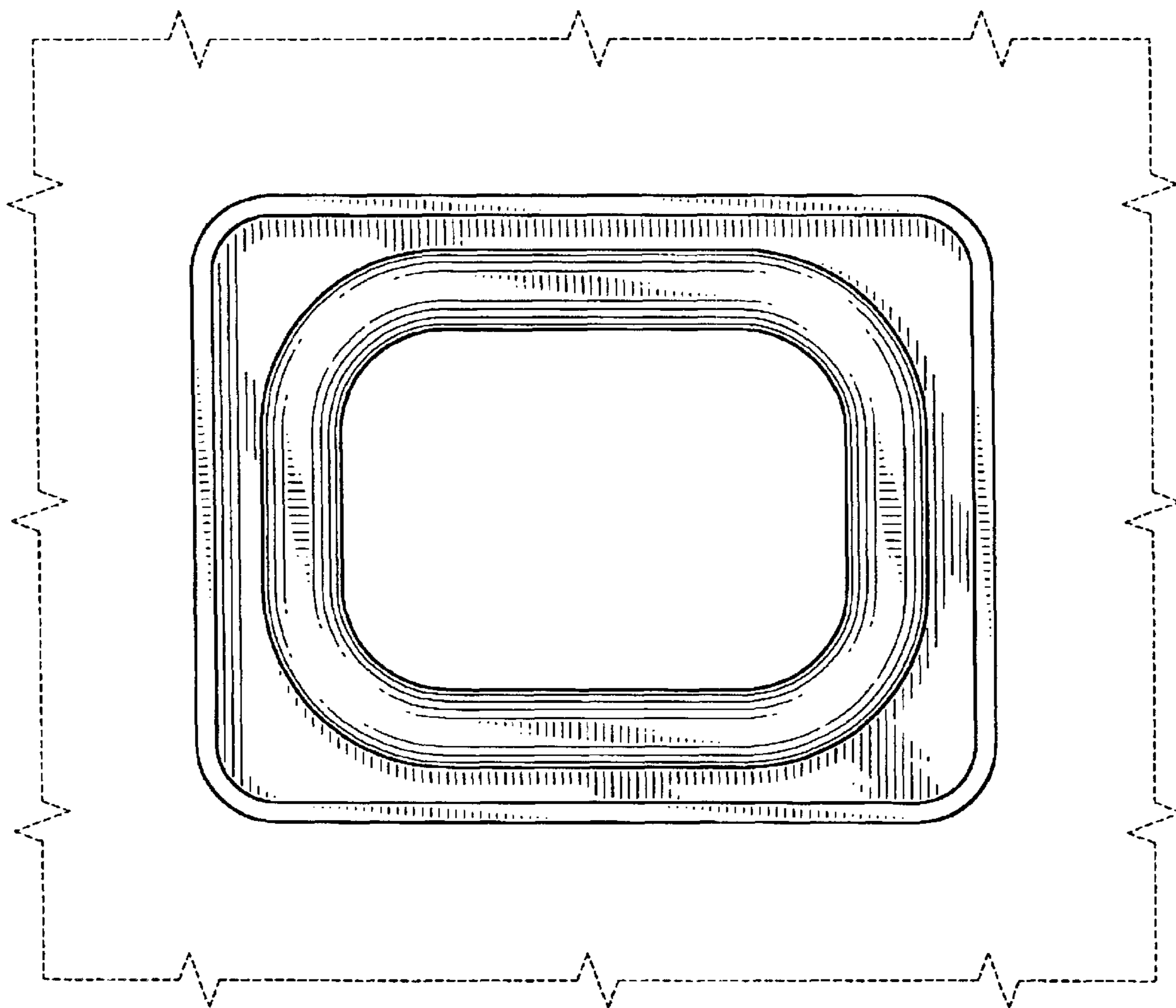


FIG-3

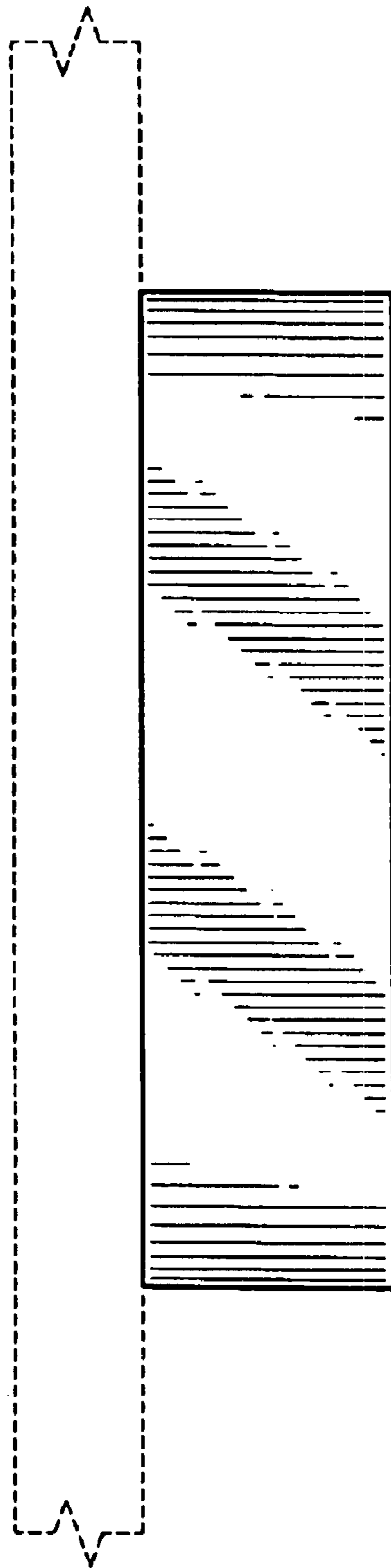


FIG-4