

US00D503791S

(12) **United States Design Patent**  
**Snyder**

(10) **Patent No.:** **US D503,791 S**  
(45) **Date of Patent:** **\*\* Apr. 5, 2005**

- (54) **END CAP FOR POKE THROUGH**
- (75) **Inventor:** **Darryl L. Snyder**, Canton, OH (US)
- (73) **Assignee:** **SGC Technologies, L.L.C.**, Canton, OH (US)
- (\*\*) **Term:** **14 Years**
- (21) **Appl. No.:** **29/203,482**
- (22) **Filed:** **Apr. 14, 2004**

4,607,469 A	8/1986	Harrison	
4,711,160 A	* 12/1987	Witten et al. ....	454/283
4,712,342 A	12/1987	Legerius et al.	
4,765,375 A	* 8/1988	Nakajima .....	138/155
4,773,197 A	9/1988	Sullivan	
4,817,348 A	4/1989	Wydra	
4,858,520 A	* 8/1989	Prochnow et al. ....	454/284
4,967,524 A	11/1990	Hull et al.	
5,421,775 A	* 6/1995	Honda .....	454/283
5,729,938 A	3/1998	Tobias	
D394,901 S	* 6/1998	Governale et al. ....	D23/354
5,813,706 A	9/1998	Travis	
6,024,127 A	2/2000	Johnson	
6,125,593 A	10/2000	Randolph et al.	
D465,276 S	11/2002	Snyder	

**Related U.S. Application Data**

- (62) Division of application No. 29/194,262, filed on Nov. 20, 2003.
- (51) **LOC (7) Cl.** ..... **23-04**
- (52) **U.S. Cl.** ..... **D23/393**
- (58) **Field of Search** ..... D23/354, 314, D23/329, 386-387, 393, 421, 499; 454/224, 227, 380, 906, 283-284, 307, 309, 370, 330-331; 138/106, 128, 172, 155-156, 177-178, DIG. 11; 55/502

**FOREIGN PATENT DOCUMENTS**

IT 295401 10/1936

\* cited by examiner

*Primary Examiner*—Robert A. Delehanty  
(74) *Attorney, Agent, or Firm*—Zollinger & Burleson, Ltd.

(57) **CLAIM**

The ornamental design for the end cap for poke through, as shown and described.

(56) **References Cited**

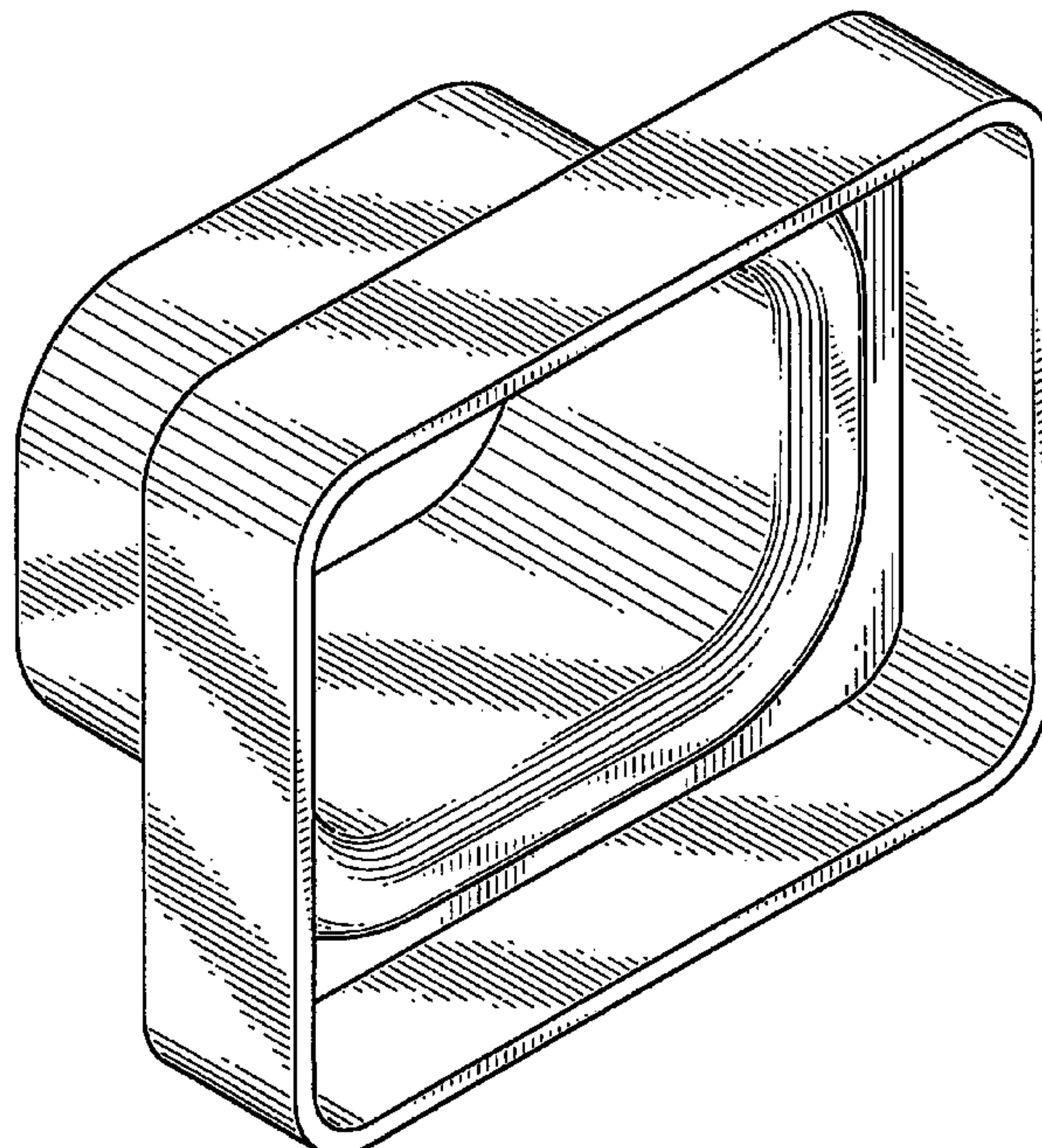
**U.S. PATENT DOCUMENTS**

343,025 A	6/1886	Gordon et al.	
403,564 A	5/1889	Sullivan	
641,580 A	1/1900	Cummins	
1,776,656 A	9/1930	Frederickson	
1,992,574 A	* 2/1935	Jenkins .....	138/156
3,460,322 A	* 8/1969	Rivers et al. ....	55/502
3,740,934 A	* 6/1973	Shuler .....	55/502
4,020,875 A	* 5/1977	Akiba .....	138/128
4,174,126 A	11/1979	Hauff	
4,429,497 A	2/1984	Dibernardi	
4,467,914 A	* 8/1984	Trammel et al. ....	138/155

**DESCRIPTION**

FIG. 1 is a perspective view of the end cap for poke through showing my new design.  
FIG. 2 is top plan view FIG. 1.  
FIG. 3 is a front elevation view of FIG. 1.  
FIG. 4 is a bottom plan view of FIG. 1.  
FIG. 5 is left side elevation view of FIG. 1.  
FIG. 6 is a right side elevation view of FIG. 1; and,  
FIG. 7 is a rear elevation view of FIG. 1.

**1 Claim, 3 Drawing Sheets**



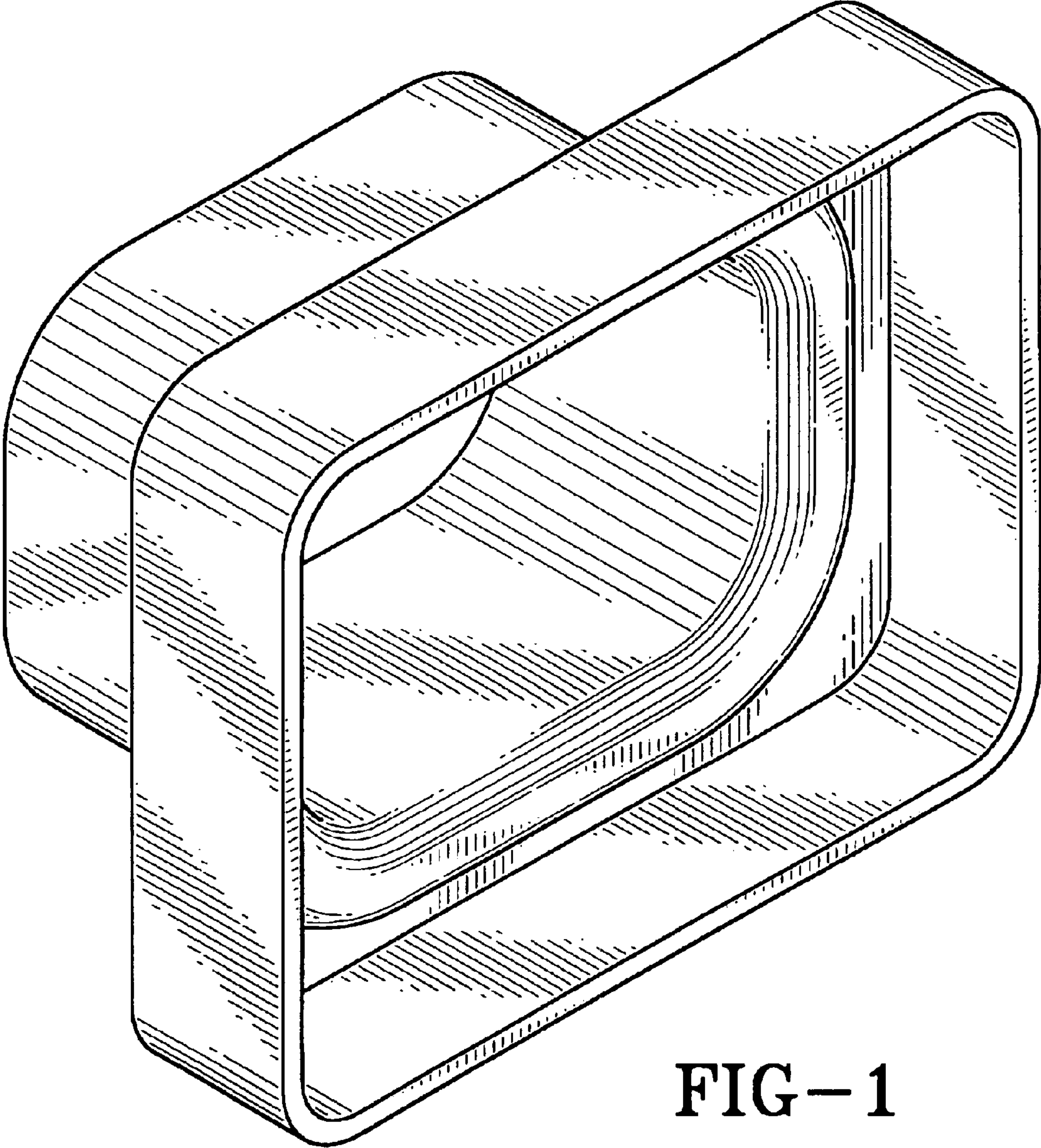


FIG-1

FIG-2

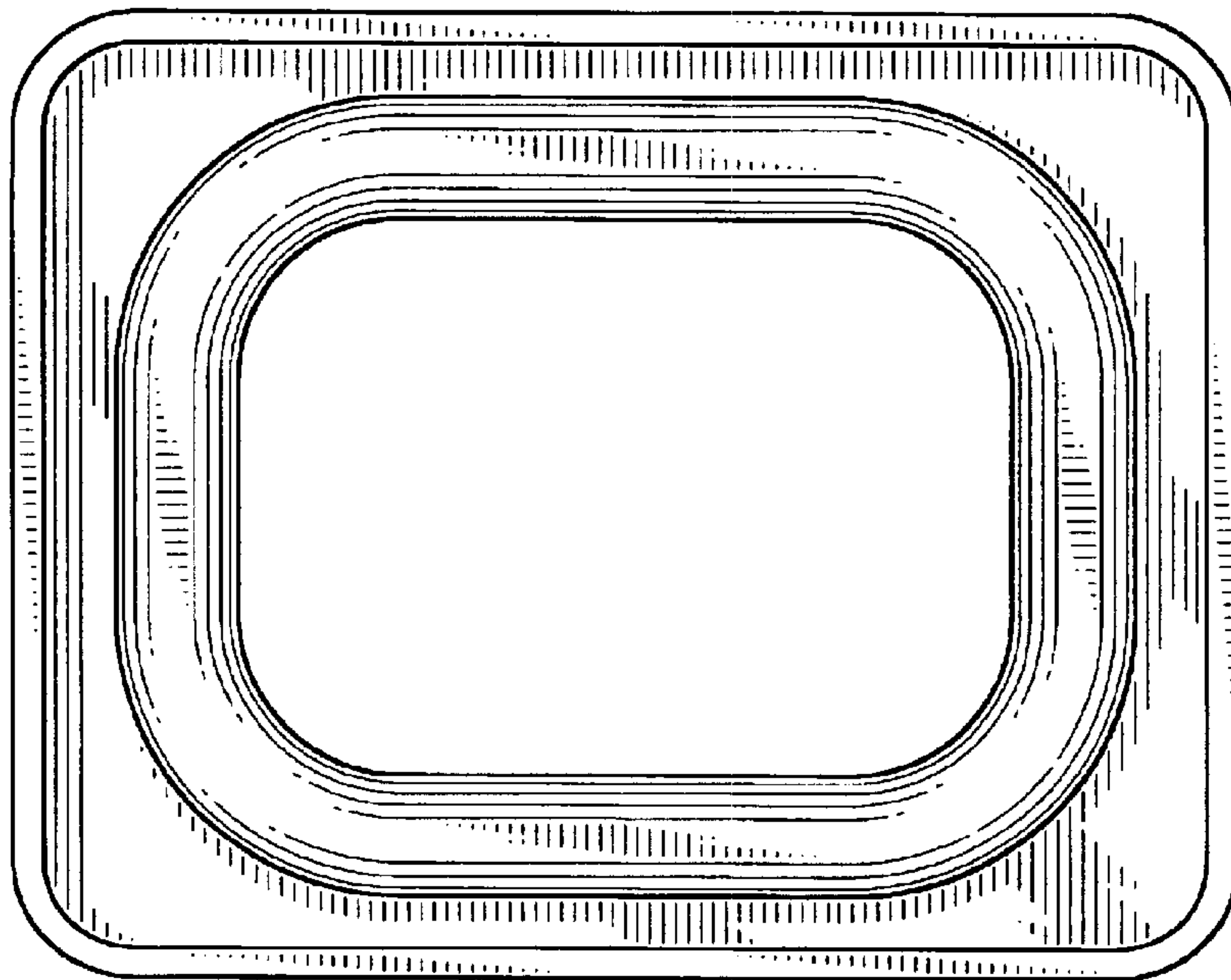
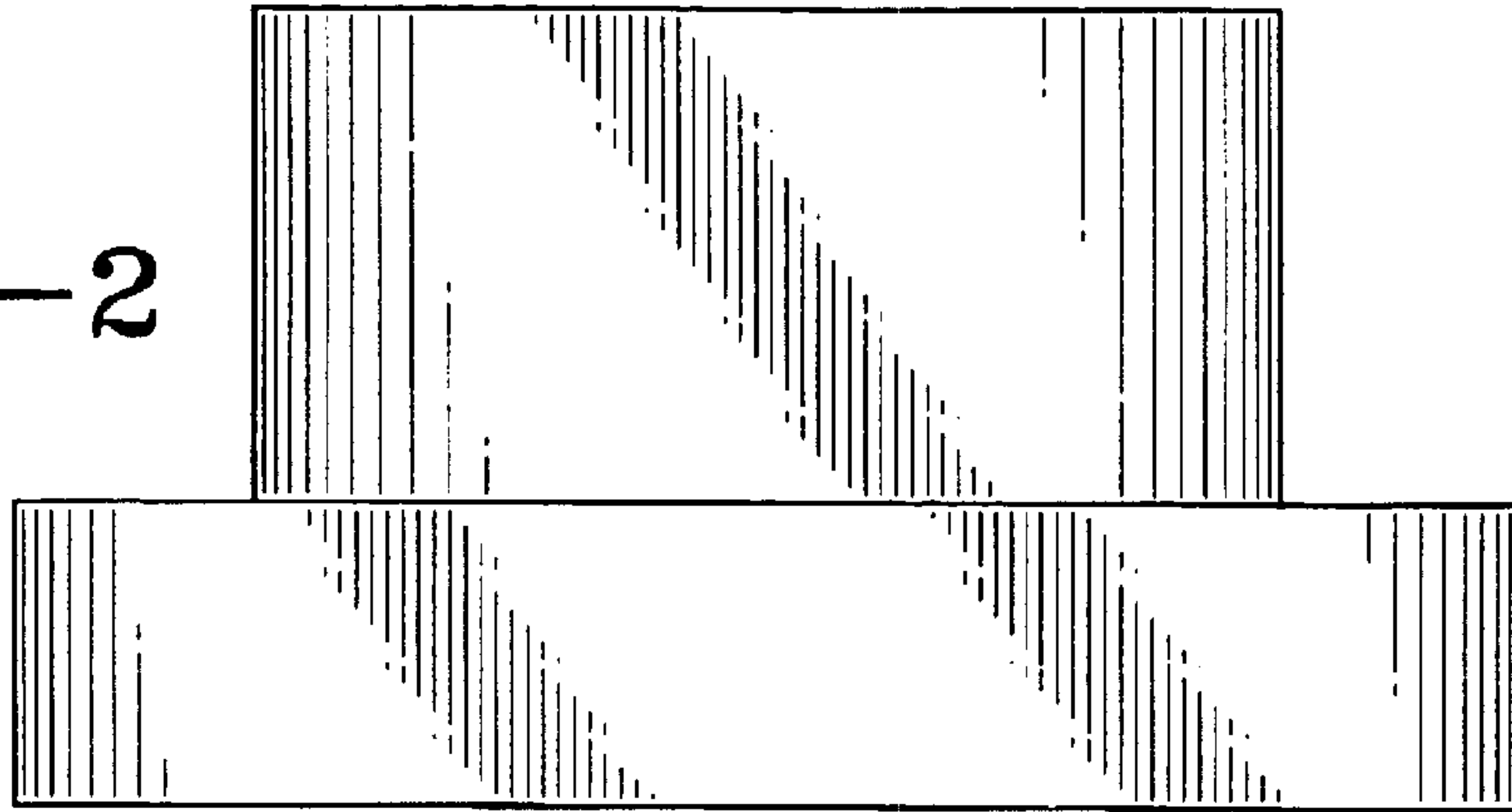


FIG-3

FIG-4

