

US00D503789S

(12) **United States Design Patent**
Wang

(10) **Patent No.:** **US D503,789 S**

(45) **Date of Patent:** **** Apr. 5, 2005**

(54) **INDUSTRIAL FAN**

D482,772 S * 11/2003 Dooley D23/383

(75) Inventor: **Cheng Hsing Wang**, Taipei (TW)

* cited by examiner

(73) Assignee: **Shih Li Machine & Hardware Co., Ltd.**, Taipei (TW)

Primary Examiner—Lisa Lichtenstein
(74) *Attorney, Agent, or Firm*—Troxell Law Office, PLLC

(**) Term: **14 Years**

(57) **CLAIM**

The ornamental design for an industrial fan, as shown and described.

(21) Appl. No.: **29/188,129**

(22) Filed: **Aug. 14, 2003**

DESCRIPTION

(51) **LOC (7) Cl.** **23-04**

FIG. 1 is a perspective view of an industrial fan illustrating my design.

(52) **U.S. Cl.** **D23/383**

FIG. 2 is a front side elevational view thereof;

(58) **Field of Search** D23/383, 370;

FIG. 3 is a rear side elevational view thereof;

417/234, 423.14, 423.8

FIG. 4 is a left side elevational view thereof;

FIG. 5 is a right side elevational view thereof;

FIG. 6 is a top plan view thereof; and,

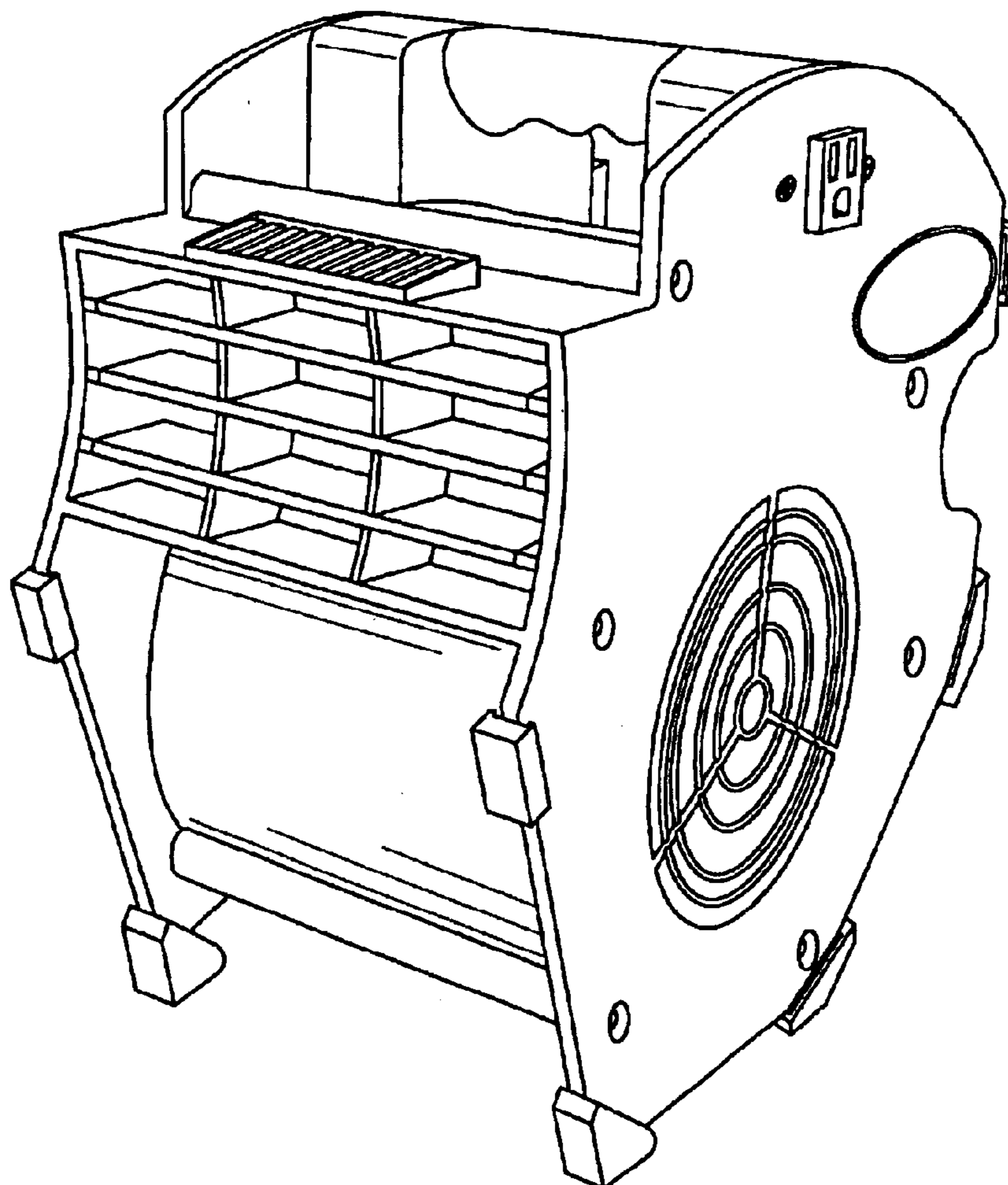
FIG. 7 is a bottom plan view thereof.

(56) **References Cited**

U.S. PATENT DOCUMENTS

- 4,424,006 A * 1/1984 Armbruster 417/234
- 4,483,664 A * 11/1984 Armbruster 417/234
- 4,954,049 A * 9/1990 Armbruster 417/234

1 Claim, 7 Drawing Sheets



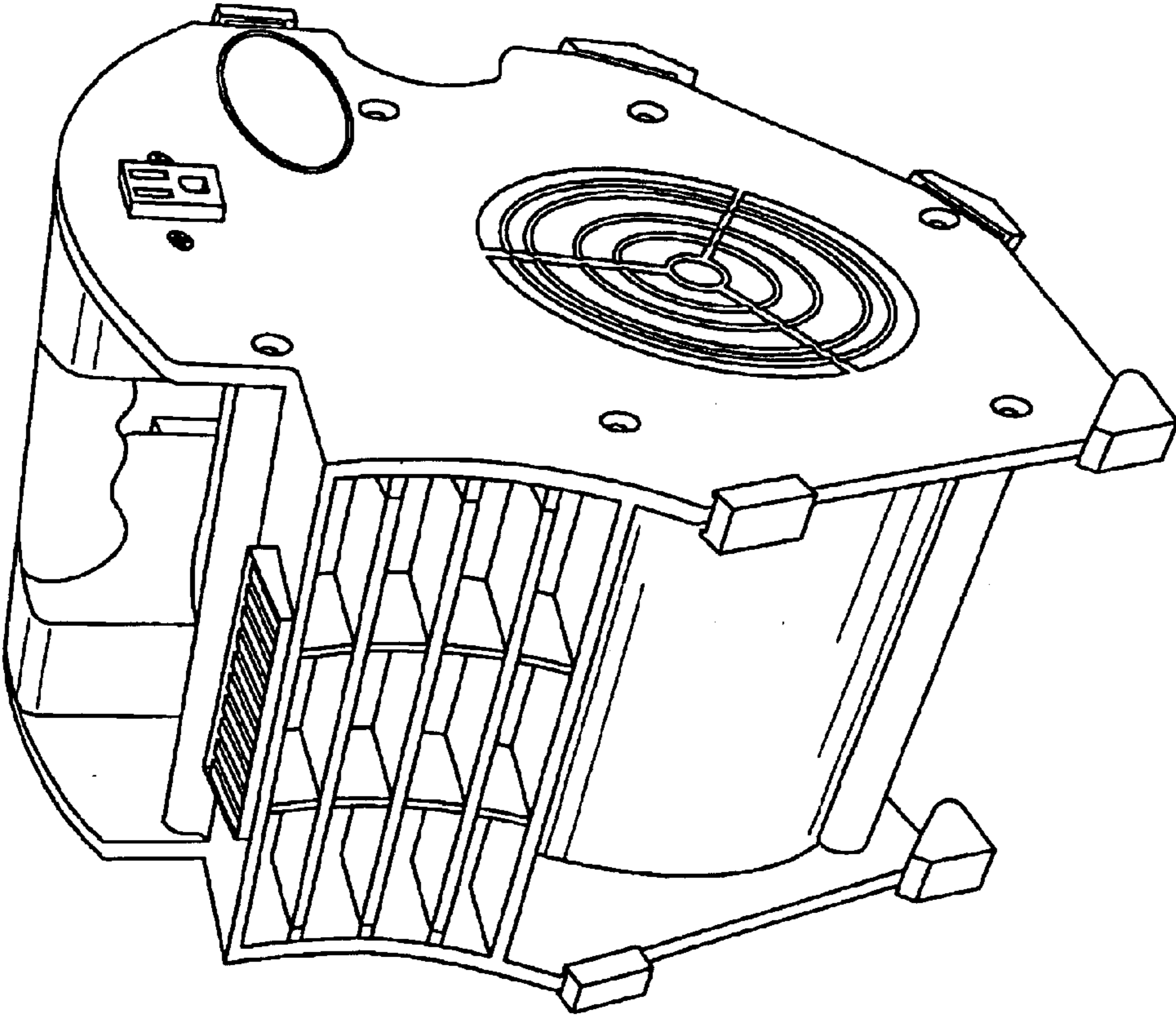


FIG. 1

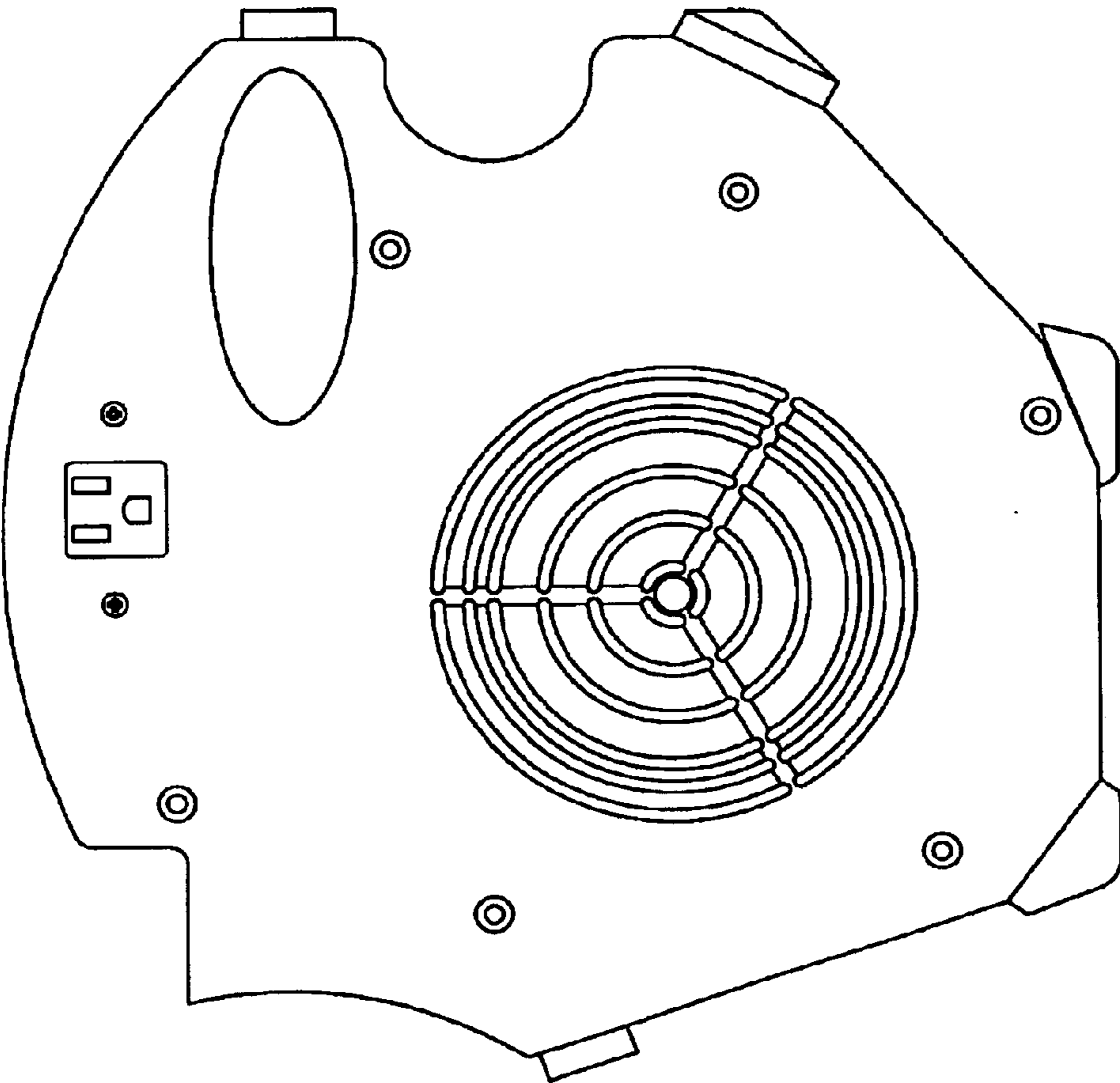


FIG. 2

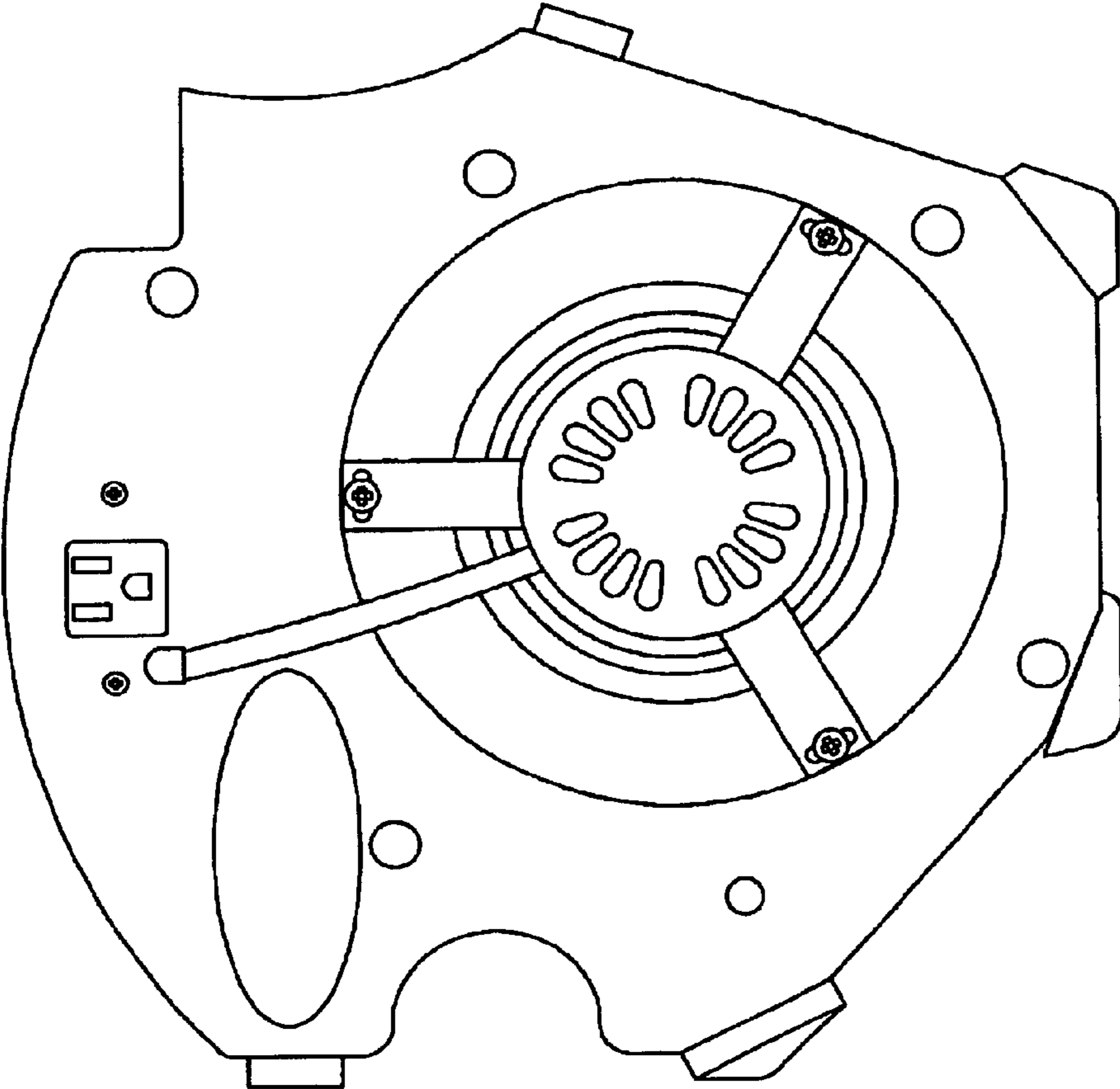


FIG. 3

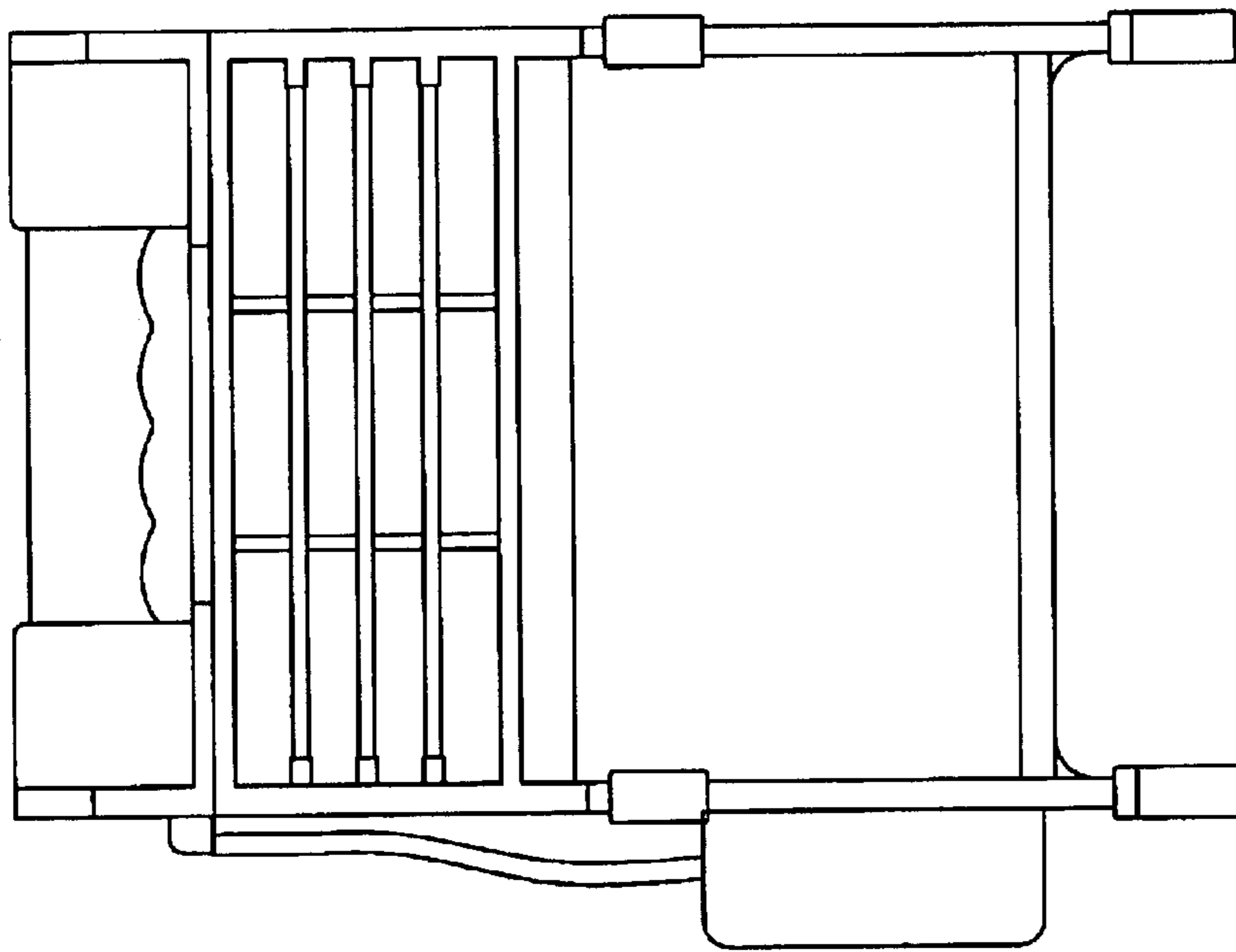


FIG. 4

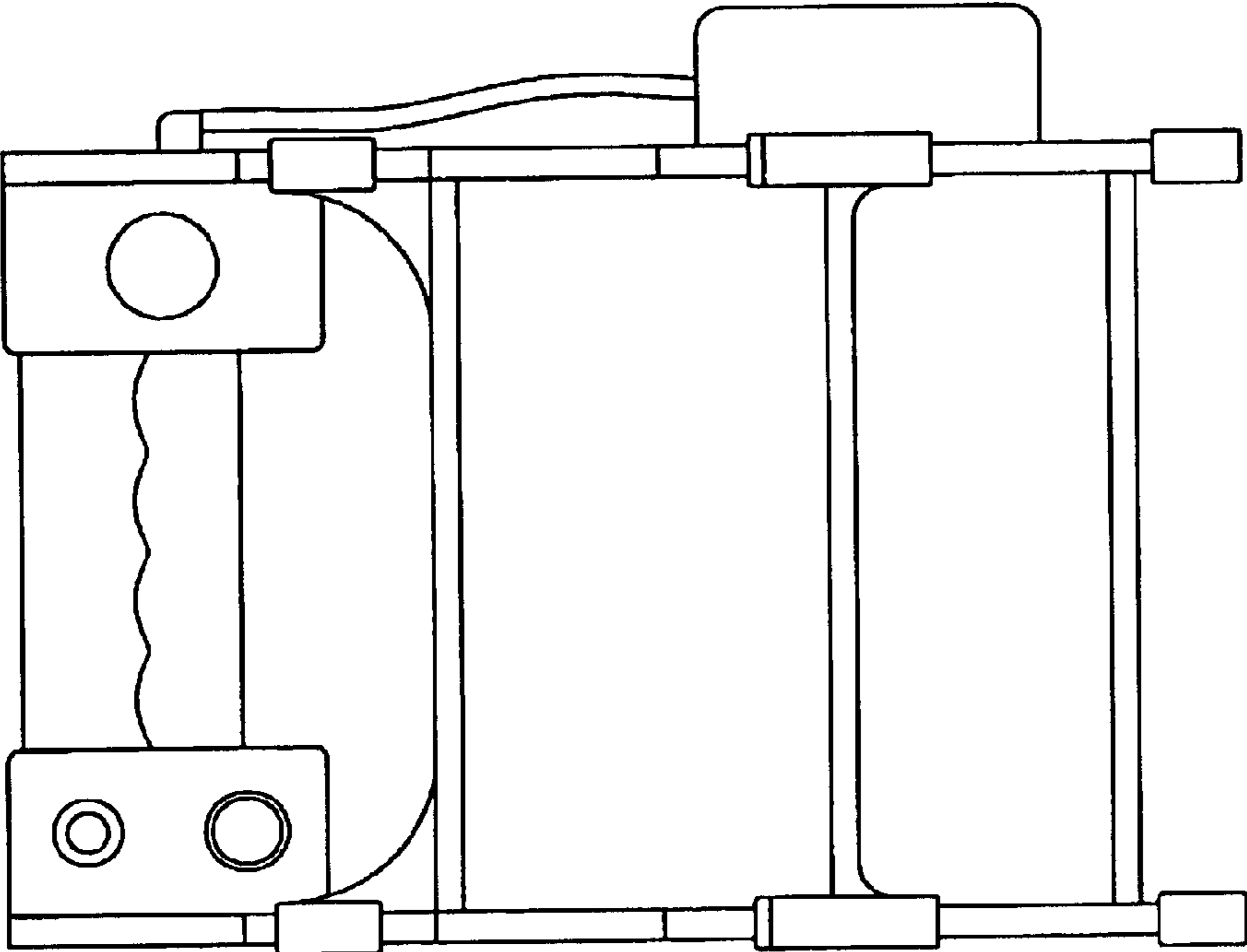


FIG. 5

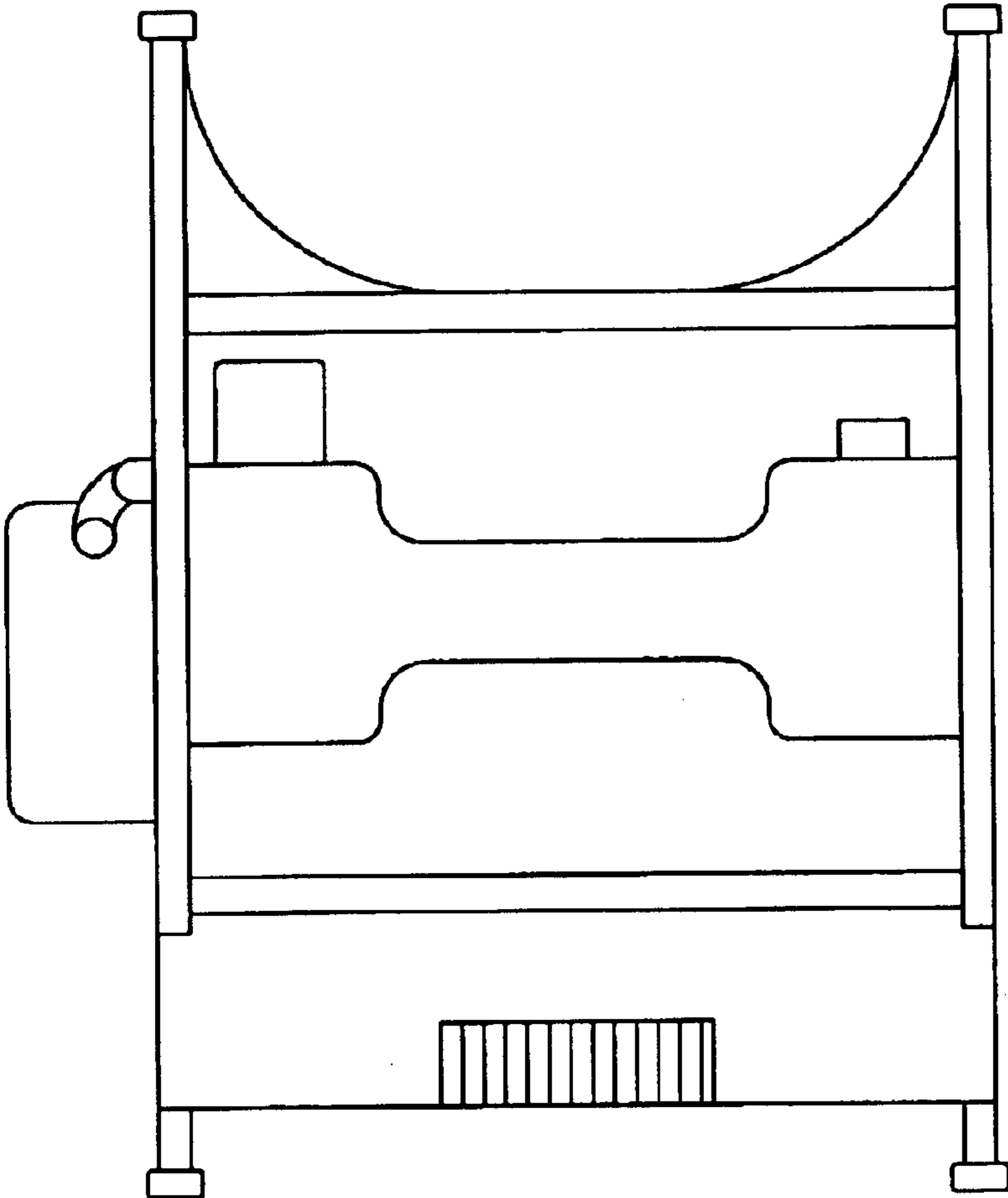


FIG. 6

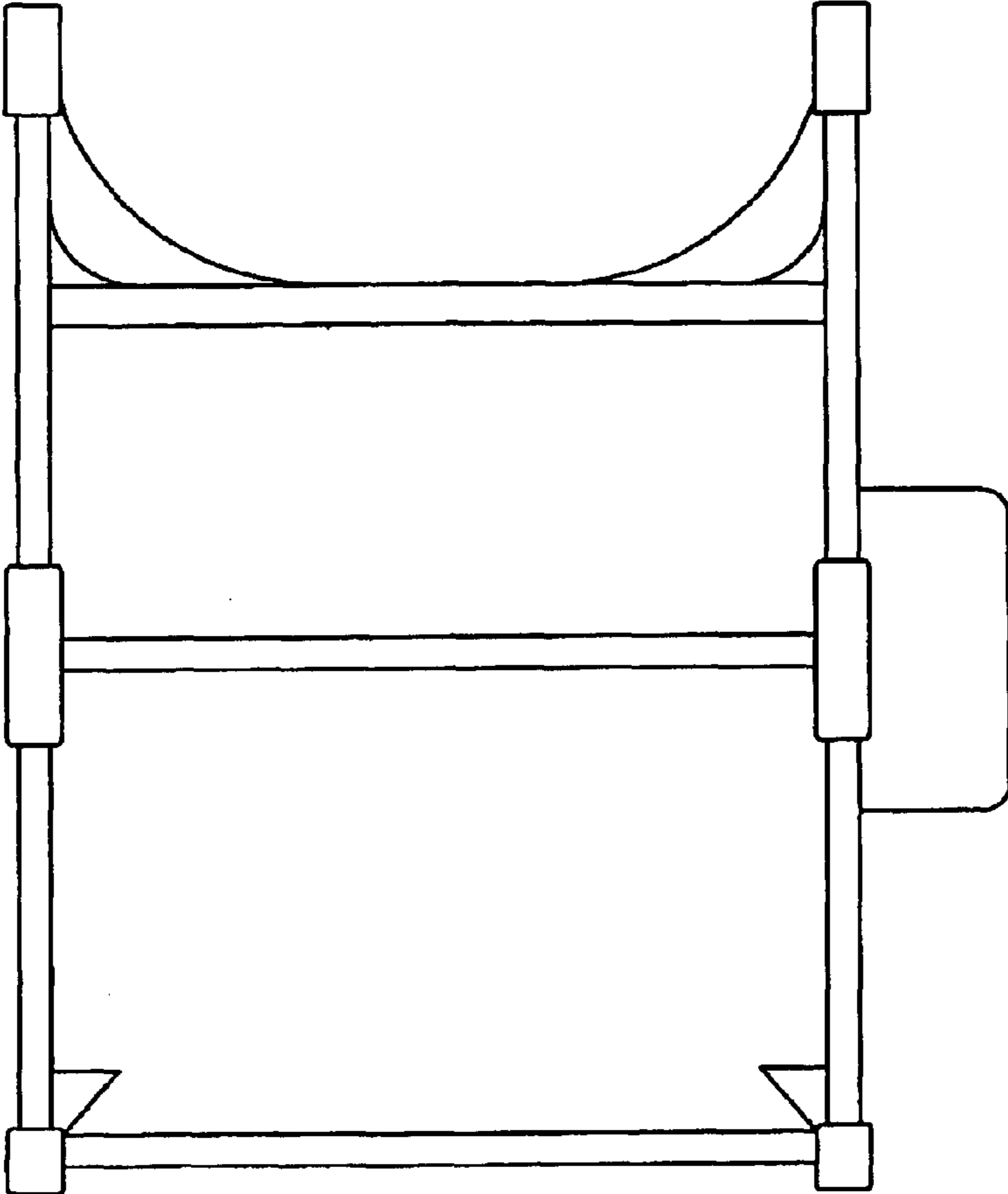


FIG. 7