

US00D503788S

(12) **United States Design Patent**
Wang et al.

(10) **Patent No.:** **US D503,788 S**
(45) **Date of Patent:** **** Apr. 5, 2005**

(54) **BLOWER**

D482,772 S * 11/2003 Dooley D23/383

(76) Inventors: **Hua-Chiang Wang**, No. 2342, Sloan Dr., La Verne, CA (US) 91750;
Hsin-Yen Lin, No. 11, Chuang Jou Road, Houli Hsiang, Taichung Hsien (TW)

* cited by examiner

Primary Examiner—Lisa Lichtenstein
(74) *Attorney, Agent, or Firm*—Rosenberg, Klein & Lee

(**) **Term:** **14 Years**

(57) **CLAIM**

The ornamental design for a blower, as shown and described.

(21) **Appl. No.:** **29/187,738**

DESCRIPTION

(22) **Filed:** **Aug. 7, 2003**

(51) **LOC (7) Cl.** **23-04**

(52) **U.S. Cl.** **D23/383**

(58) **Field of Search** D23/383, 370;
415/204, 206, 213.1, 214.1

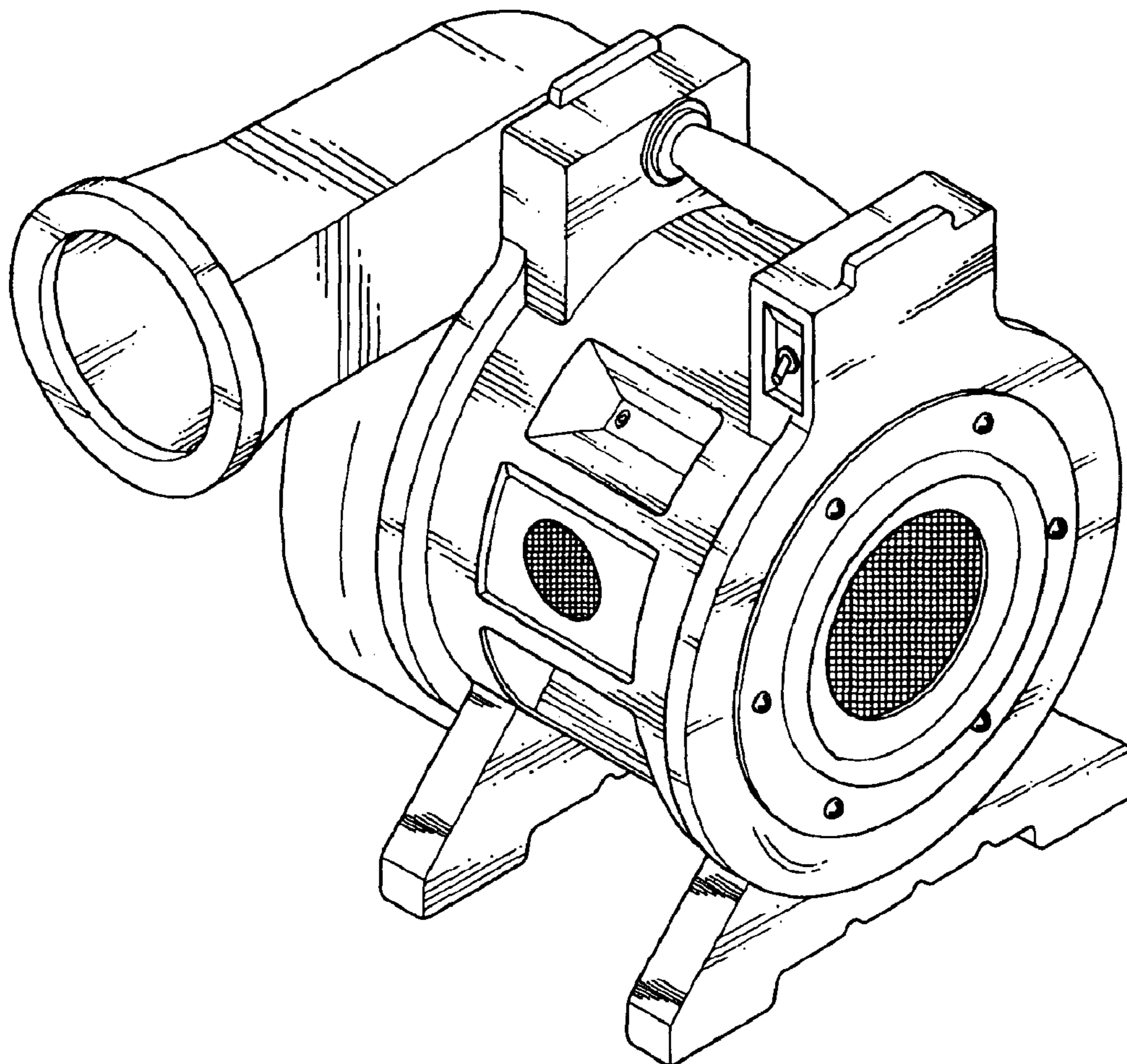
FIG. 1 is a front-right-top perspective view of an blower showing my new design;
FIG. 2 is a front elevational view thereof;
FIG. 3 is a right elevational view thereof;
FIG. 4 is a top plan view thereof;
FIG. 5 is a bottom plan view thereof;
FIG. 6 is a left elevational view thereof; and,
FIG. 7 is a rear elevational view thereof.

(56) **References Cited**

U.S. PATENT DOCUMENTS

D481,116 S * 10/2003 Wang et al. D23/383

1 Claim, 4 Drawing Sheets



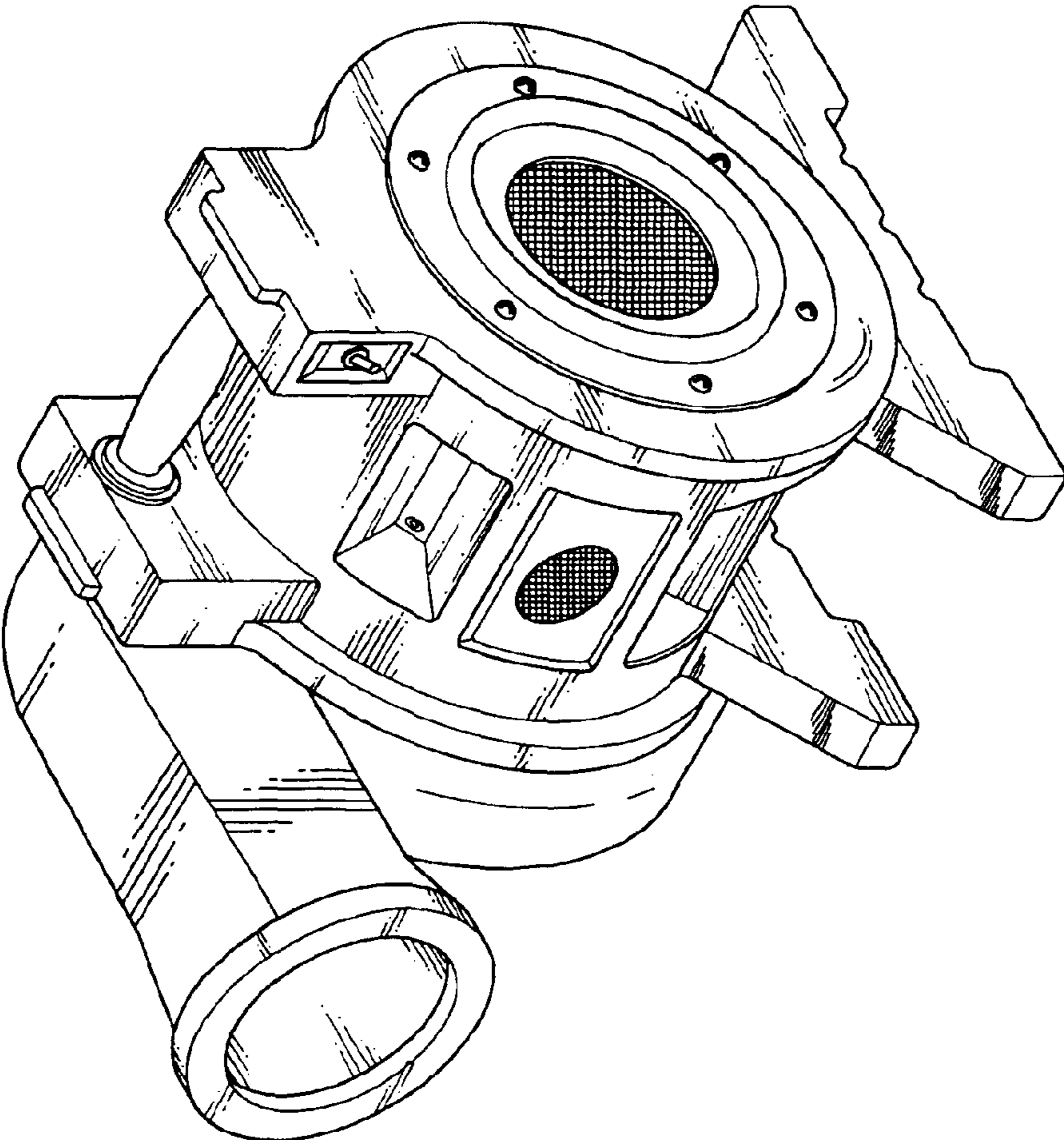


FIG. 1

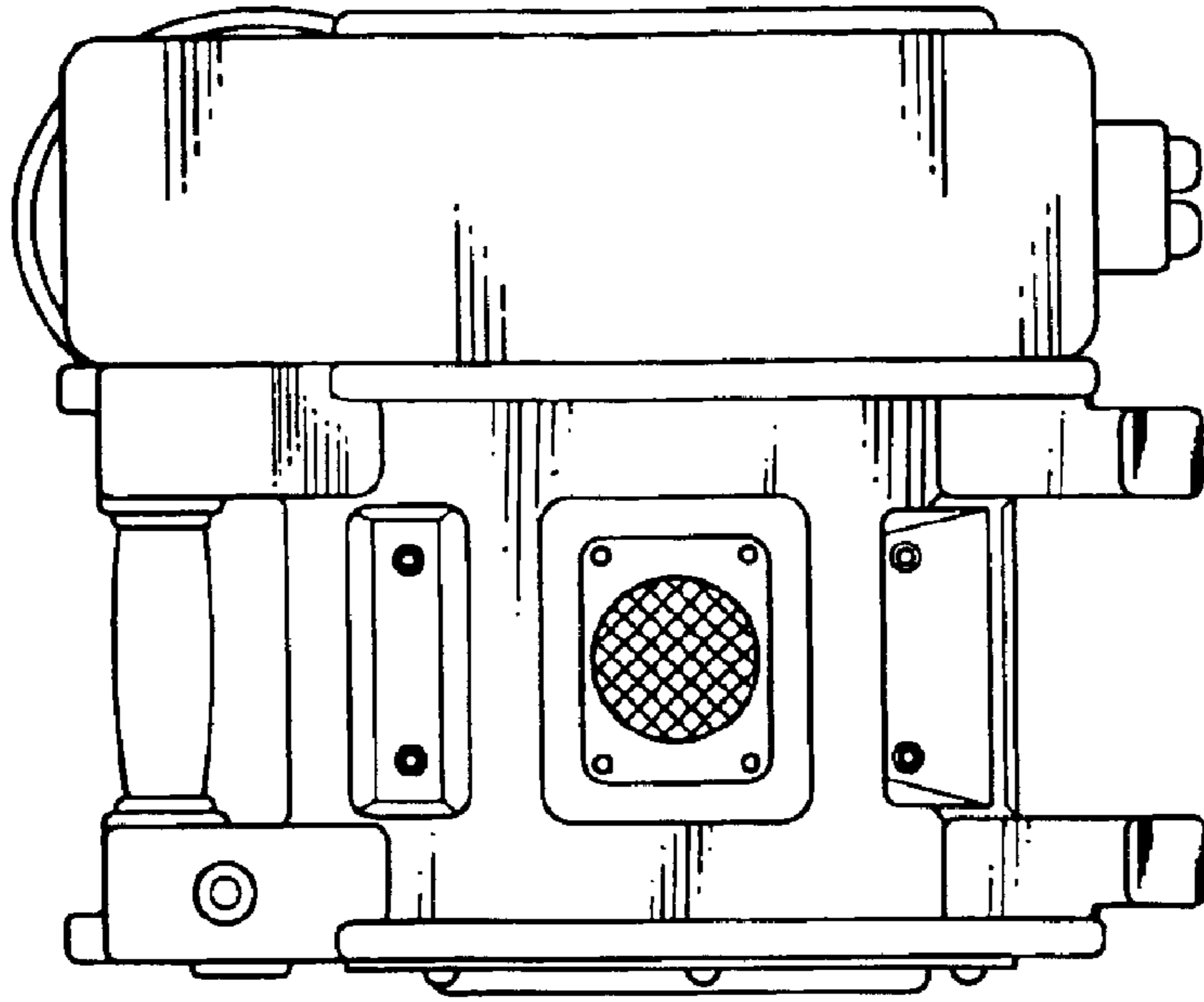


FIG. 7

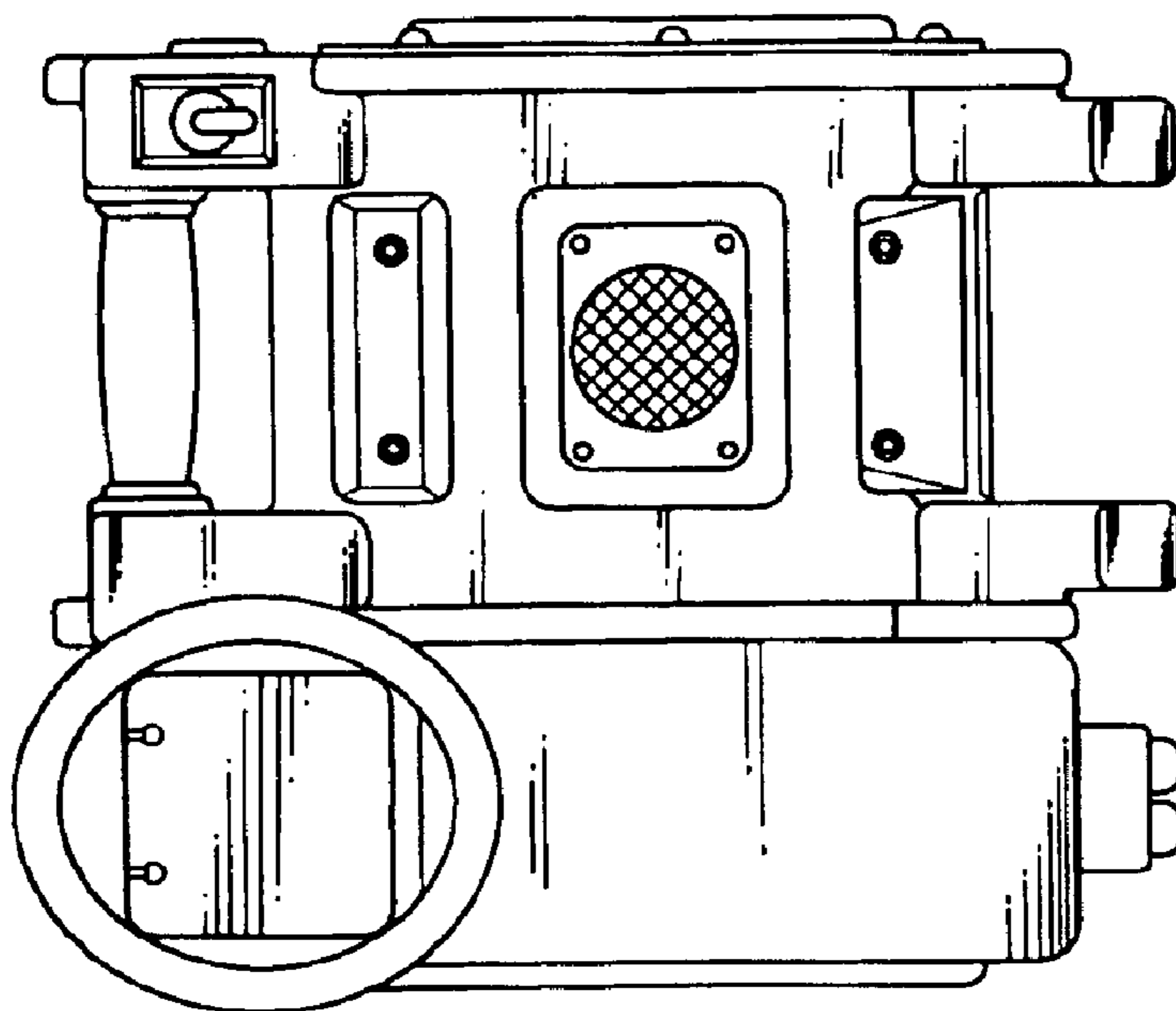


FIG. 2

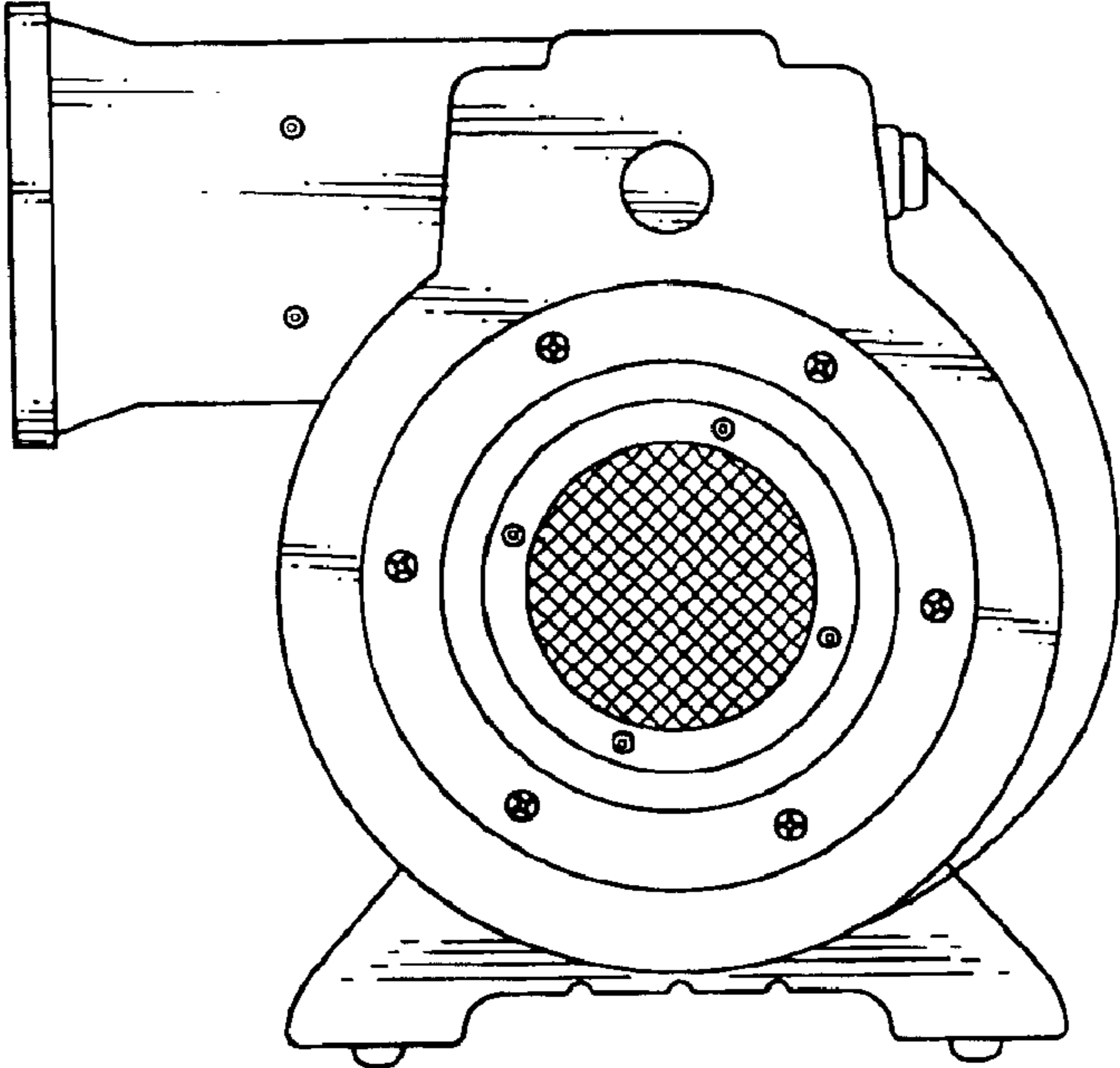


FIG. 3

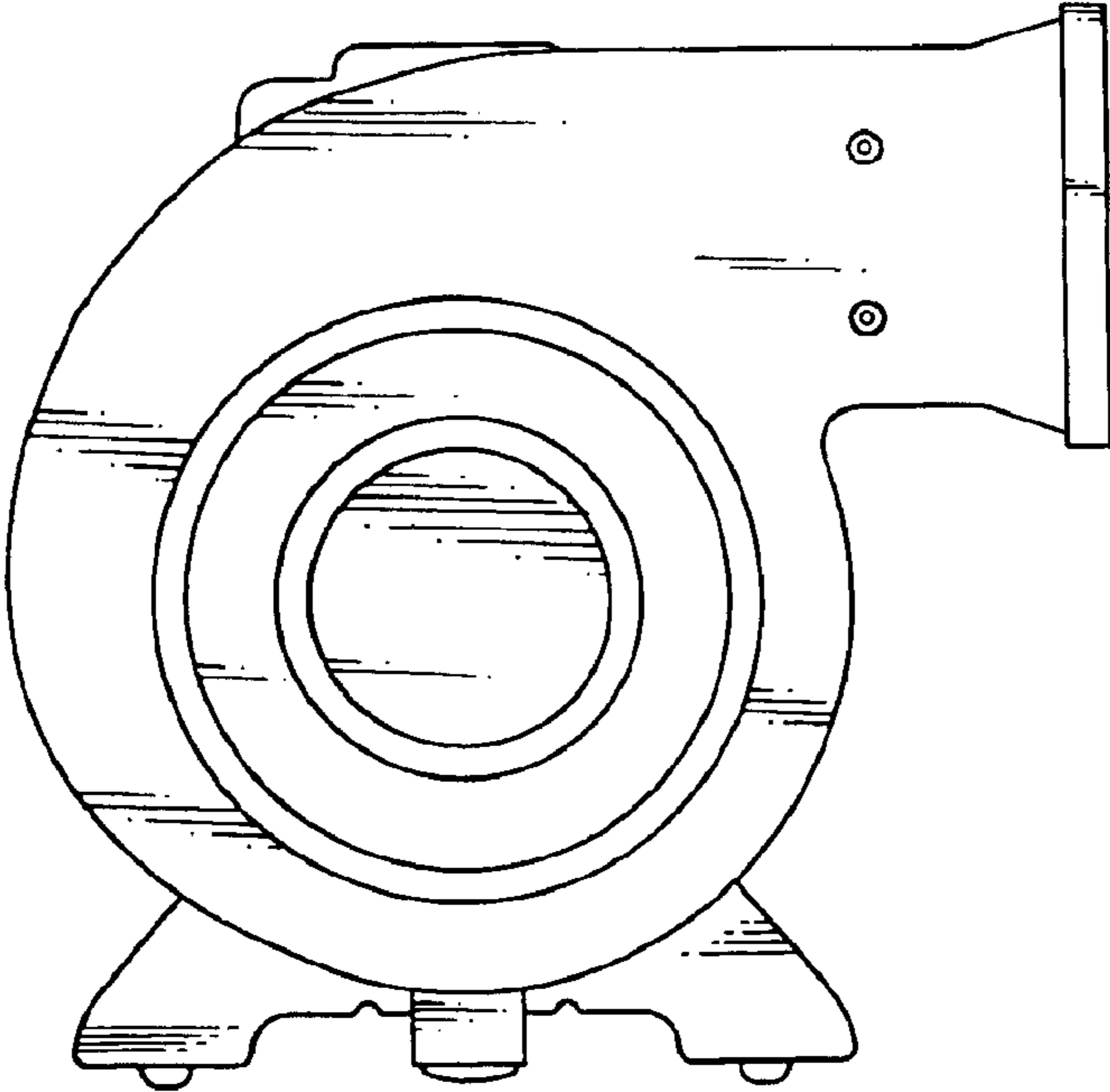


FIG. 6

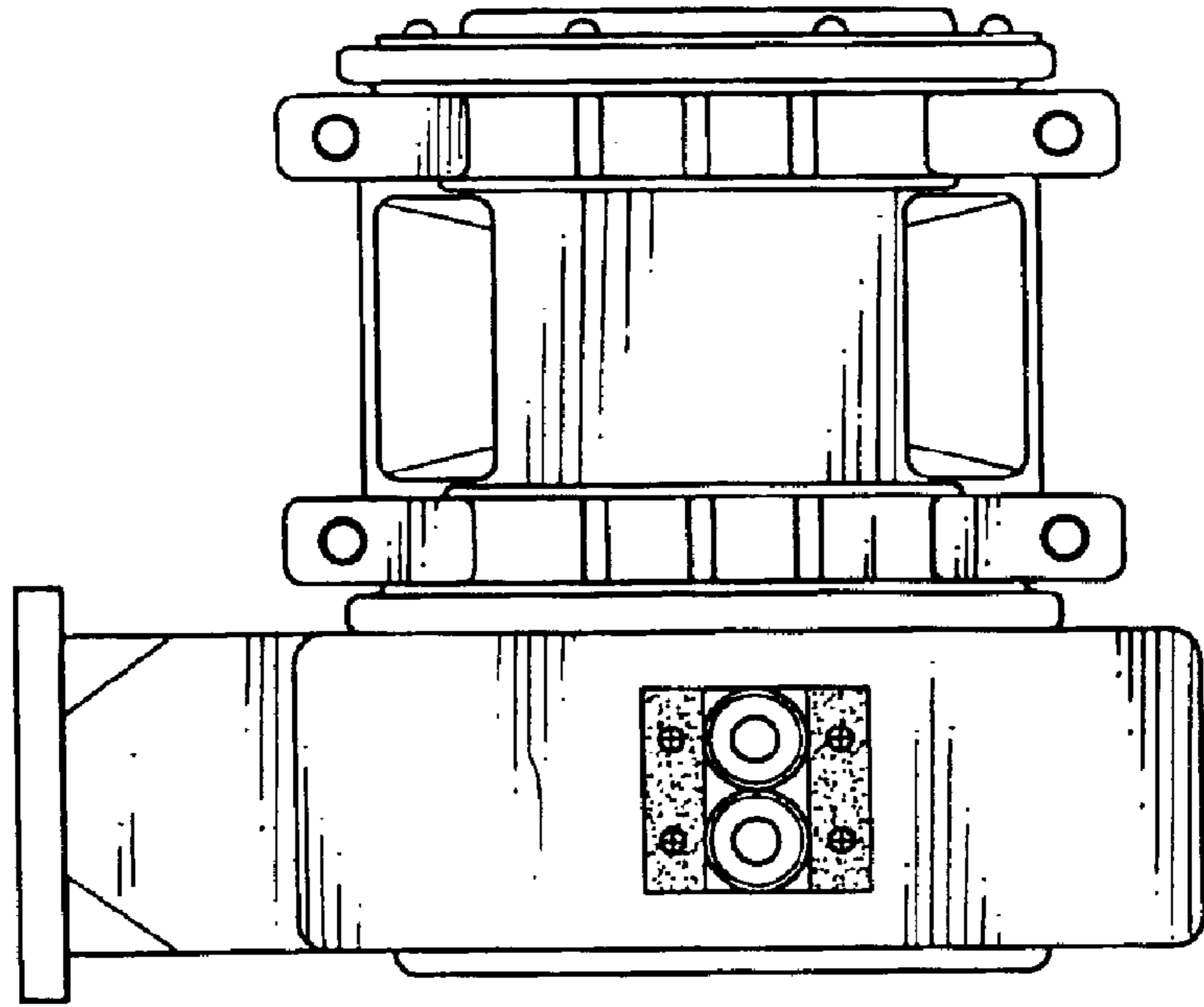


FIG. 5

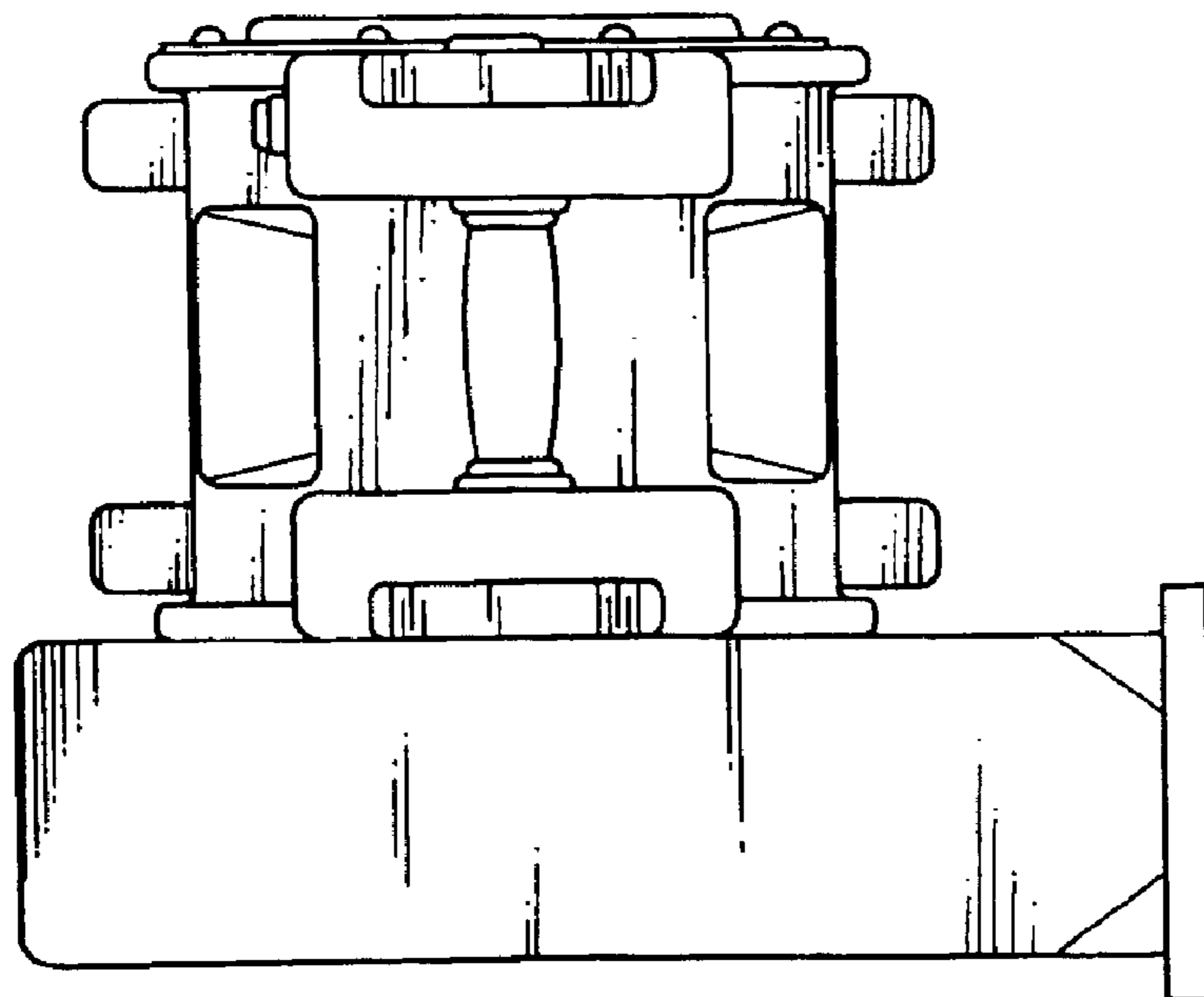


FIG. 4