

US00D503786S

(12) **United States Design Patent**
Otaki

(10) **Patent No.:** **US D503,786 S**

(45) **Date of Patent:** **** Apr. 5, 2005**

(54) **AIR DRYER**

(75) **Inventor:** **Satoshi Otaki**, Tsukuba (JP)

(73) **Assignee:** **SMC Kabushiki Kaisha**, Tokyo (JP)

(**) **Term:** **14 Years**

(21) **Appl. No.:** **29/198,532**

(22) **Filed:** **Jan. 29, 2004**

(30) **Foreign Application Priority Data**

Jul. 30, 2003 (JP) 2003-022005

(51) **LOC (7) Cl.** **23-04**

(52) **U.S. Cl.** **D23/355**; D15/79

(58) **Field of Search** D23/355, 364,
D23/365, 359; 55/338, 472; 95/90, 288;
96/108

(56) **References Cited**

U.S. PATENT DOCUMENTS

D258,686 S	*	3/1981	Johnson	D23/364
5,443,624 A	*	8/1995	Claesson	95/113
D395,703 S	*	6/1998	Jane et al.	D23/364
D416,614 S	*	11/1999	Bellil et al.	D23/364
D440,644 S	*	4/2001	Potnis et al.	D23/359

OTHER PUBLICATIONS

U.S. Appl. No. 29/198,544, filed Jan. 29, 2004, Inventor: Satoshi Otaki; entitled: Air Dryer.

U.S. Appl. No. 29/198,520, filed Jan. 29, 2004, Inventor: Satoshi Otaki; entitled: Air Dryer.

* cited by examiner

Primary Examiner—Robin V. Taylor

(74) *Attorney, Agent, or Firm*—Frishauf, Holtz, Goodman & Chick, P.C.

(57) **CLAIM**

The ornamental design for a air dryer, as shown.

DESCRIPTION

FIG. 1 is a top, front and right-side perspective view of a air dryer showing my new design;

FIG. 2 is a front view thereof;

FIG. 3 is a rear view thereof;

FIG. 4 is a left side view thereof;

FIG. 5 is a right side view thereof;

FIG. 6 is a top plan view thereof; and,

FIG. 7 is a bottom plan view thereof.

1 Claim, 7 Drawing Sheets

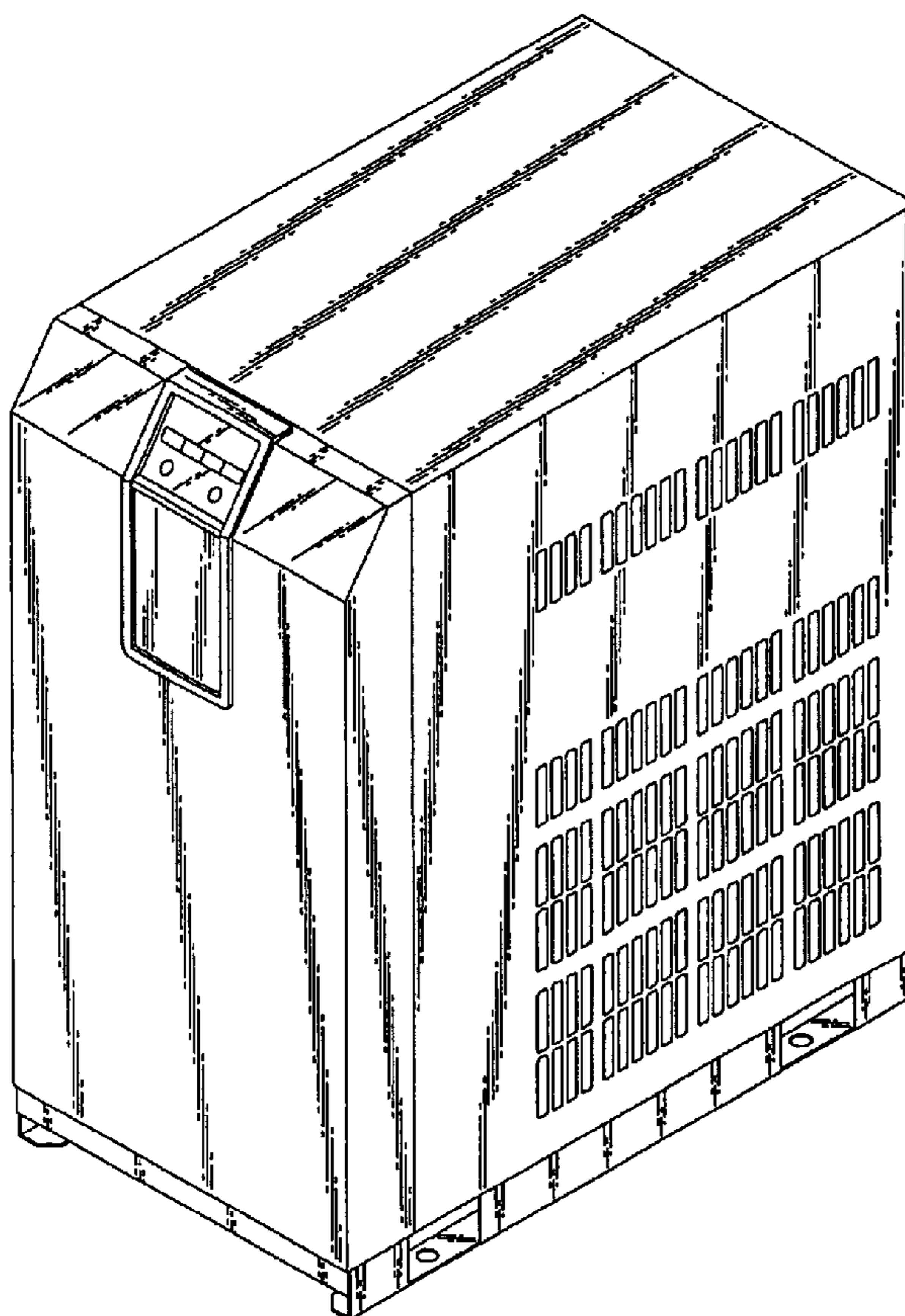


FIG. 1

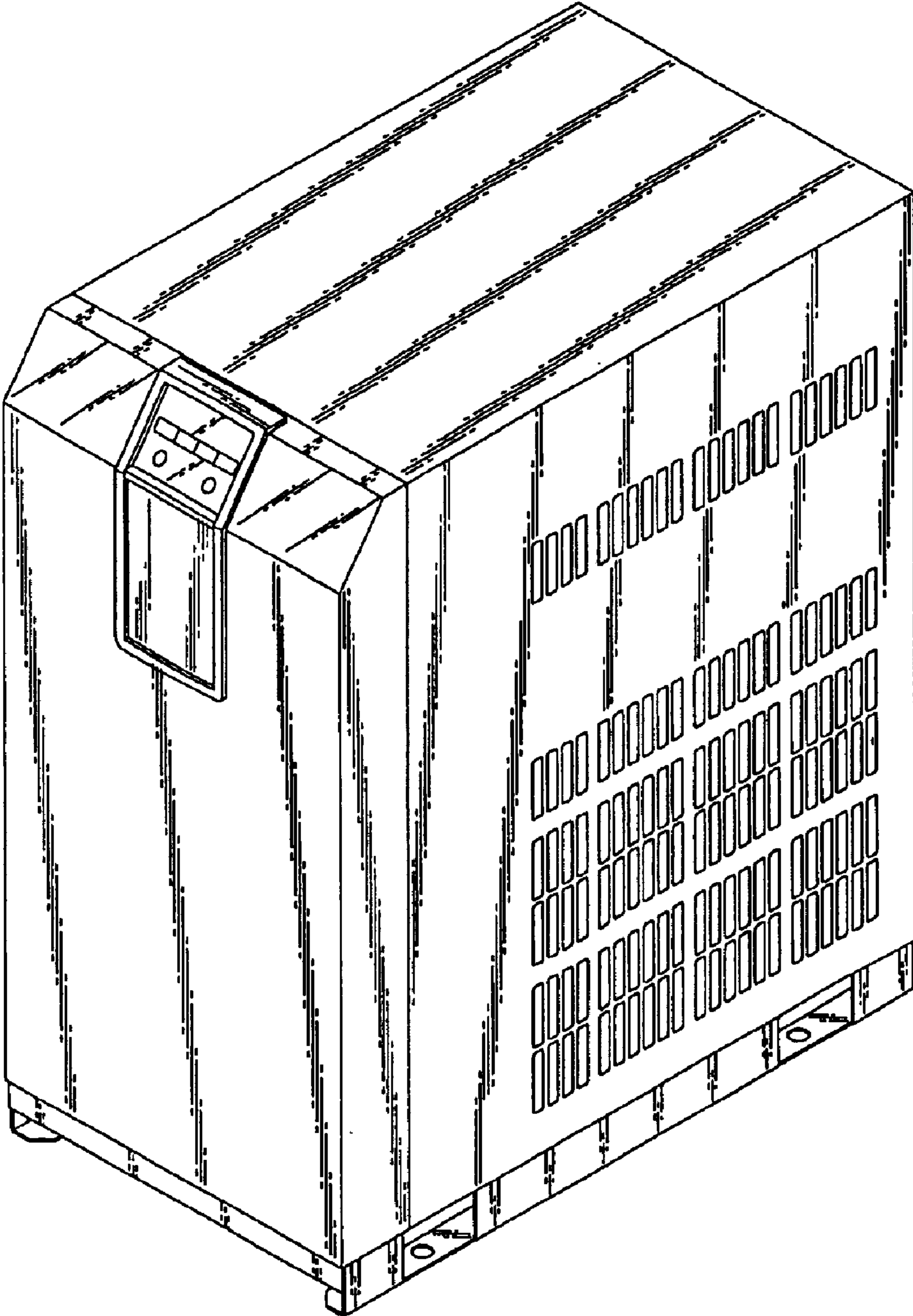


FIG. 2

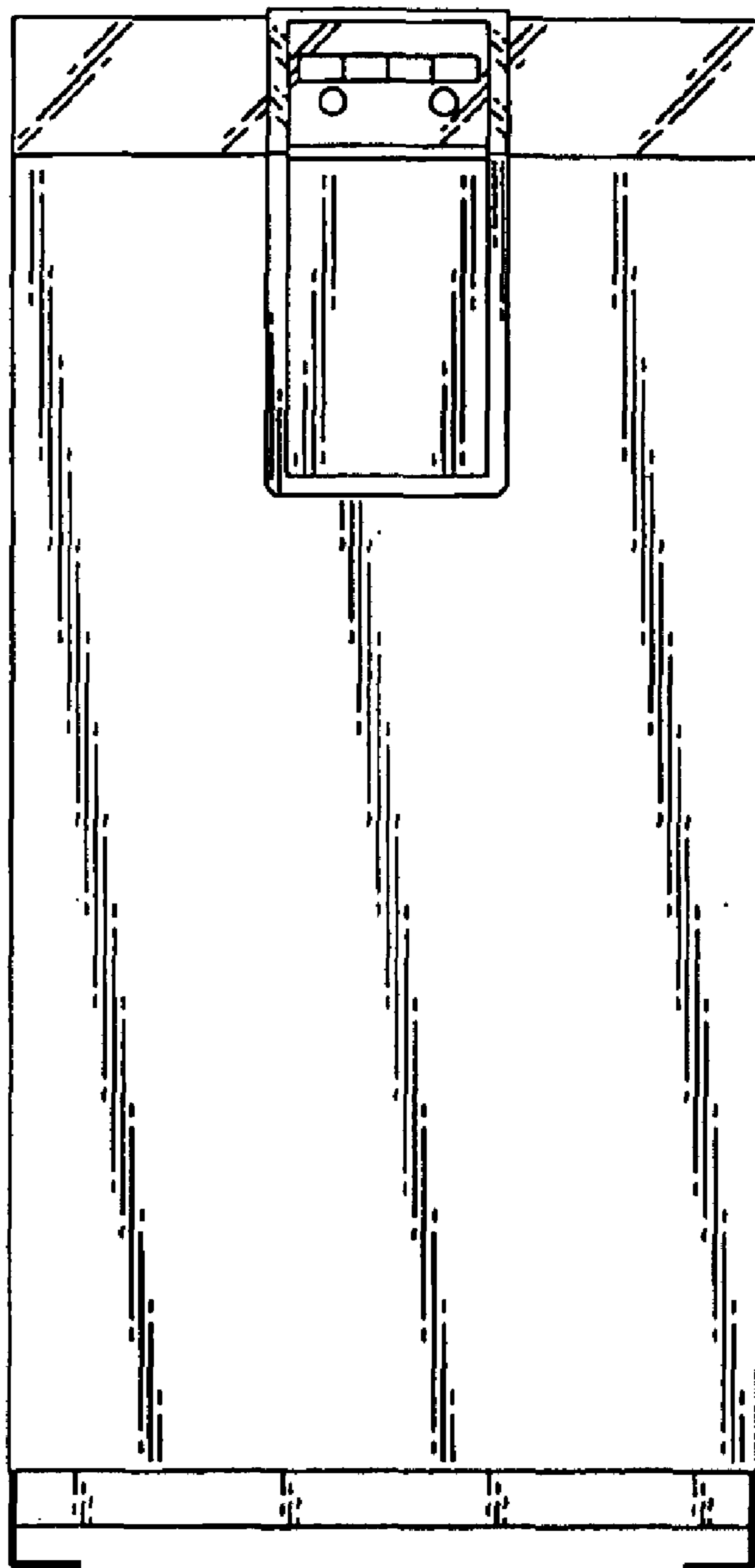


FIG. 3

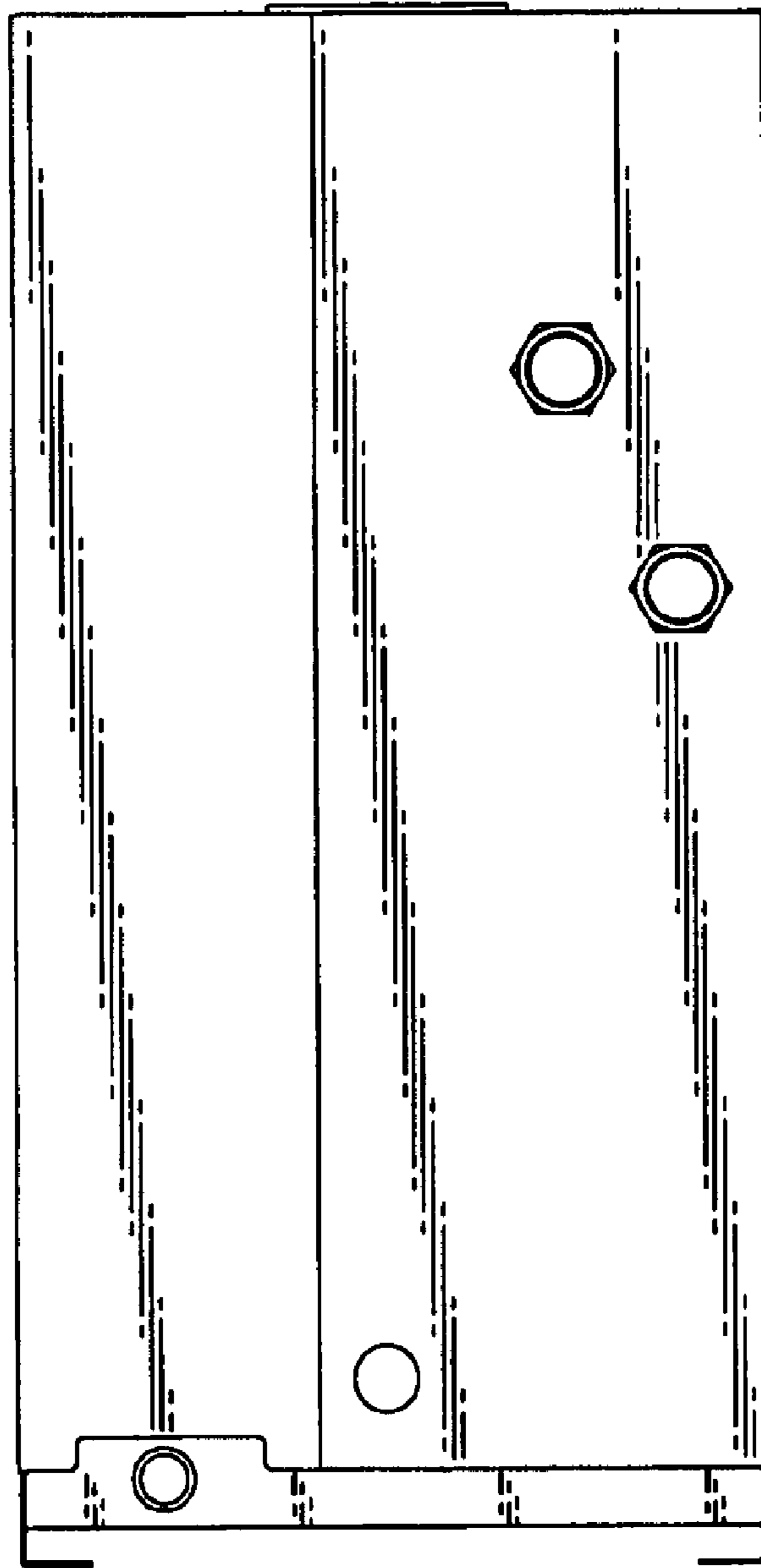


FIG. 4

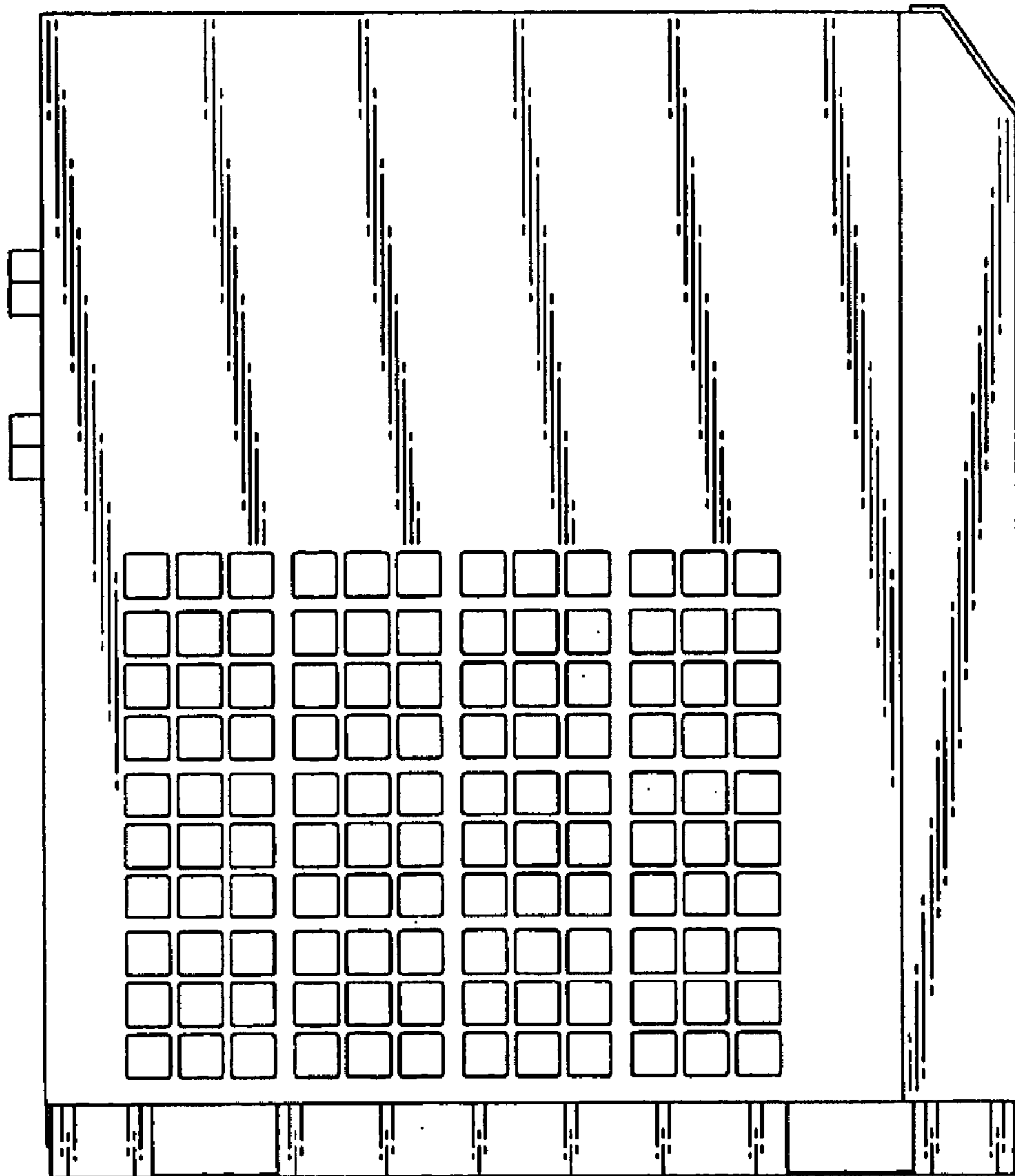


FIG. 5

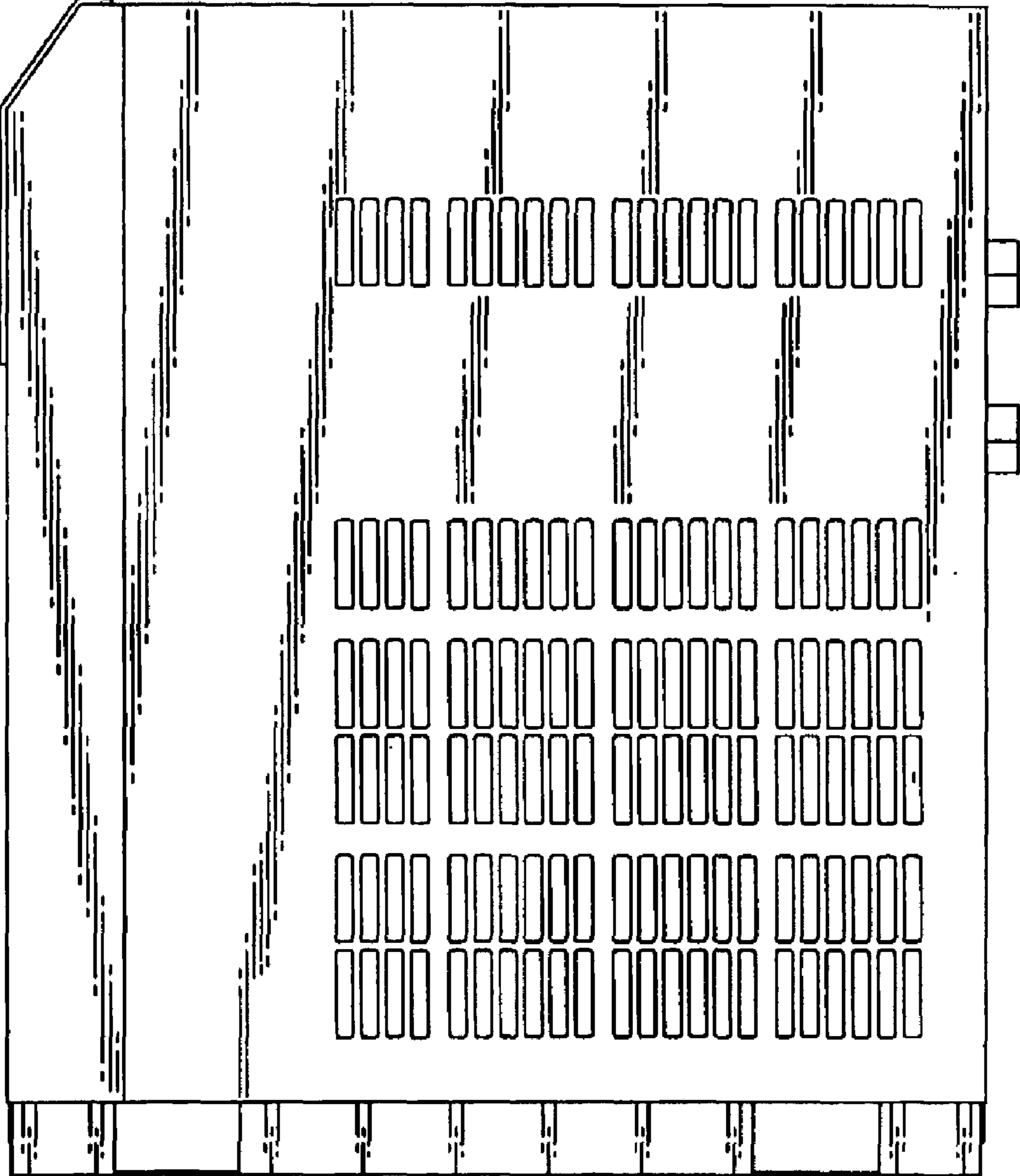


FIG. 6

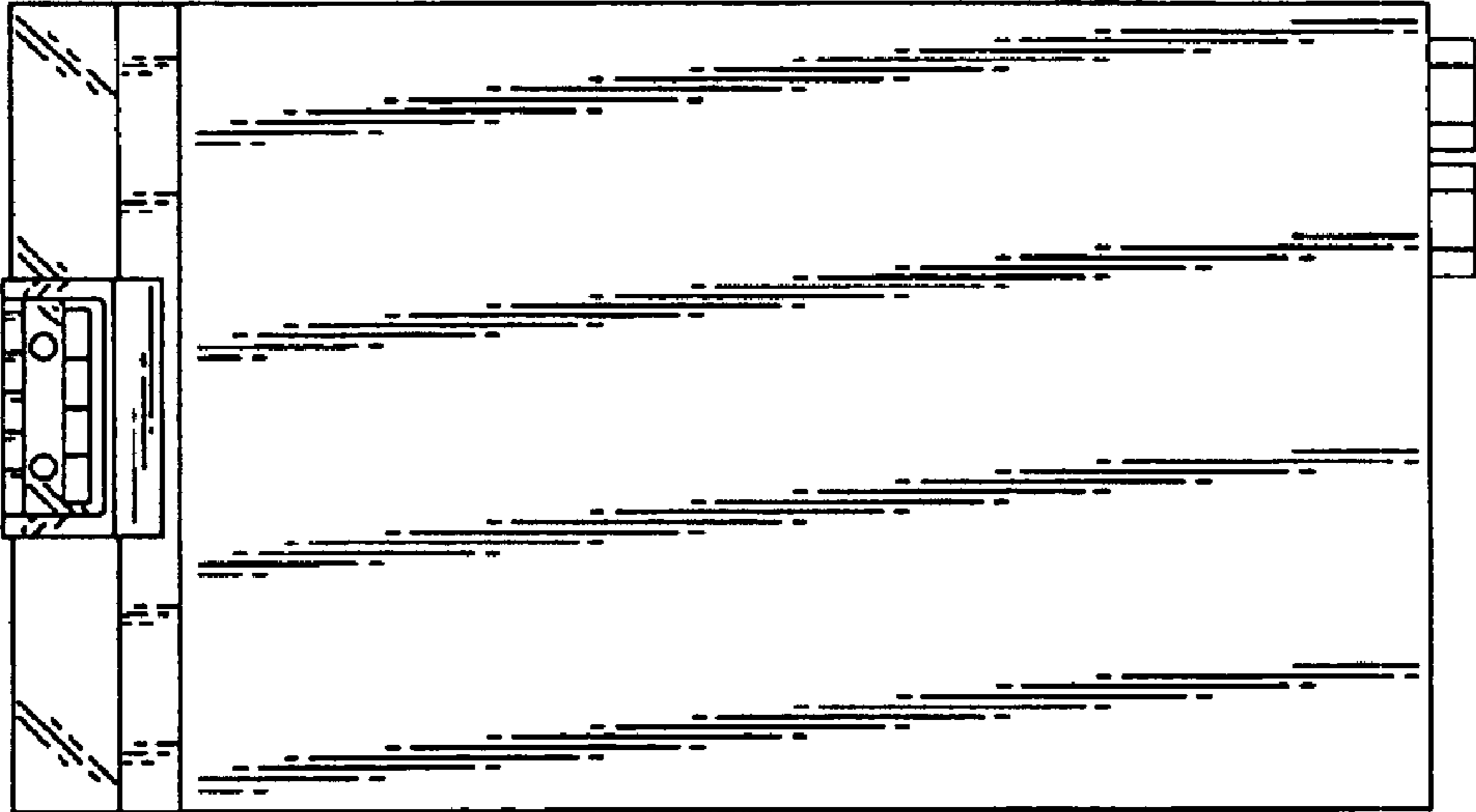


FIG. 7

