

US00D503782S

(12) **United States Design Patent**
You

(10) **Patent No.:** **US D503,782 S**
(45) **Date of Patent:** **** Apr. 5, 2005**

(54) **WINDOW-INSTALLED TYPE AIR-CONDITIONER**

(75) Inventor: **Ki Jung You**, Kyunggi-do (KR)
(73) Assignee: **LG Electronics Inc.**, Seoul (KR)
(**) Term: **14 Years**

(21) Appl. No.: **29/198,743**
(22) Filed: **Feb. 5, 2004**

(30) **Foreign Application Priority Data**

Aug. 6, 2003 (KR) 30-2003-0022277

(51) **LOC (7) Cl.** **23-04**
(52) **U.S. Cl.** **D23/351**
(58) **Field of Search** D23/351-354,
D23/333; 62/259.1, 259.4, 262-263, 304,
324.1, DIG. 16; 312/236; 454/201-204

(56) **References Cited**

U.S. PATENT DOCUMENTS

D243,186 S * 1/1977 Bruner et al. D23/353
D293,713 S * 1/1988 Morita et al. D23/353
4,733,543 A * 3/1988 Blair 62/263
D321,248 S * 10/1991 Wilgus et al. D23/351
D454,188 S * 3/2002 Nonaka D23/351
D455,825 S * 4/2002 Moretti et al. D23/354
D456,068 S * 4/2002 Oya et al. D23/353
D465,016 S * 10/2002 Nanjo et al. D23/351

D487,142 S * 2/2004 Yoo D23/351

* cited by examiner

Primary Examiner—Brian N Vinson

(74) *Attorney, Agent, or Firm*—Birch, Stewart, Kolasch & Birch, LLP

(57) **CLAIM**

The ornamental design for window-installed type air-conditioner, as shown and described.

DESCRIPTION

FIG. 1 is a top, front, and right side perspective view of a window-installed type air-conditioner showing my new design;

FIG. 2 is a front elevational view thereof;

FIG. 3 is a rear elevational view thereof;

FIG. 4 is a left side elevational view thereof where the right side is a mirror image of that shown;

FIG. 5 is a top plan view thereof;

FIG. 6 is a bottom plan view thereof;

FIG. 7 is an additional left side elevational view thereof, with the broken-line disclosure of a portion of a wall being for illustrative purposes only and forming no part of the claimed design; and,

FIG. 8 is an additional front elevational view thereof, with the broken-line disclosure of a portion of a wall being for illustrative purposes only and forming no part of the claimed design.

1 Claim, 6 Drawing Sheets

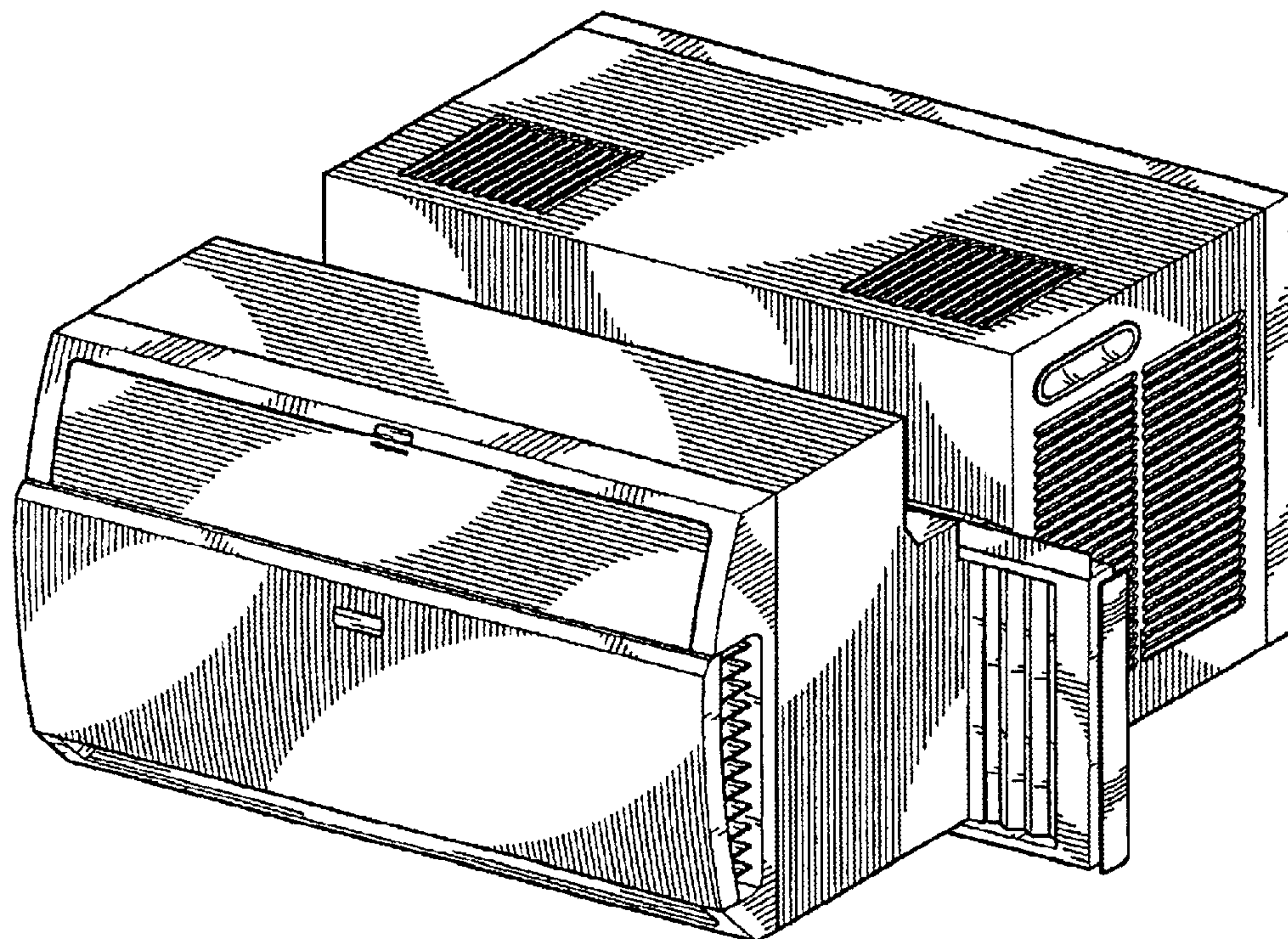


FIG. 1

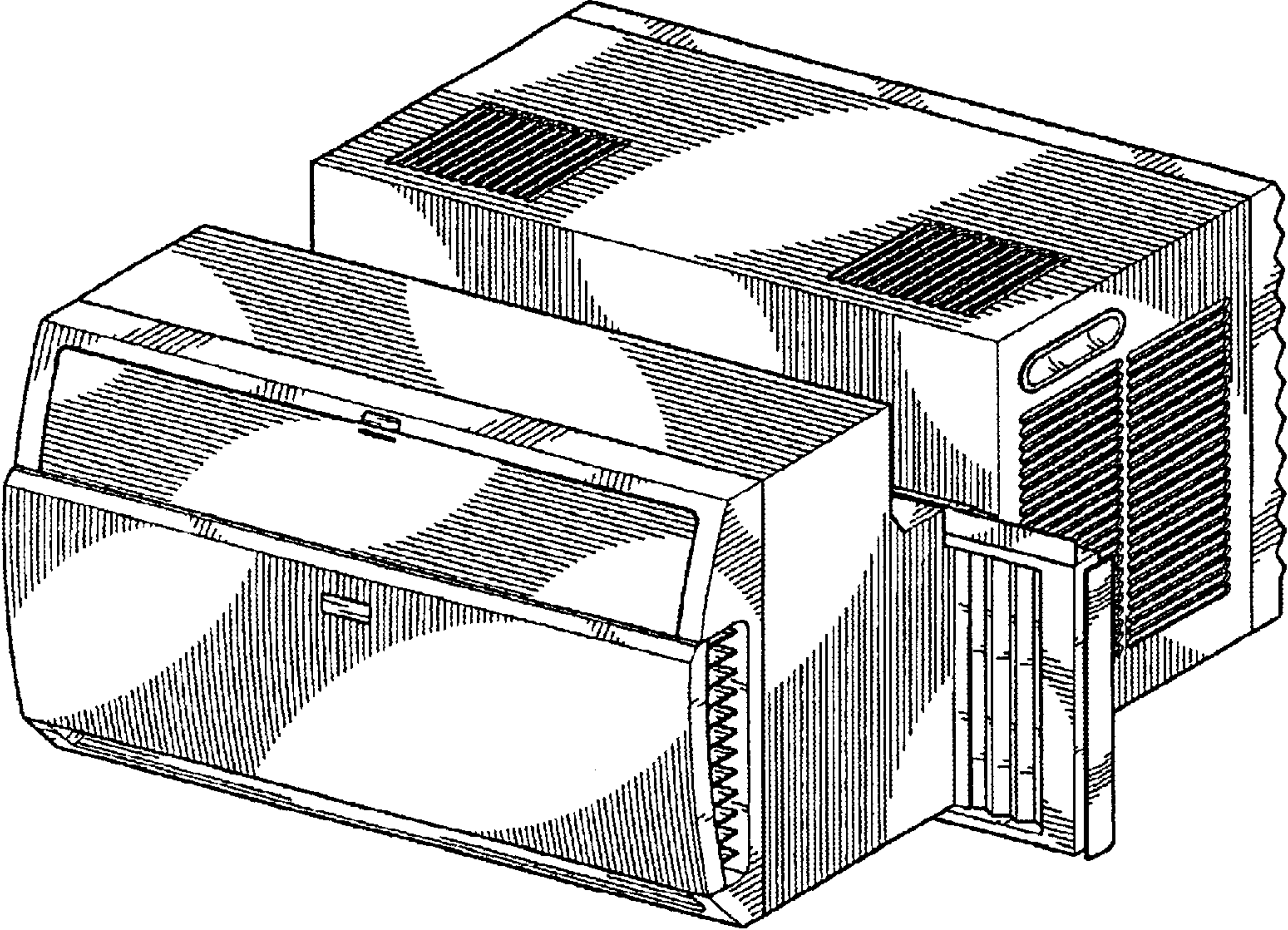


FIG. 2

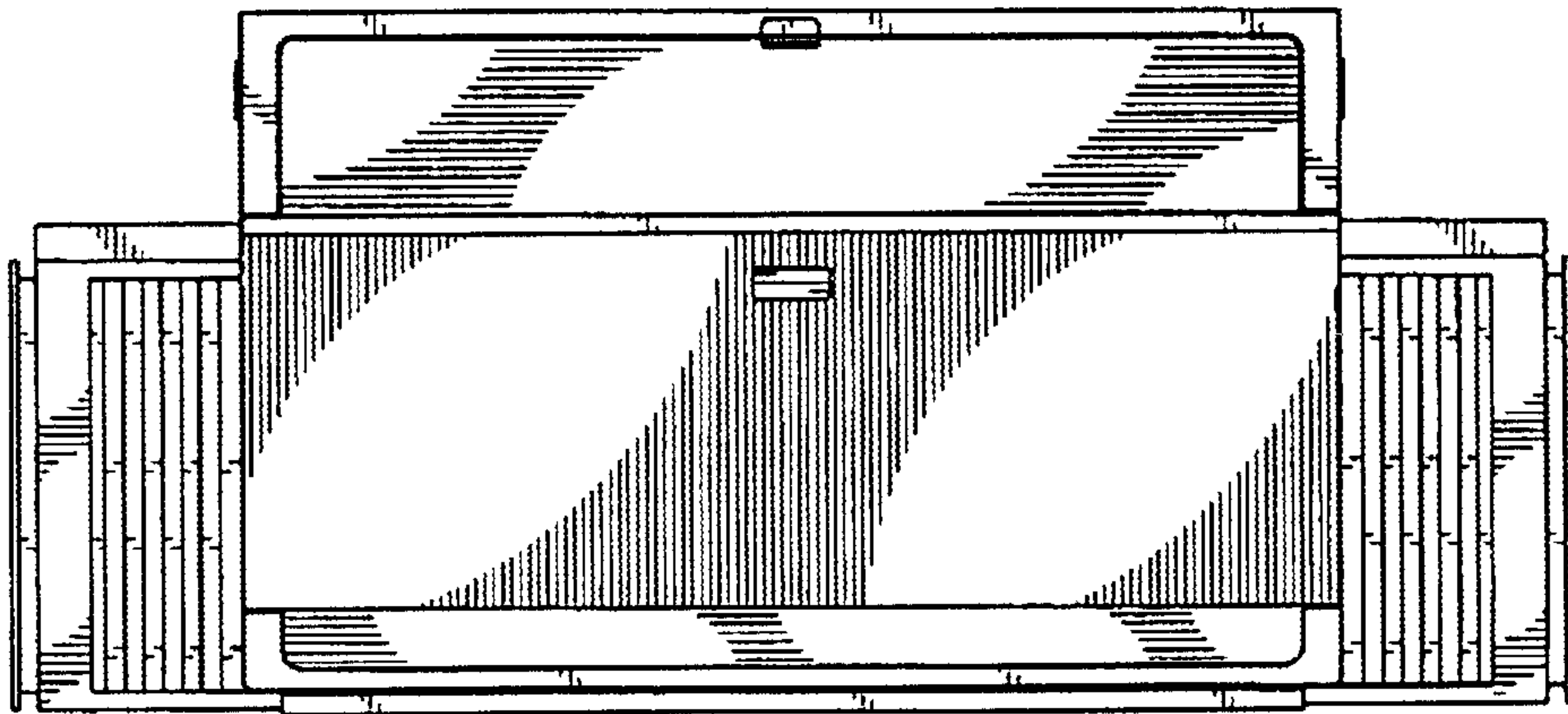


FIG. 3

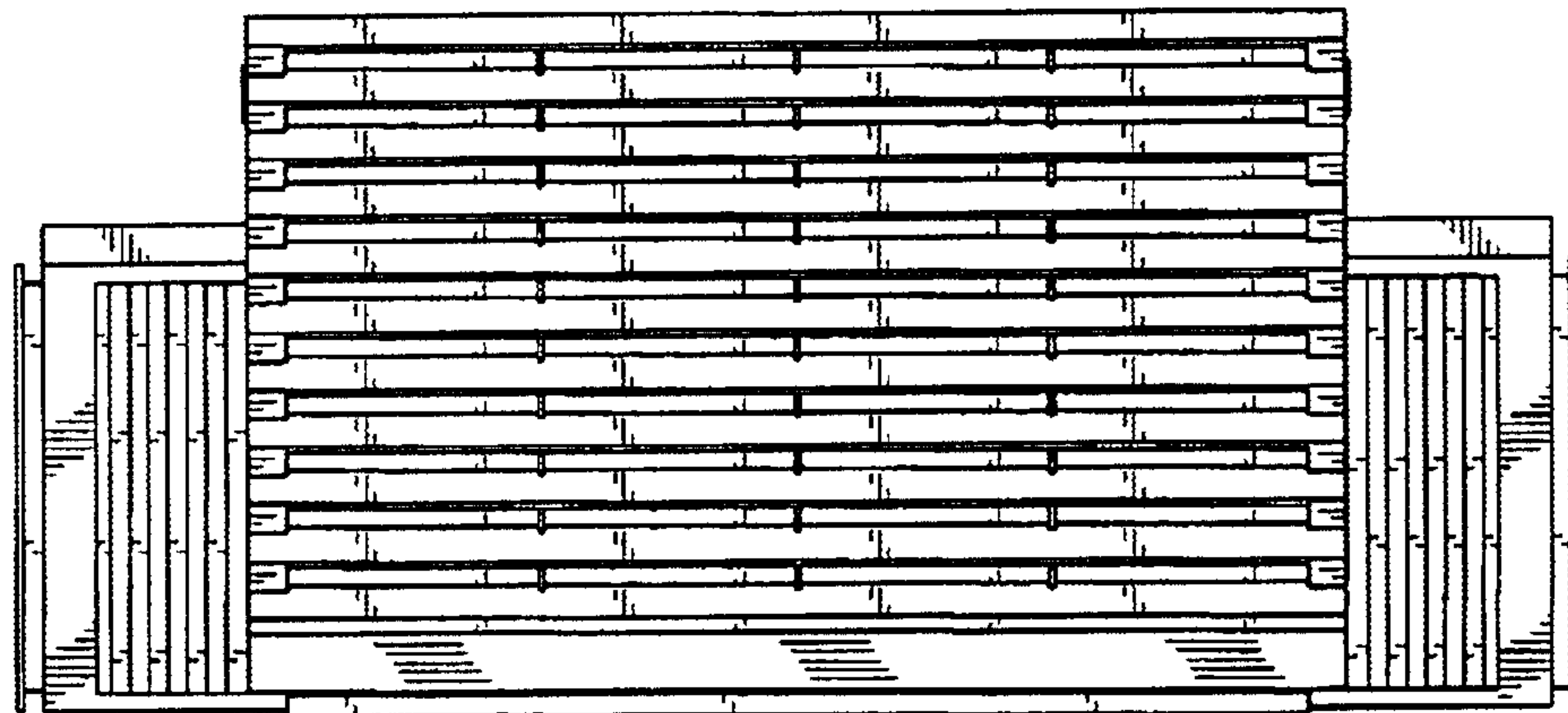


FIG. 4

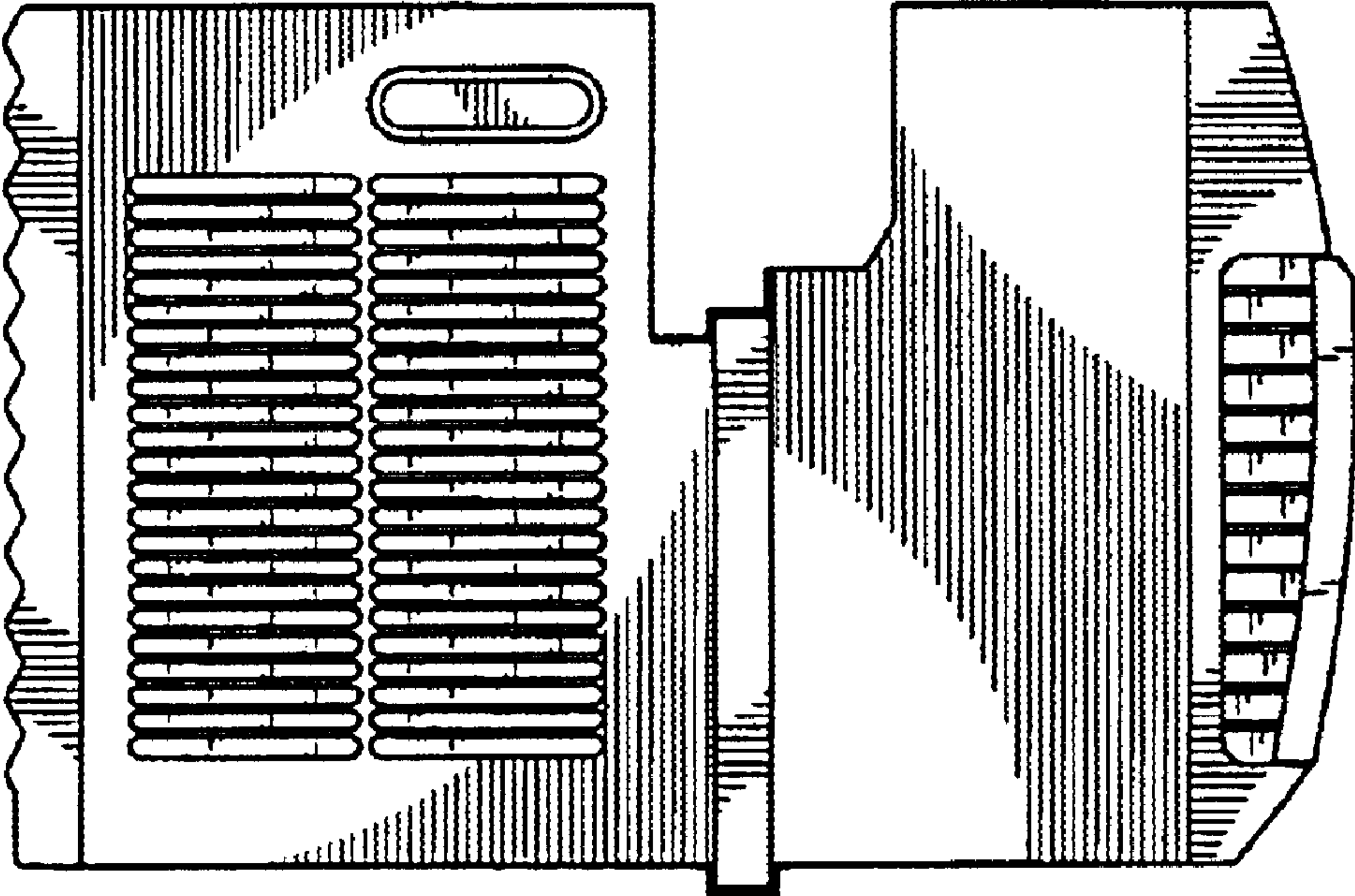


FIG. 5

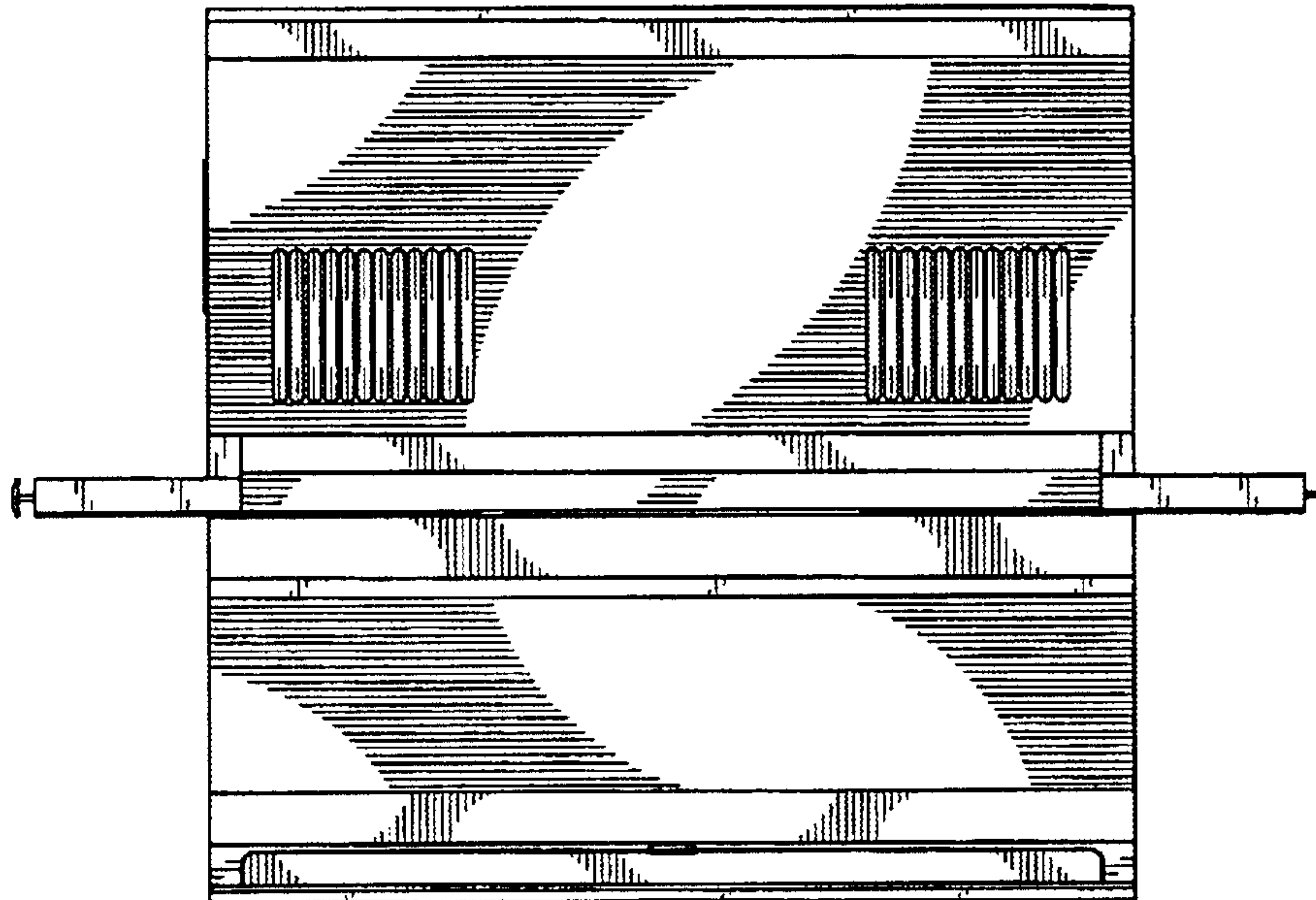


FIG. 6

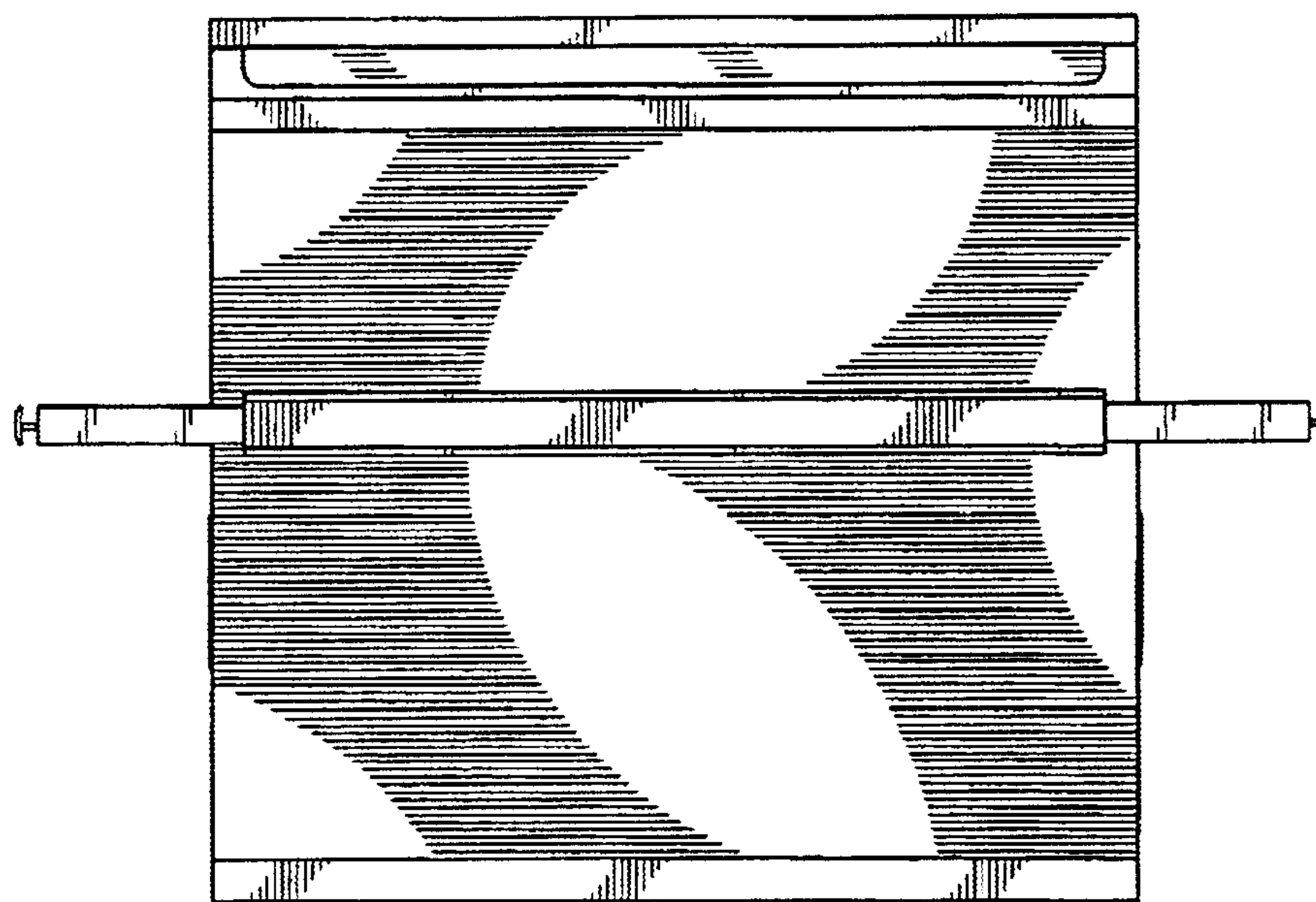


FIG. 7

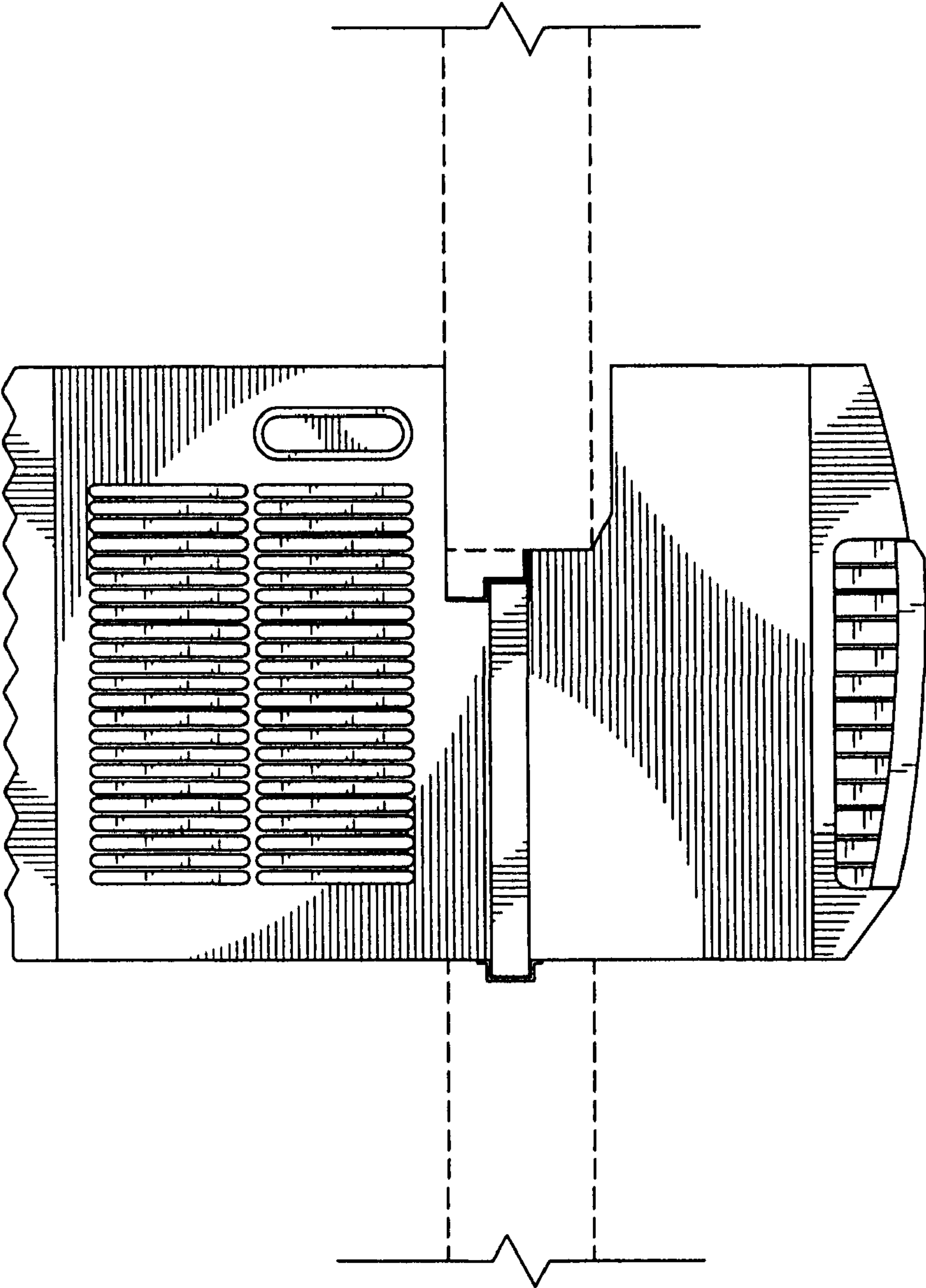


FIG. 8

