

US00D503781S

(12) **United States Design Patent**  
**Matthews et al.**

(10) **Patent No.:** **US D503,781 S**

(45) **Date of Patent:** **\*\* Apr. 5, 2005**

(54) **TOILET SEAT WITH MAGNETIC HOLD-OPEN DEVICE AND MAGNETIC HOLD-CLOSED DEVICES**

4,561,130 A 12/1985 Bumgardner et al. .... 4/253  
D306,899 S 3/1990 Miller ..... D23/296  
5,907,873 A \* 6/1999 Brandolf ..... 4/246.1

(76) Inventors: **Mark B. Matthews**, 72 Seaver St., Apt. A, Dorchester, MA (US) 02121; **Kyle M. Matthews**, 72 Seaver St., Apt. A, Dorchester, MA (US) 02121

\* cited by examiner

*Primary Examiner*—Robert A. Delehanty  
(74) *Attorney, Agent, or Firm*—Donald R. Schoonover

(\*\*) Term: **14 Years**

(57) **CLAIM**

We claim the ornamental design for a toilet seat with magnetic hold-open device and magnetic hold-closed devices, as shown and described.

(21) Appl. No.: **29/206,412**

(22) Filed: **Jun. 1, 2004**

**DESCRIPTION**

(51) **LOC (7) Cl.** ..... **23-02**

(52) **U.S. Cl.** ..... **D23/311**

(58) **Field of Search** ..... D23/270–271,  
D23/273–274, 295, 299, 301, 303, 309,  
311; 4/663–664, 300, 329, 483, 217, DIG. 15,  
234–239, DIG. 6, 246.1, 246.3, 246.5,  
242.1

FIG. 1 is a perspective view of a toilet seat with magnetic hold-open device and magnetic hold-closed devices showing our new design;

FIG. 2 is a right side elevational view thereof, the left side elevational view being a mirror image thereof;

FIG. 3 is a front elevational view thereof;

FIG. 4 is a top plan view thereof;

FIG. 5 is a rear elevational view thereof; and,

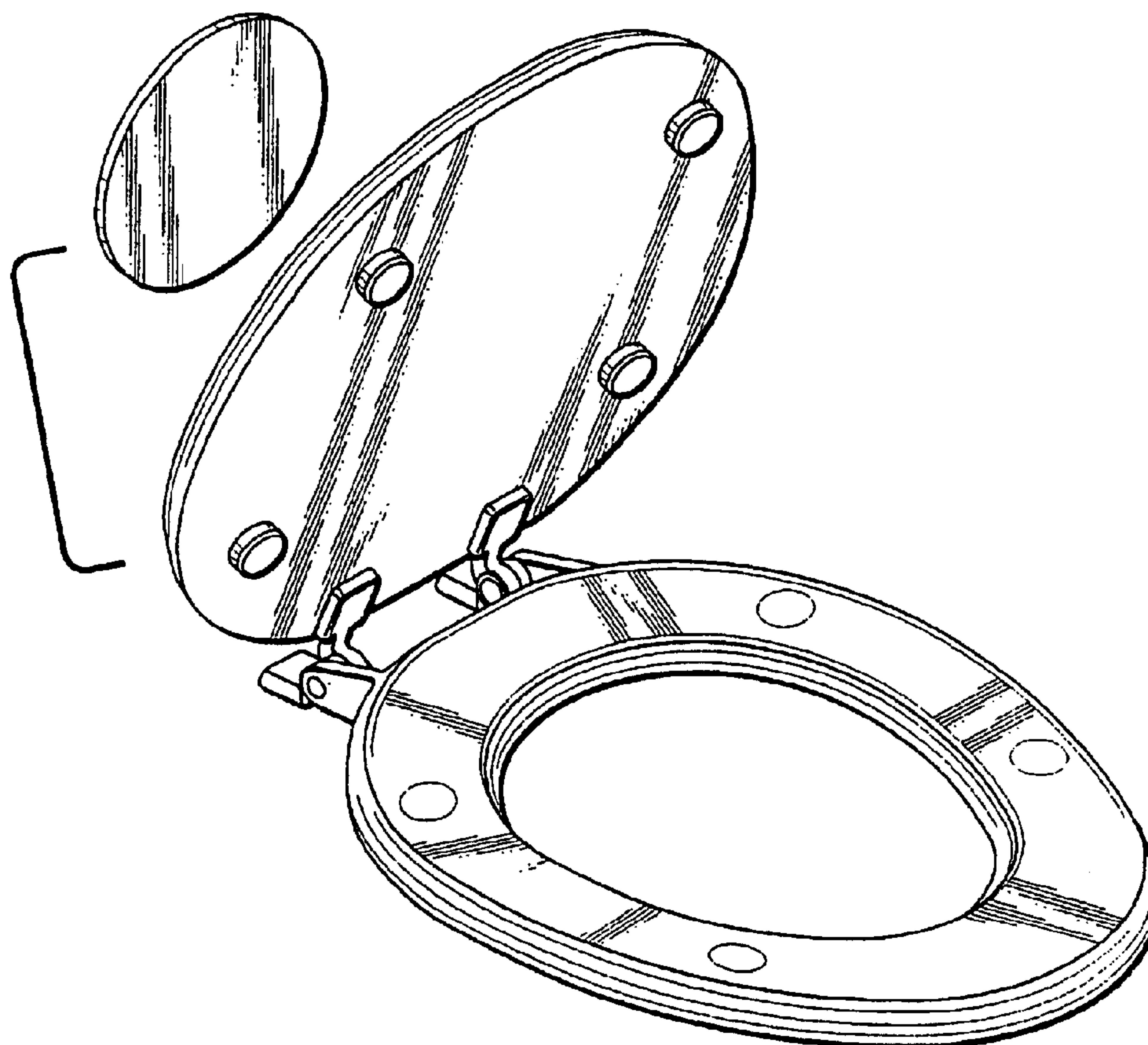
FIG. 6 is a perspective view showing the toilet seat with magnetic hold-open device and magnetic hold-closed devices in use; the broken lines depict environmental structure for illustrative purposes only and form no part of the claimed design.

(56) **References Cited**

**U.S. PATENT DOCUMENTS**

2,545,436 A 3/1951 Liebling ..... 4/239  
2,692,394 A 10/1954 Paulus ..... 4/234  
3,205,510 A 9/1965 Levine ..... 4/234  
3,562,850 A 2/1971 Eliason et al. .... 16/320

**1 Claim, 4 Drawing Sheets**



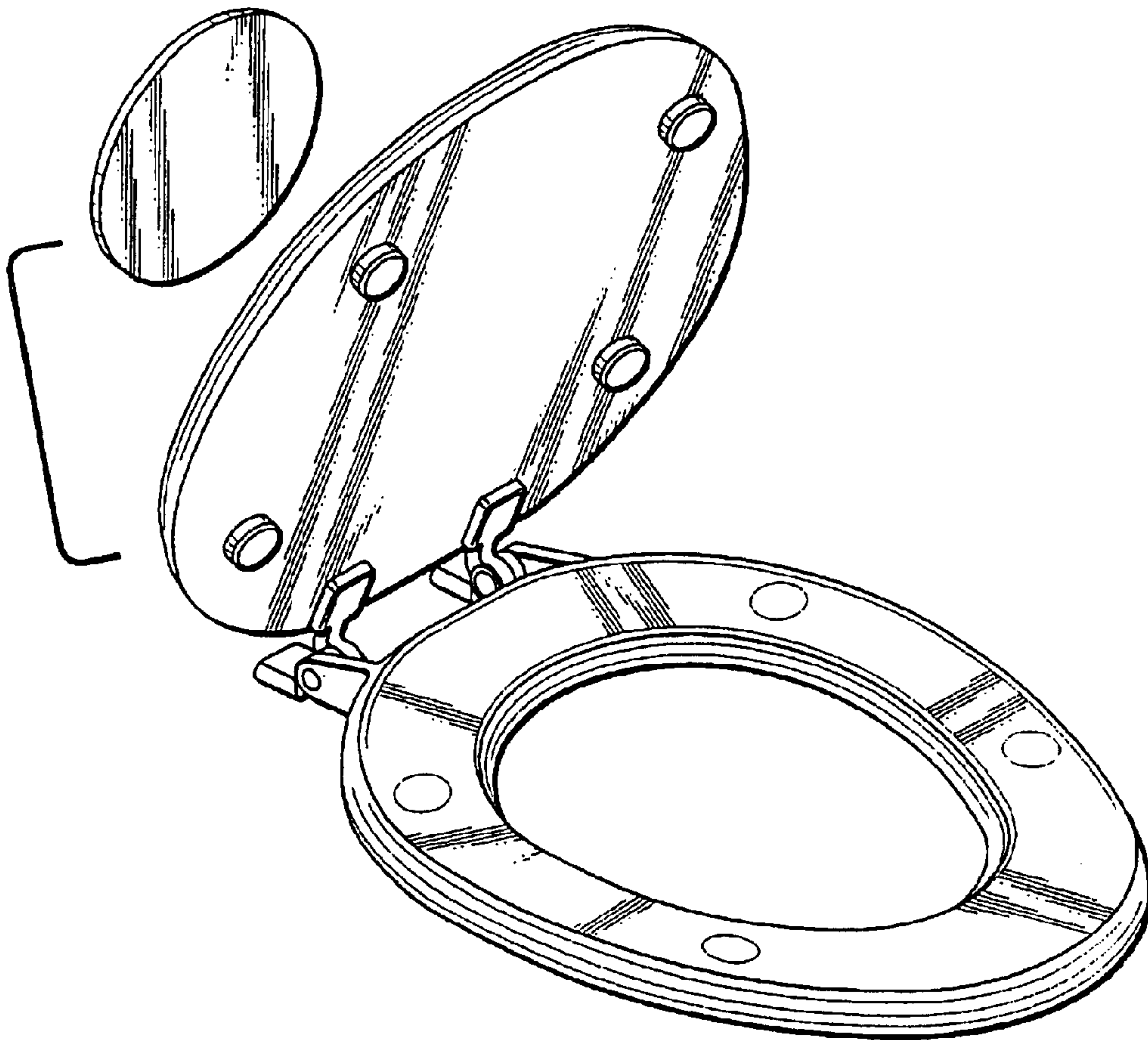


FIG. 1

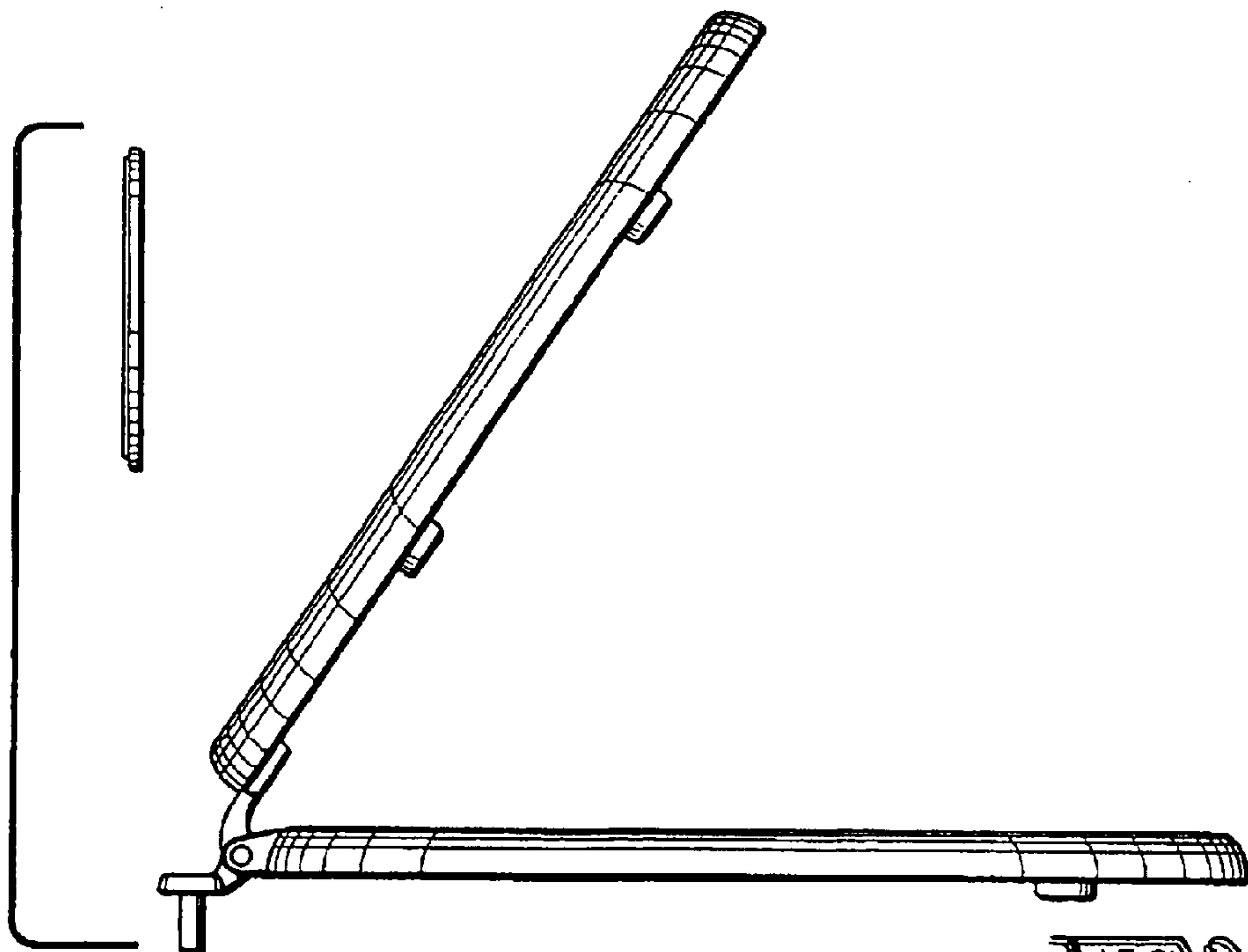


FIG. 2

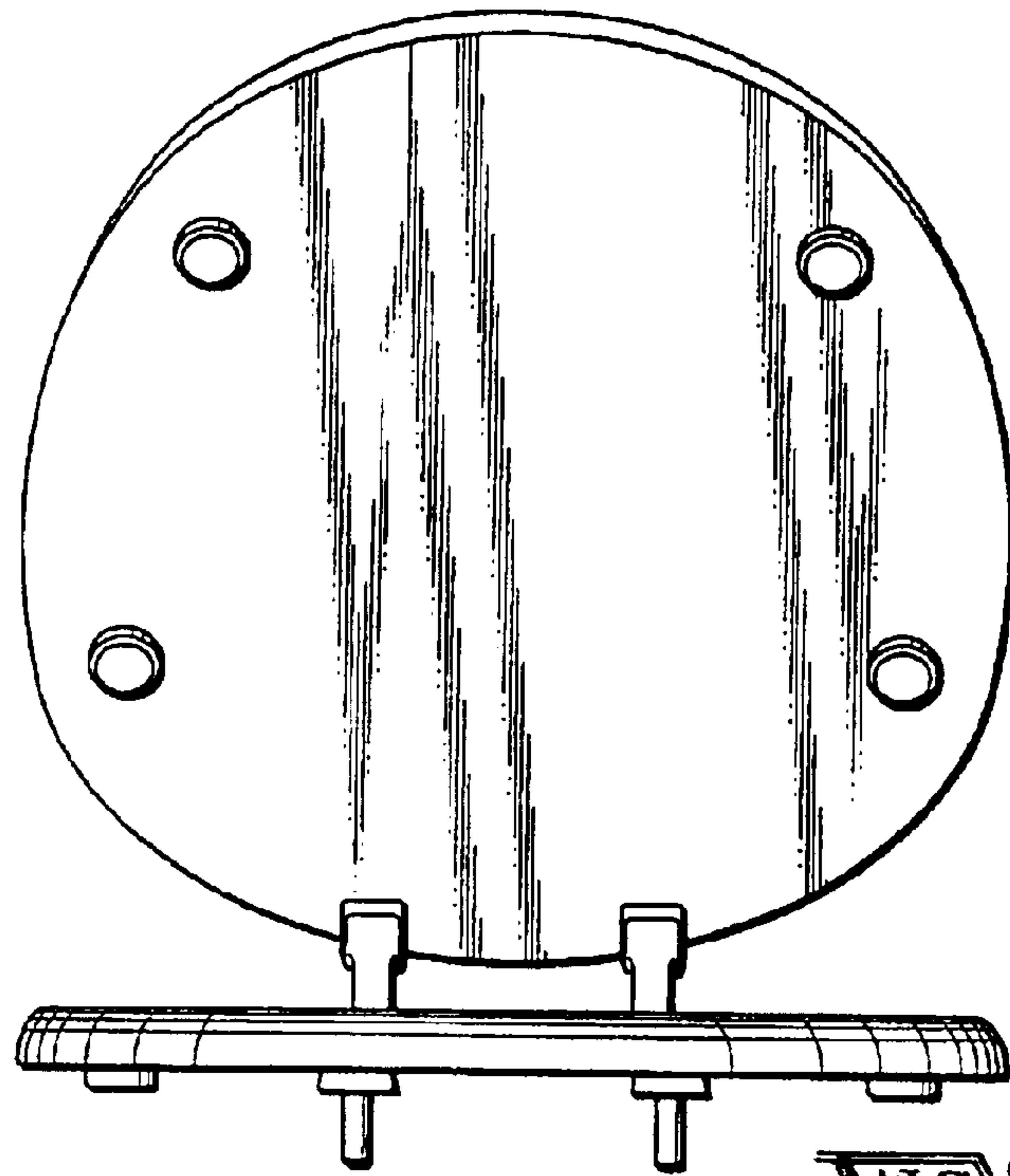


FIG. 3

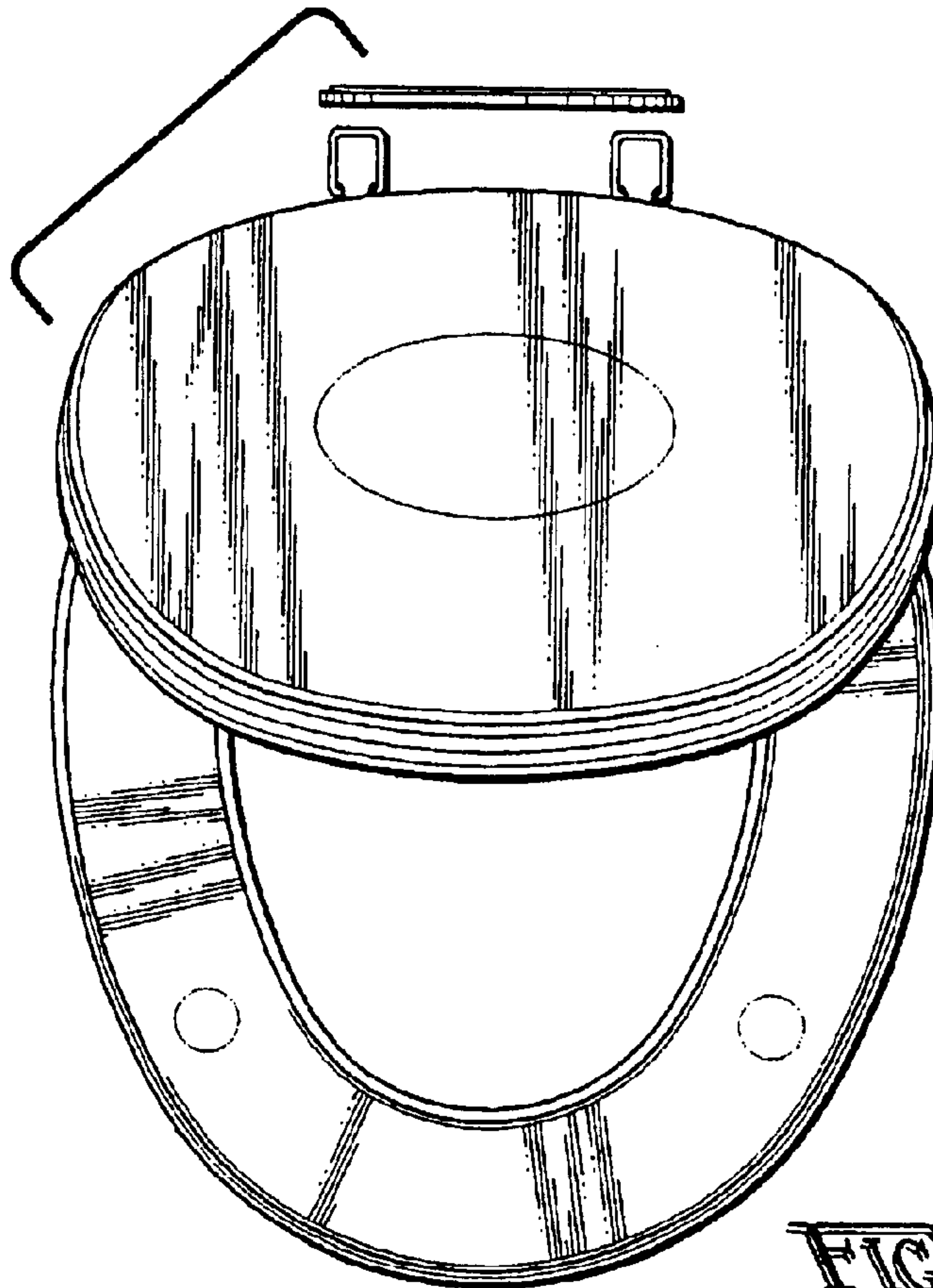


FIG. 4

