

US00D503780S

(12) **United States Design Patent**  
**Easley et al.**

(10) **Patent No.:** **US D503,780 S**  
(45) **Date of Patent:** **\*\* Apr. 5, 2005**

(54) **TOILET SEAT WITH HANDLE**

5,729,839 A \* 3/1998 Bigelow ..... 4/246.1

(76) Inventors: **Charles Houston Easley**, P.O. Box  
290531, Nashville, TN (US)  
37229-0531; **Kay Frances Donnell**,  
1105 Arbor Creek Way, Nashville, TN  
(US) 37217

\* cited by examiner

*Primary Examiner*—Robert A. Delehanty

(\*\*) **Term:** **14 Years**

(57) **CLAIM**

The ornamental design for a toilet seat with handle, as shown and described.

(21) **Appl. No.:** **29/203,469**

**DESCRIPTION**

(22) **Filed:** **Apr. 15, 2004**

FIG. 1 is a perspective view taken from the top left side of the toilet seat.

(51) **LOC (7) Cl.** ..... **23-02**

FIG. 2 is a perspective view taken from the top rear right side of the toilet seat.

(52) **U.S. Cl.** ..... **D23/311**

FIG. 3 is a the top view of FIG. 2.

(58) **Field of Search** ..... D23/270–271,

FIG. 4 is a left side elevational view of FIG. 3.

D23/273–274, 295, 299, 301, 303, 309,

FIG. 5 is a bottom view of FIG. 3.

311; 4/663–664, 300, 329, 483, 217, DIG. 15,

FIG. 6 is rear elevational view of FIG. 3.

234–239, DIG. 6, 246.1, 246.3, 246.5,

FIG. 7 is a front elevational view of FIG. 3.

229

FIG. 8 is a cross sectional view thereof taken along line 8—8 in FIG. 2.

(56) **References Cited**

**U.S. PATENT DOCUMENTS**

FIG. 9 is across sectional view of line 9—9 in FIG. 2; and,

FIG. 10 is an enlarged broken-away cross sectional view of line 10 in FIG. 8.

2,236,576 A \* 4/1941 Loebner ..... 4/246.1

5,065,460 A \* 11/1991 Currin ..... 4/229

D325,510 S \* 4/1992 Slye ..... D8/307

**1 Claim, 5 Drawing Sheets**

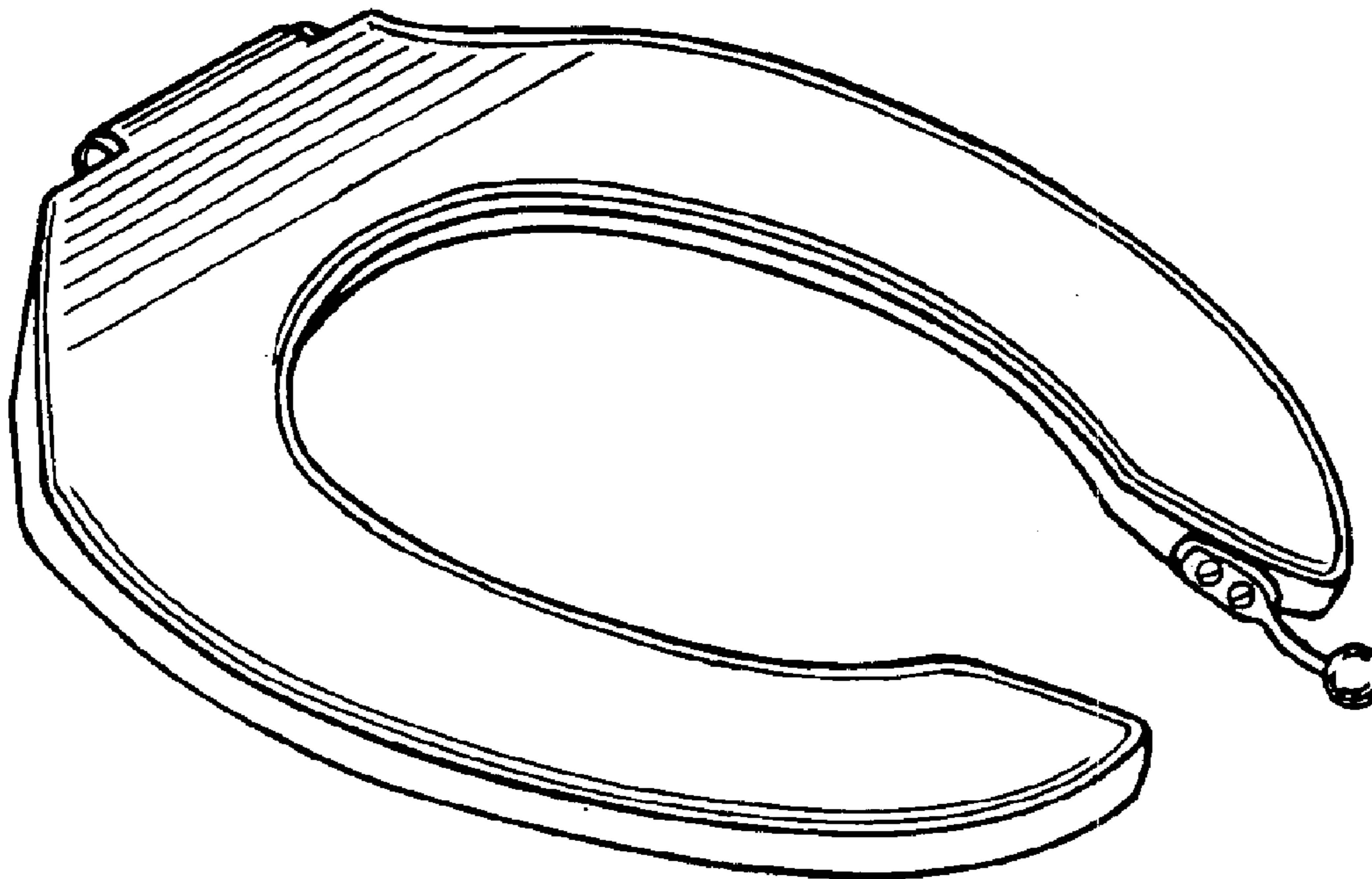


FIG. 1

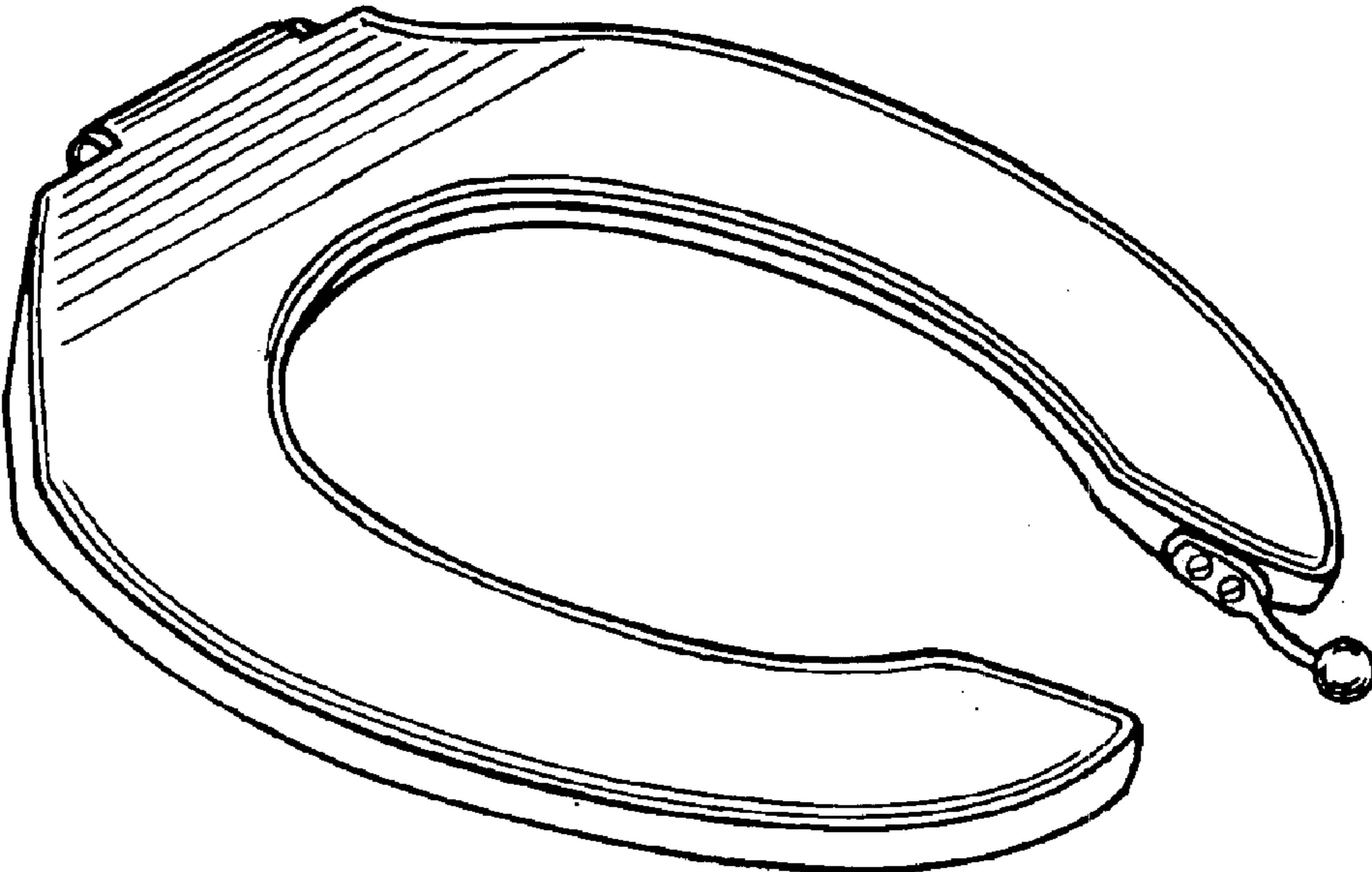
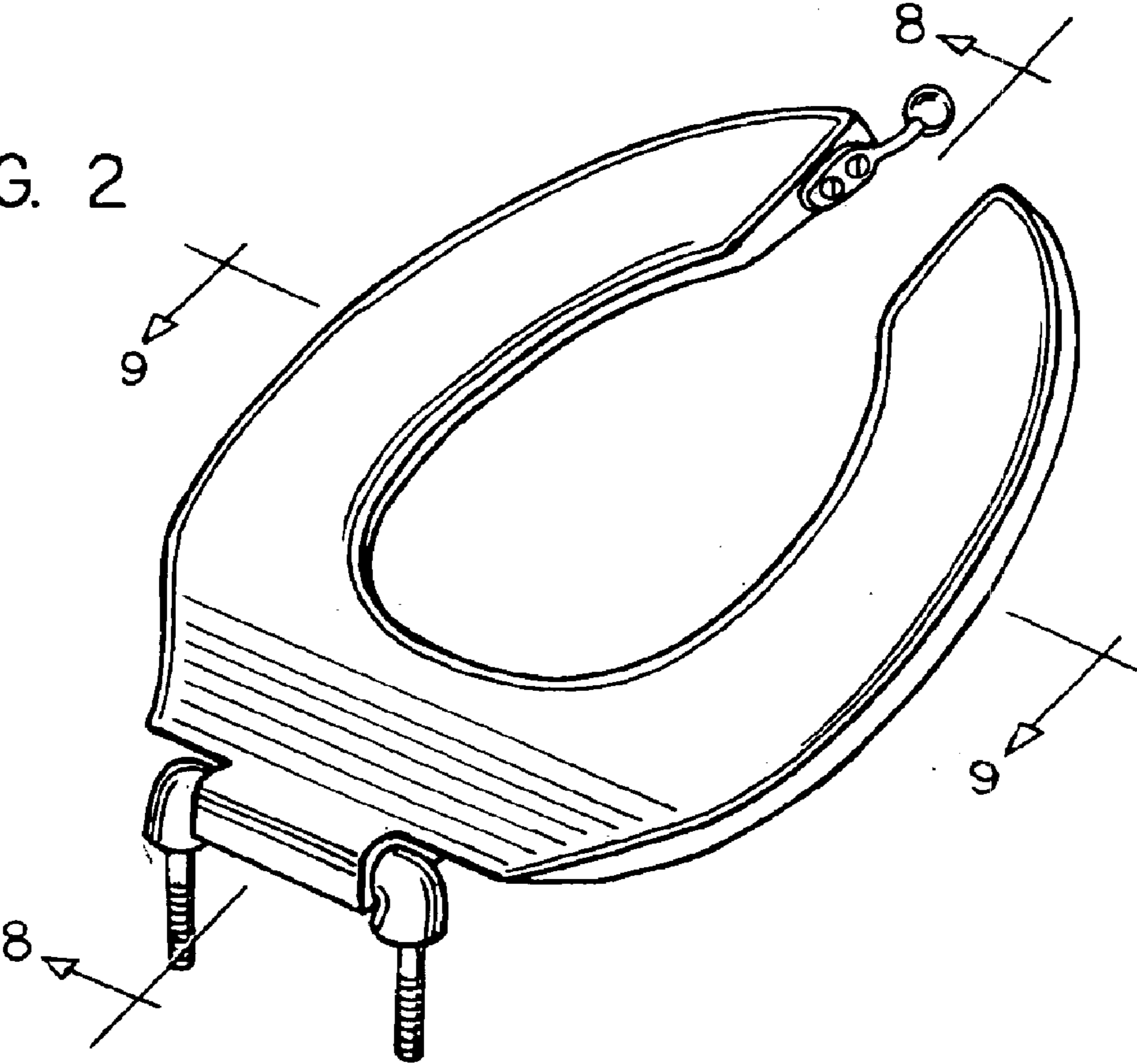


FIG. 2



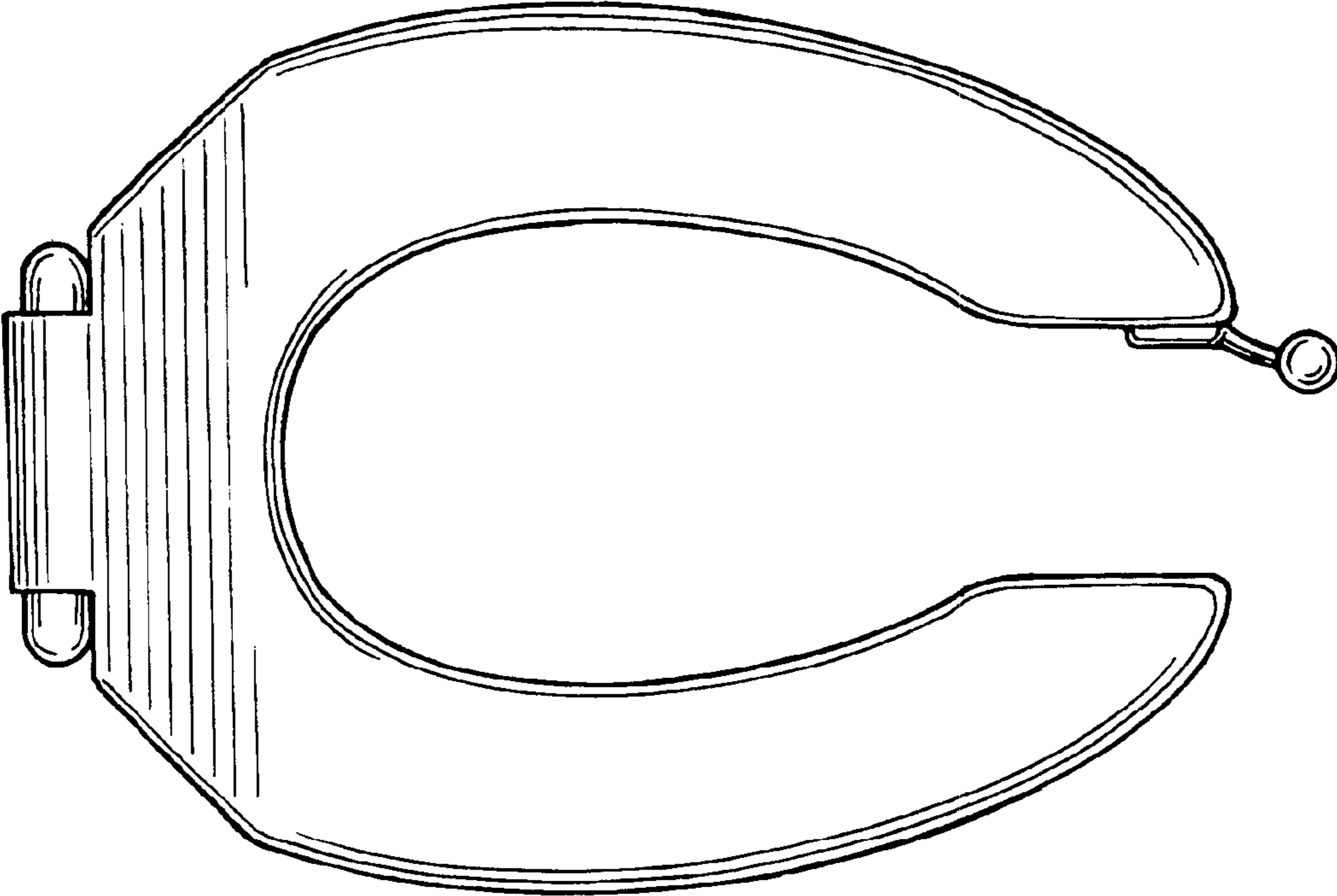


FIG. 3

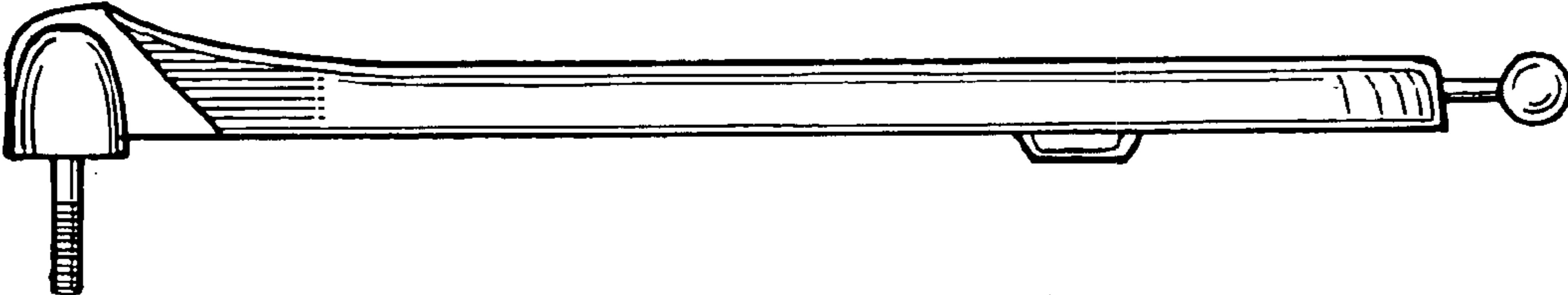


FIG. 4

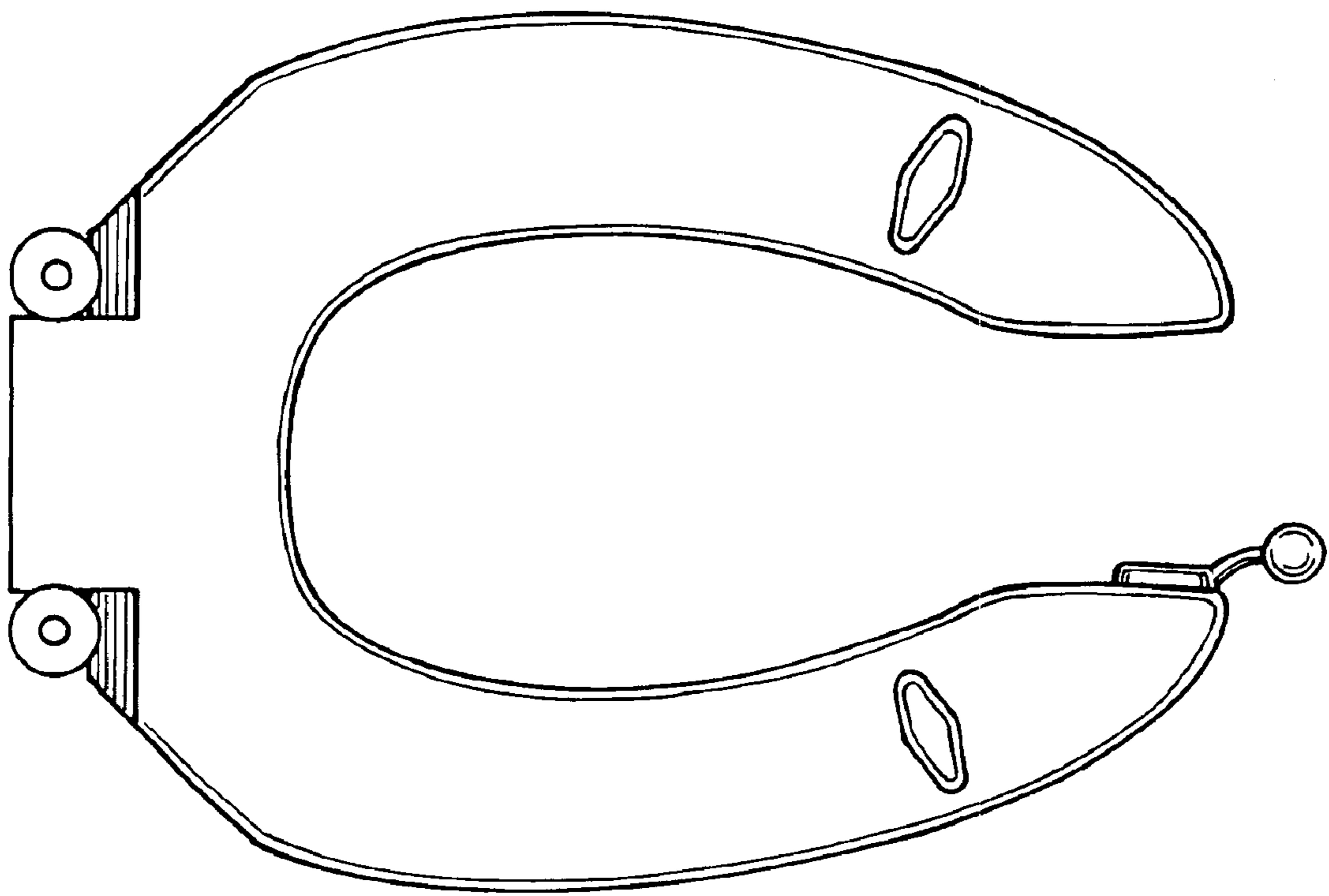


FIG. 5

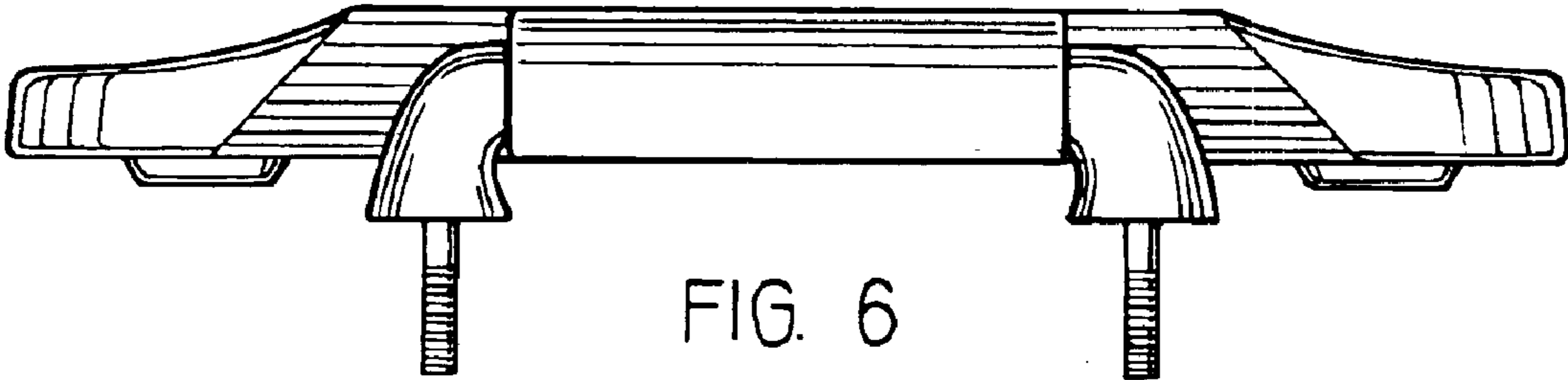


FIG. 6

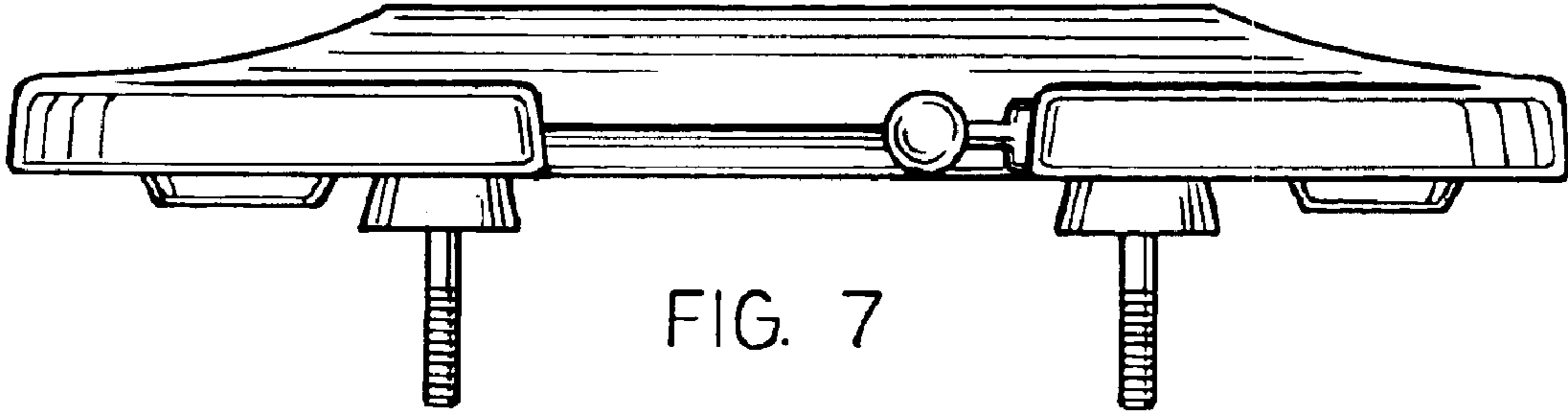


FIG. 7

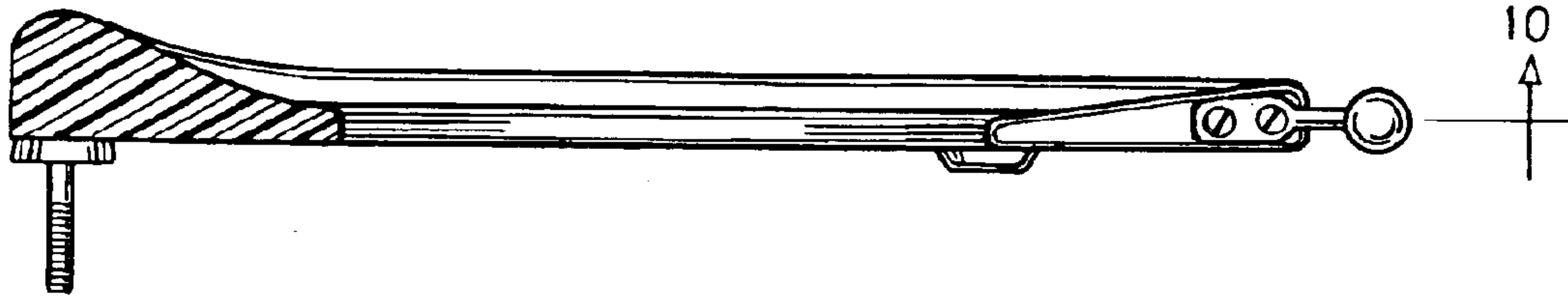


FIG. 8

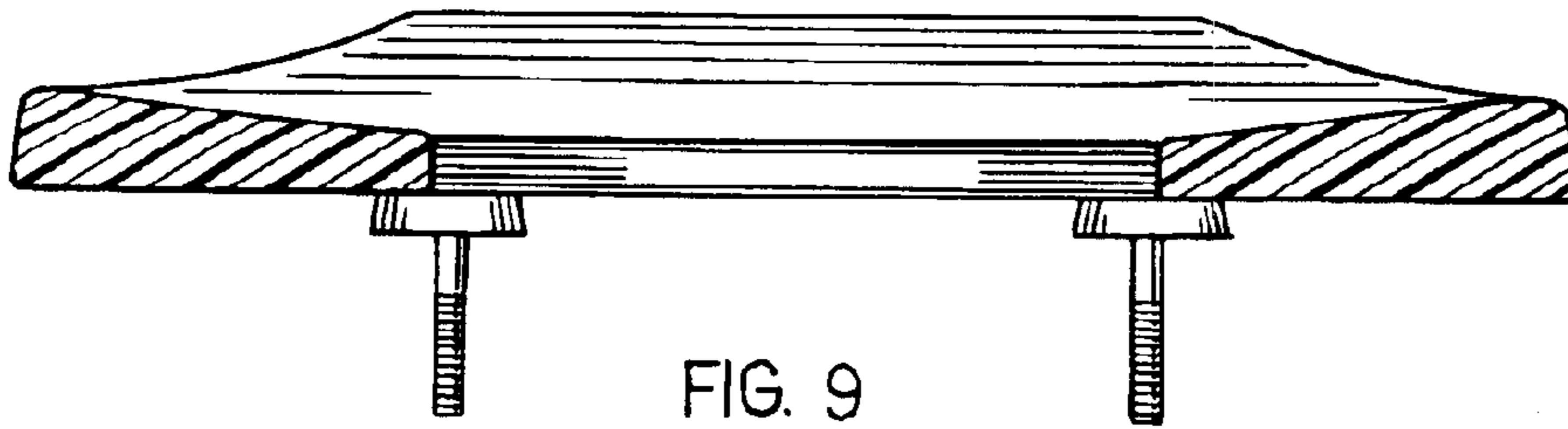


FIG. 9

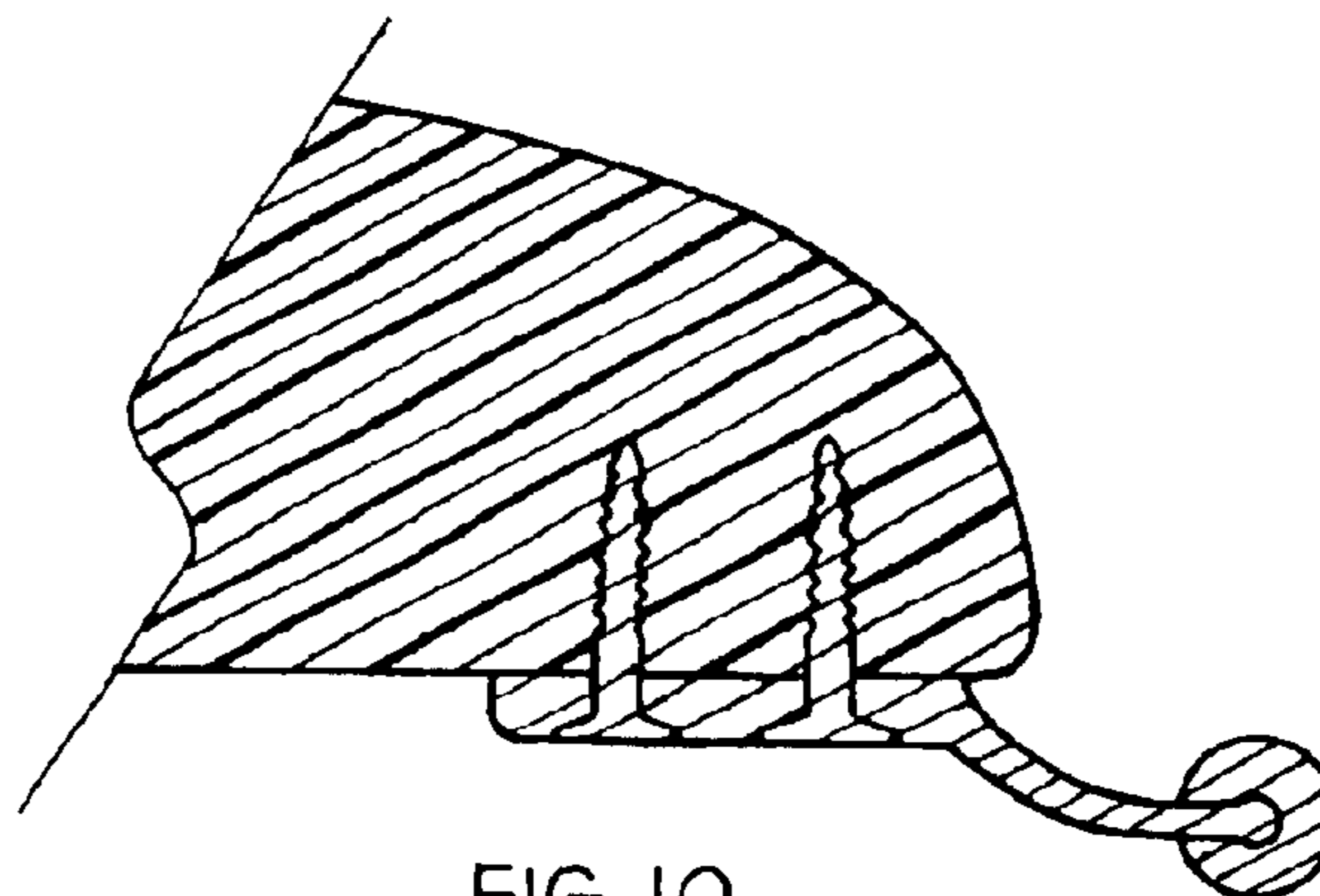


FIG. 10