

US00D503775S

(12) **United States Design Patent**
Zieger

(10) **Patent No.: US D503,775 S**

(45) **Date of Patent: ** Apr. 5, 2005**

(54) **SHOWER HEAD AND HANDLE**

(75) **Inventor: Claus D. Zieger, Industry, CA (US)**

(73) **Assignee: Interbath, Inc., City of Industry, CA (US)**

(**) **Term: 14 Years**

(21) **Appl. No.: 29/192,479**

(22) **Filed: Oct. 24, 2003**

(51) **LOC (7) Cl. 23-01**

(52) **U.S. Cl. D23/223**

(58) **Field of Search D23/213, 223,
D23/226, 229, 230; 239/394, 282, 283**

(56) **References Cited**

U.S. PATENT DOCUMENTS

D339,627 S	*	9/1993	Klose	D23/223
D424,162 S	*	5/2000	Haug et al.	D23/223
D424,163 S	*	5/2000	Haug et al.	D23/223
D428,110 S	*	7/2000	Haug et al.	D23/223

* cited by examiner

Primary Examiner—Robin V. Taylor

(74) *Attorney, Agent, or Firm*—Foley & Lardner LLP

(57) **CLAIM**

The ornamental design for a shower head and handle, as shown and described.

DESCRIPTION

FIG. 1 is a perspective view of a shower head and handle showing a first embodiment of my new design;

FIG. 2 is a top side view showing the first embodiment of my new design;

FIG. 3 is a left side view showing the first embodiment of my new design;

FIG. 4 is a rear side view showing the first embodiment of my new design;

FIG. 5 is a front side view showing the first embodiment of my new design;

FIG. 6 is a right side view showing the first embodiment of my new design;

FIG. 7 is a bottom side view showing the first embodiment of my new design.

FIG. 8 is a perspective view of a shower head and handle showing a second embodiment of my new design;

FIG. 9 is a top side view showing the second embodiment of my new design;

FIG. 10 is a bottom view thereof;

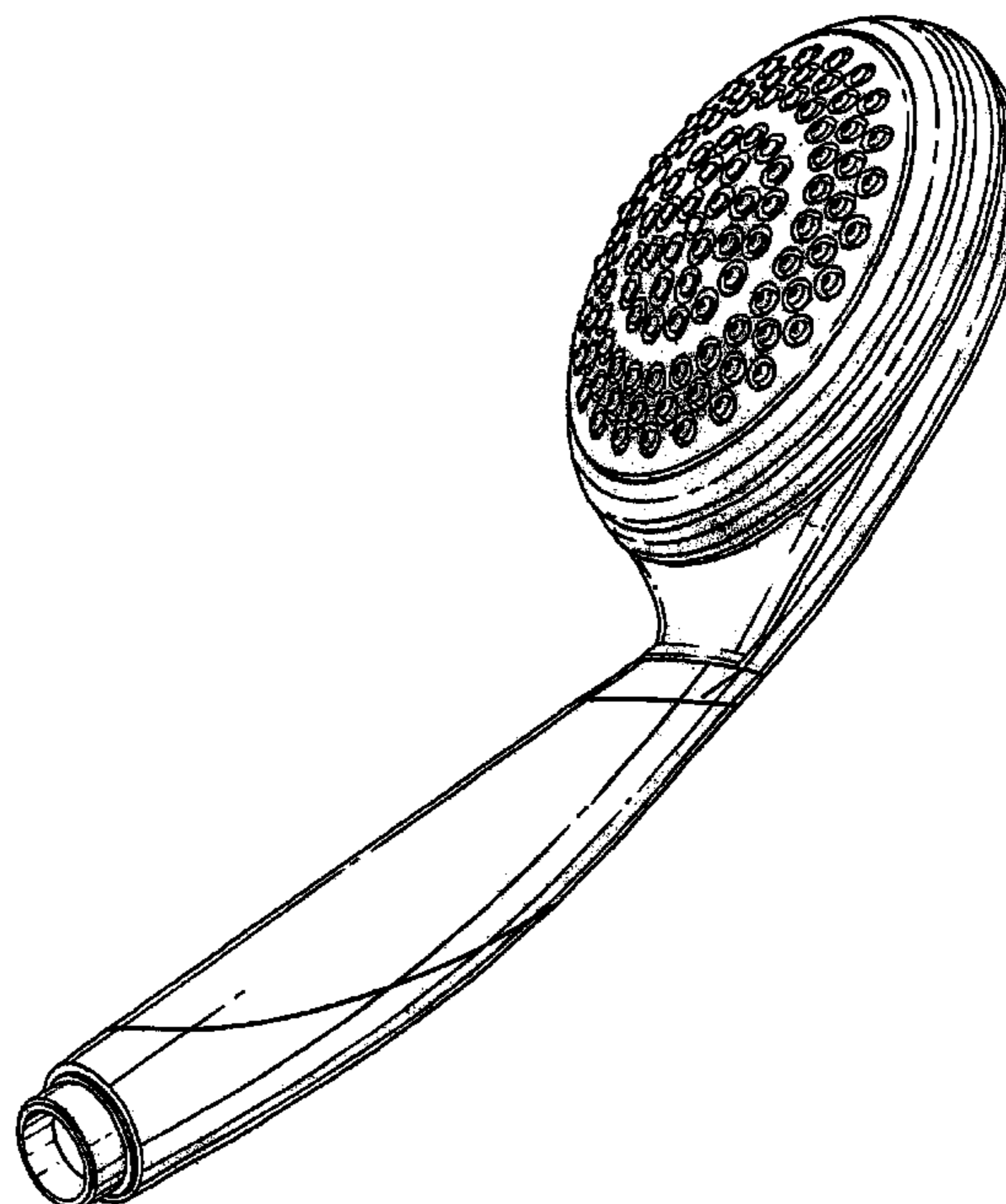
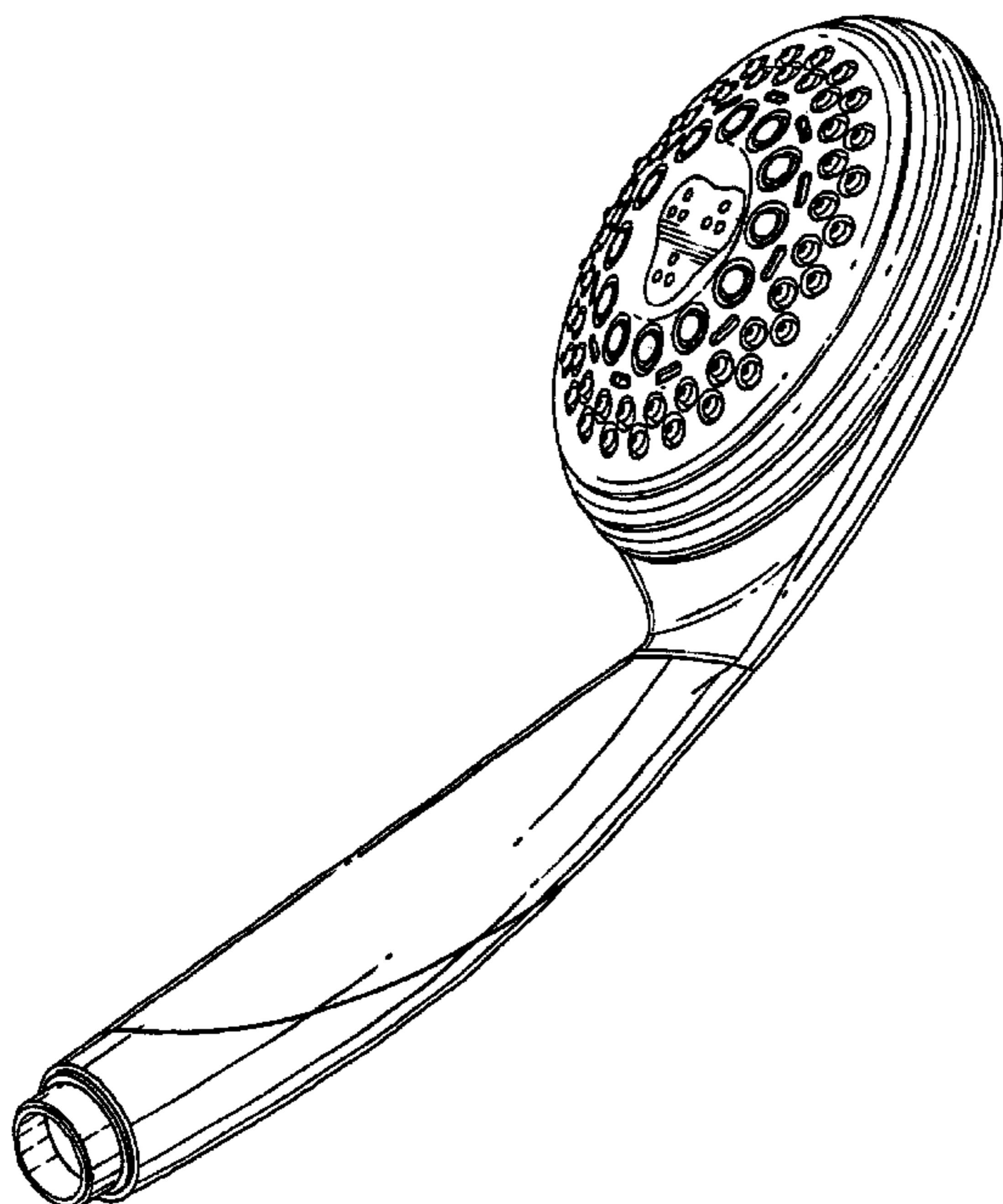
FIG. 11 is a right side view thereof;

FIG. 12 is a rear view thereof;

FIG. 13 is a front view thereof; and,

FIG. 14 is a left side view thereof.

1 Claim, 14 Drawing Sheets



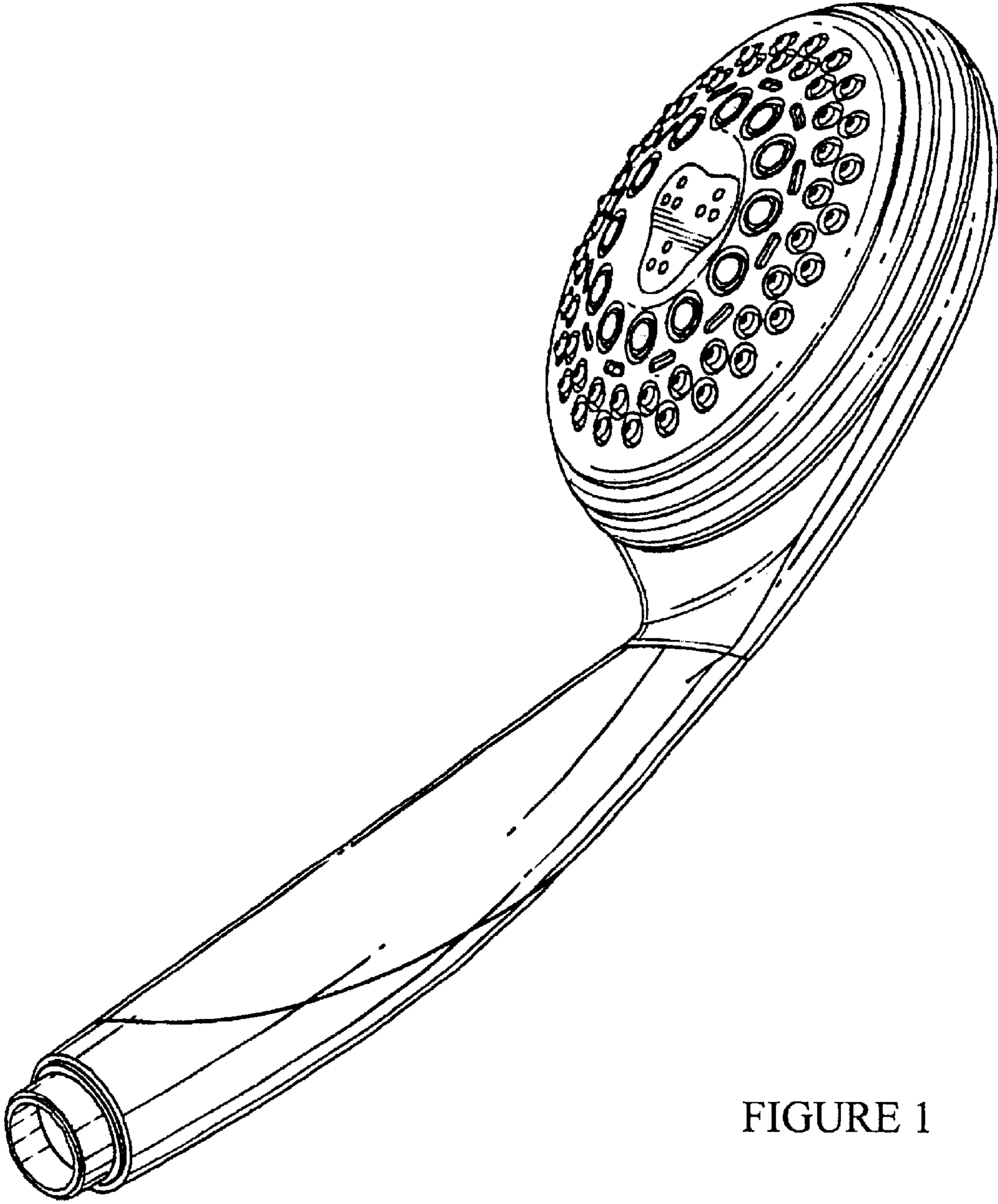


FIGURE 1

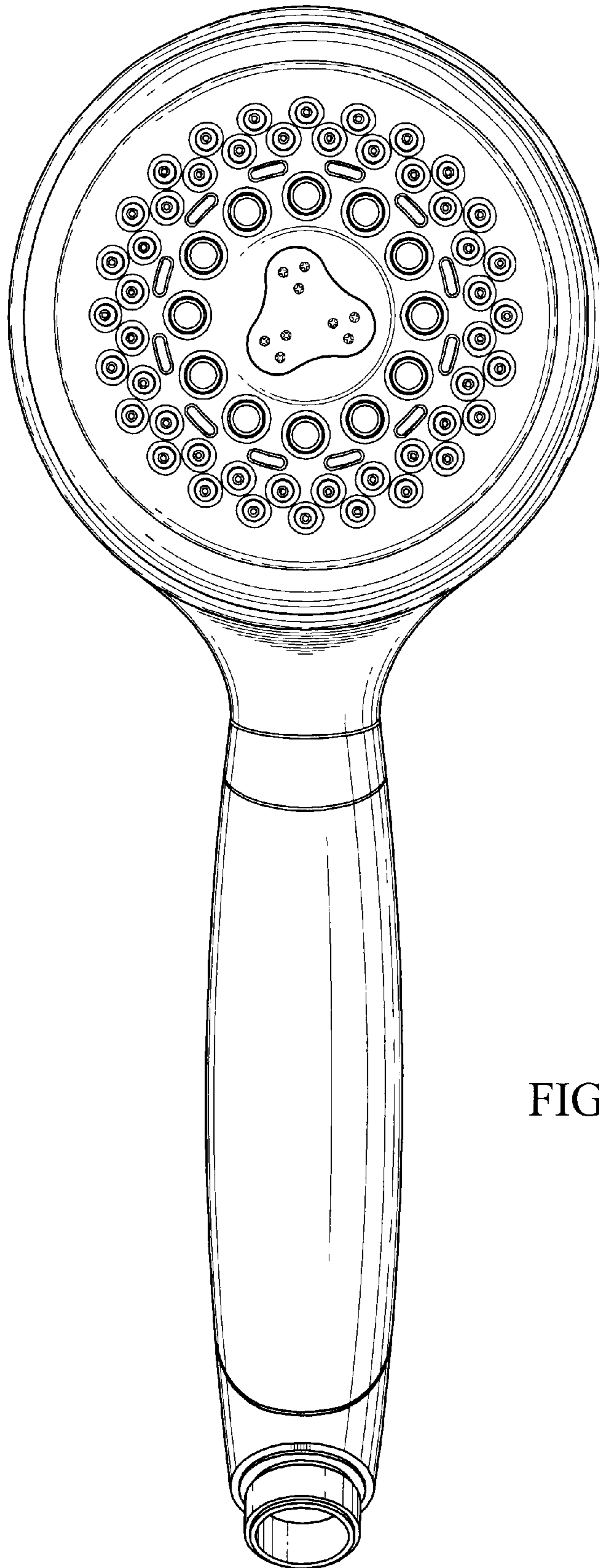


FIGURE 2

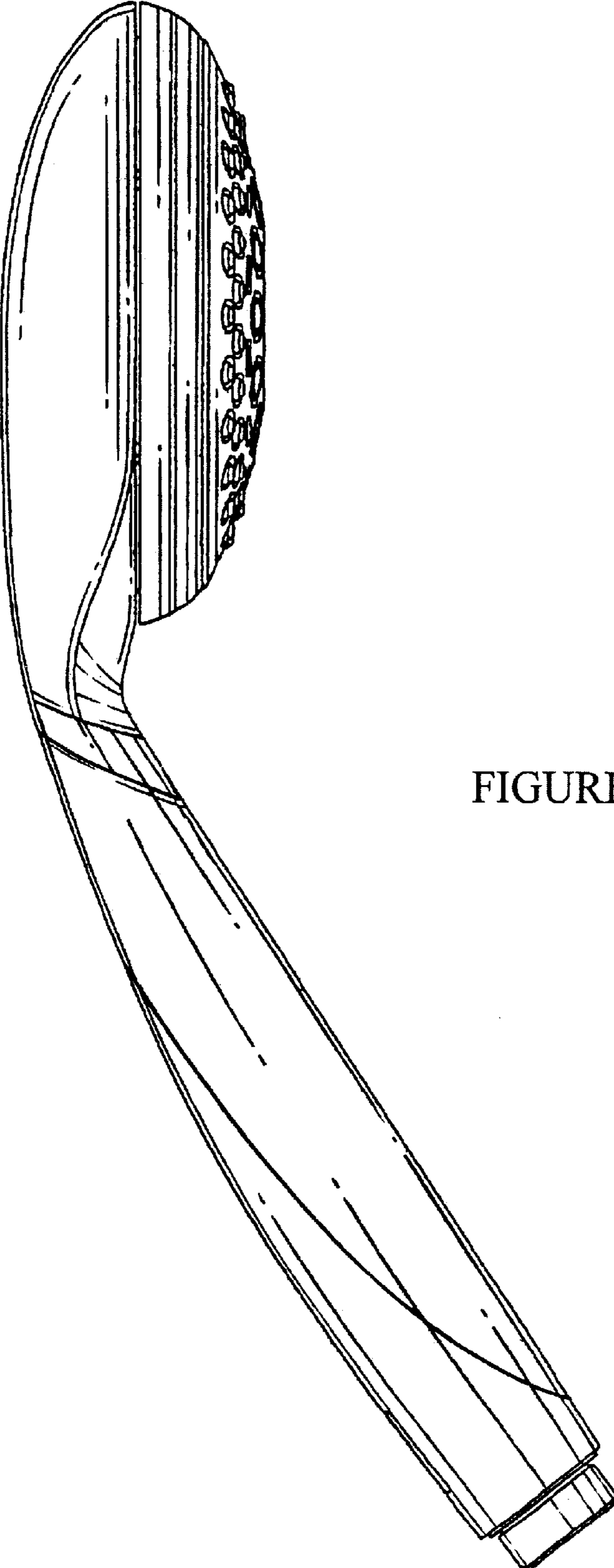


FIGURE 3

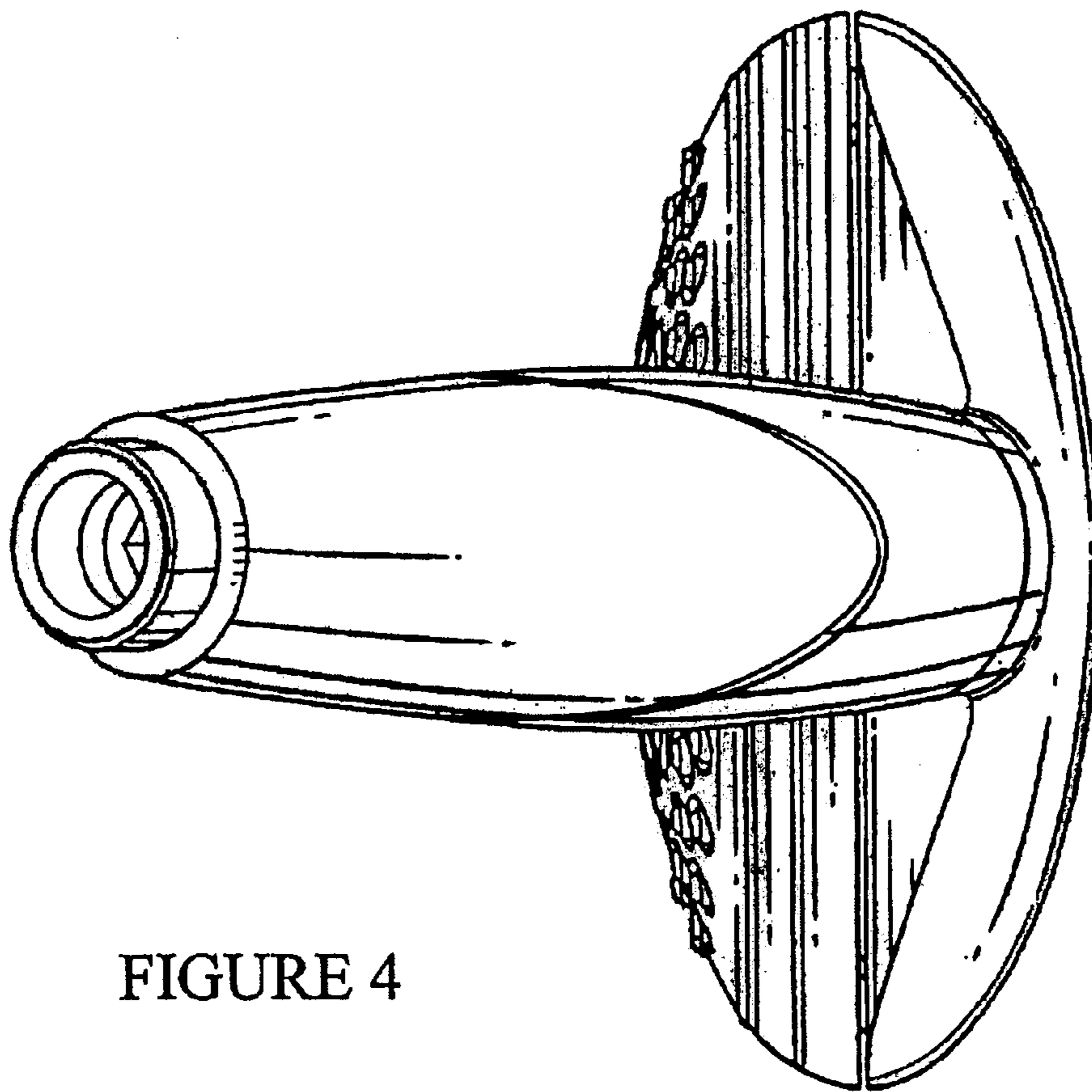


FIGURE 4

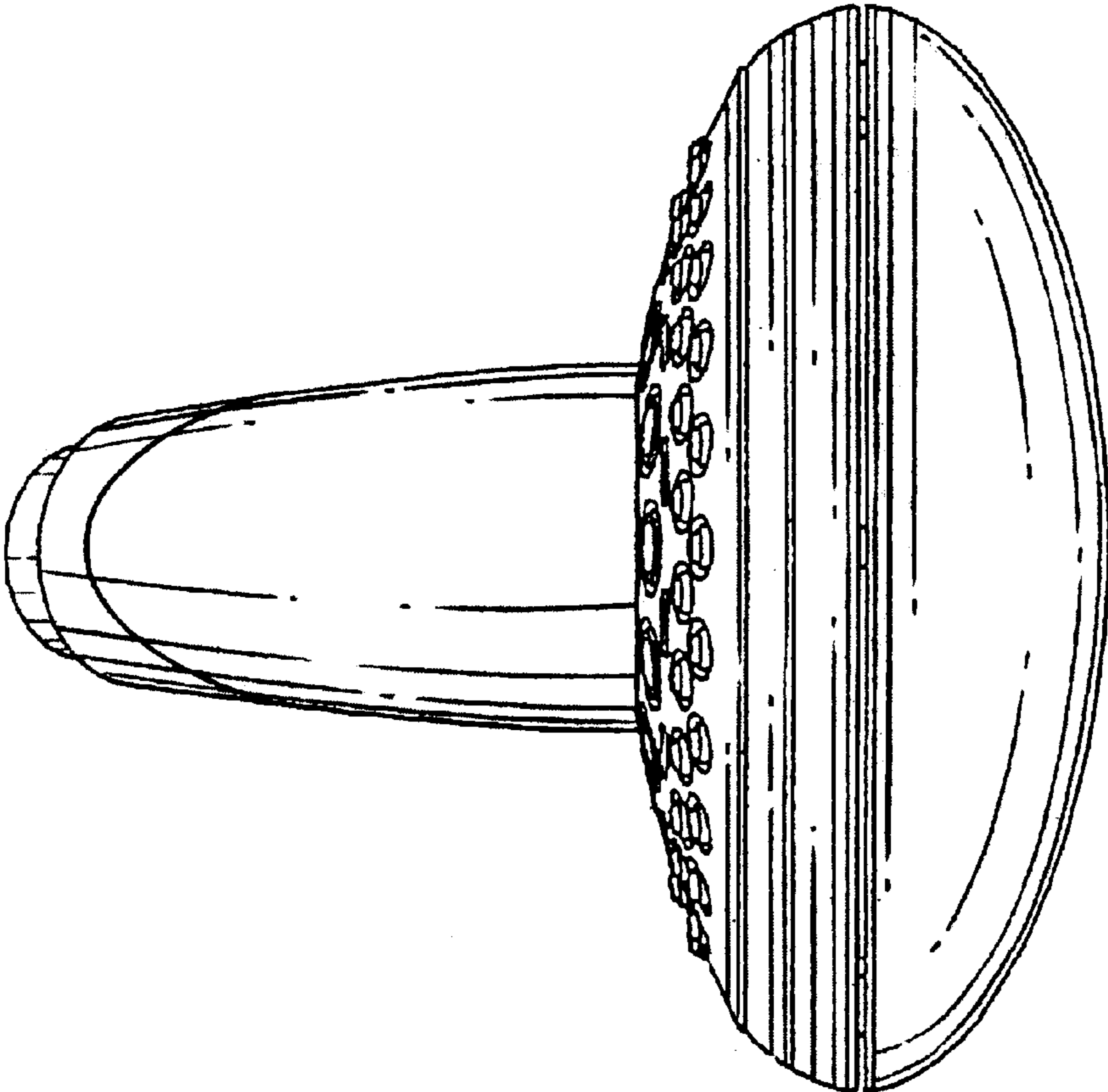


FIGURE 5

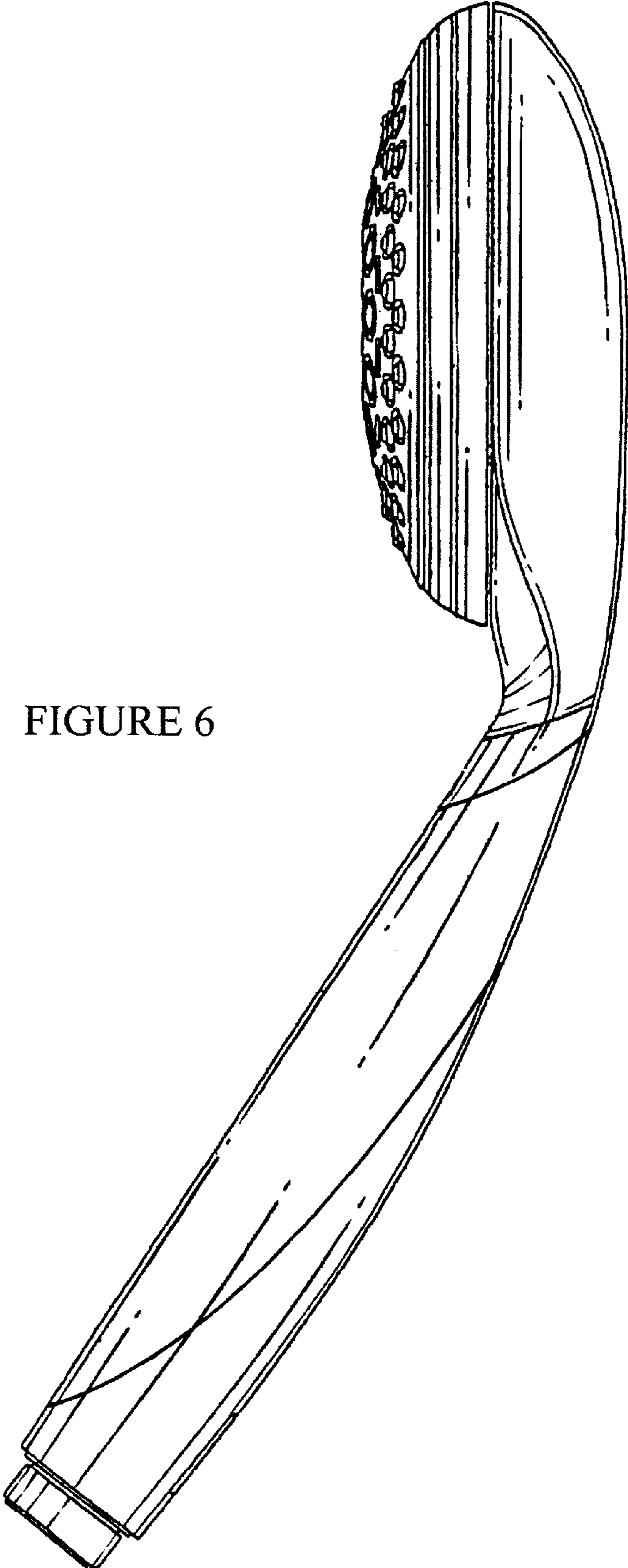


FIGURE 6

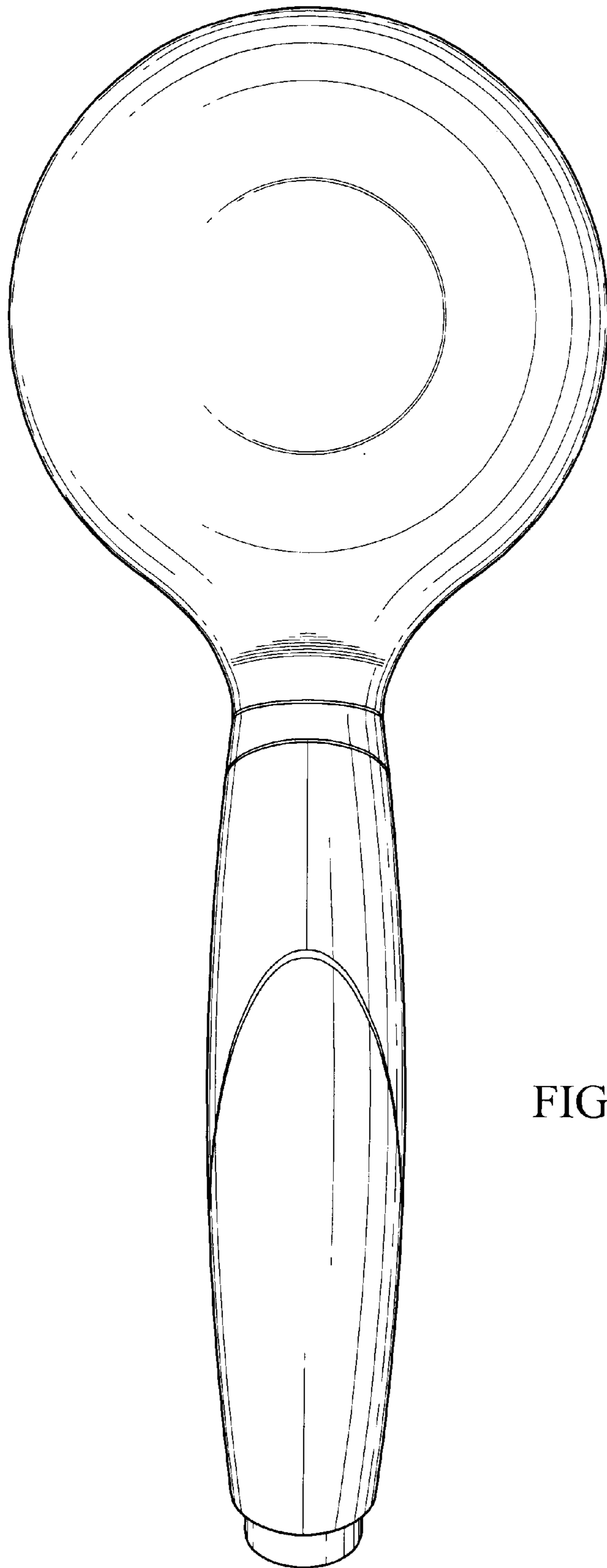


FIGURE 7

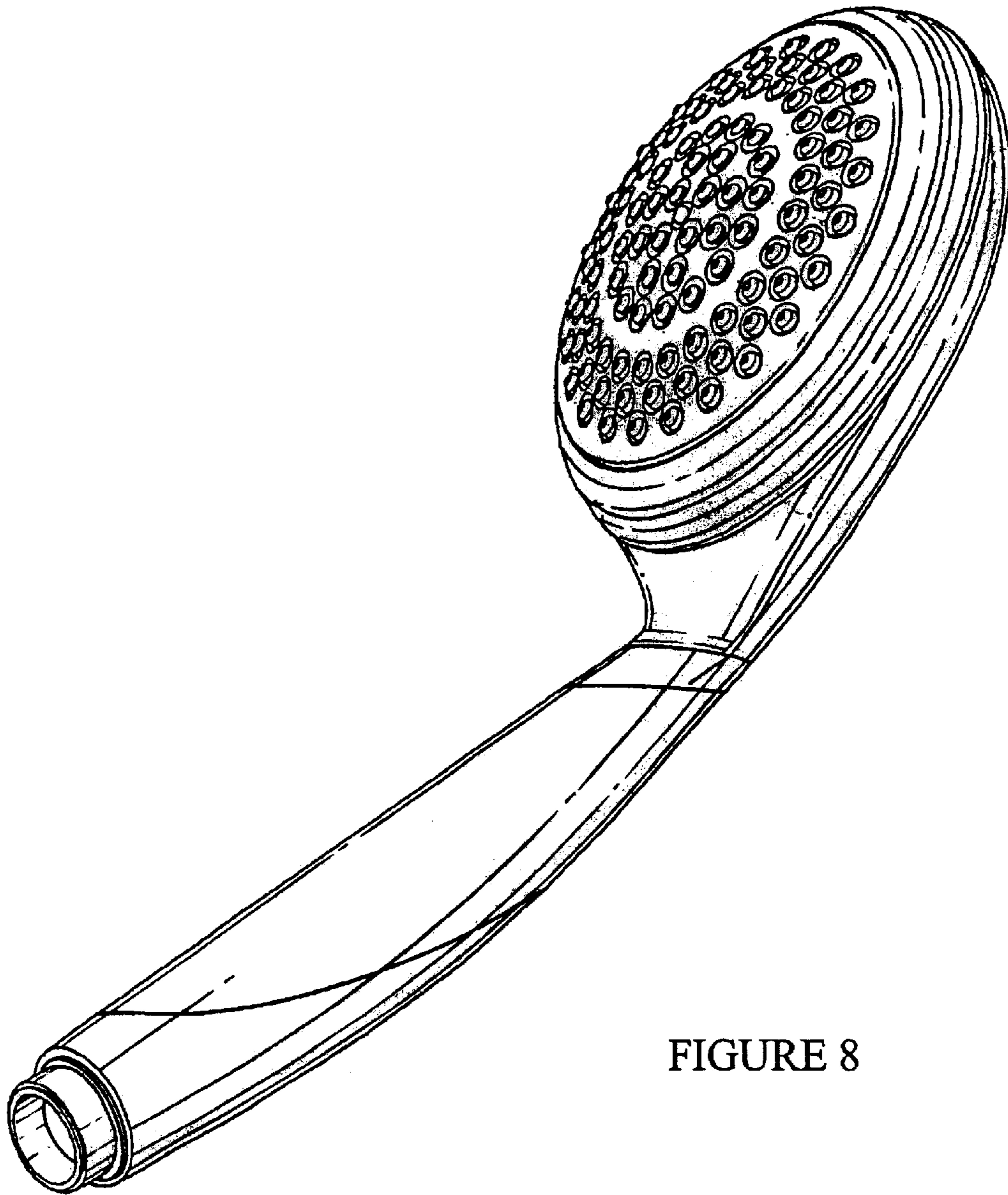


FIGURE 8

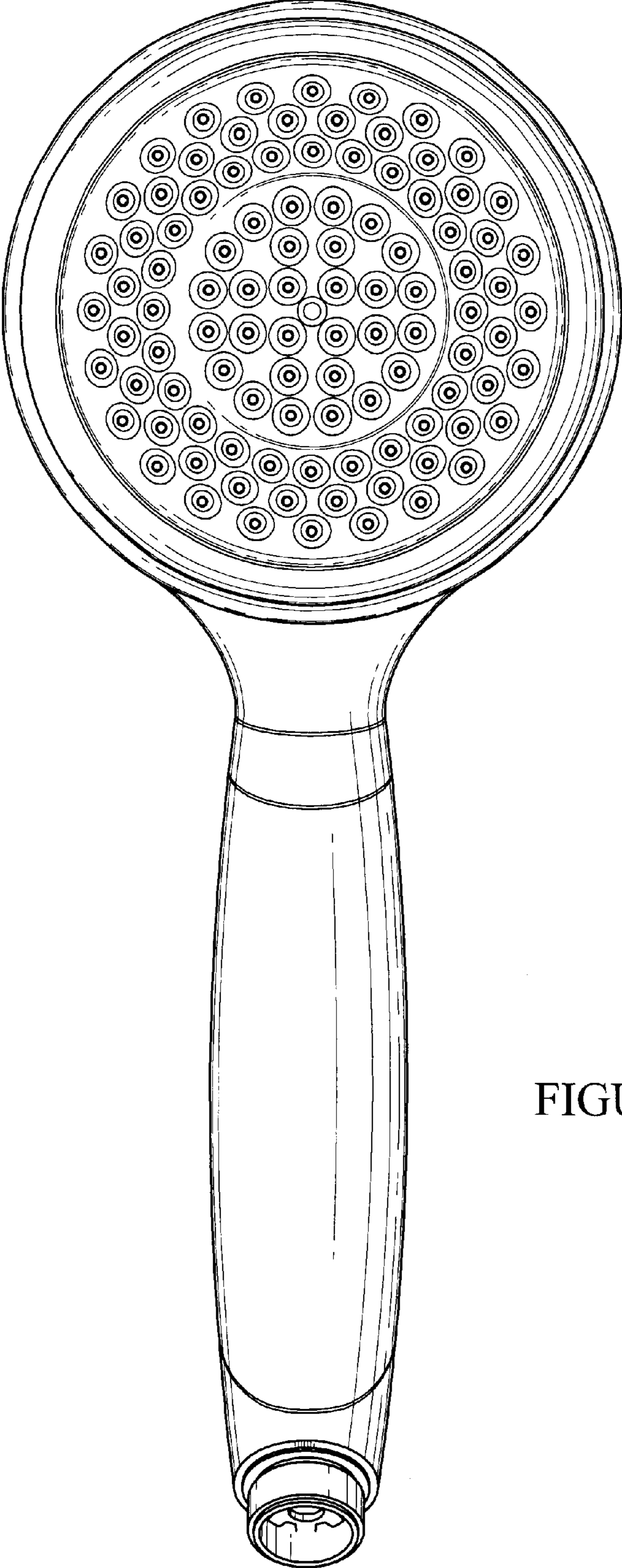


FIGURE 9

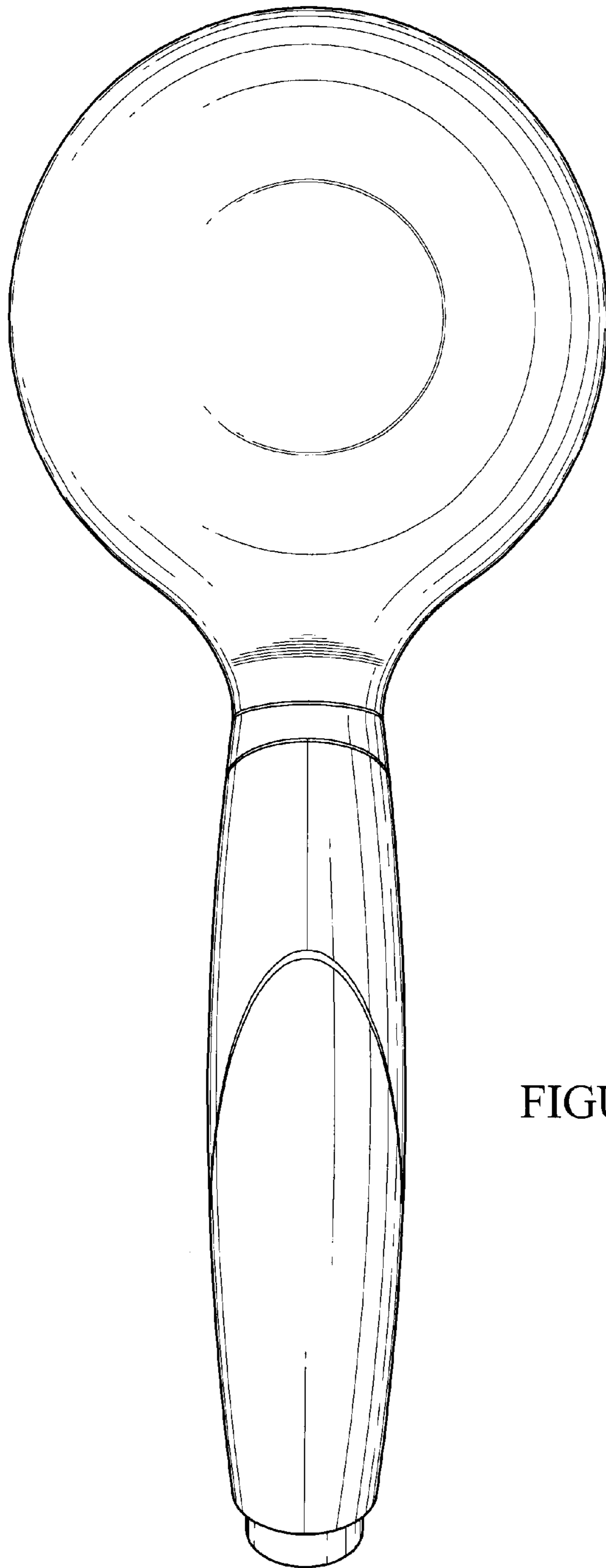


FIGURE 10

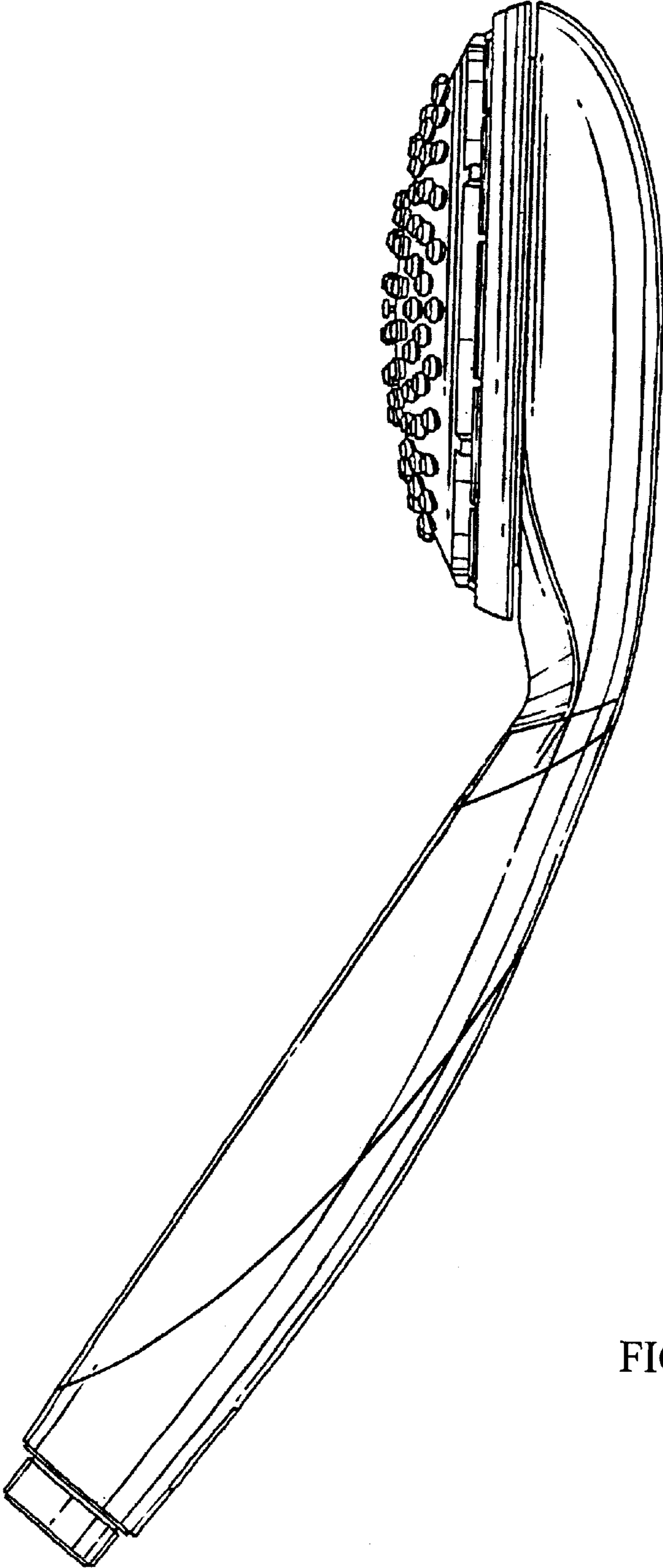


FIGURE 11

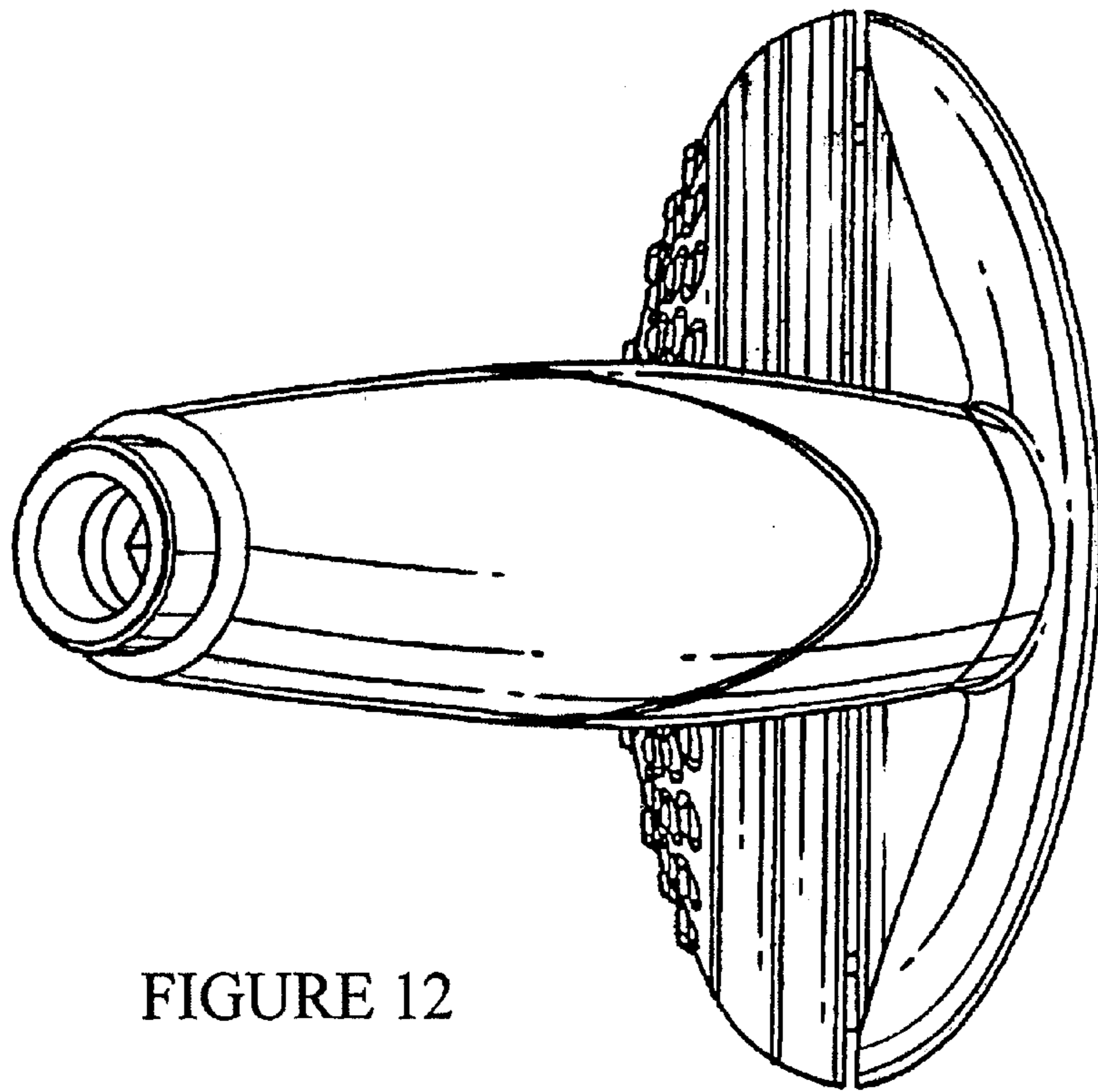


FIGURE 12

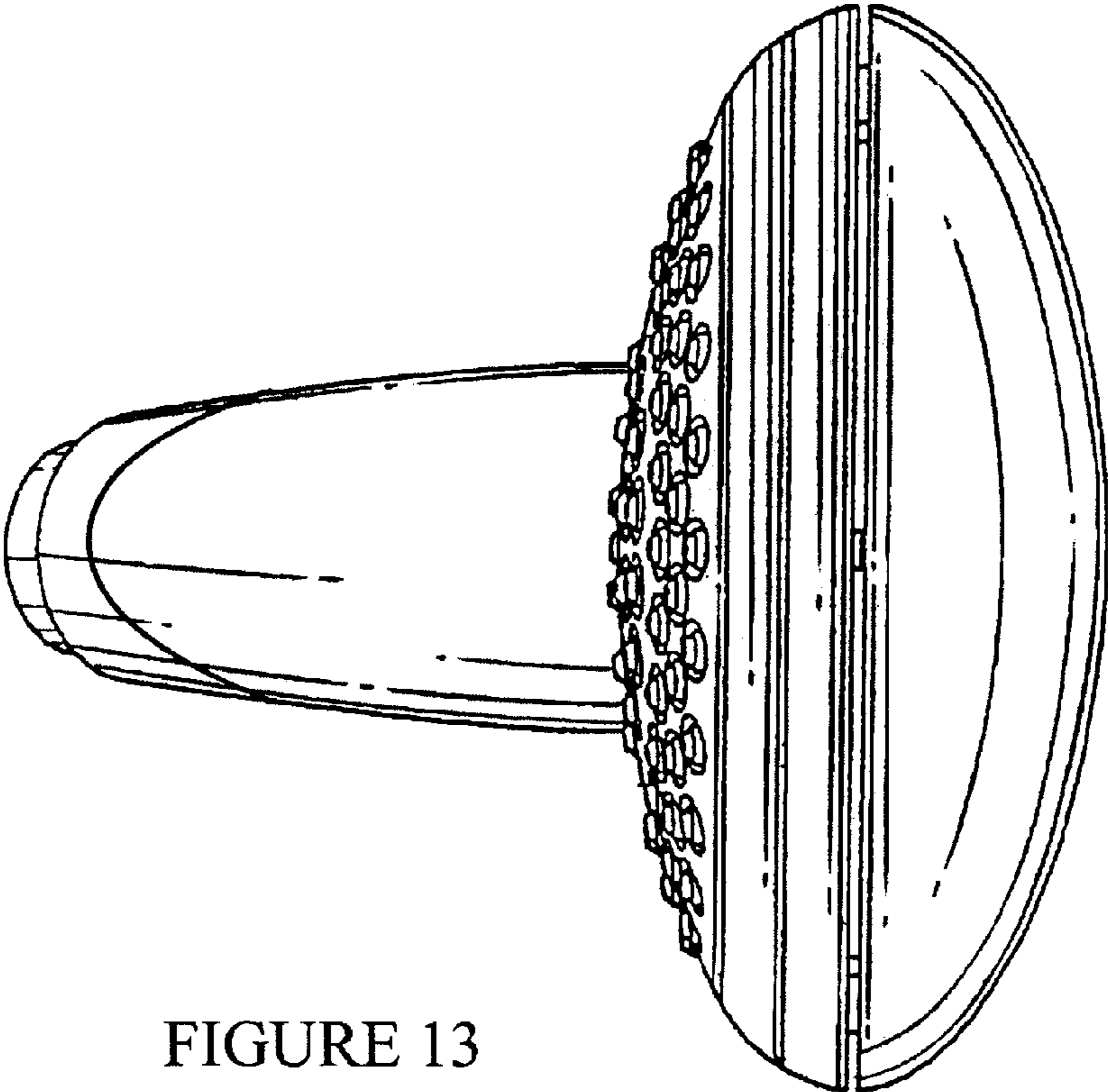


FIGURE 13

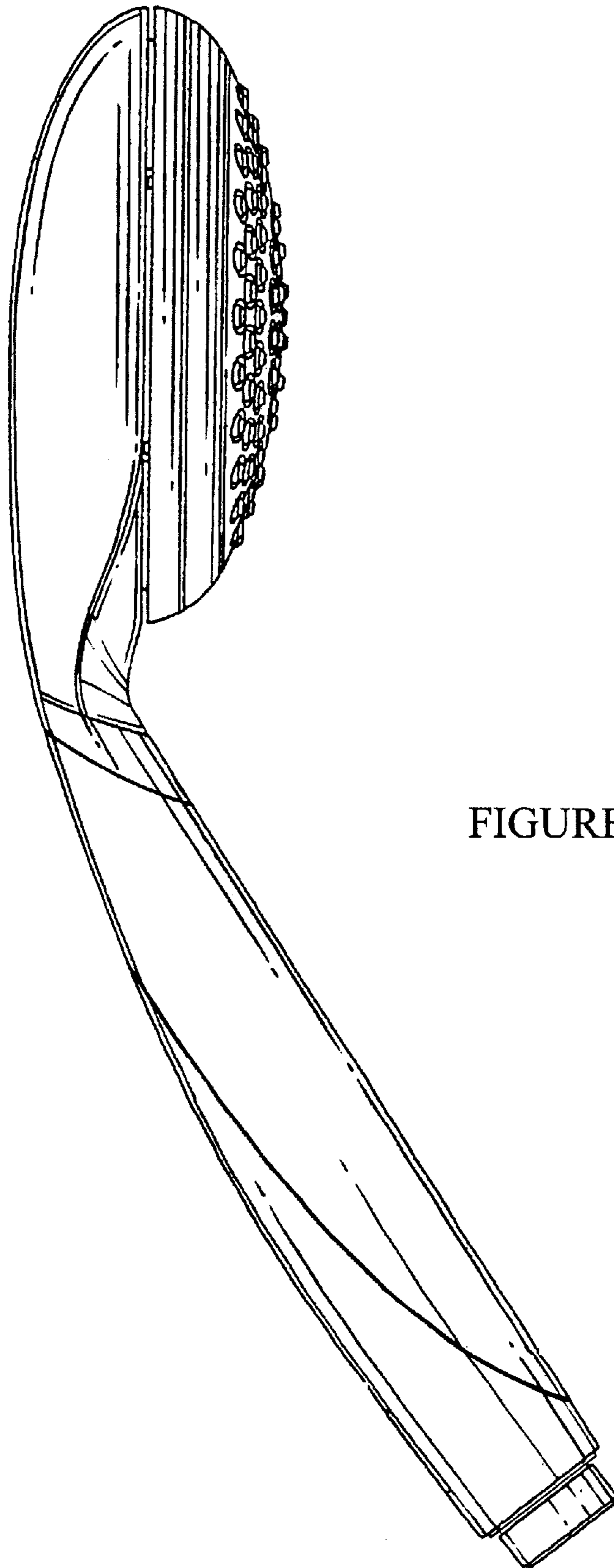


FIGURE 14