



US00D503774S

(12) **United States Design Patent**
Zieger

(10) **Patent No.:** **US D503,774 S**
(45) **Date of Patent:** **** Apr. 5, 2005**

(54) **SHOWER HEAD AND HANDLE**

DESCRIPTION

- (75) Inventor: **Claus D. Zieger**, Industry, CA (US)
- (73) Assignee: **Interbath, Inc.**, City of Industry, CA (US)
- (**) Term: **14 Years**
- (21) Appl. No.: **29/192,118**
- (22) Filed: **Oct. 16, 2003**
- (51) **LOC (7) Cl.** **23-01**
- (52) **U.S. Cl.** **D23/223**
- (58) **Field of Search** D23/213, 223,
D23/226, 230; 239/394, 282, 283

FIG. 1 is a perspective view of a shower head and handle showing a first embodiment of my new design;

FIG. 2 is a top view showing the first embodiment of my new design;

FIG. 3 is a bottom view showing the first embodiment of my new design;

FIG. 4 is a right side view showing the first embodiment of my new design;

FIG. 5 is a rear view showing the first embodiment of my new design;

FIG. 6 is a front side view showing the first embodiment of my new design;

FIG. 7 is a left side view showing the first embodiment of my new design.

FIG. 8 is a perspective view of a shower head and handle showing a second embodiment of my new design;

FIG. 9 is a top view showing the second embodiment of my new design;

FIG. 10 is a bottom view showing the second embodiment of my new design;

FIG. 11 is a right side view showing the second embodiment of my new design;

FIG. 12 is a rear view showing the second embodiment of my new design;

FIG. 13 is a front side view showing the second embodiment of my new design; and,

FIG. 14 is a left side view showing the second embodiment of my new design.

(56) **References Cited**

U.S. PATENT DOCUMENTS

D339,627 S	*	9/1993	Klose	D23/223
D423,110 S	*	4/2000	Cipkowski	D24/225
D424,162 S	*	5/2000	Haug et al.	D23/223
D424,163 S	*	5/2000	Haug et al.	D23/223
D430,643 S	*	9/2000	Tse	D23/223
D432,625 S	*	10/2000	Chan	D23/223
D461,224 S	*	8/2002	Lobermeier	D23/223

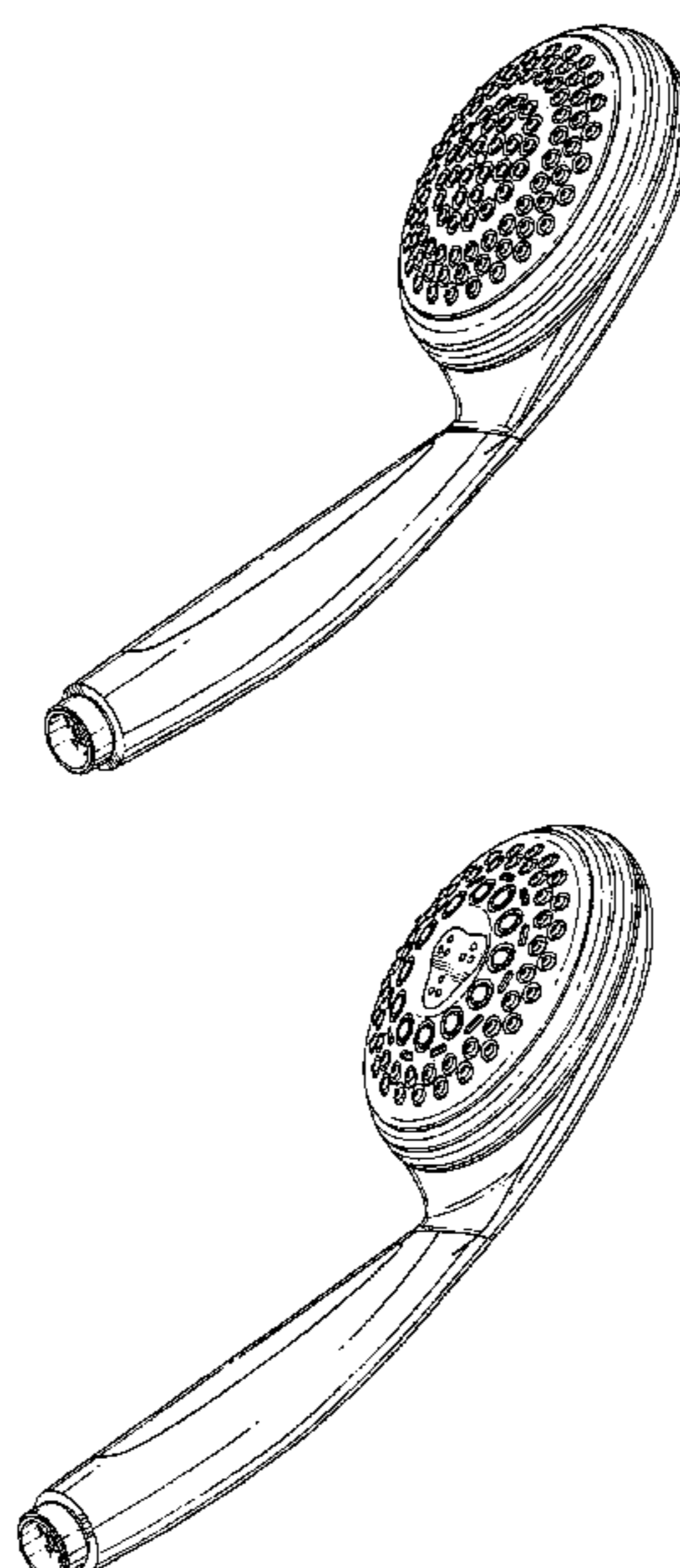
* cited by examiner

Primary Examiner—Robin V. Taylor
(74) *Attorney, Agent, or Firm*—Foley & Lardner LLP

(57) **CLAIM**

The ornamental design for a shower head and handle, as shown and described.

1 Claim, 14 Drawing Sheets



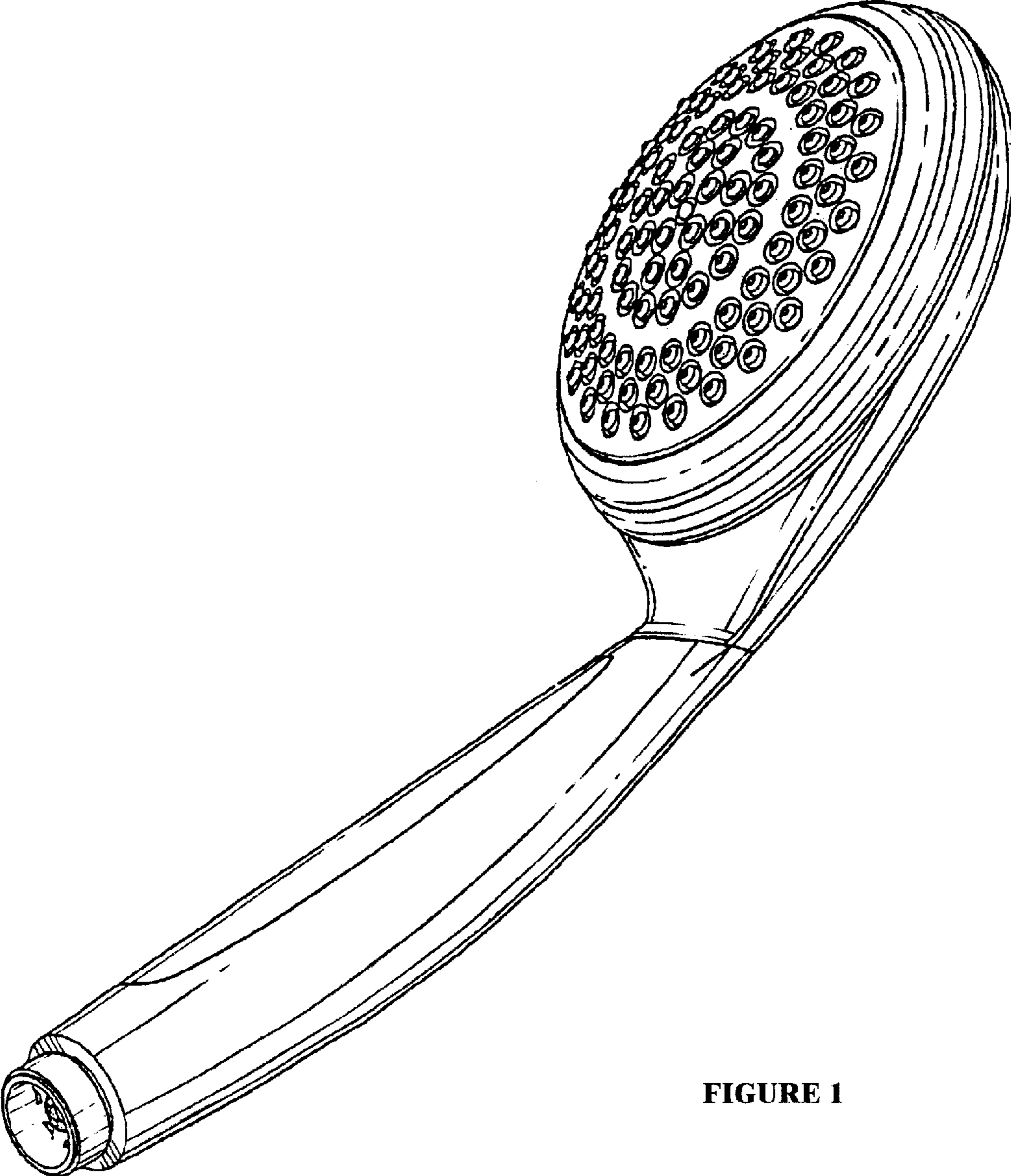


FIGURE 1

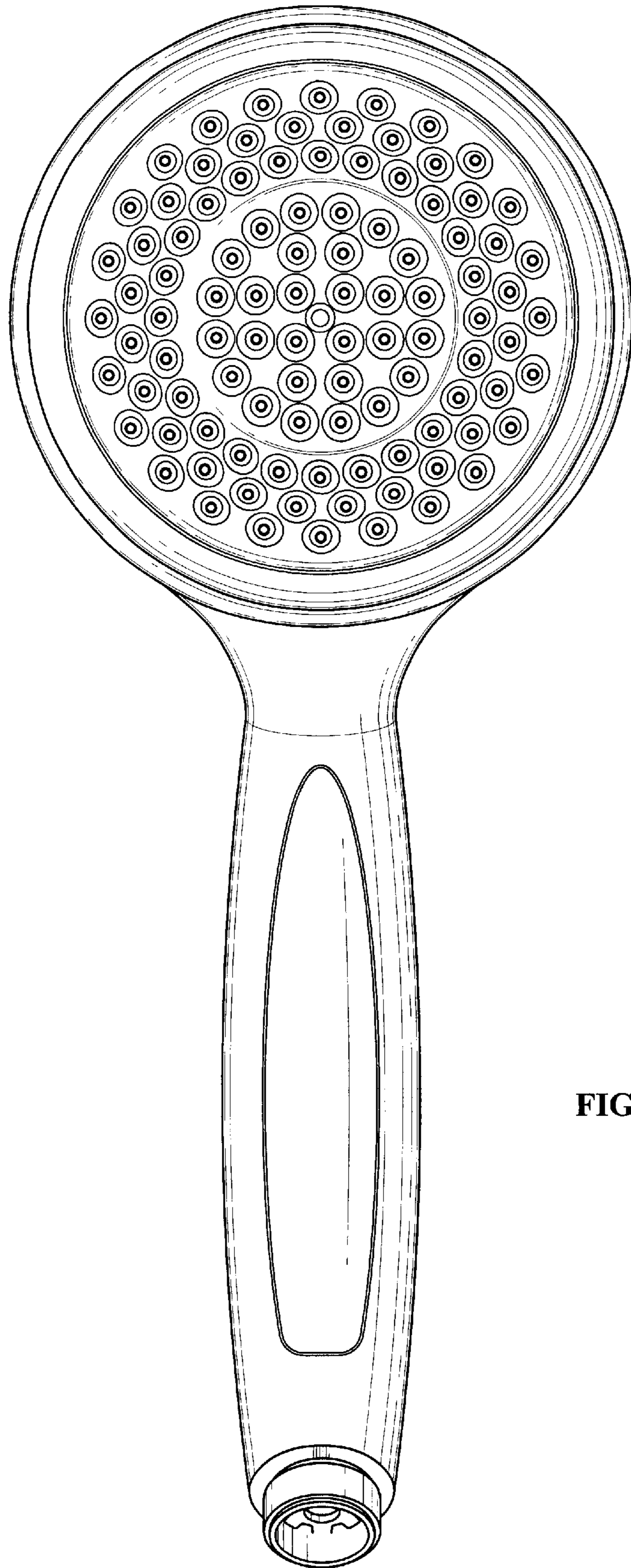


FIGURE 2

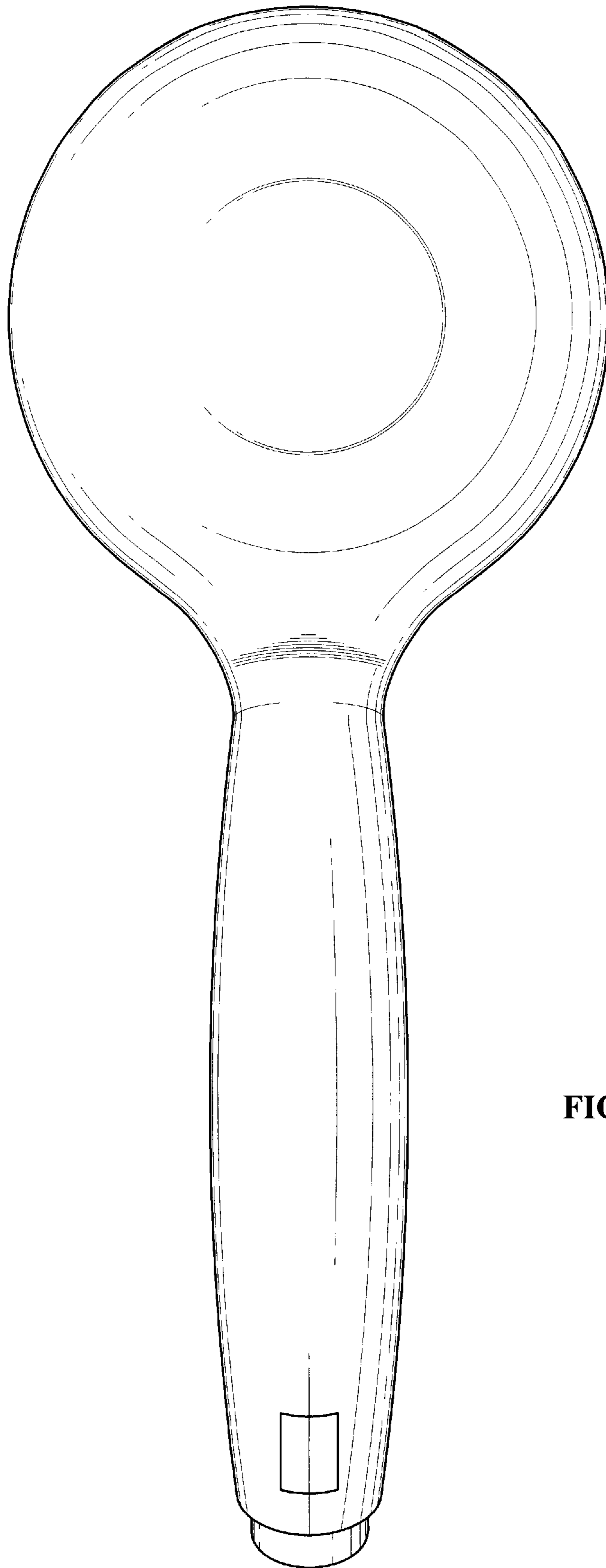


FIGURE 3

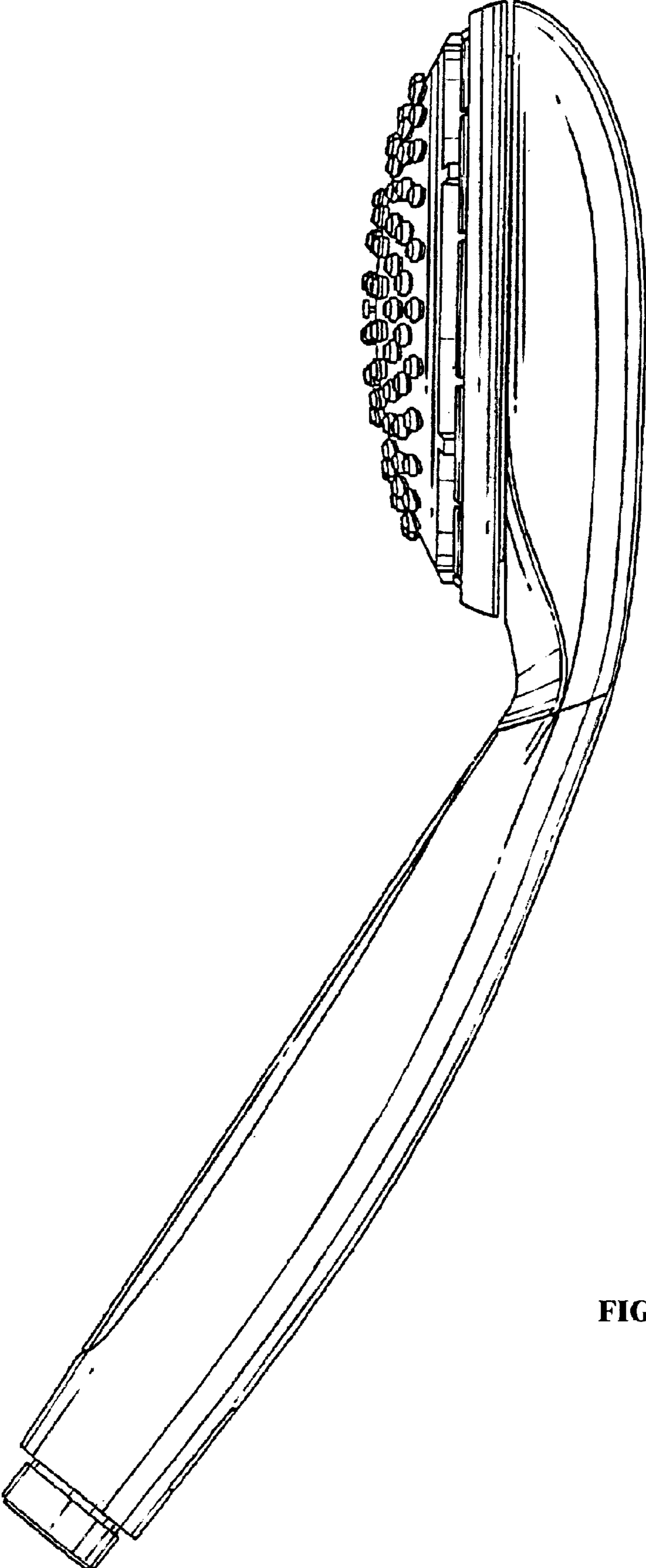


FIGURE 4

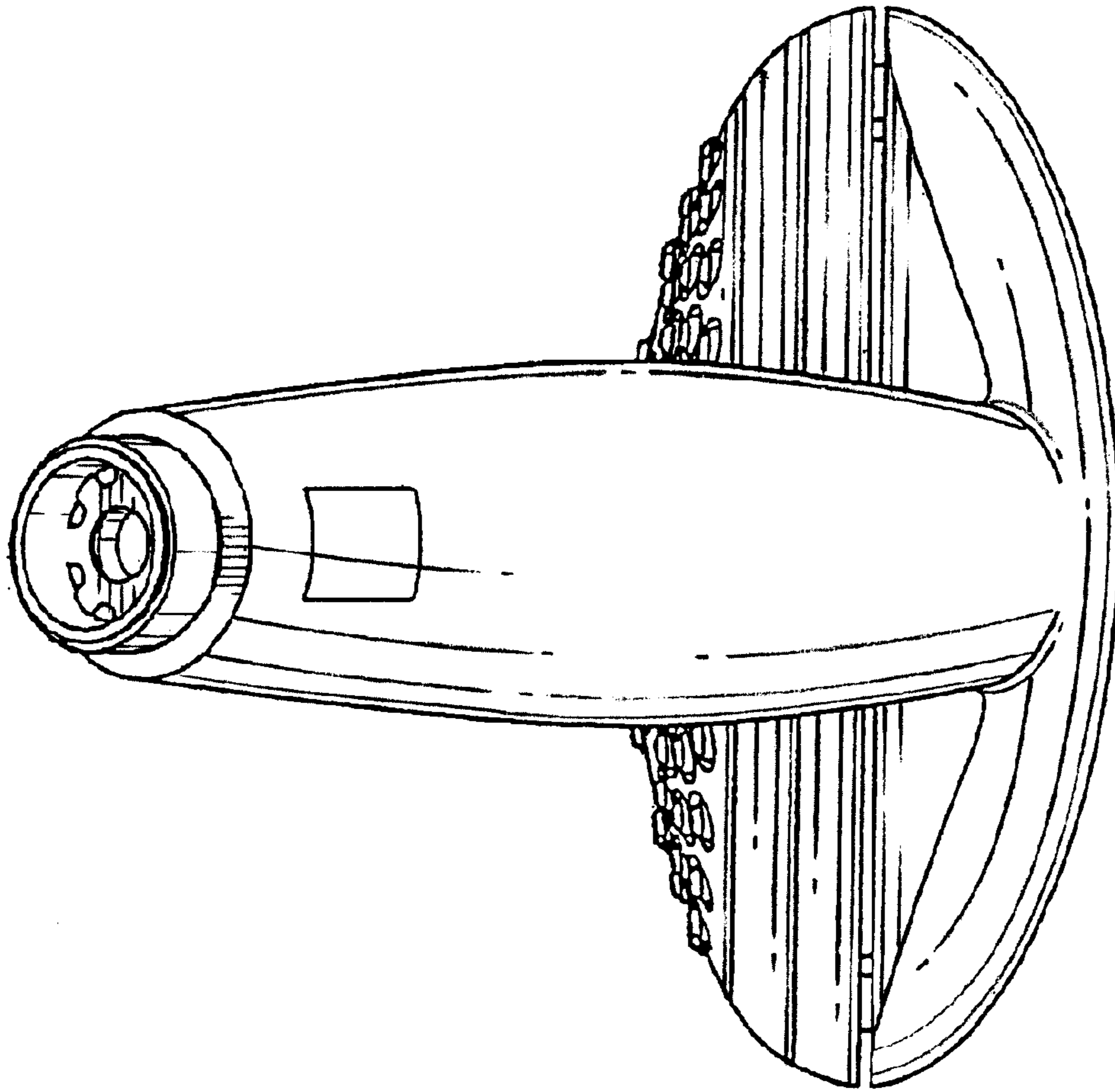


FIGURE 5

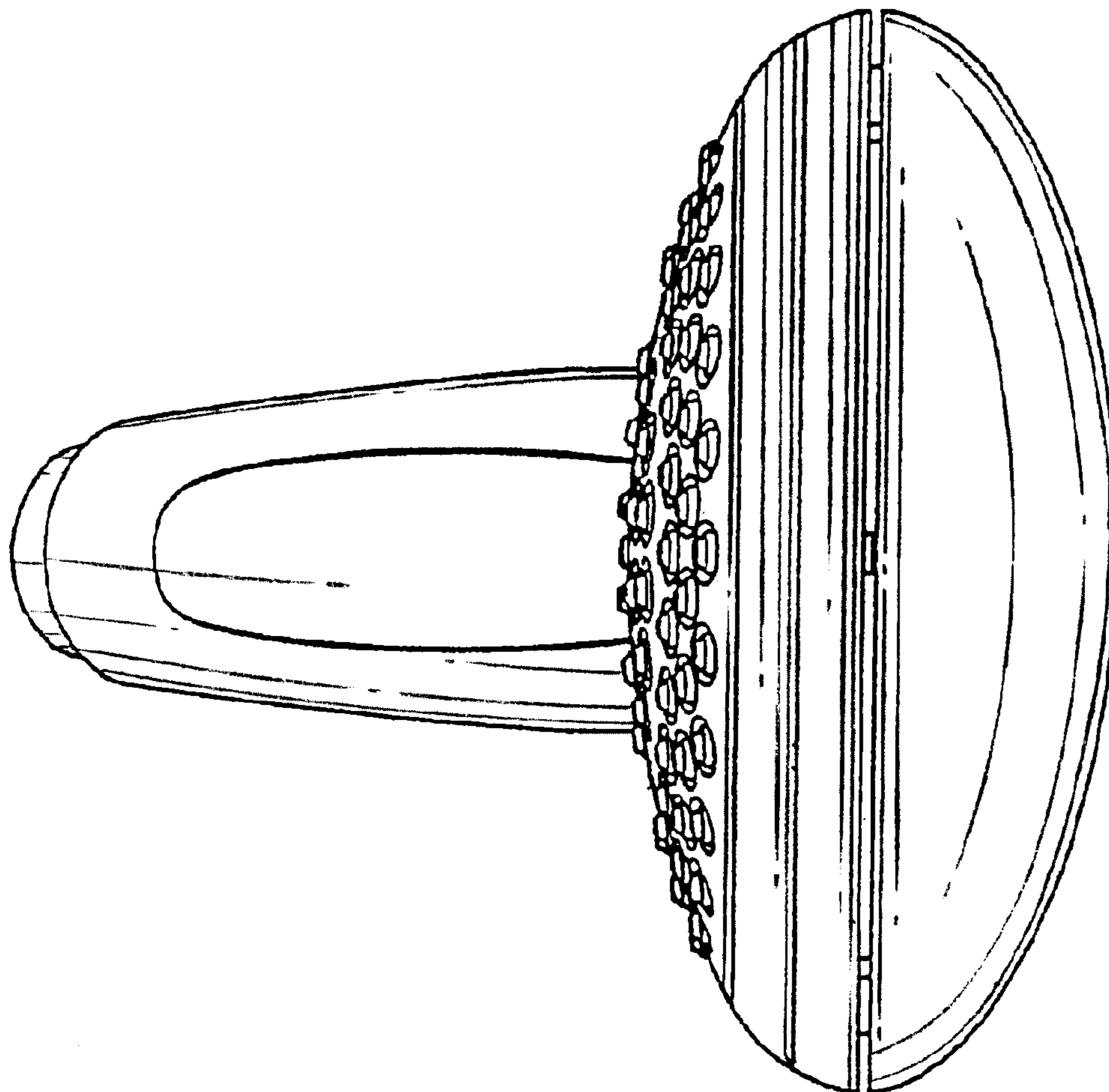


FIGURE 6

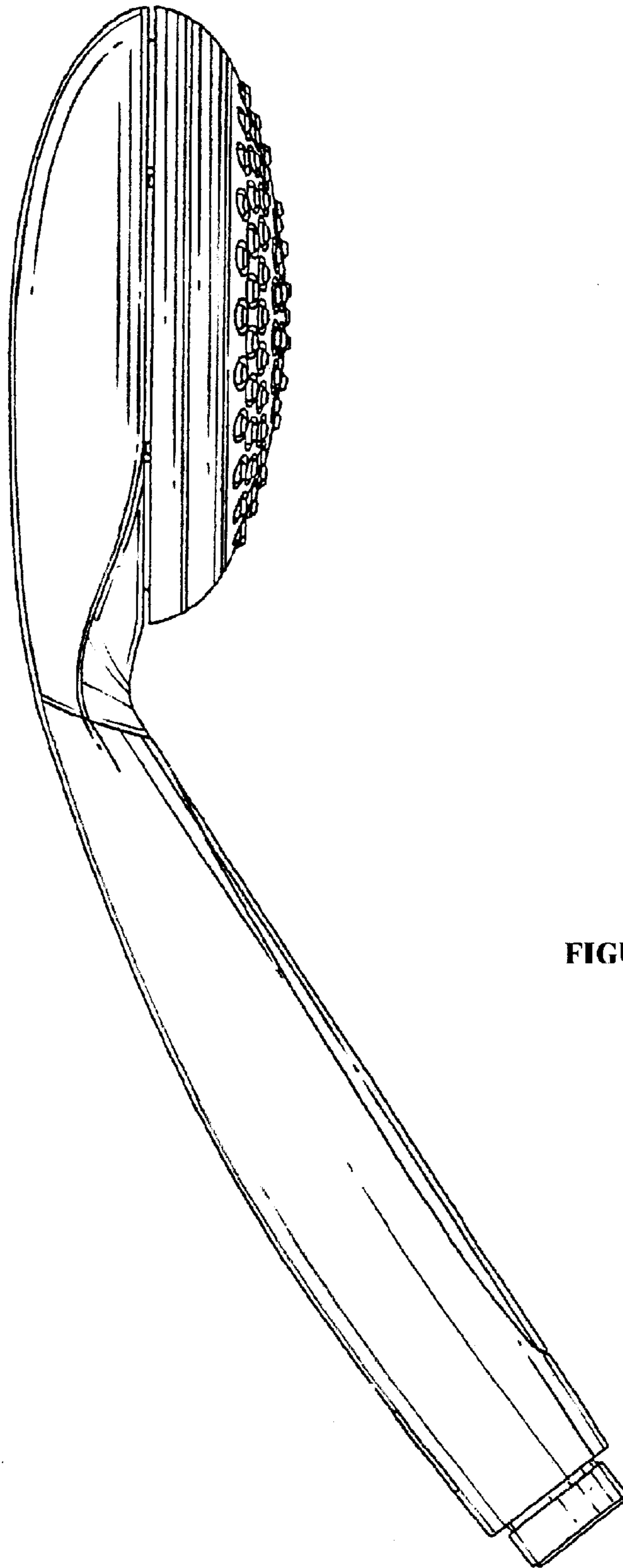


FIGURE 7

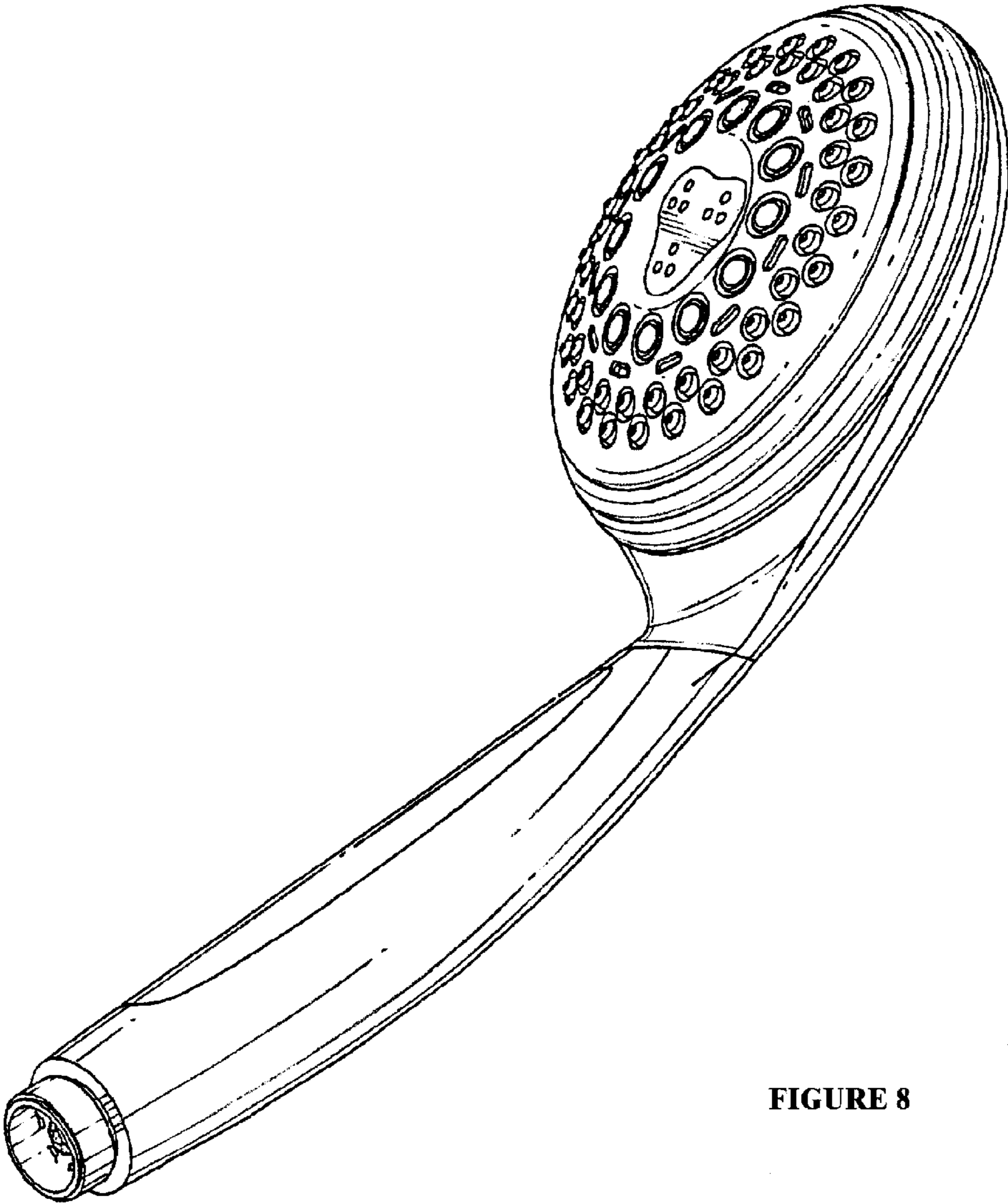


FIGURE 8

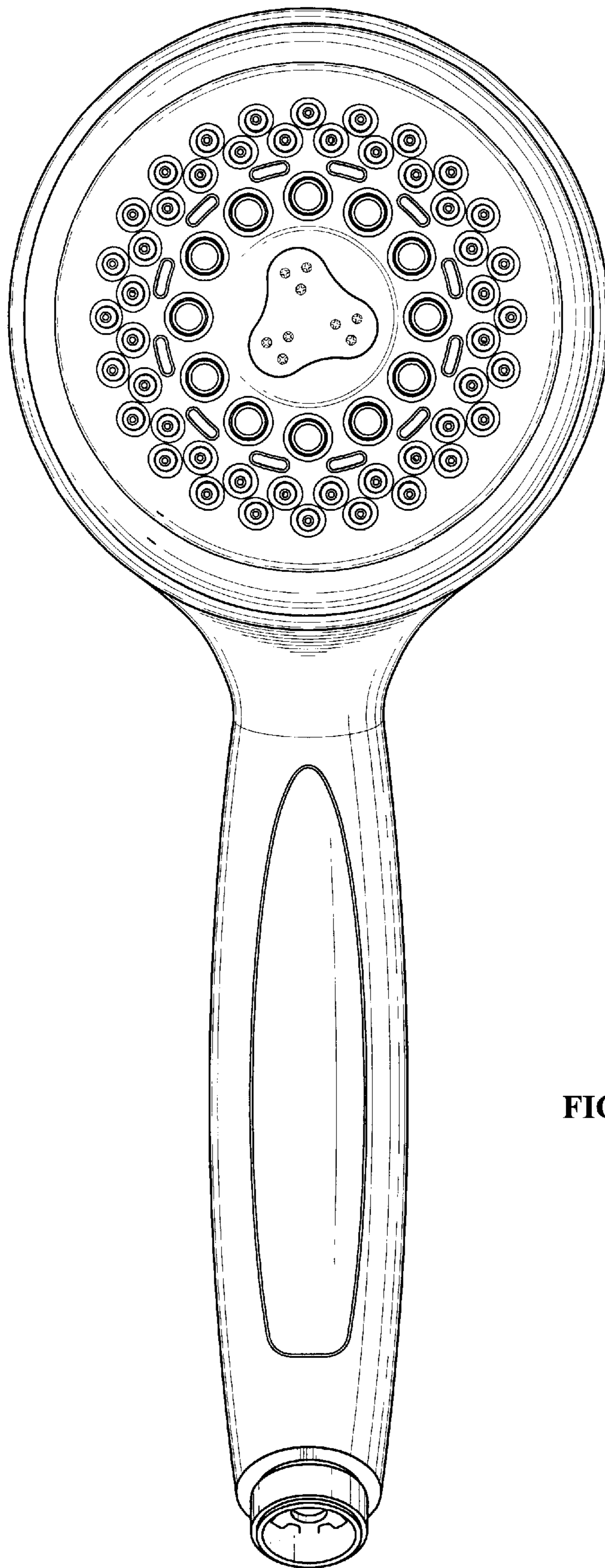


FIGURE 9

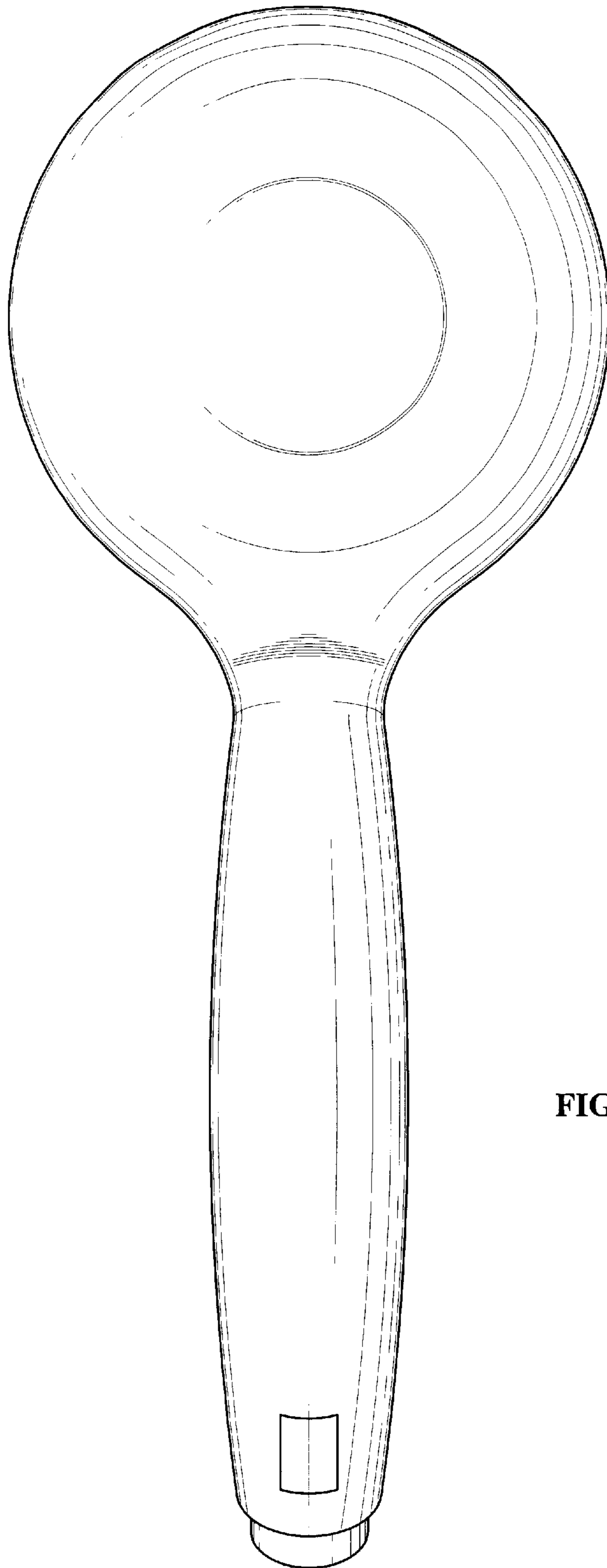


FIGURE 10

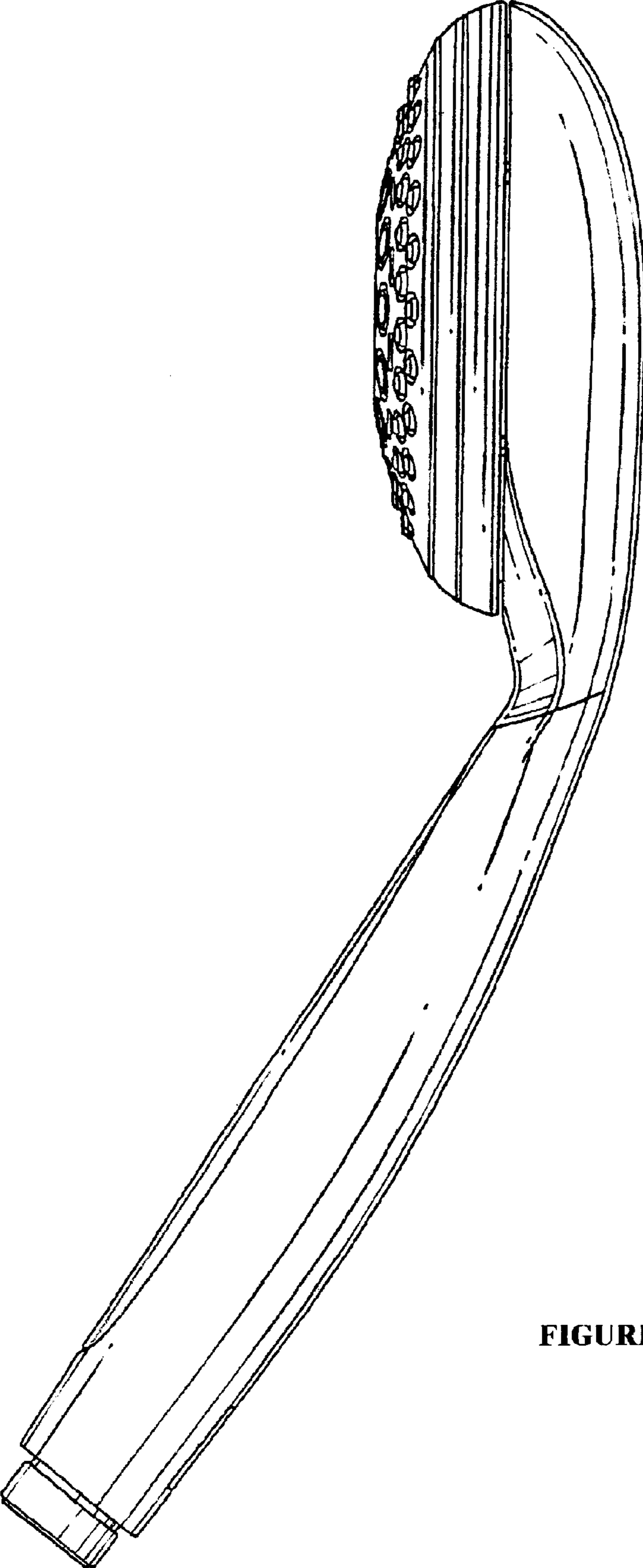


FIGURE 11

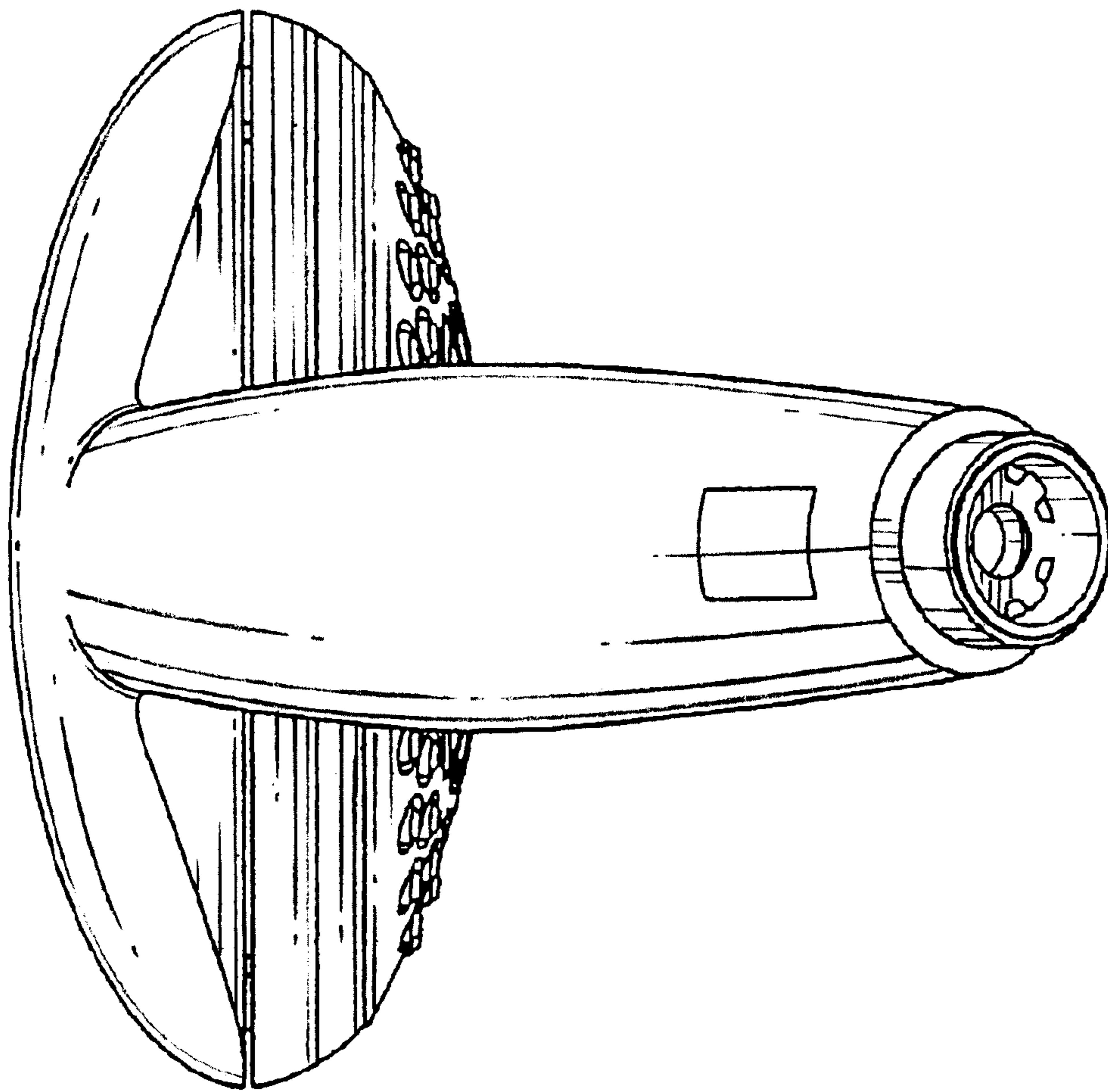


FIGURE 12

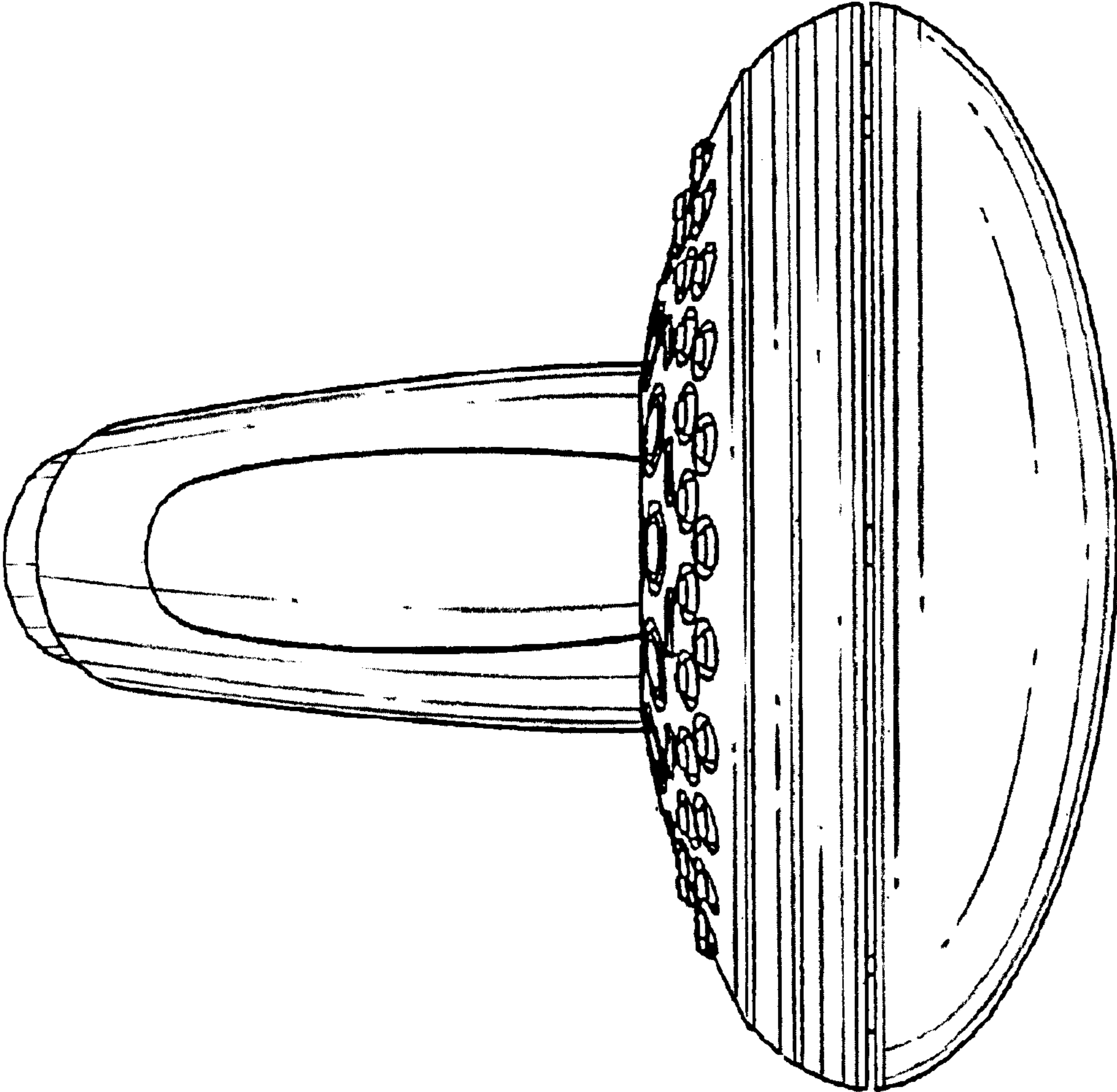


FIGURE 13

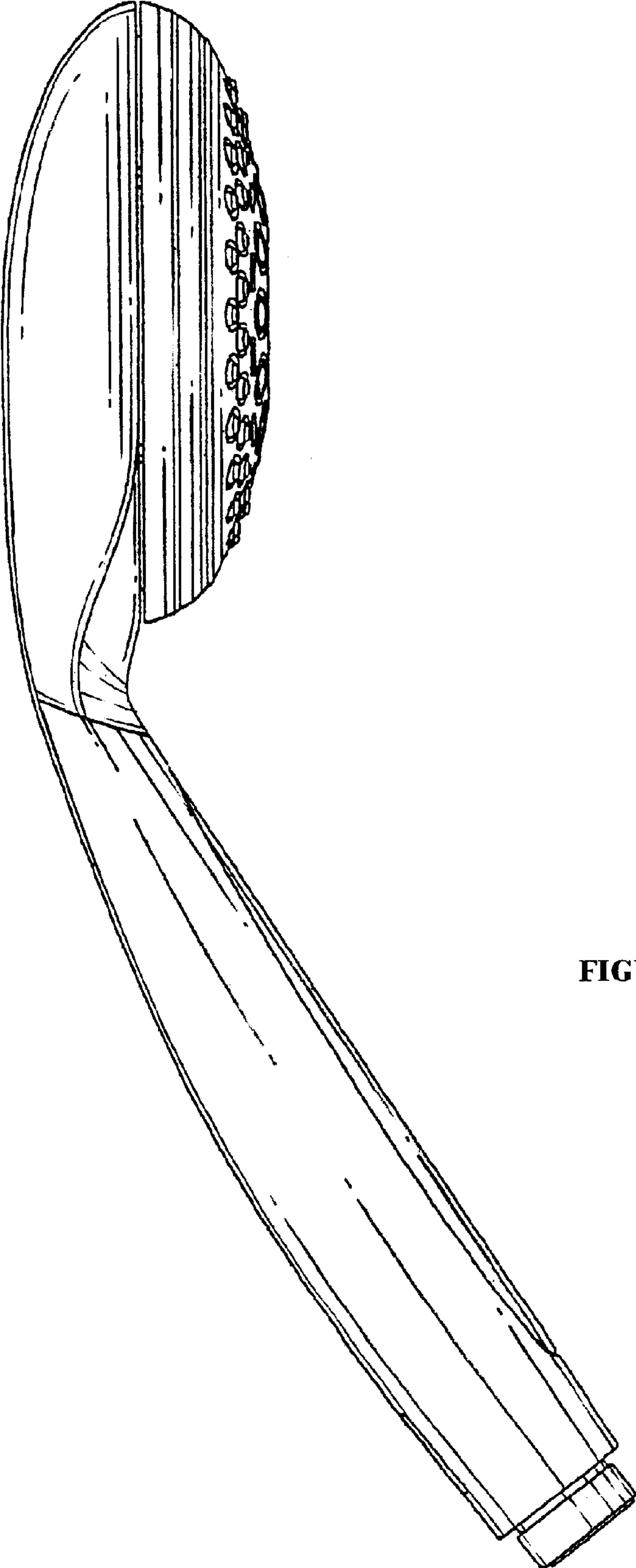


FIGURE 14