

US00D503768S

(12) **United States Design Patent**
Thompson

(10) **Patent No.:** **US D503,768 S**

(45) **Date of Patent:** **** Apr. 5, 2005**

(54) **FISHING ROD HOLDER**

(76) **Inventor:** **Dearl Thompson**, 4574 Tenby Chase,
Loves Park, IL (US) 61111

(**) **Term:** **14 Years**

(21) **Appl. No.:** **29/198,599**

(22) **Filed:** **Jan. 31, 2004**

(51) **LOC (7) Cl.** **22-05**

(52) **U.S. Cl.** **D22/147**

(58) **Field of Search** D22/147, 148,
D22/138-139; 43/21.2, 16-17; 248/530-532

(56) **References Cited**

U.S. PATENT DOCUMENTS

1,577,612 A *	3/1926	Dees	248/532
3,156,997 A *	11/1964	Smith	43/17
D342,301 S *	12/1993	Lippstock	D22/147
D478,649 S *	8/2003	Stuedeman et al.	D22/147
D485,601 S *	1/2004	Bertram	D22/147
2002/0162270 A1 *	11/2002	Fayerman et al.	43/17

* cited by examiner

Primary Examiner—Catherine R. Oliver
(74) *Attorney, Agent, or Firm*—Keith Frantz

(57) **CLAIM**

The ornamental design for a fishing rod holder, as shown and described.

DESCRIPTION

FIG. 1 is a side elevation view showing my new design as installed into the ground, and a fragmentary portion of a fishing rod in dashed lines, the fishing rod being shown for illustrative environmental purposes and forms no part of the claimed invention

FIG. 2 is a perspective view showing my new design.

FIG. 3 is a top plan view thereof.

FIG. 4 side elevation view thereof, the opposite side elevation view being a mirror image thereof.

FIG. 5 is a bottom plan view thereof.

FIG. 6 a rear elevation view thereof; and,

FIG. 7 is a front elevation view thereof.

1 Claim, 4 Drawing Sheets

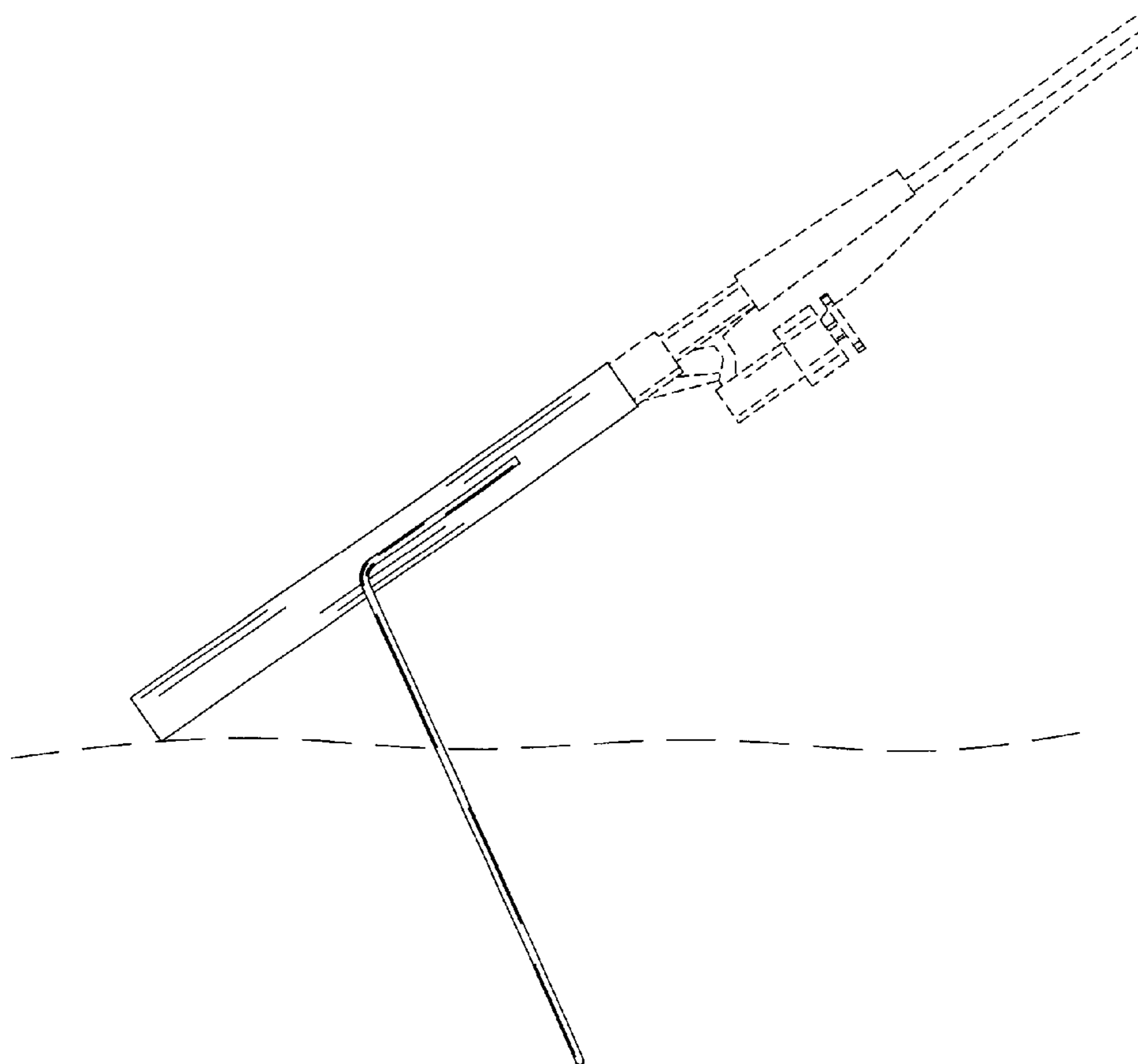


FIG. 1

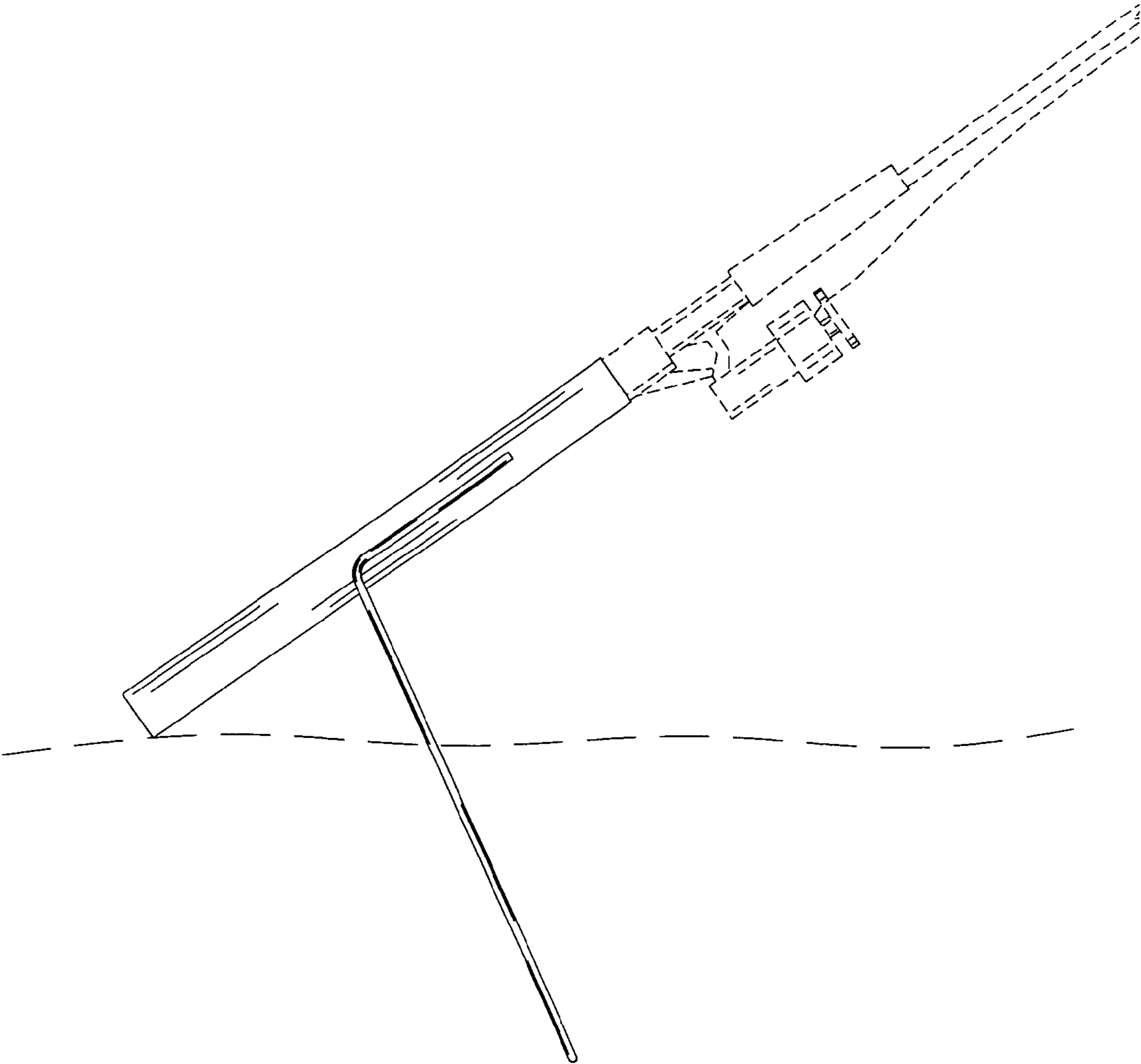


FIG. 2

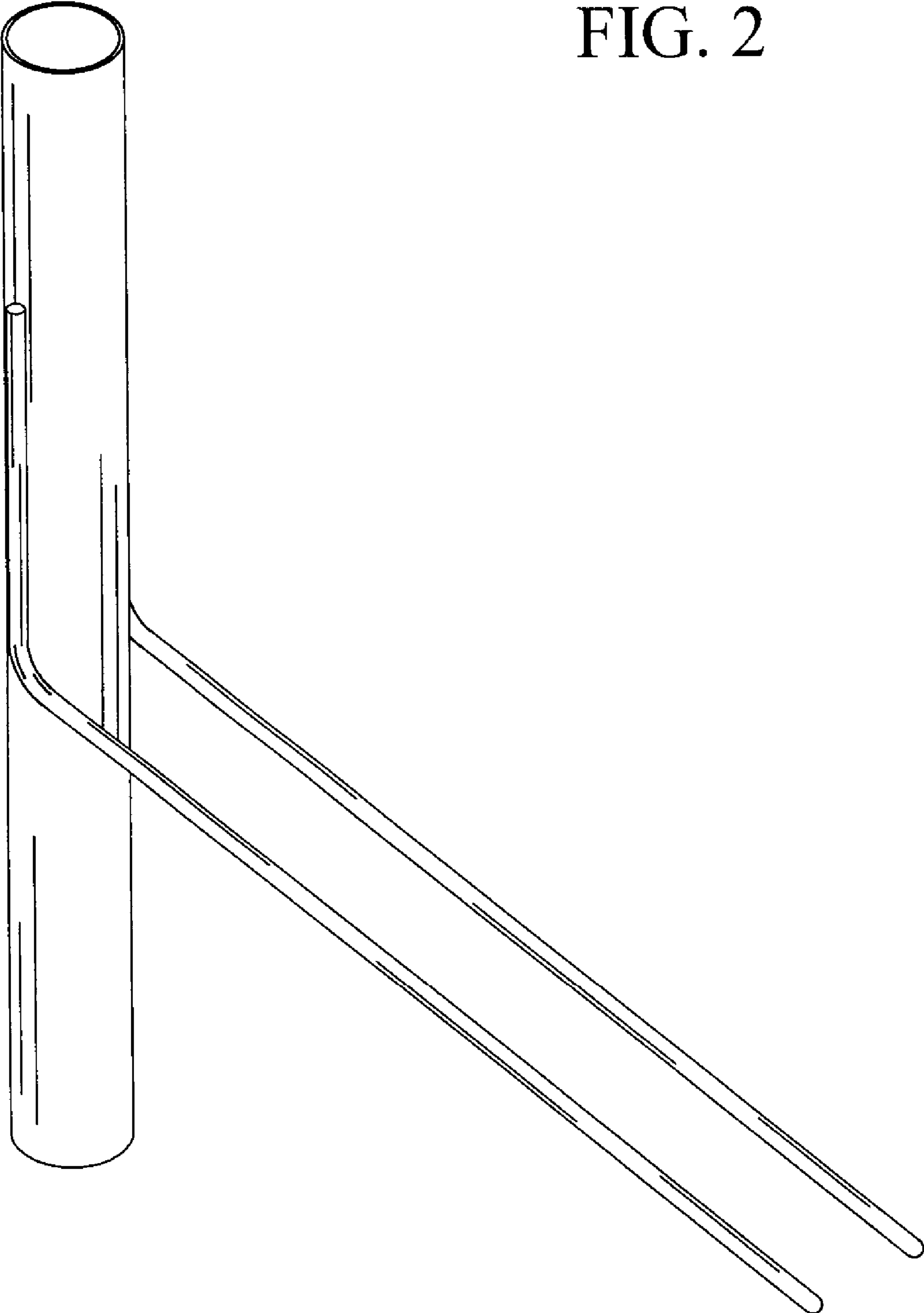


FIG. 3

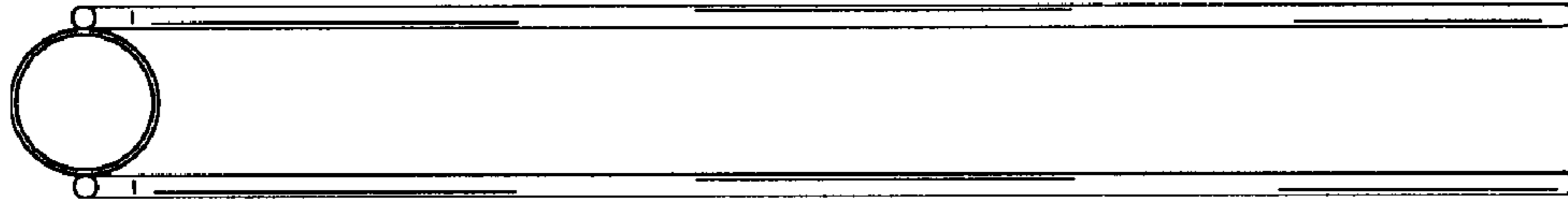


FIG. 4

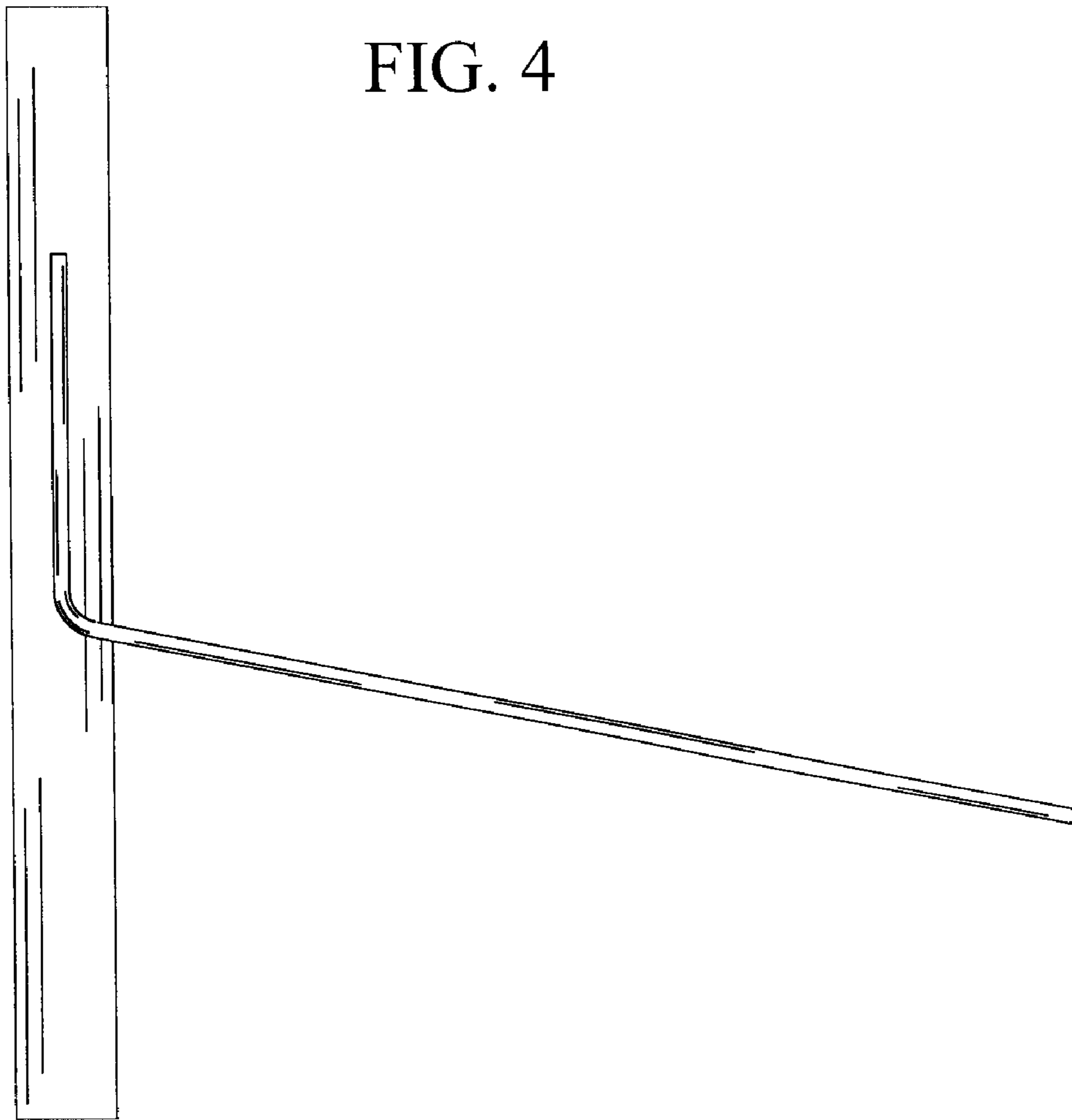


FIG. 5



FIG. 6

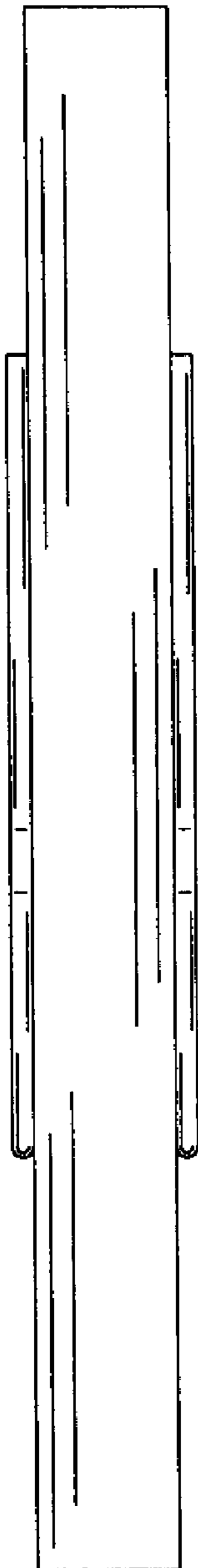


FIG. 7

