

US00D503767S

(12) **United States Design Patent**
Quinnan

(10) **Patent No.:** **US D503,767 S**

(45) **Date of Patent:** **** Apr. 5, 2005**

(54) **GUN SUPPORT**

(76) **Inventor:** **Timothy Quinnan**, 525 Burbank St.
P.O. Box 445, Broomfield, CO (US)
80038-0445

(**) **Term:** **14 Years**

(21) **Appl. No.:** **29/195,569**

(22) **Filed:** **Dec. 12, 2003**

(51) **LOC (7) Cl.** **22-01**

(52) **U.S. Cl.** **D22/108**

(58) **Field of Search** D22/100, 108,
D22/199; D6/552; 42/94, 172; 89/37.04;
211/64, 89; 248/118.3, 118.1, 354.6, 171

(56) **References Cited**

U.S. PATENT DOCUMENTS

| | | |
|-------------|---------|-----------------|
| 1,890,423 A | 12/1932 | Teagarden |
| 3,225,656 A | 12/1965 | Flaherty et al. |
| D313,886 S | 1/1991 | Southard |
| 5,180,874 A | 1/1993 | Troncoso, Jr. |
| 5,410,835 A | 5/1995 | Vetter |
| 5,438,786 A | 8/1995 | Hilderbrand |
| D375,538 S | 11/1996 | Minneman |

| | | | | | |
|--------------|---|---------|---------------|-------|---------|
| D378,123 S | * | 2/1997 | Warshawsky | | D23/242 |
| D378,326 S | * | 3/1997 | Goodner | | D6/320 |
| 5,819,463 A | | 10/1998 | Amos | | |
| D411,280 S | * | 6/1999 | Van Ek et al. | | D22/108 |
| 6,789,109 B2 | * | 9/2004 | Samra et al. | | 709/220 |

* cited by examiner

Primary Examiner—Louis S. Zarfes

Assistant Examiner—Melanie Levy

(74) *Attorney, Agent, or Firm*—Boyd D. Cox

(57) **CLAIM**

The ornamental design of a gun support, as shown.

DESCRIPTION

FIG. 1 is a front top perspective view of the gun support of the present invention;

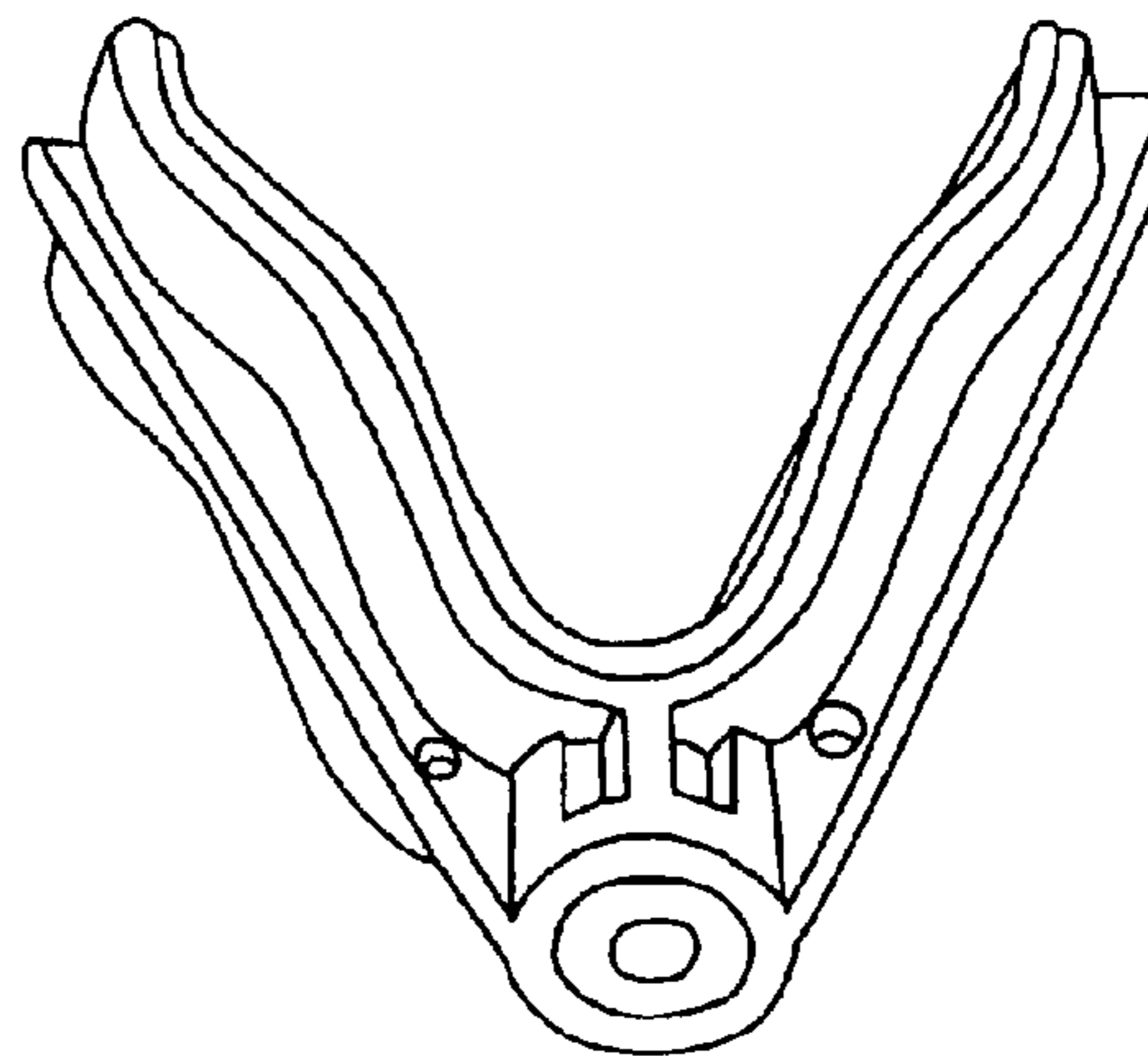
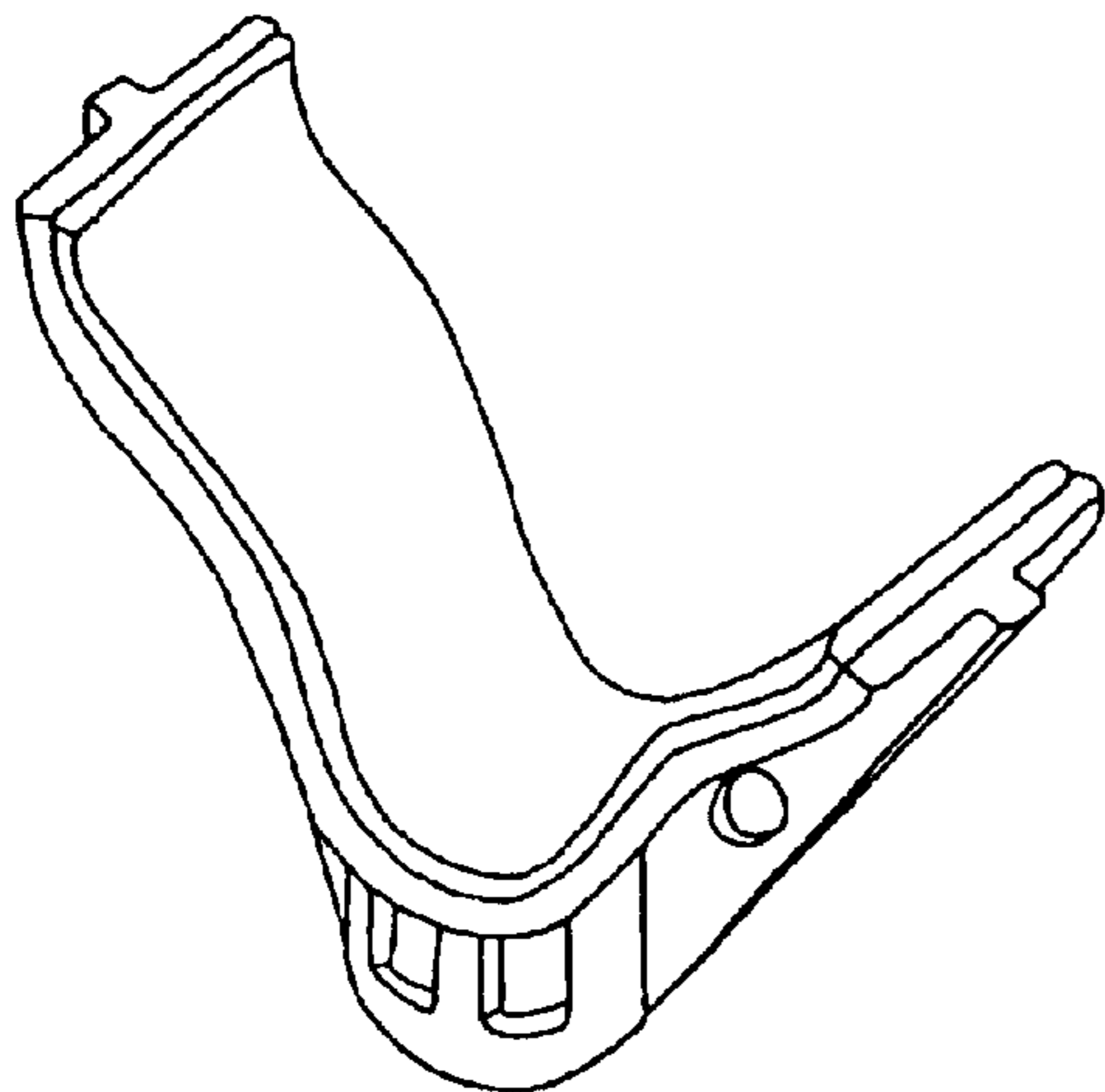
FIG. 2 is a front bottom perspective view of the gun support of FIG. 1;

FIG. 3 is a front elevational view of the gun support of FIG. 1, the back elevational view being identical thereto;

FIG. 4 is a right side elevational view of the gun support of FIG. 1, the left side elevational view being identical thereto;

FIG. 5 is a top plan view of the gun support of FIG. 1; and, FIG. 6 is a bottom plan view of the gun support of FIG. 1.

1 Claim, 3 Drawing Sheets



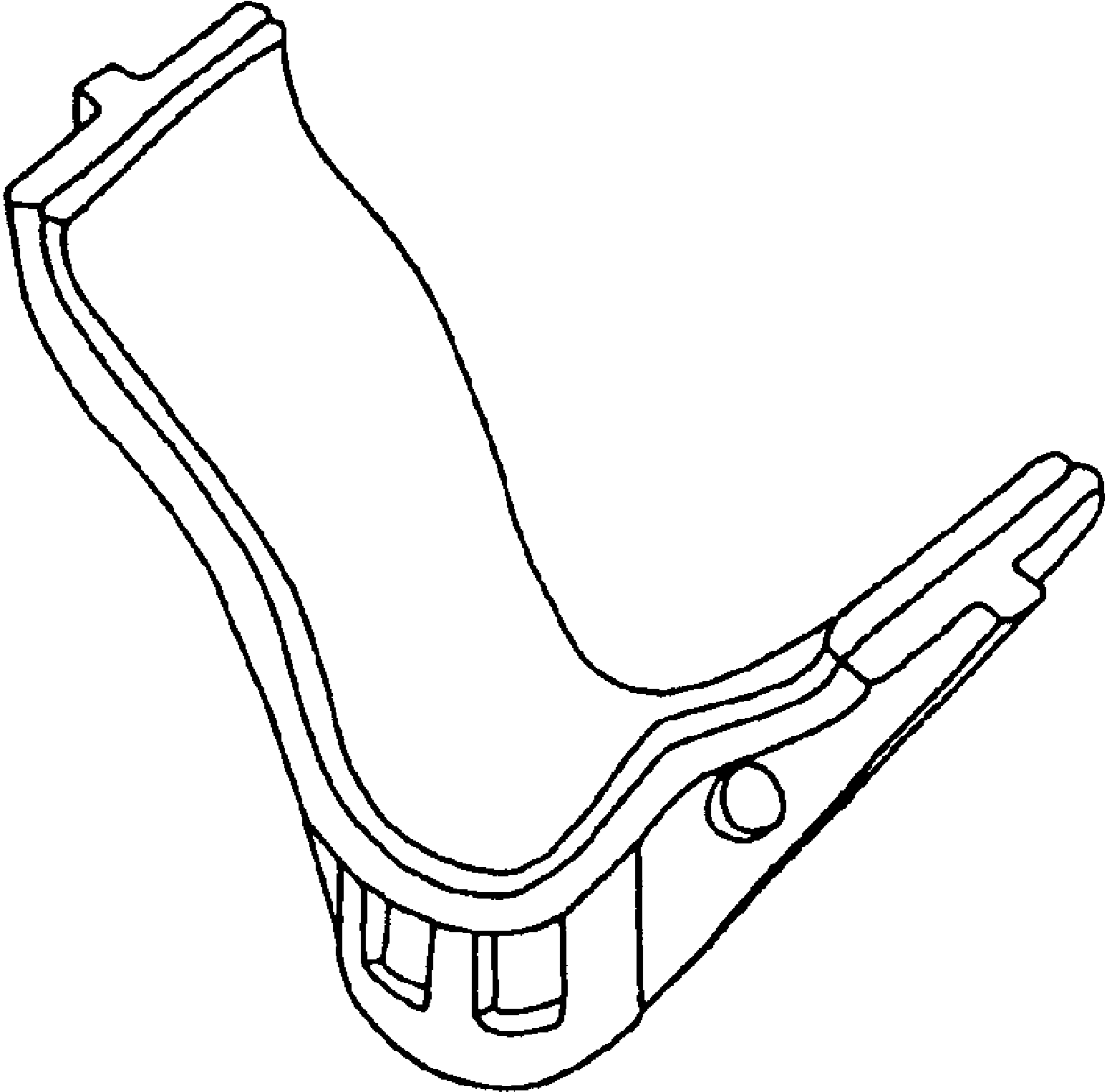


FIG. 1

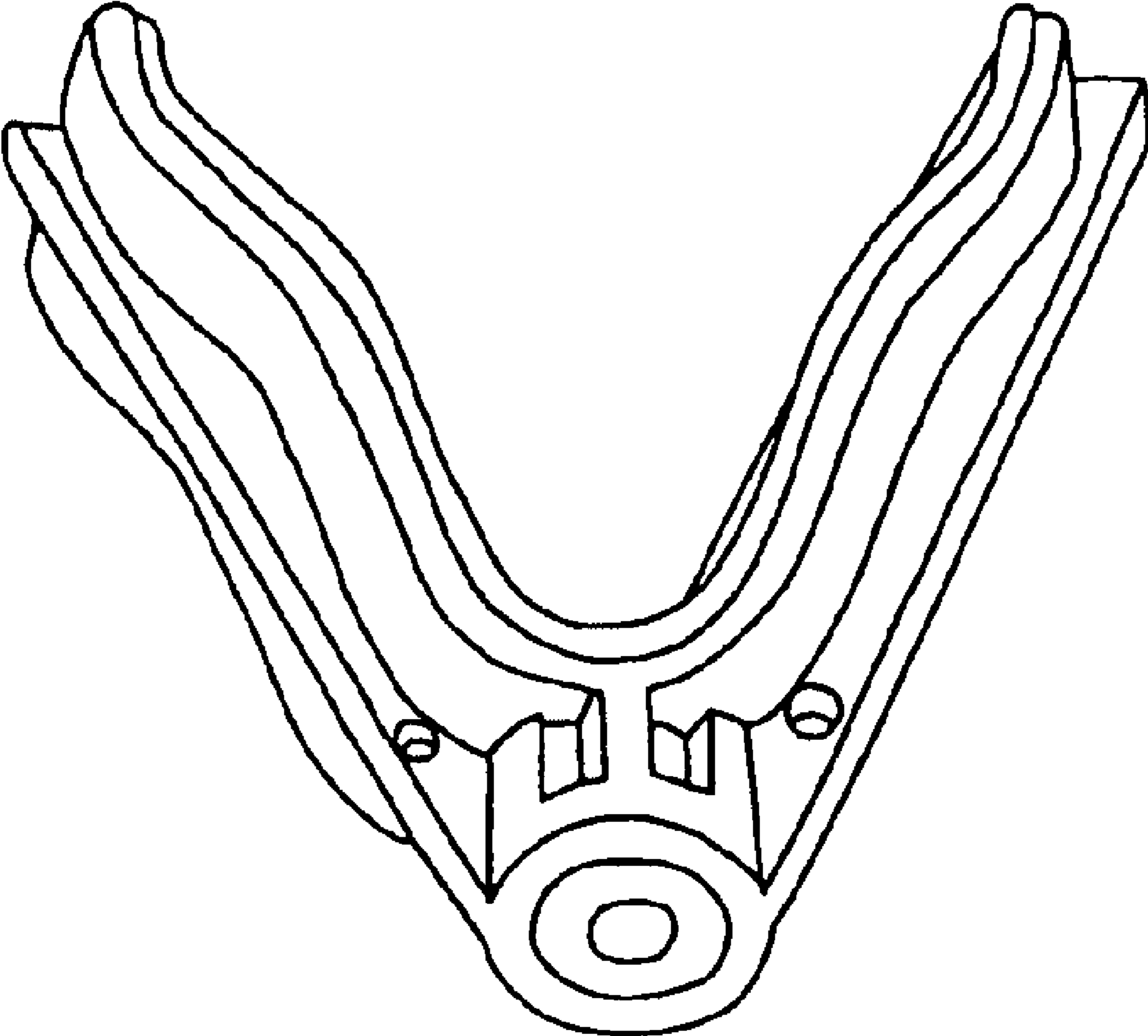


FIG. 2

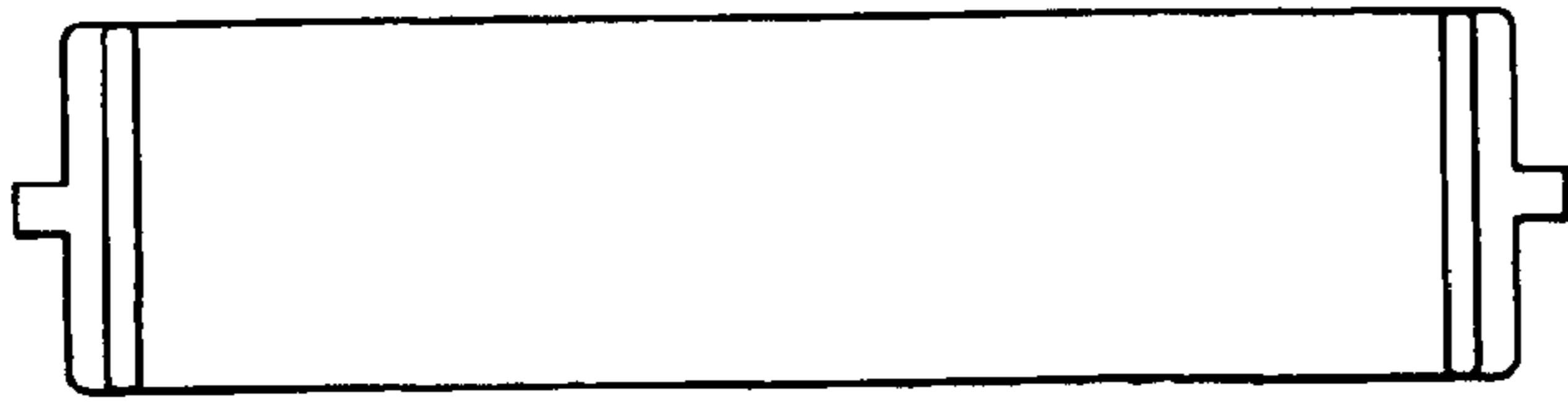


FIG. 5

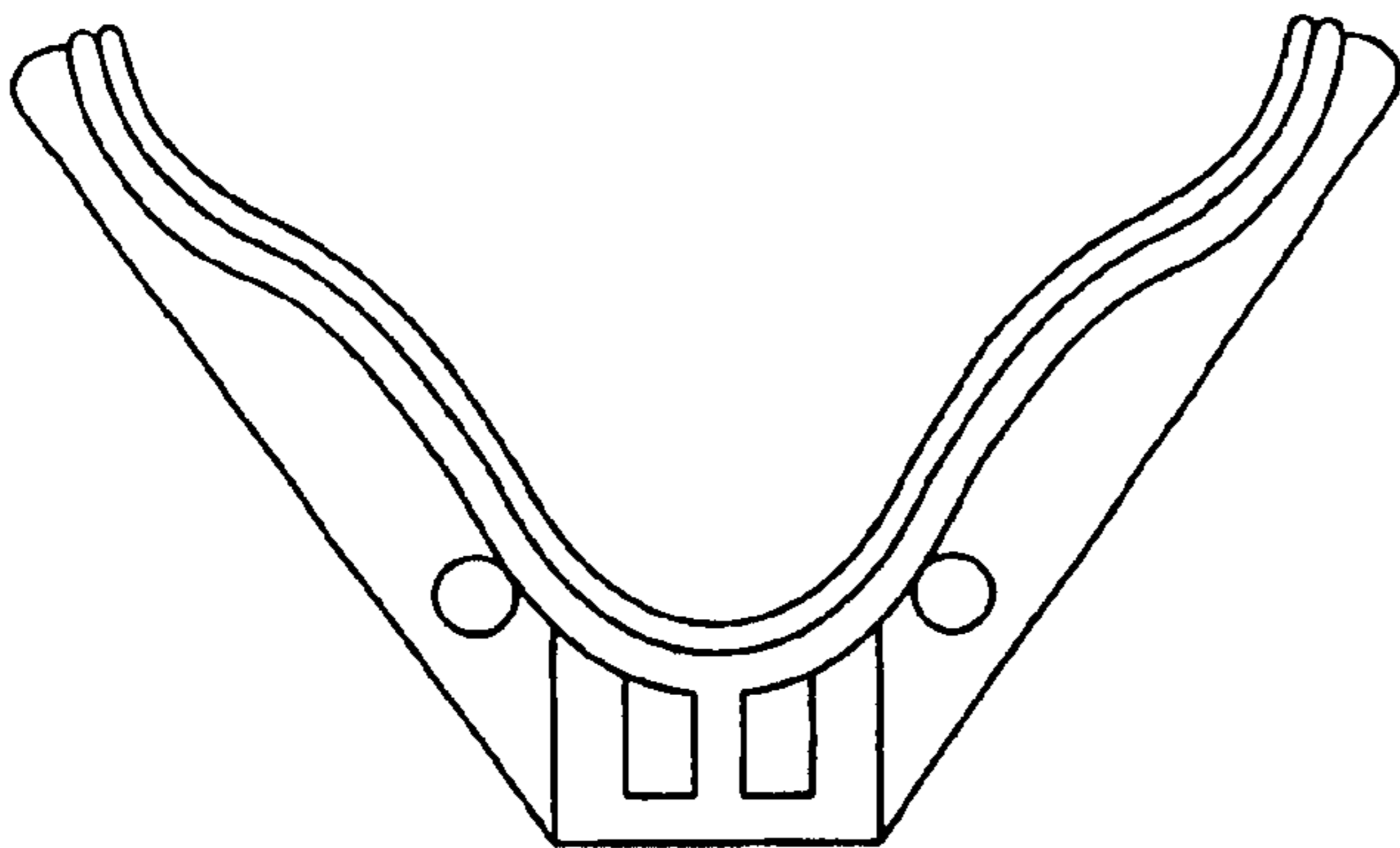


FIG. 3

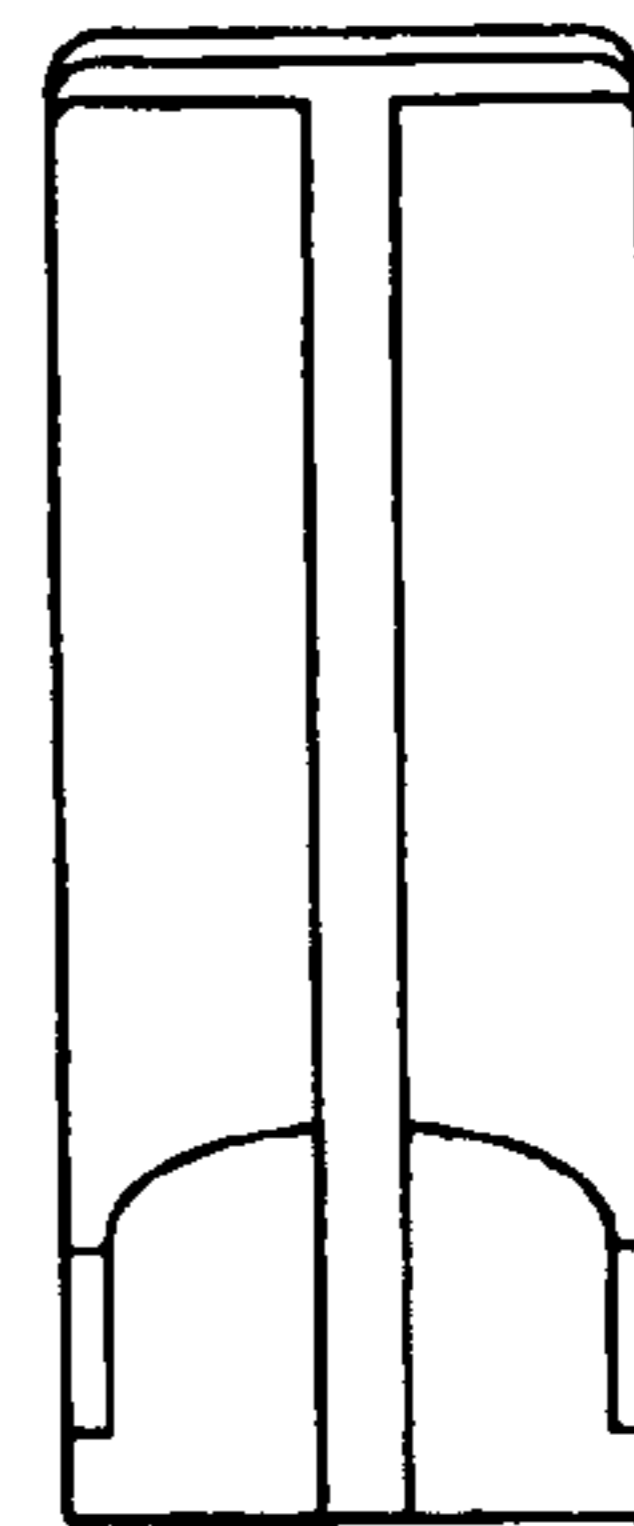


FIG. 4

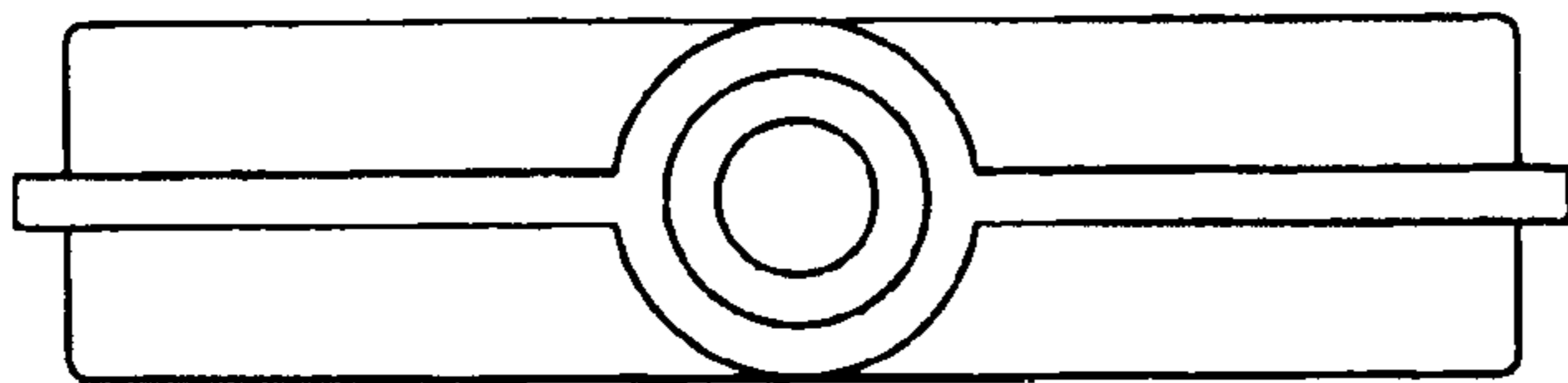


FIG. 6