

US00D503766S

(12) **United States Design Patent**
Gallenson et al.

(10) **Patent No.:** **US D503,766 S**
(45) **Date of Patent:** **** Apr. 5, 2005**

(54) **TOWABLE DIVE PLANE**
(75) Inventors: **Marvin J. Gallenson**, Salt Lake City, UT (US); **Jason Bohn**, South Jordan, UT (US); **Thomas L. Malcolm**, Davis, CA (US)
(73) Assignee: **Veldora L.L.P.**, Salt Lake City, UT (US)
(**) Term: **14 Years**

4,973,279 A * 11/1990 Baumann 441/135
5,007,871 A 4/1991 Dyer
5,178,090 A 1/1993 Carter
5,402,745 A * 4/1995 Wood 114/244
5,482,485 A * 1/1996 Ball 441/65
5,499,592 A 3/1996 Monfort
5,558,551 A * 9/1996 Irby 441/65
5,617,809 A * 4/1997 Arango 114/315
5,655,939 A 8/1997 Salvadores
5,970,900 A * 10/1999 Sheldon et al. 114/253
5,988,096 A 11/1999 Benesch et al.
6,145,462 A 11/2000 Aquino

(21) Appl. No.: **29/182,633**
(22) Filed: **May 28, 2003**

* cited by examiner

Primary Examiner—Lucy Lieberman
(74) *Attorney, Agent, or Firm*—TraskBritt

(51) **LOC (7) Cl.** **21-02**
(52) **U.S. Cl.** **D21/810**
(58) **Field of Search** D21/810, 769, D21/801, 803, 804, 807, 770; 114/253, 315, 244, 245; 441/65, 66, 68, 69, 72, 73, 75, 79, 55, 56, 58

(57) **CLAIM**

The ornamental design for a towable dive plane, as shown and described.

DESCRIPTION

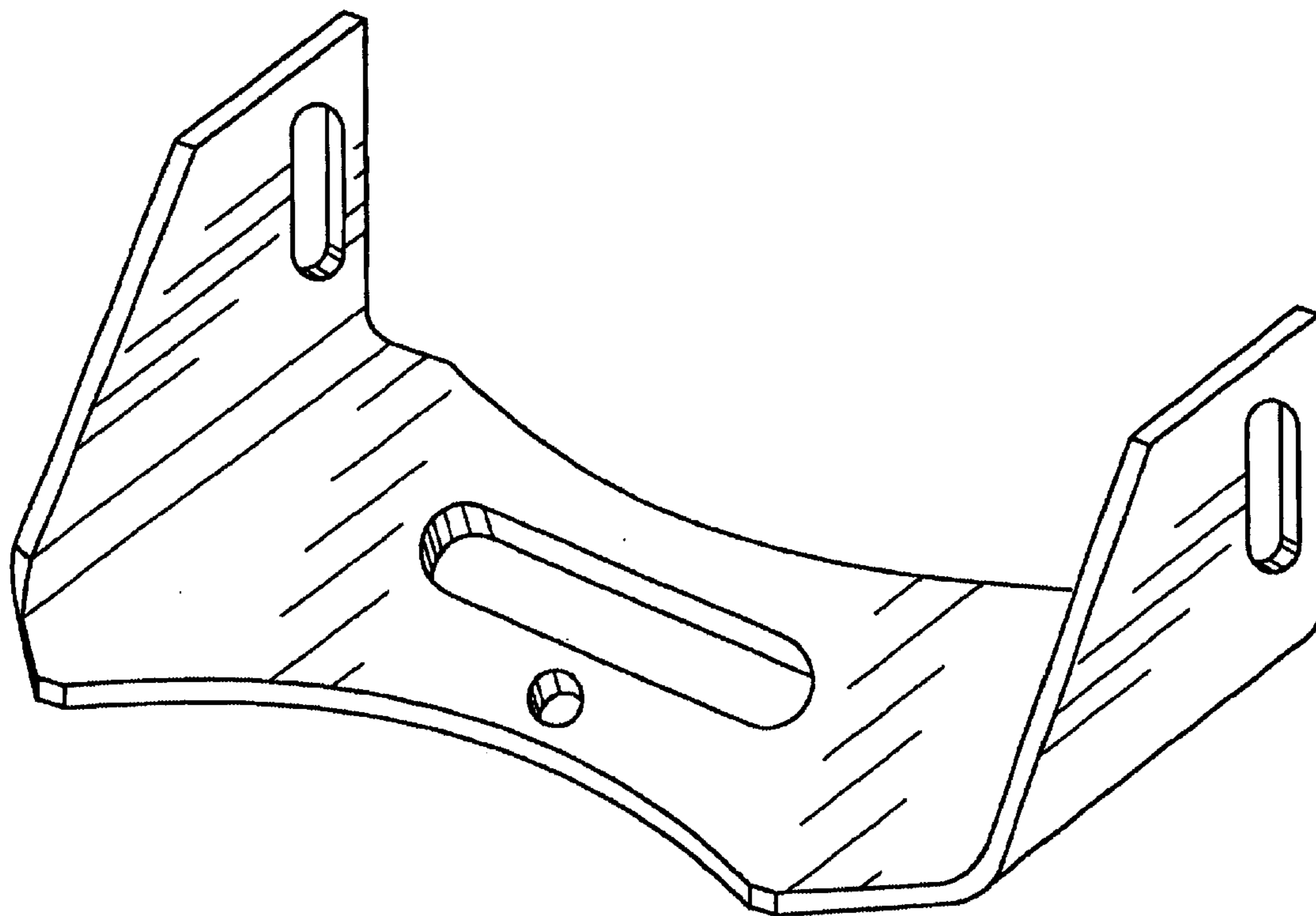
(56) **References Cited**

U.S. PATENT DOCUMENTS

3,084,653 A * 4/1963 Lepine et al. 114/245
3,107,640 A * 10/1963 Lepine et al. 114/245
3,163,148 A * 12/1964 Duren et al. 114/245
3,625,172 A * 12/1971 Gilster 114/245
D239,727 S * 4/1976 Sturmer D21/803
D272,259 S 1/1984 Meister
D273,127 S 3/1984 Meister
4,624,207 A 11/1986 King

FIG. 1 is a perspective view of a towable dive plane showing our design;
FIG. 2 is a top plan view of our design;
FIG. 3 is a rear side view thereof;
FIG. 4 is a bottom plan view thereof;
FIG. 5 is a right side thereof;
FIG. 6 is a front side view thereof; and,
FIG. 7 is a left side view thereof.

1 Claim, 3 Drawing Sheets



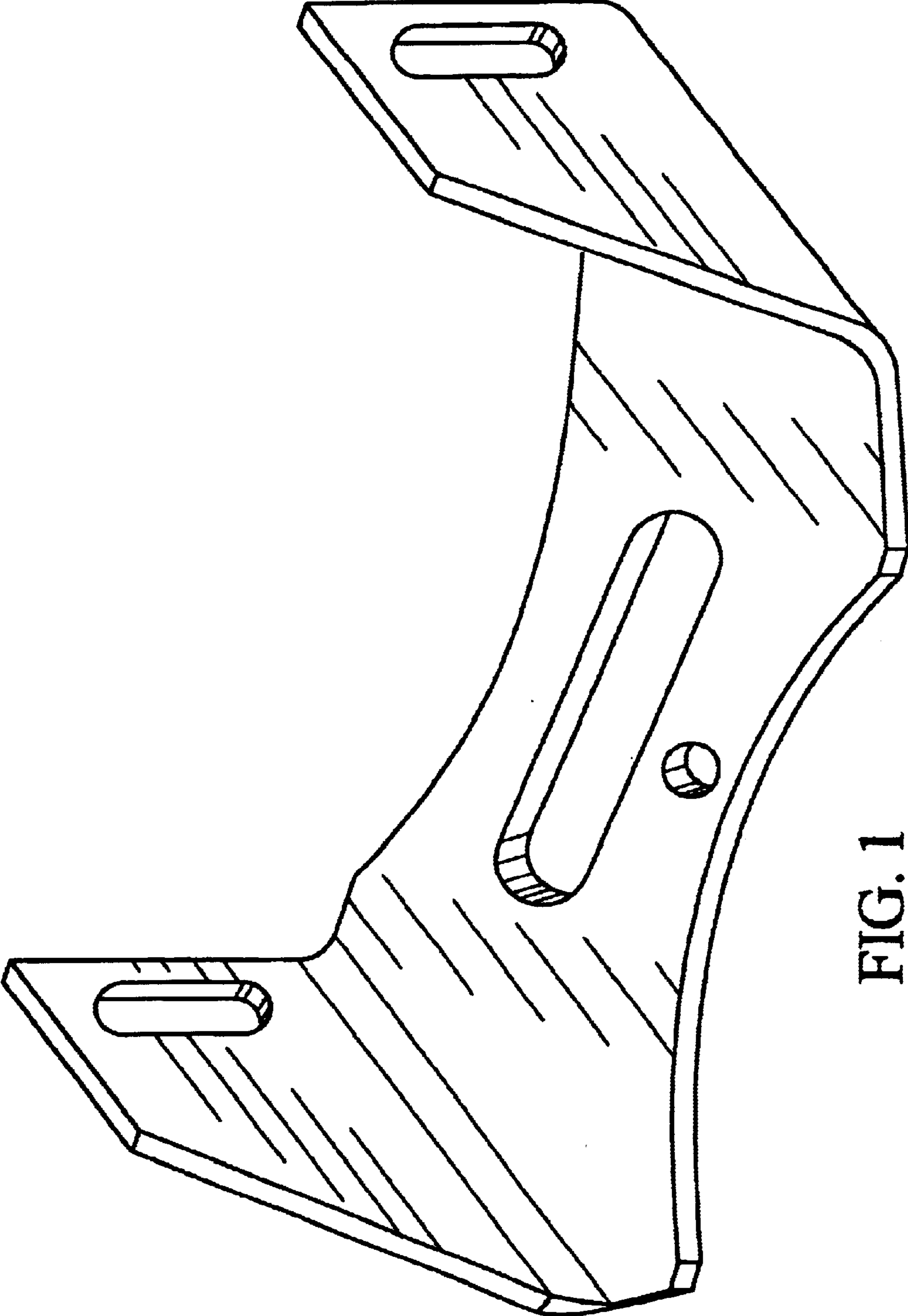


FIG. 1

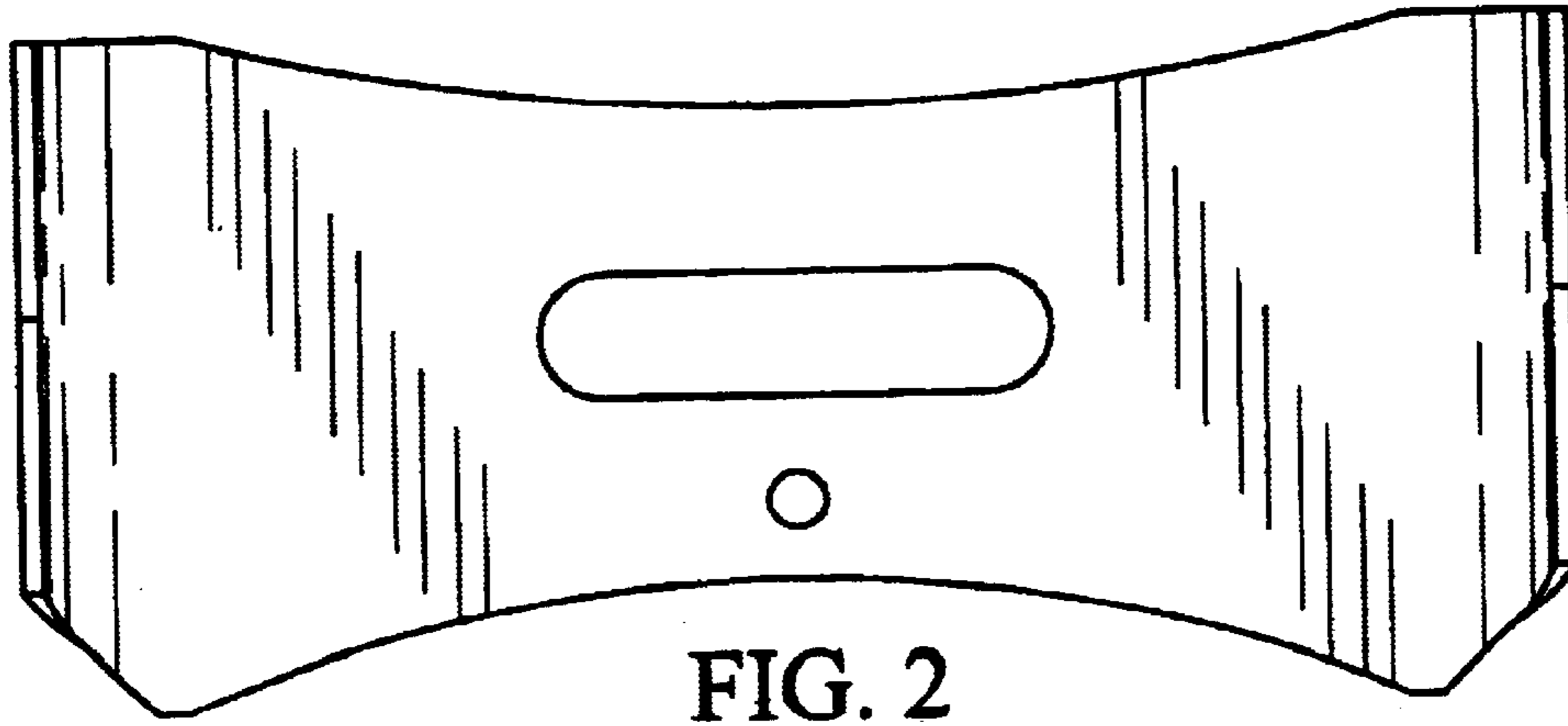


FIG. 2



FIG. 3

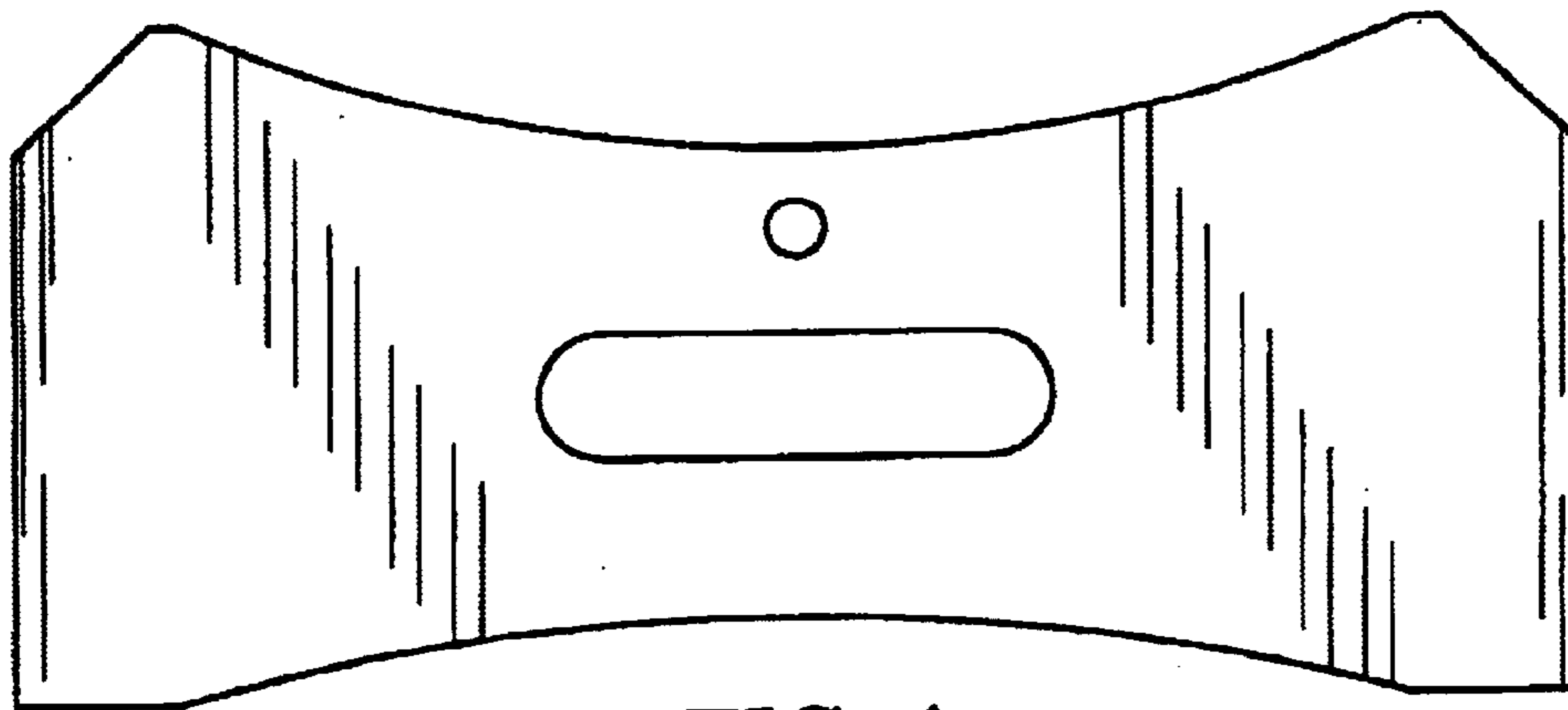


FIG. 4

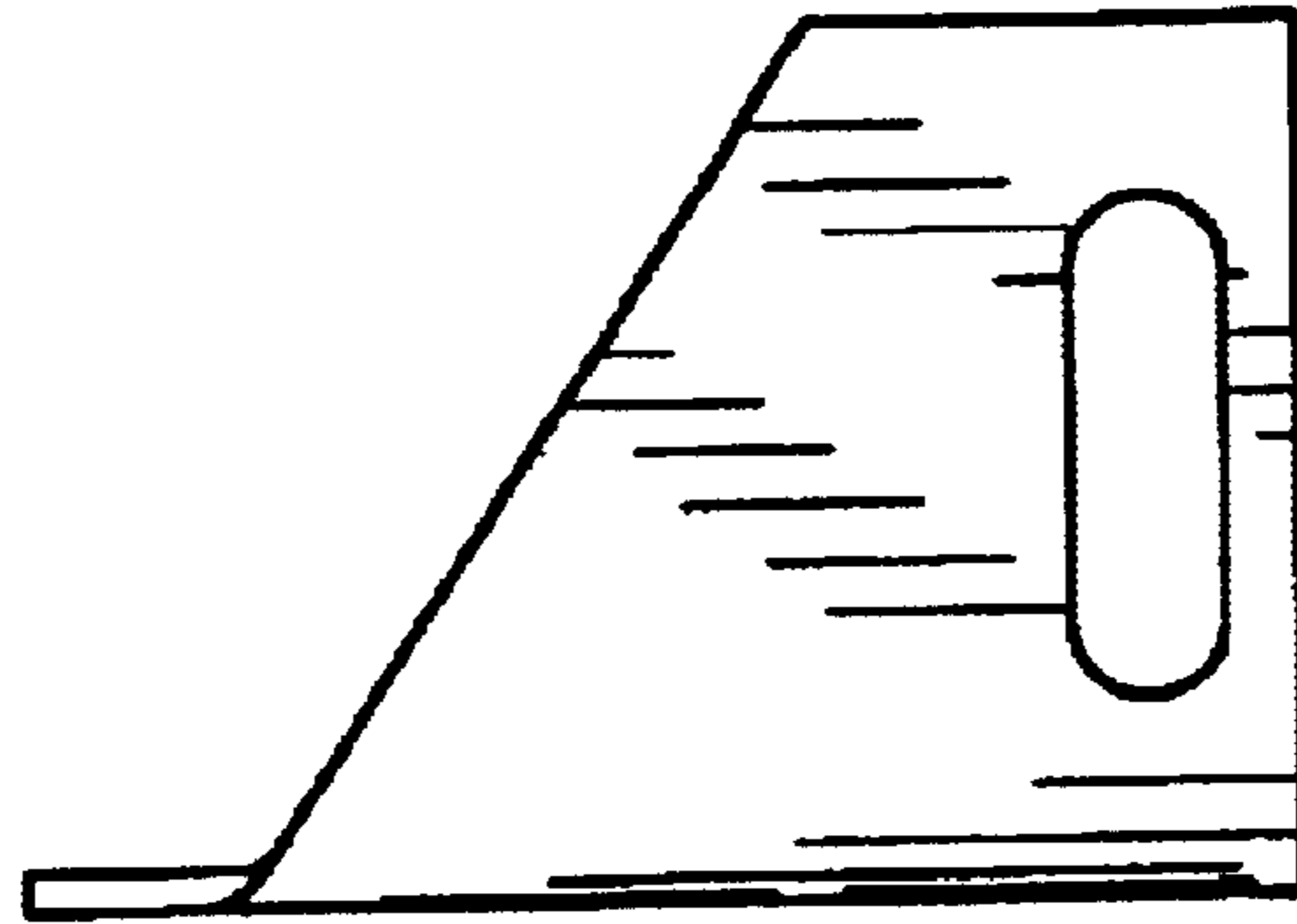


FIG. 5

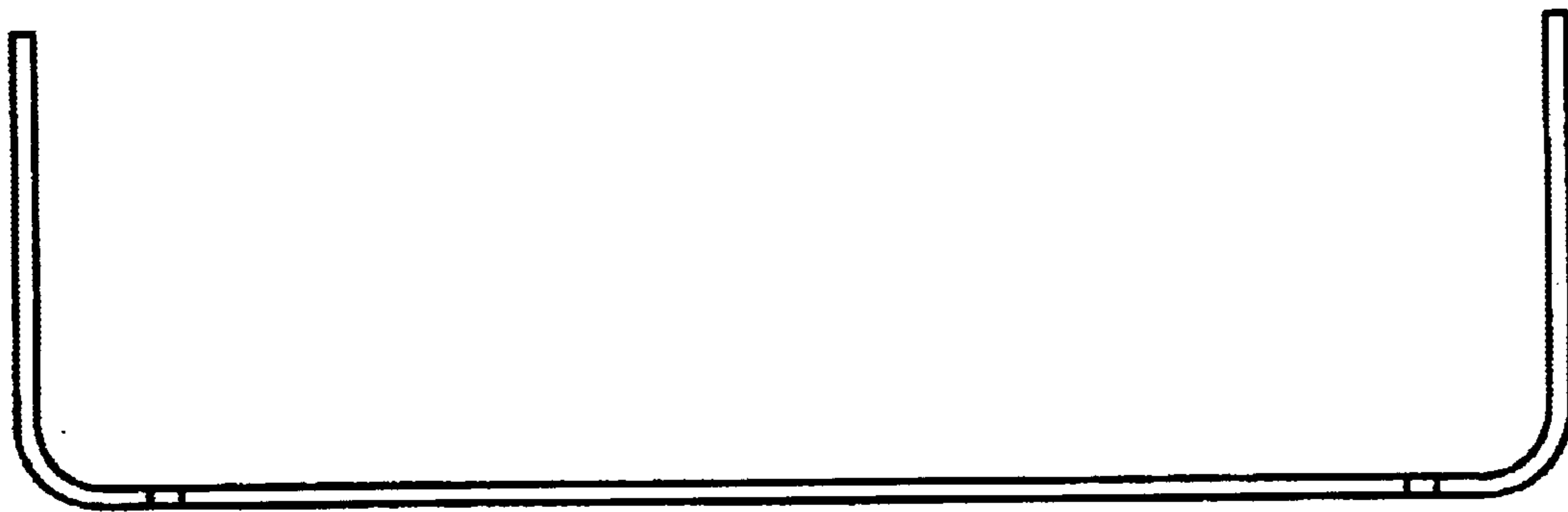


FIG. 6

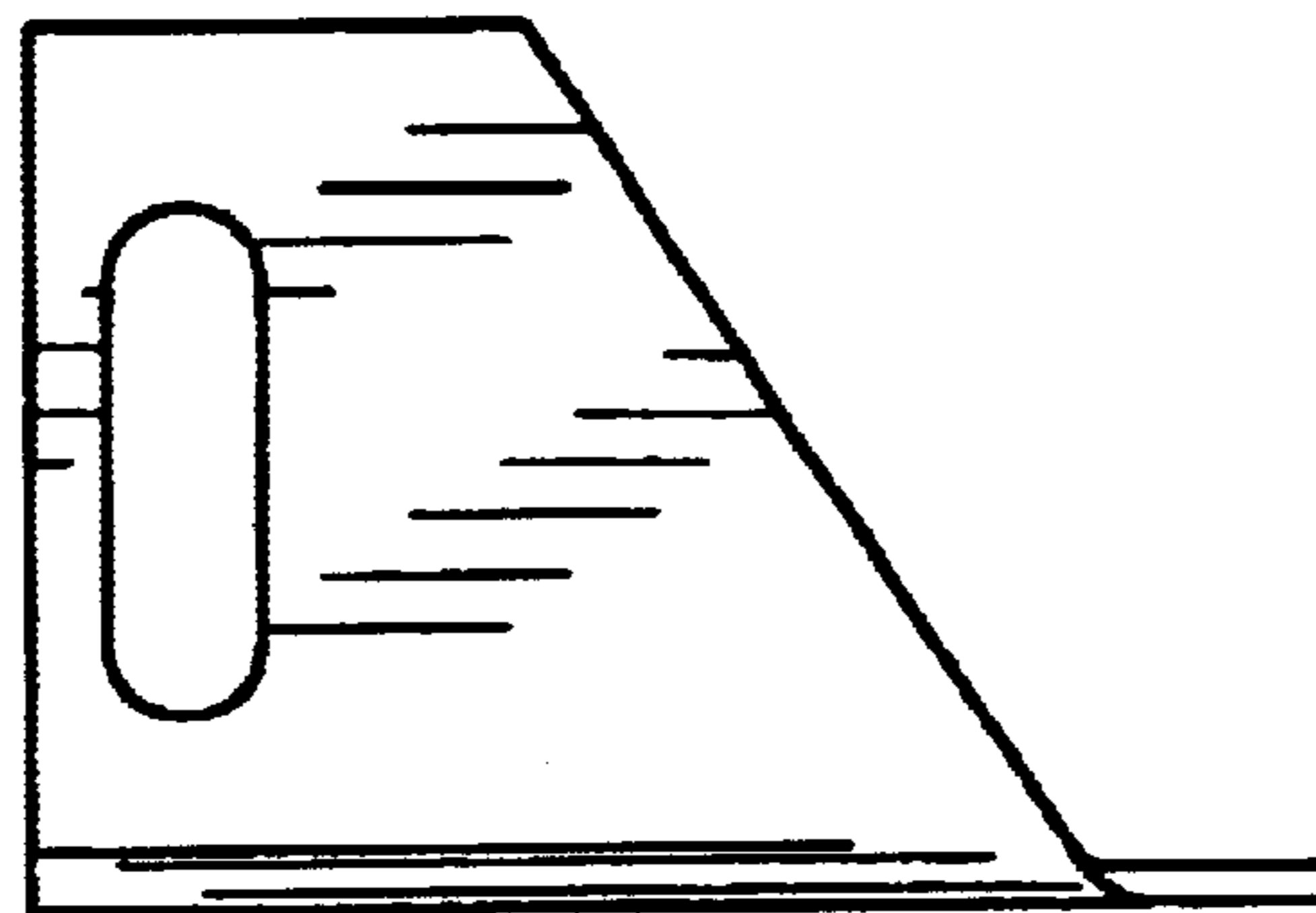


FIG. 7