



US00D503756S

(12) **United States Design Patent**
Chiang

(10) **Patent No.:** **US D503,756 S**
(45) **Date of Patent:** **** Apr. 5, 2005**

(54) **GYMNASTIC BALL**

D479,864 S * 9/2003 Maham D21/662

(76) **Inventor:** **Chung-Lieh Chiang**, No. 30, Tai Yi
1st, Jen-Teh Hsiang, Tainan Shien (TW)

OTHER PUBLICATIONS

Hugger Mugger Catalog, Fall 2002, p. 18, Ball Kit.*

(**) **Term:** **14 Years**

* cited by examiner

(21) **Appl. No.:** **29/197,739**

Primary Examiner—Philip S. Hyder

(22) **Filed:** **Jan. 21, 2004**

(74) *Attorney, Agent, or Firm*—Bacon & Thomas PLLC

(51) **LOC (7) Cl.** **21-02**

(57) **CLAIM**

(52) **U.S. Cl.** **D21/662**

The ornamental design for a gymnastic ball, as shown and described.

(58) **Field of Search** D21/662, 673,
D21/692, 713; 482/34, 123, 126, 77, 129,
148; 473/423, 506, 508

DESCRIPTION

(56) **References Cited**

FIG. 1 is a perspective view of a gymnastic ball showing my new design;

U.S. PATENT DOCUMENTS

FIG. 2 is a front elevational view thereof;

D347,868 S * 6/1994 Hill D21/662

FIG. 3 is a rear elevational view thereof;

D353,419 S * 12/1994 Sprague D21/686

FIG. 4 is a left side elevational view thereof;

D370,951 S * 6/1996 Lazar D21/692

FIG. 5 is a right side elevational view thereof;

5,735,776 A * 4/1998 Swezey et al. 482/91

FIG. 6 is a top plan view thereof; and,

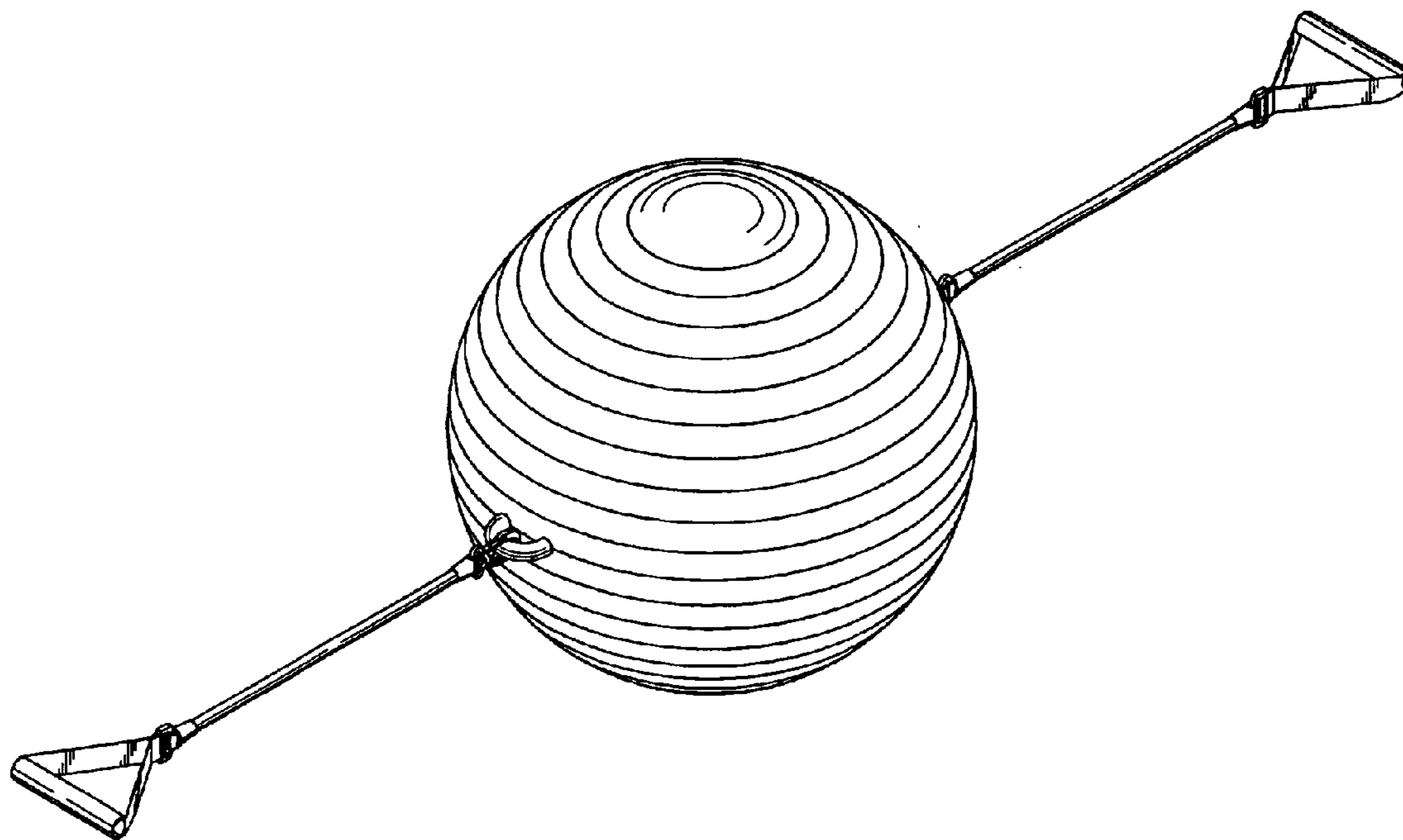
5,810,700 A * 9/1998 Orcutt 482/123

FIG. 7 is a bottom plan view thereof.

5,833,587 A * 11/1998 Strong et al. 482/123

6,475,125 B1 * 11/2002 Roberts 482/123

1 Claim, 6 Drawing Sheets



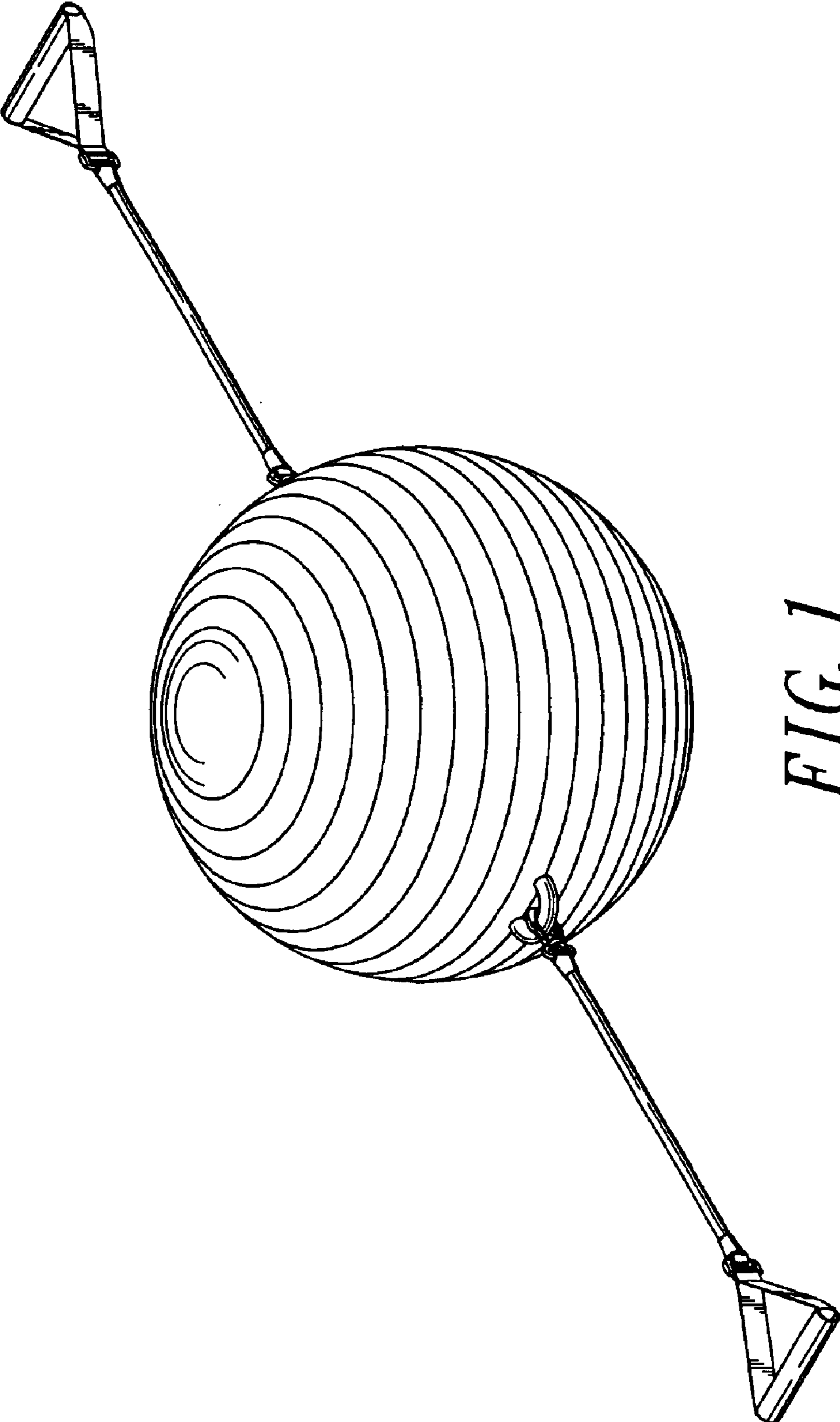


FIG. 1

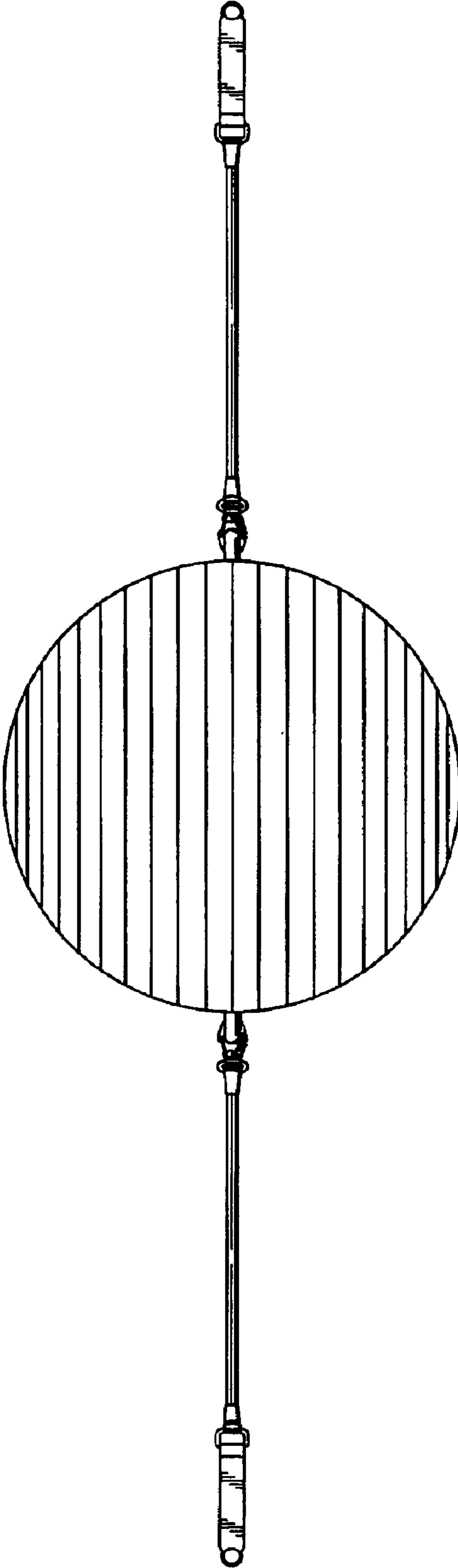


FIG. 2

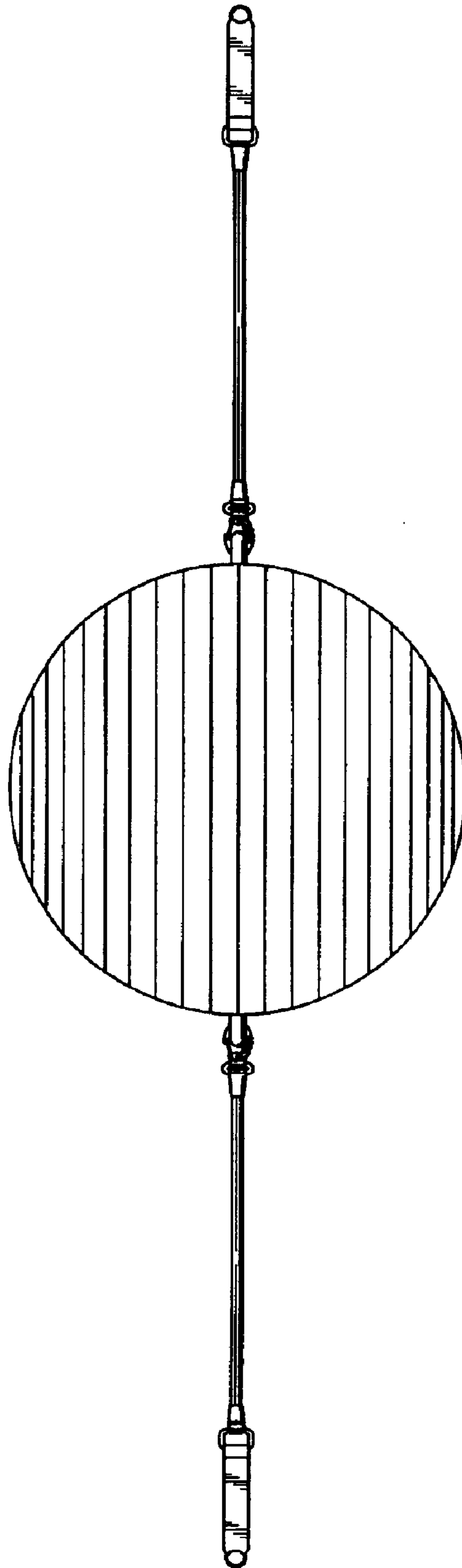


FIG. 3

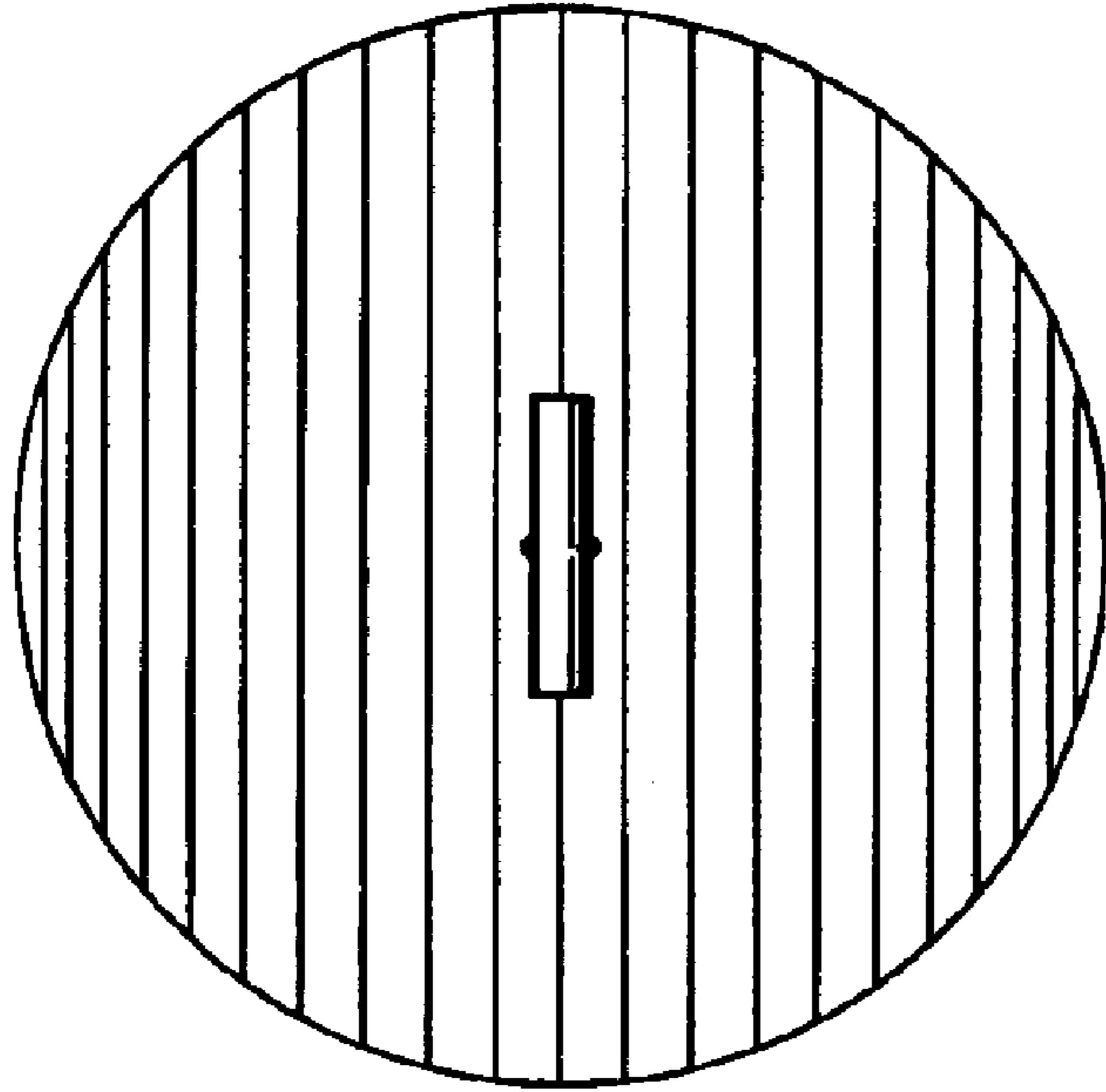


FIG. 5

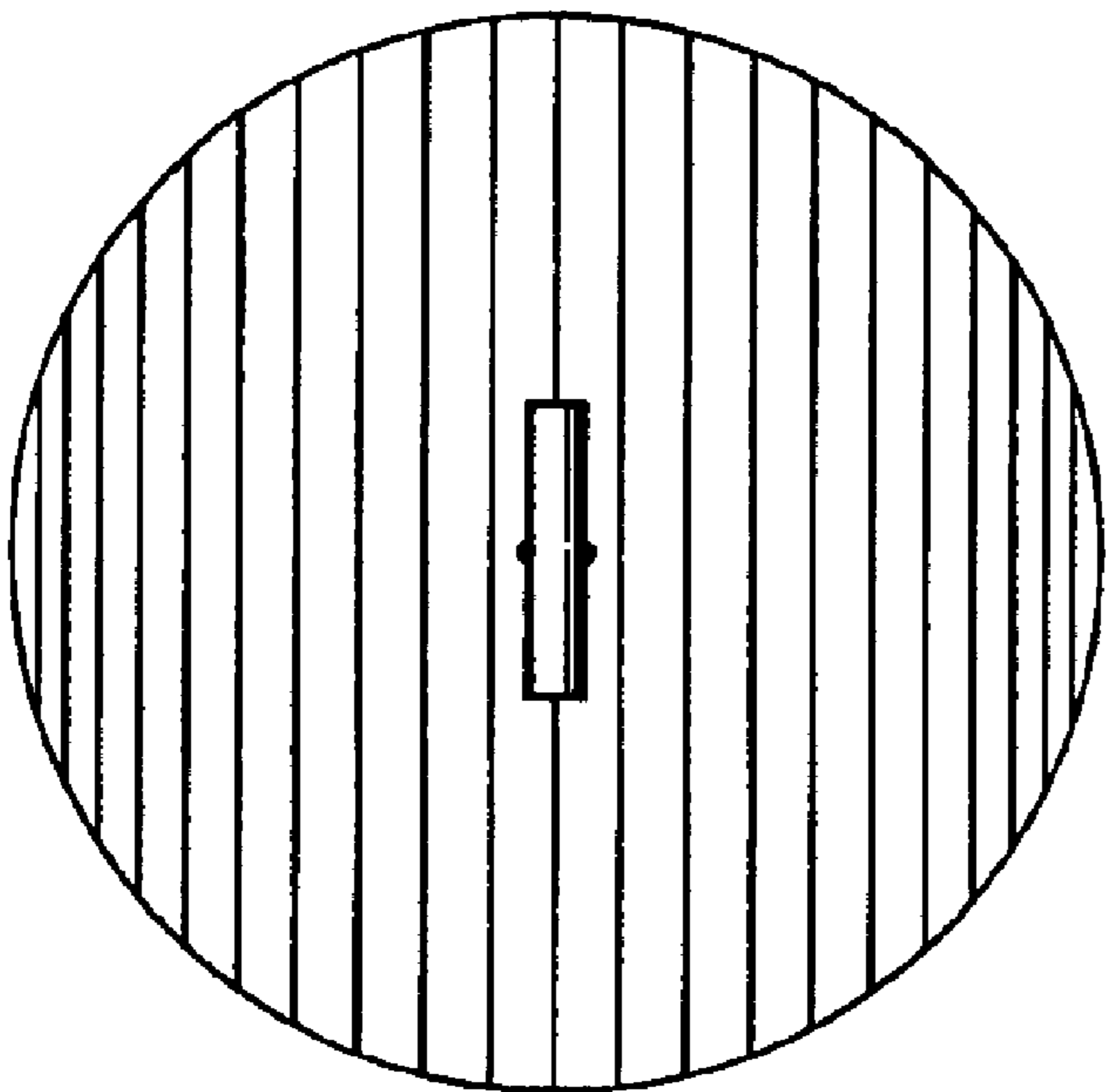


FIG. 4

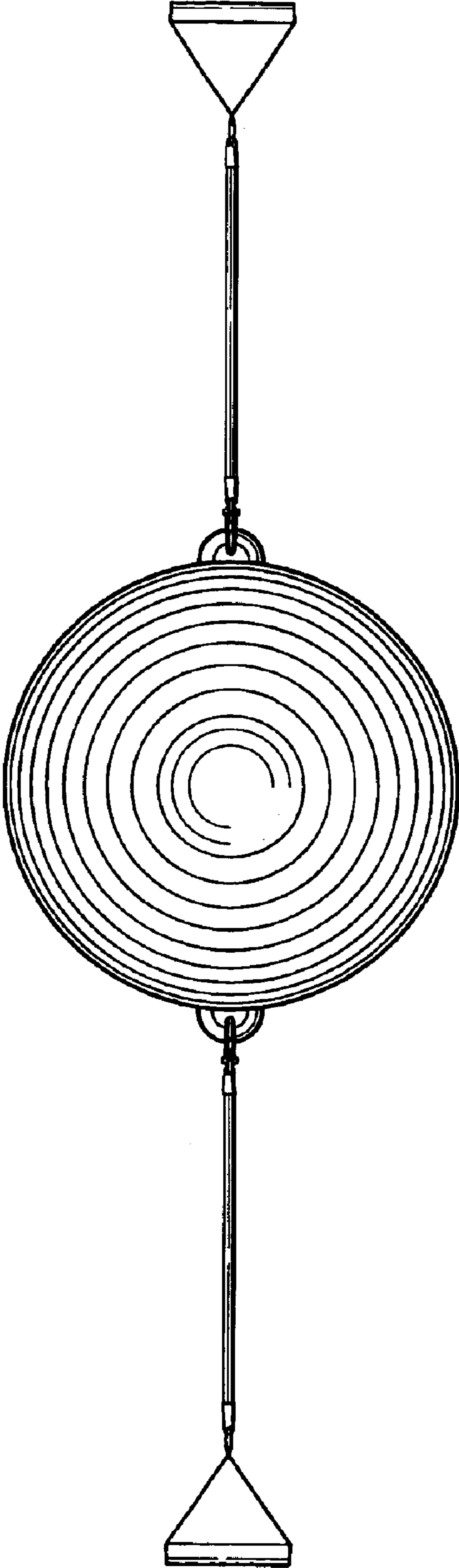


FIG. 6

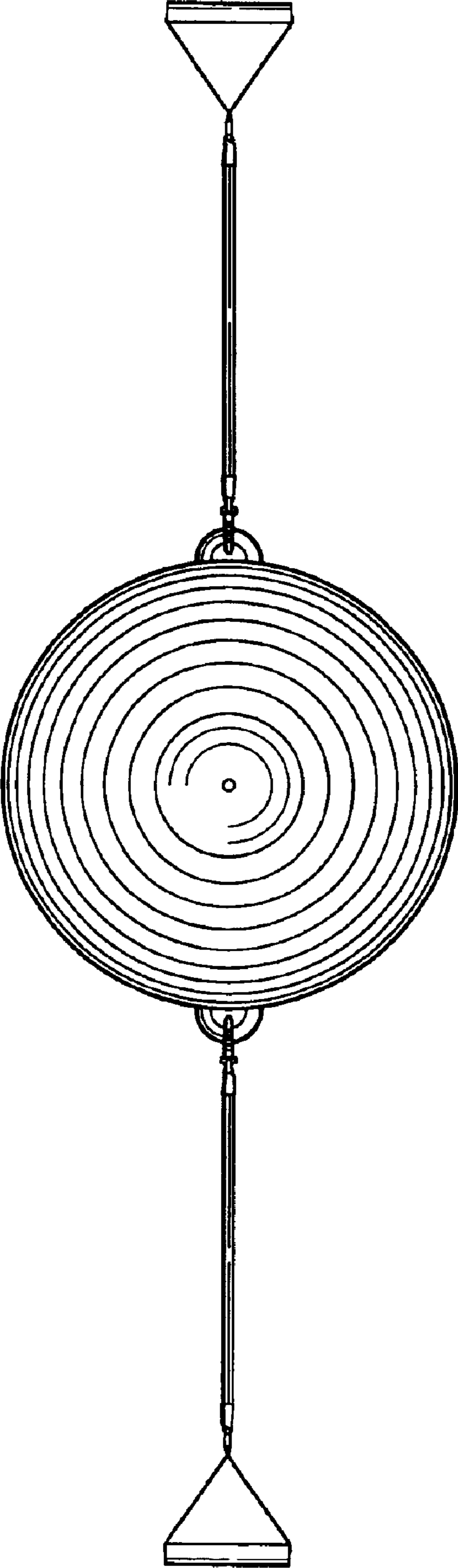


FIG. 7