

US00D503754S

(12) **United States Design Patent**
Winston

(10) **Patent No.:** **US D503,754 S**

(45) **Date of Patent:** **** Apr. 5, 2005**

(54) **RADIO CONTROLLED SUBMARINE**

D415,464 S * 10/1999 Frechette D12/308

(76) **Inventor:** **Peter R. Winston**, P.O. Box 432,
Englishtown, NJ (US) 07726

* cited by examiner

(**) **Term:** **14 Years**

Primary Examiner—Raphael Barkai
(74) *Attorney, Agent, or Firm*—Lilling & Lilling P.C.

(21) **Appl. No.:** **29/197,976**

(57) **CLAIM**

(22) **Filed:** **Jan. 22, 2004**

The ornamental design for a radio controlled submarine, as shown.

(51) **LOC (7) Cl.** **21-01**

DESCRIPTION

(52) **U.S. Cl.** **D21/545**

(58) **Field of Search** D21/542–547;
D12/300–318; 114/331–332; 446/153–155,
160–165

FIG. 1 is a front perspective view of my new and novel design;

FIG. 2 is a top view of my new and novel design;

FIG. 3 is a side view of my new and novel design;

FIG. 4 is a front view of my new and novel design;

FIG. 5 is a rear view of my new and novel design; and,

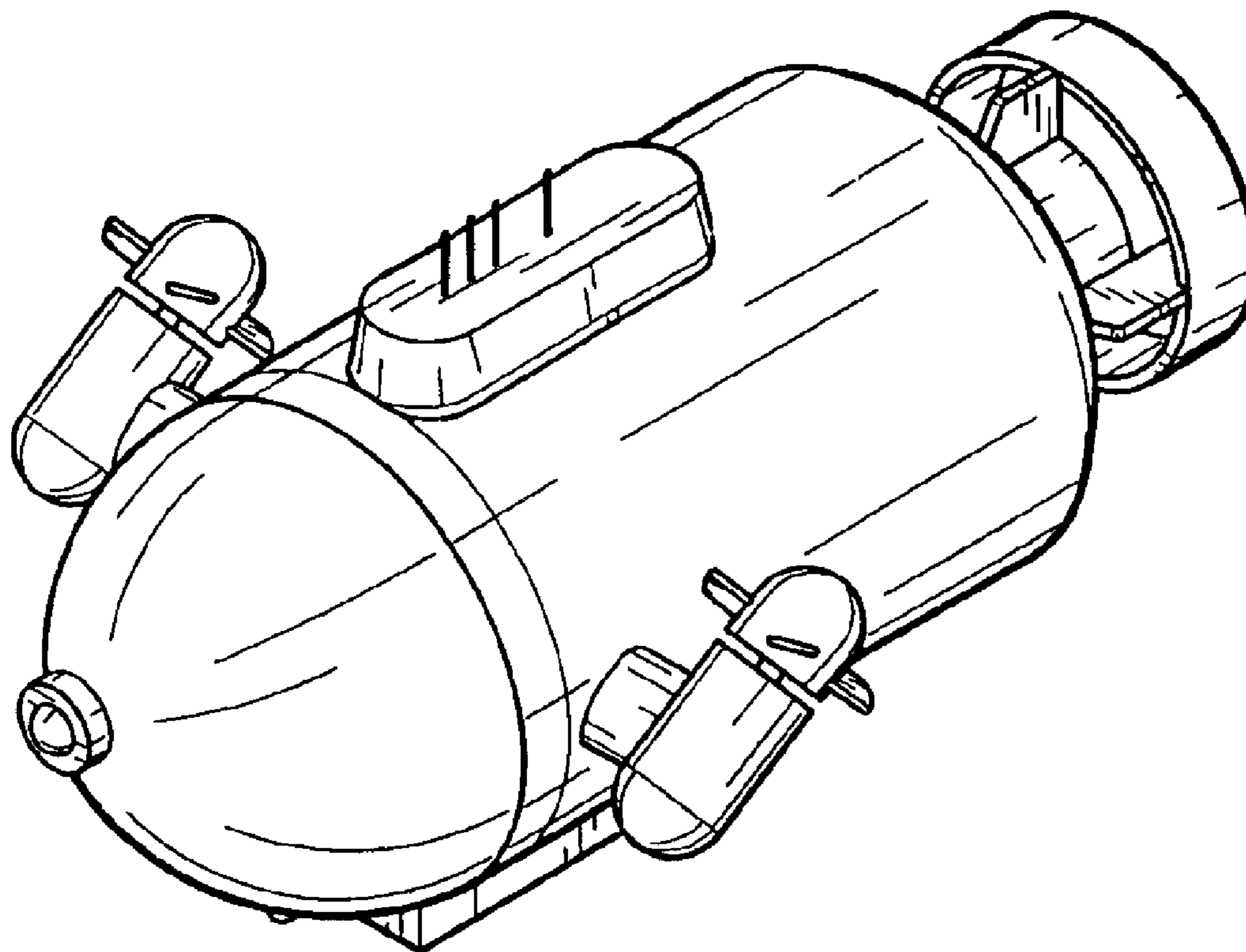
FIG. 6 is a bottom side view of my new and novel design.

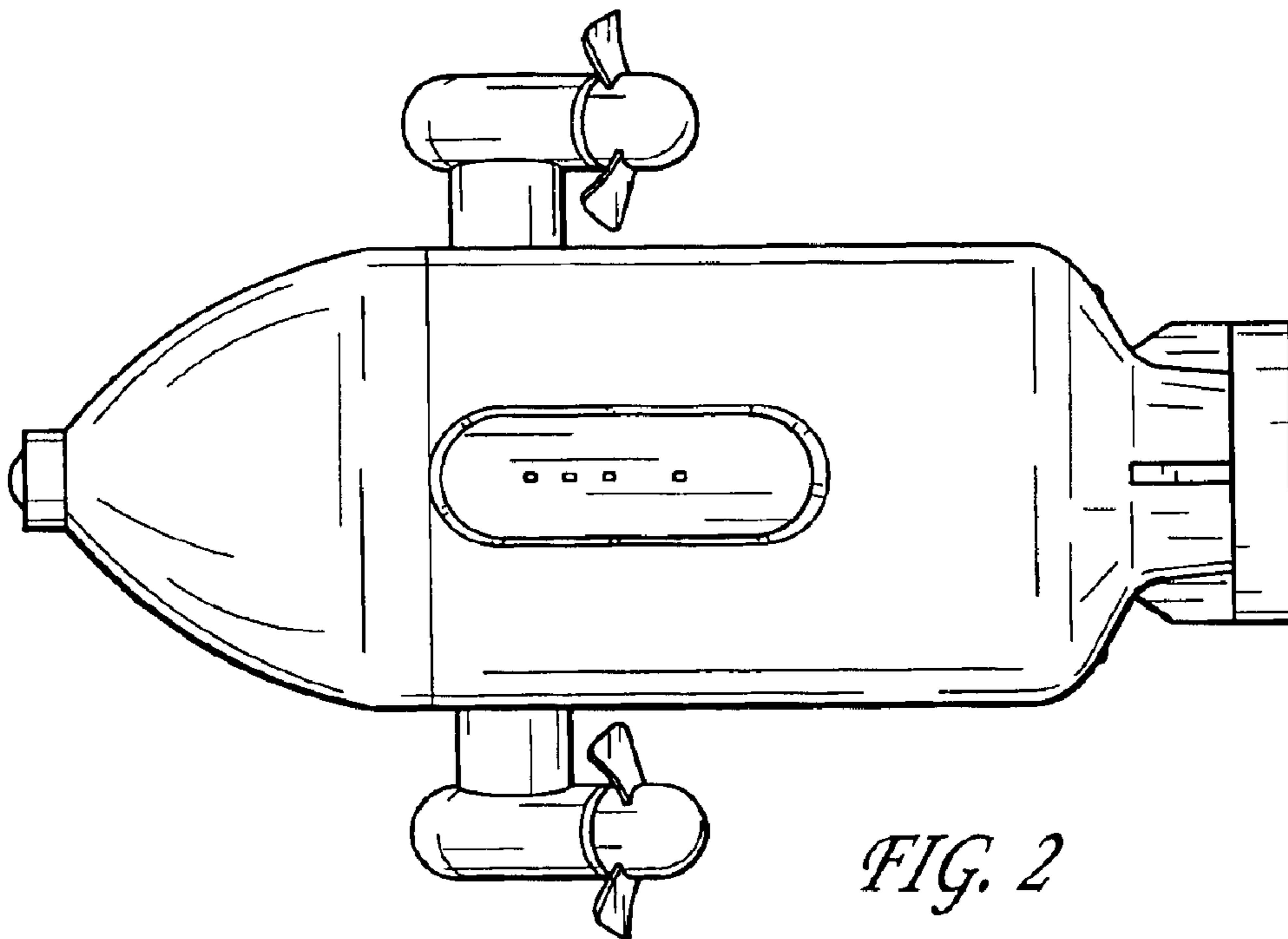
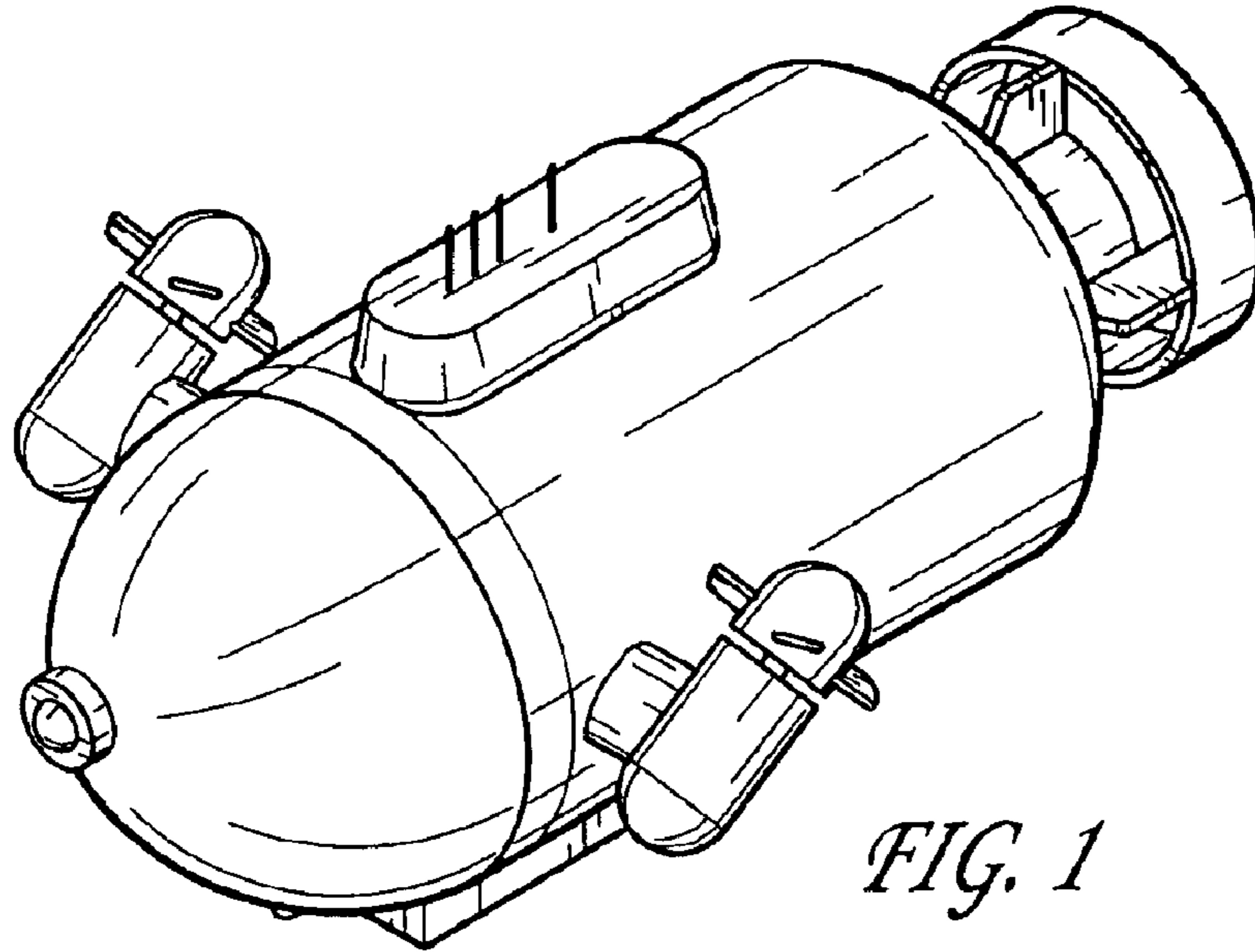
(56) **References Cited**

U.S. PATENT DOCUMENTS

2,214,270 A * 9/1940 Buehler 446/162
D245,529 S * 8/1977 Hudson et al. D21/545
D326,692 S * 6/1992 Taylor et al. D21/545

1 Claim, 3 Drawing Sheets





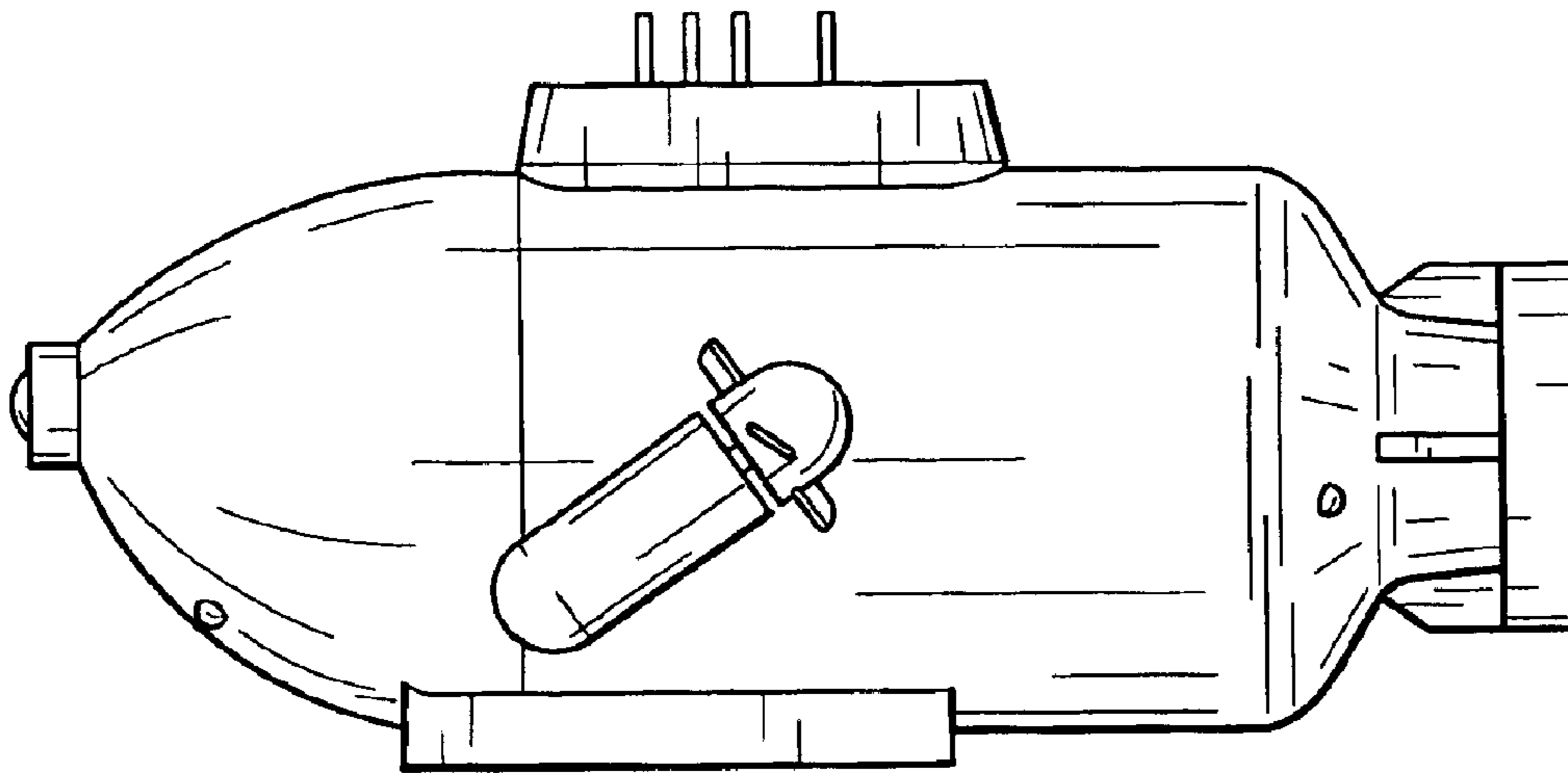


FIG. 3

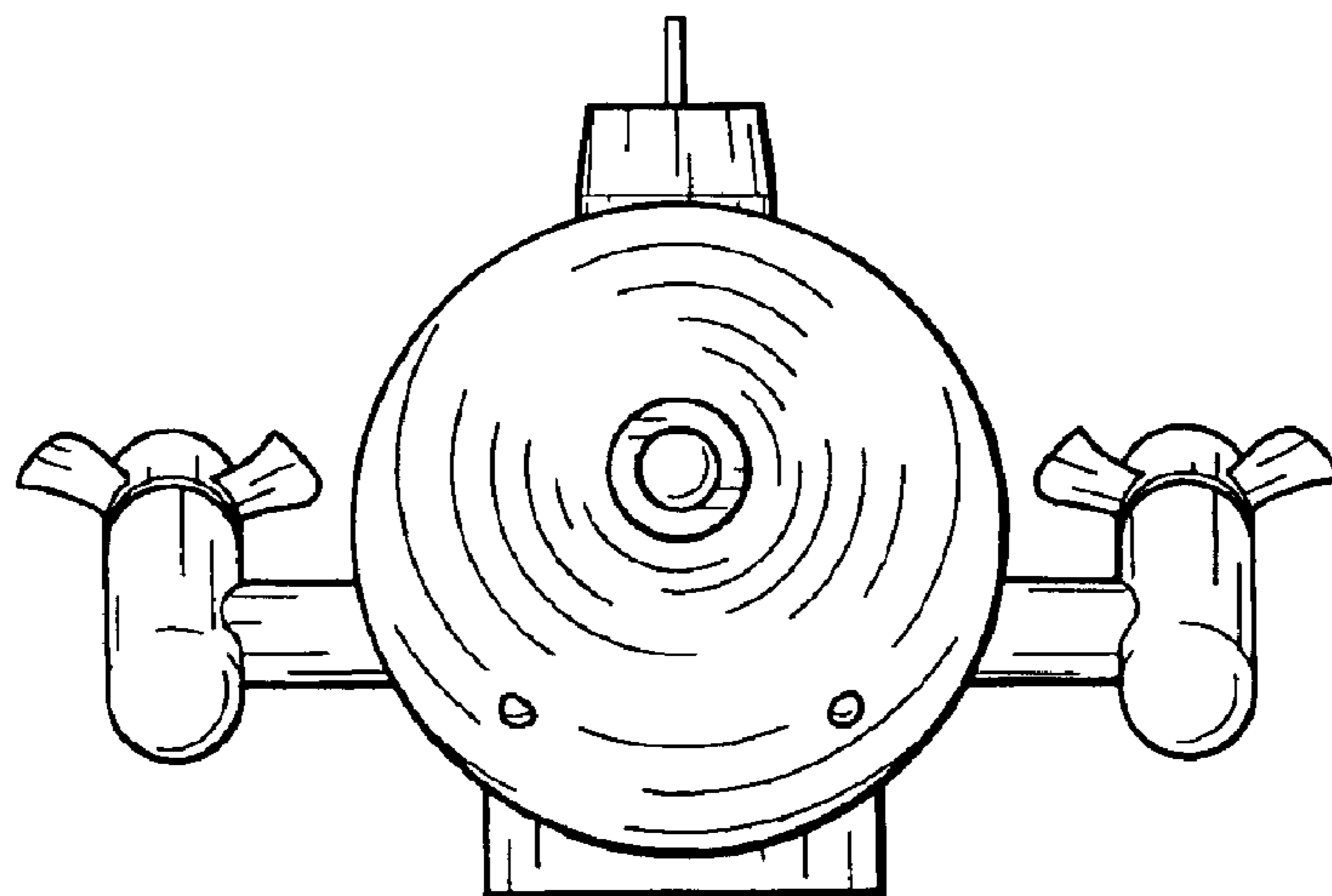


FIG. 4

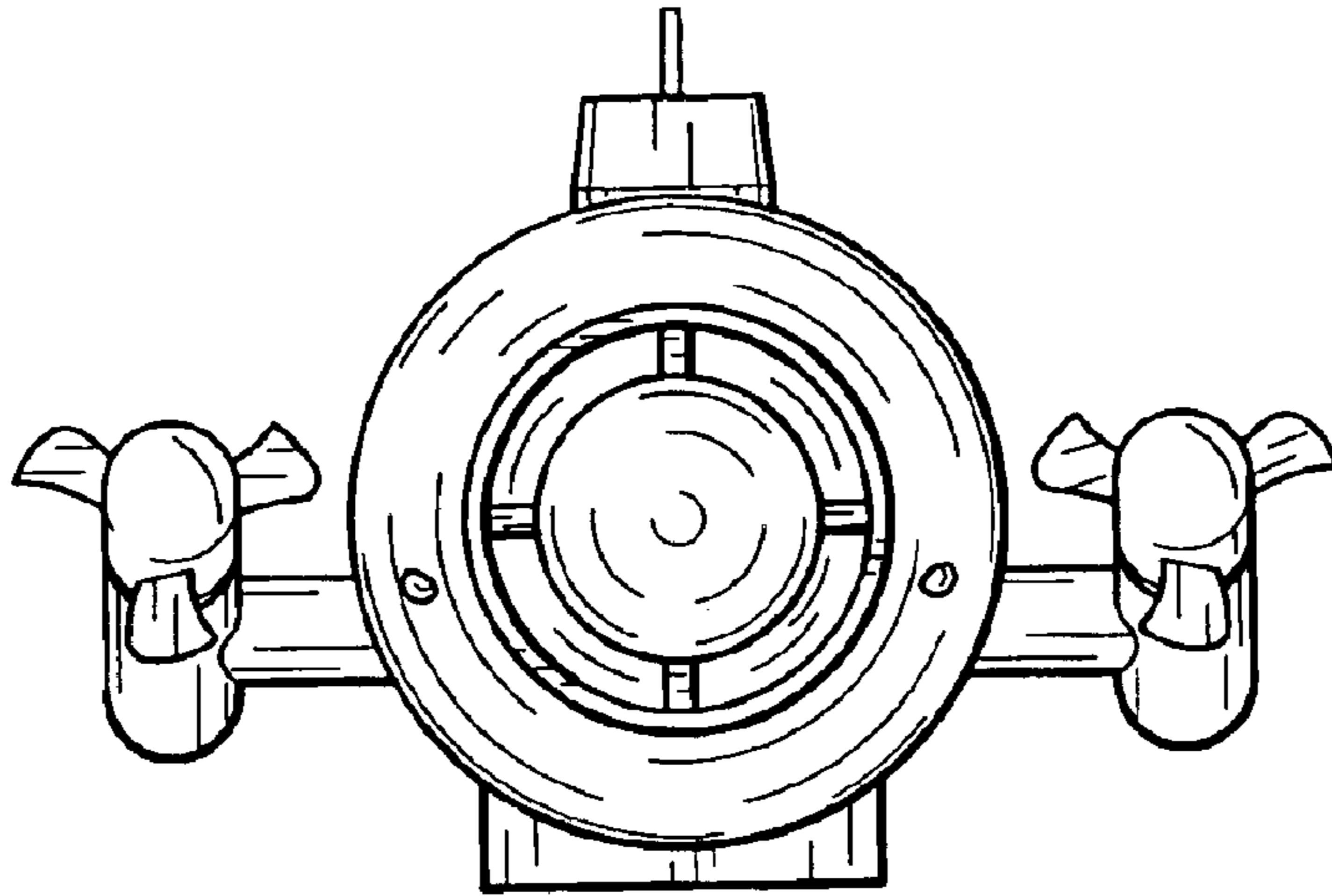


FIG. 5

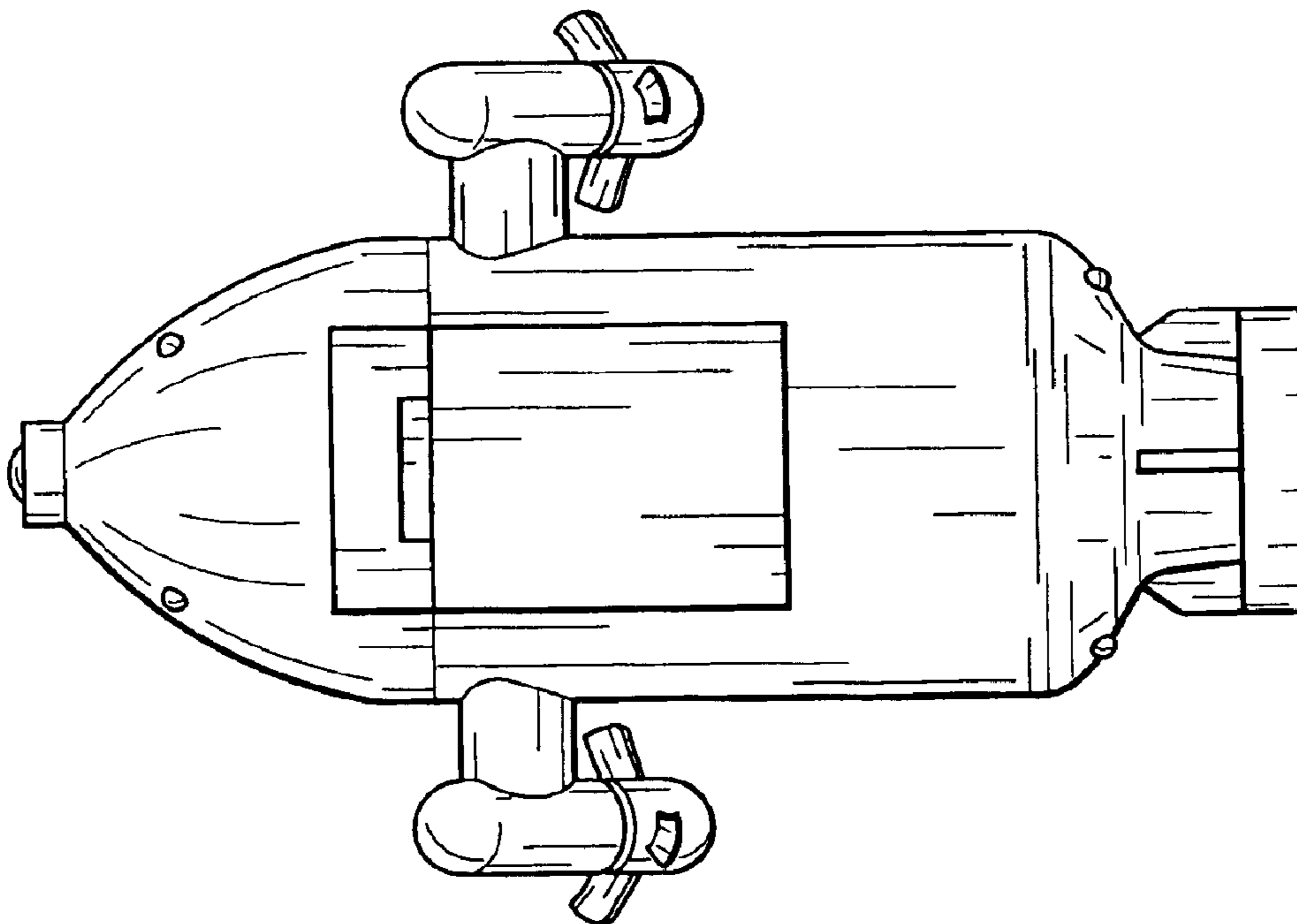


FIG. 6